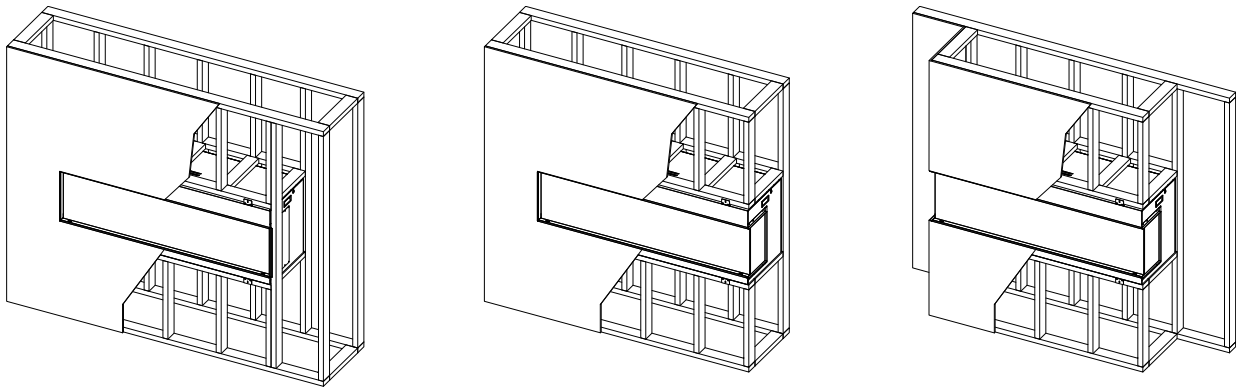


Osseo X-Series

Multi-sided Holographic Electric Fireplace

Model #OSO-x64



WARNING

Read and understand the entire installation and operation manual, including all safety information, before plugging in or using this product. Failure to do so may result in fire, electric shock, or serious personal injury.

This fireplace meets the construction and safety standards of H.U.D. for application in manufactured homes when installed according to these instructions.

English installation manuals are available through your local dealer or website.

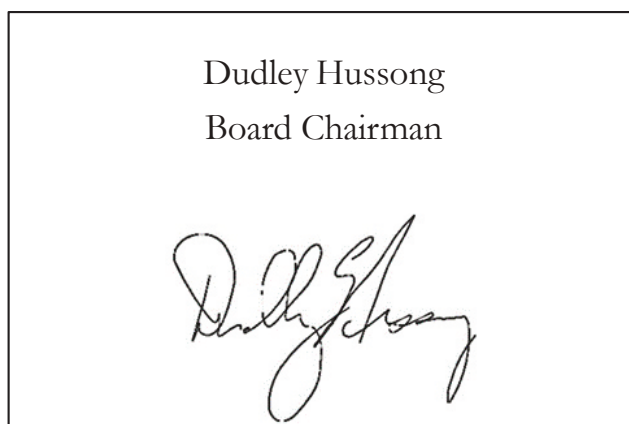
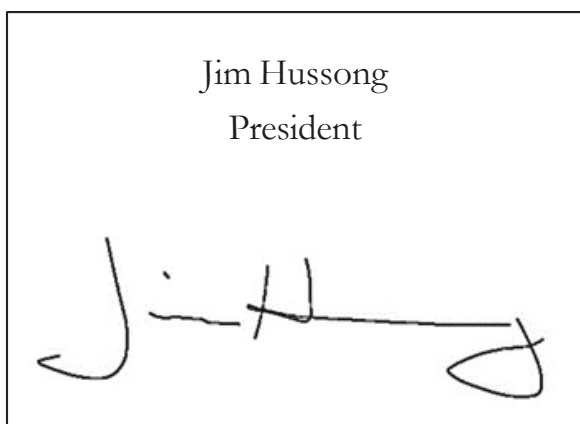
Visit our website www.kozyheat.com

INSTALLER: Leave this manual with the appliance.

CONSUMER: Retain this manual for future reference.

CONGRATULATIONS

We welcome you as a new owner of a Kozy Heat electric fireplace. Kozy Heat products are designed with superior components and materials, and assembled by trained craftsmen who take pride in their work. Our commitment to quality and customer satisfaction has remained the same for over 40 years. We offer a complete line of gas, wood, and electric fireplaces, along with stylish accessories to complement any decor. Adding a fireplace is one of the best ways to increase the value of your home, and we are proud to offer a network of dealers throughout the country to help make your experience everything you imagine. We pride ourselves in being dedicated not only to functionality and reliability, but also customer safety. We offer our continual support and guidance to help you achieve the maximum benefit and enjoyment from your Kozy Heat electric fireplace.



Read this manual before installing or operating this appliance

Please retain this owner's manual for future reference.

Homeowner Reference Information

We recommend you record the following Information:

Model Name: _____

Date Purchased / Installed: _____

Serial Number: _____

Location of fireplace: _____

Dealership purchased from: _____

Dealership phone number: _____

Notes: _____

Table of Contents

1.0 Introduction.....	9
1.1 Appliance Certification	9
1.2 California Proposition 65 Warning.....	9
1.3 Electrical Specifications	9
1.4 Appliance Preparation	9
1.5 Parts and Hardware	9
1.6 Appliance Dimensions	10
2.0 Assembly and Installation.....	11
2.1 Installation Planning	11
2.2 Selecting Your Installation Options	11
2.3 Appliance Preparation for Installation	12
2.4 Nailing Flange Installation.....	13
2.5 Clearance to Combustibles	14
2.6 Framed Appliance Opening	15
2.7 Rectangle Surround - Purpose and Installation	18
2.8 4-Piece Finishing Trim Installation	24
2.9 Electrical Connection	25
3.0 Facing and Finishing.....	26
3.1 Mantel Requirements	26
3.2 Finishing Material Information	27
4.0 Appliance Setup.....	29
4.1 Glass Front Removal and Installation.....	29
4.2 Holographic Glass Removal and Installation.....	30
4.3 Log Set Installation	31
5.0 Operating Instructions	32
5.1 Methods of Operation	32
5.2 Pairing the Remote to the Appliance.....	32
5.3 Appliance Control Panel Operation	32
5.4 Remote Control Operation	33
6.0 Maintenance.....	35
7.0 Replacement Parts List	36
Limited Lifetime Warranty.....	38

Important Instructions

When using electrical appliances, basic precautions should always be followed to reduce the risk of fire, electric shock, and injury to persons, including the following:

1. Read all instructions before installing or using the heater.
2. This heater is hot when in use. To avoid burns, do not let bare skin touch hot surfaces. Keep combustible materials, such as furniture, pillows, bedding, papers, clothes, etc. and curtains at least 36" (914mm) from the front of the heater.
3. Extreme caution is necessary when any heater used by or near children or invalids and whenever the heater is left operating and unattended.
4. Do not operate any heater after it malfunctions. Disconnect power at service panel and have heater inspected by an authorized Kozy Heat dealer before reusing.
5. Do not use outdoors.
6. To disconnect the heater, turn the controls to OFF, and turn off the power to the heater circuit at the main disconnect panel.
7. Do not insert or allow foreign objects to enter any ventilation or exhaust opening, as this may cause an electric shock, fire, or damage to the heater.
8. To prevent a possible fire, do not block air intakes or exhaust in any manner not approved by the manufacturer.
9. A heater has hot and arcing or sparking parts inside. Do not use in areas where gasoline, paint, flammable vapors, or liquids are used or stored.
10. Use this heater only as described in this manual. Any other use not recommended by Hussong Mfg. Co., Inc. may cause fire, electric shock, or injury to persons.
11. ALWAYS plug the heater directly into a wall outlet/receptacle with the power cord. NEVER use with an extension cord or relocation power tap (outlet/power strip).
12. AVOID FIRE! Inspect all air vents to make sure they are free from dust, lint, or other blockage before use. Unplug the appliance and clean with a vacuum ONLY. DO NOT rinse or allow the appliance to become wet.
13. This heater is not intended to be a primary heat source. It is for supplemental heat only.
14. ALWAYS disconnect this heater from the power supply before performing any assembly and cleaning.
15. NEVER plug this heater into an outlet that is old, cracked, or has any loose wires or connections. Plugging this heater into a faulty outlet could result in electric arcing within the outlet that could cause the outlet to overheat or catch fire.
16. Verify the plug fits tight in the outlet. Faulty wall outlet connections or loose plugs can cause the wall outlet to overheat.
17. This heater draws more current than other small heaters. Overheating may occur even if it has not occurred with the use of other heaters.

1.0 Introduction

1.1 Appliance Certification

Laboratory: Intertek Testing Services

Standards:

CSA C22.2 No 46-13 Ed.9 Electric Air-Heaters (R2018)

UL 2021:2015 (4th Edition + R:02 Fed. 2021) Fixed and Location-Dedicated Electric Room Heaters

1.2 California Proposition 65 Warning

WARNING: Cancer and Reproductive Harm -www.P65Warnings.ca.gov.

1.3 Electrical Specifications

This appliance is rated at 120VAC, 60Hz, 1500W.

It is recommended to install the appliance on a dedicated 15 Amp (or higher) breaker. The fireplace's 1500W heater can draw 12.5 amps.

The power cord supplied with the appliance has three prongs: two flat blades (live and neutral) and one round pin (ground). If a 3-slot receptacle is not available, an adapter (not included) MUST be used.

The green grounding lug extending from the adapter must be connected to a permanent ground such as a properly grounded outlet box. The adapter should not be used if a three-slot grounded receptacle is available.

If you are installing this appliance in a recessed installation application the appliance must be hardwired.

1.4 Appliance Preparation

WARNING: This product includes glass components. Always use extreme caution when handling glass. Failure to do so could result in personal injury or property damage.

Remove all parts and hardware from the carton and place them on a clean, soft, dry surface. Check the parts list to verify all components are there. Dispose of packaging materials properly. Please recycle whenever possible.

You will need the following tools (not included):

- Phillips screwdriver
- Stud finder
- Level
- Tape measure
- Electric drill
- 1/4" wood drill bit

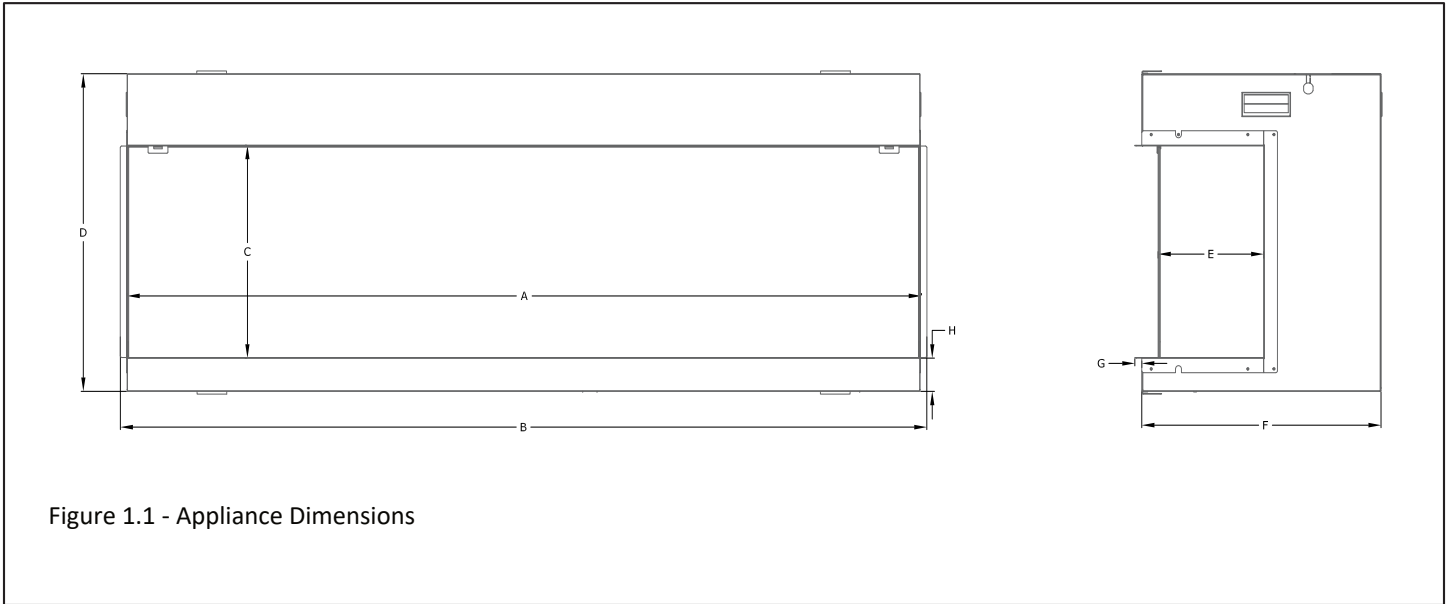
1.5 Parts and Hardware

IMPORTANT: Keep any plastic packaging and small parts away from young children as they can pose a danger.

Package Contents:

- Electric Fireplace (QTY 1)
- Instruction Manual (QTY 1)
- Remote Control and Batteries (QTY 1)
- Smoked Crushed Glass - Boxed (QTY 1)
- Glass Suction Clamp (QTY 1)
- Power Cord (QTY 1)
- Log Set (QTY 1)
- Mounting Screw Packet (QTY 4)

1.6 Appliance Dimensions



	A	B	C	D	E	F	G	H
OSO-x64	63" (1600mm)	64-1/8" (1629mm)	15-1/4" (387mm)	22-7/8" (581mm)	8-3/8" (211mm)	19" (483mm)	1/2" (14mm)	2-3/8" (59mm)

2.0 Assembly and Installation

2.1 Installation Planning

NOTE: Follow all national and local building and electrical codes.

- To reduce the risk of fire, do not store or use gasoline or other flammable vapors and liquids in the vicinity of the heater.
- If using the power cord supplied, plan a location for the power cord to connect to an electrical box accordingly.
- Select a suitable location that is not susceptible to moisture and is away from drapes and furniture.
- If you are installing this fireplace in a recessed installation then the appliance must be hardwired. All work is to be performed by a licensed electrician. Follow all applicable local, and national (NFPA 70) electrical codes.

2.2 Selecting Your Installation Options

This appliance can be installed in several different options. This appliance can be:

Recessed installation - Single Sided

- In this installation you keep both block off plates installed on the fireplace. These block off plates cover the side glass viewing areas.

Recessed Installation - Corner Application (Left or Right Sided)

- In this installation you remove the block off plate of the side glass viewing area that you want visible.

Recessed Installation - 3-Sided (Bay) Application

- In this installation you remove both block off plates of the side glass viewing area. You have the front and both side viewing areas visible now.

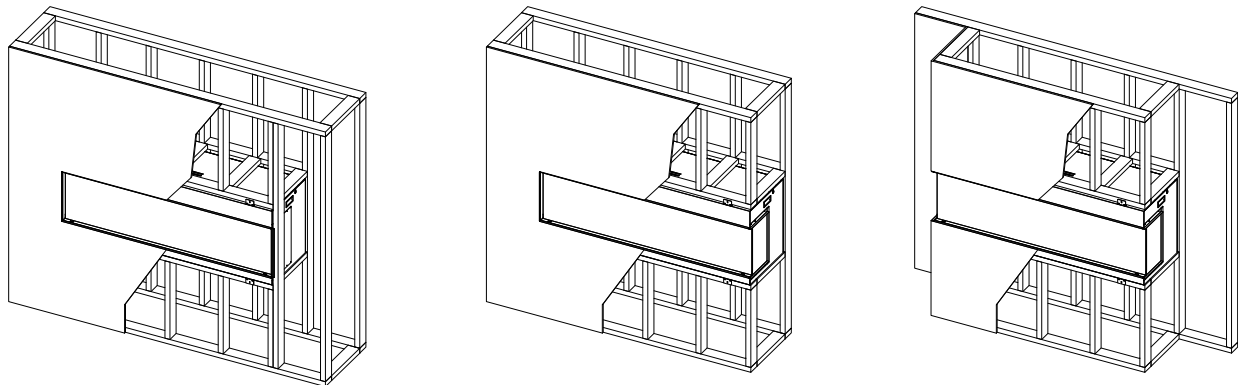


Figure 2.1 - Installation Options

2.3 Appliance Preparation for Installation

2.3.1 Shipping Brace Removal

The fireplace comes with a support brace that support the fireplace during shipping. Once the fireplace is installed and secured in the framed opening remove and discard the support brace. See Figure 2.2.

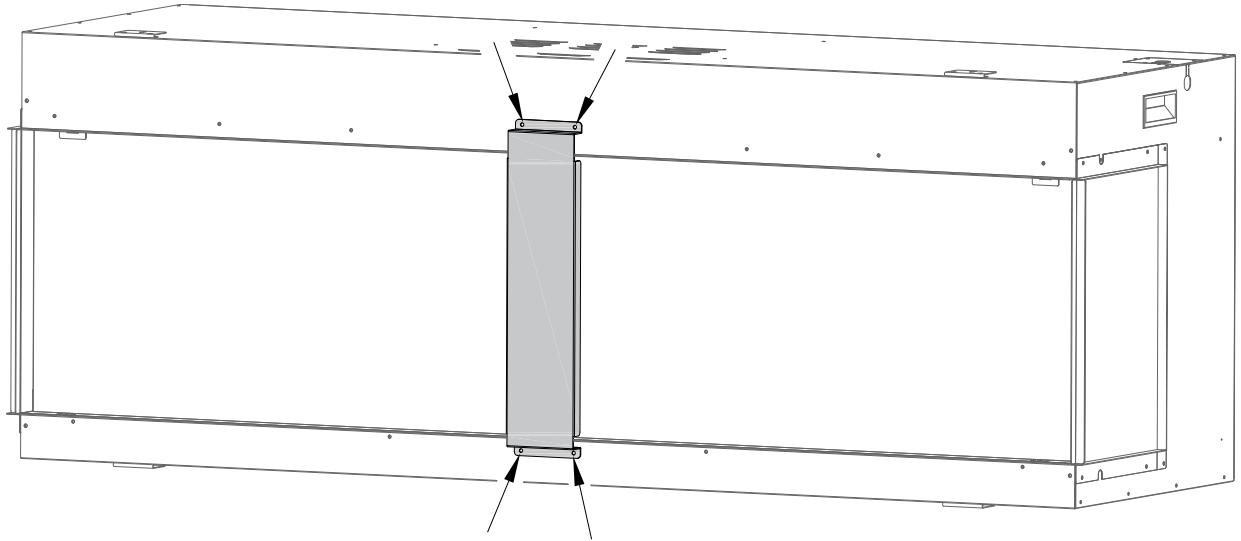


Figure 2.2 - Shipping Brace

2.3.2 Standard Installation

1. Remove the screws that secure the cover plate on the side of the appliance. These screws secure the cover plate and the finishing trim.
2. Remove and discard the finishing trim. The “C” shaped finishing trim you are discarding is supplied with this appliance when installation the fireplace as a corner or 3-Sided installation. Reinstall the cover plate and screws. Complete on both sides of appliance. This allows your framing to be flush with the body of the appliance so finishing material butts up against the 1/2” finishing edge.

2.3.3 Corner Installation

1. Remove the screws that secure the cover plate of the side of the appliance in which you want the side glass to be exposed. Discard the cover plate. Reinstall the finishing trim. This trim is where your finishing material will butt up against.
2. On the side of the appliance that will not be an exposed corner remove the same screws that secure the cover plate and finishing trim. Discard the finishing trim on this side. Reinstall the screws to secure the cover plate.

2.3.4 3-Sided (Bay) Installation

1. Remove the screws securing the cover plate on one side of the appliance which will expose the side glass.
2. Discard the cover plate. These screws also secured the previously unused finishing trim. This finishing trim is in a shape of a “C” and you will reinstall this trim with the previously removed screws. This trim is where your finishing material will butt up against.
3. Repeat for the other side of the appliance. You will now have all 3 sides of the appliance viewing glass exposed.

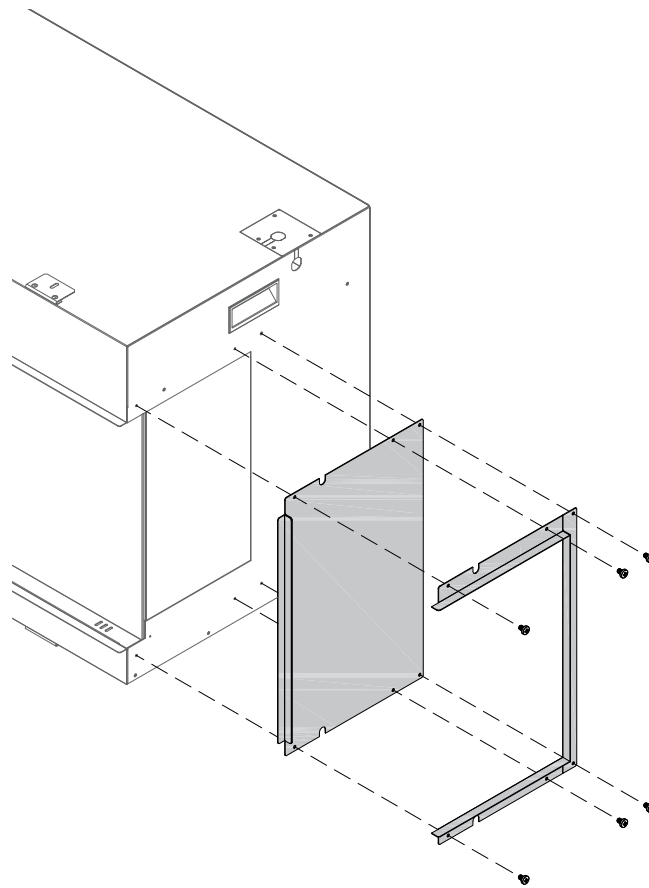


Figure 2.3 Cover Plate Removal

2.4 Nailing Flange Installation

The nailing flanges come attached to the appliance. There are (2) nailing flanges on the top of the appliance and (2) nailing flanges along the bottom of the appliance.

Fold out the nailing flange as shown in Figure 2.5. Use the nailing flange to secure the appliance to framing.

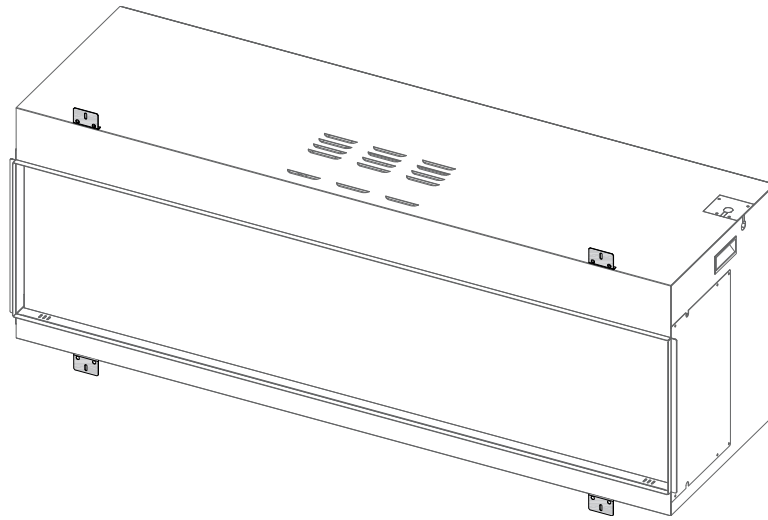


Figure 2.4 - Nailing Flange Location

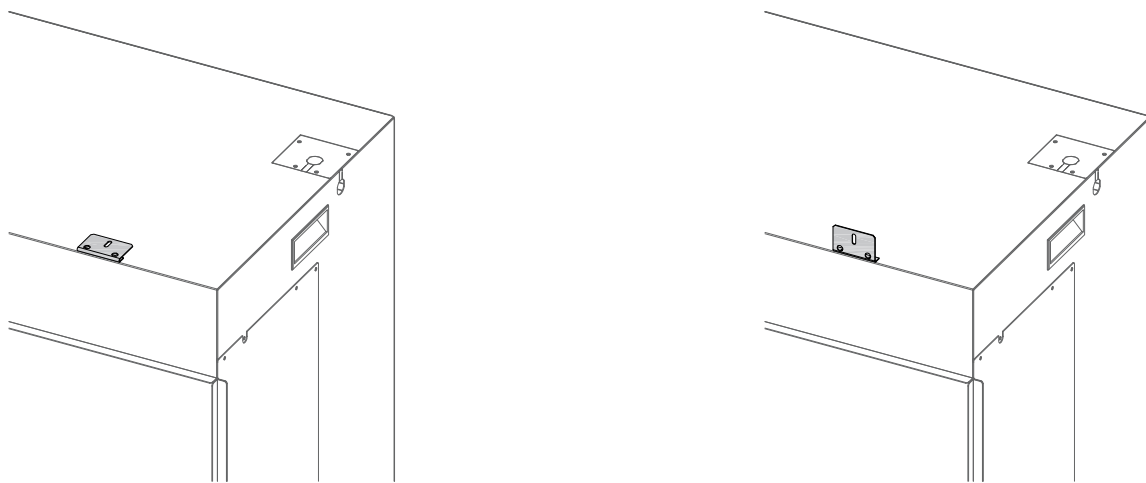


Figure 2.5 - Unfolding Nailing Flange

2.5 Clearance to Combustibles

Table 2.1, Minimum Clearances to Combustibles	
Bottom of appliance	0" (0mm)
Left and right sides of appliance	0" (0mm)
Back of appliance	1/4" (6mm)
Top of appliance	1/4" (6mm)
Top finishing edge to 12" (305mm) mantel	0" (0mm)
Bottom finishing edge to unlimited hearth	0" (0 mm)
Combustible Material in Front of Glass Viewing Area	36" (914mm)

2.6 Framed Appliance Opening

Select a location not prone to moisture and is located at least 36" (914mm) away from the front of the appliance to combustible materials such as curtains, drapes, furniture, bedding, paper, etc.

1. Create a rough opening specific to your type of installation (Single Sided Installation, Corner Installation, 3-Sided Pier Installation) See Figure 2.6 thru Figure 2.8 for the dimensions.

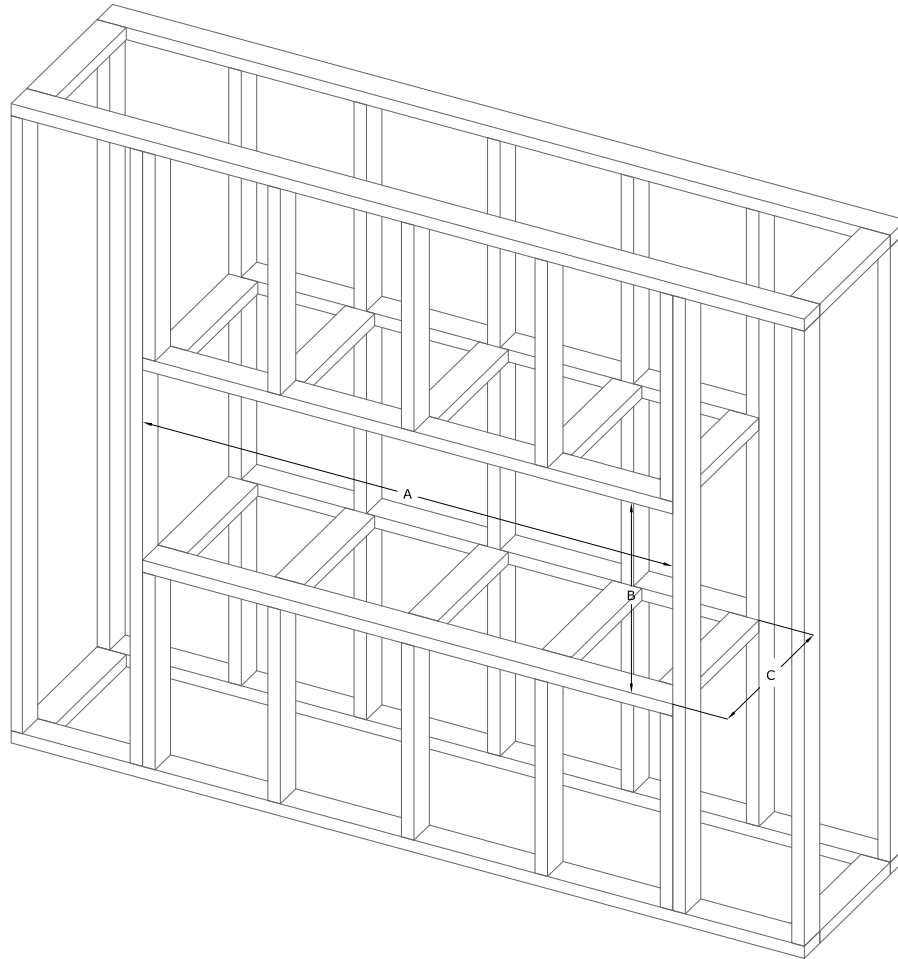


Figure 2.6 - Framed Opening - Standard Installation

Fireplace Models	Standard Installation - Framed Opening Dimensions		
	A	B	C
OSO-x64	63-1/2" (1613mm)	23-1/2" (597mm)	19-1/2" (495mm)

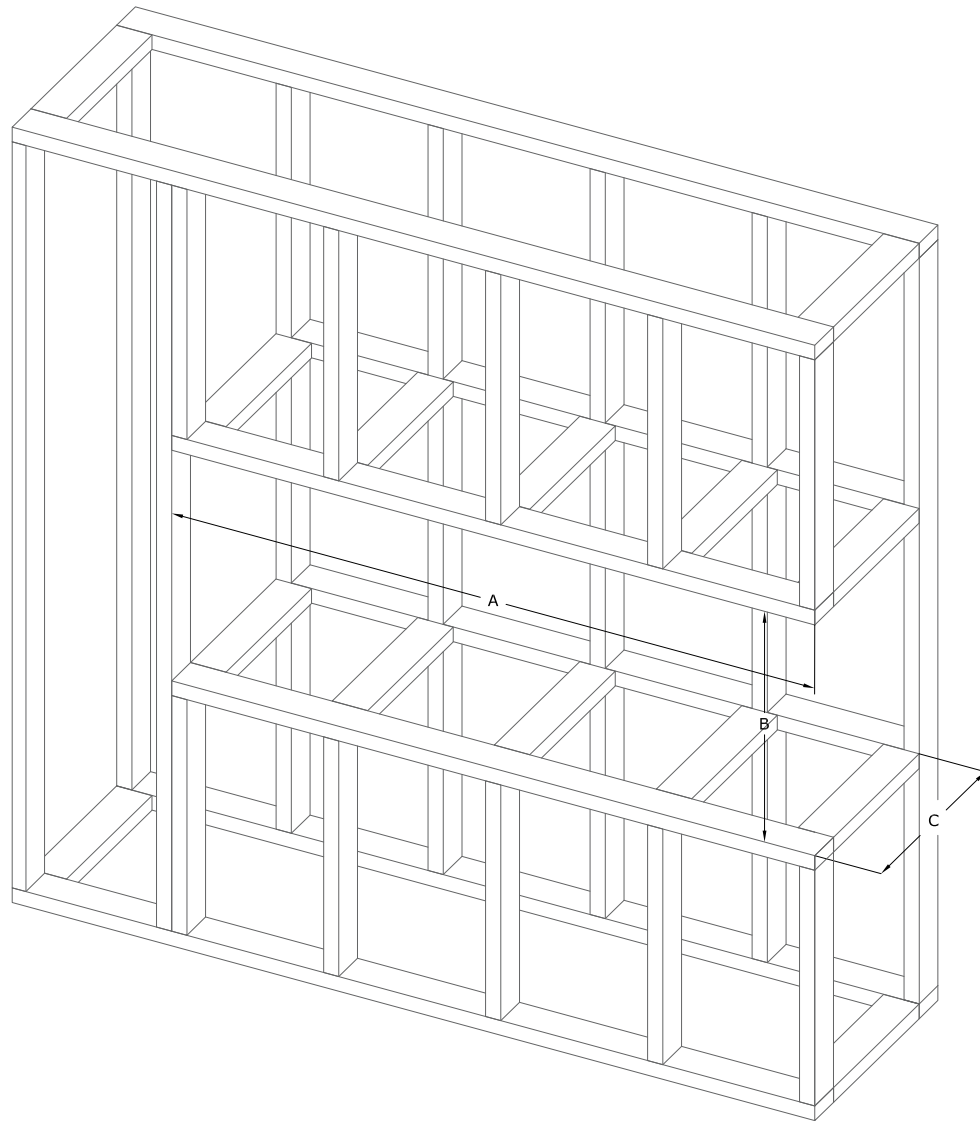


Figure 2.7 - Framed Opening - Corner Installation

Fireplace Models	Corner Installation - Framed Opening Dimensions		
	A	B	C
OSO-x64	63-1/2" (1613mm)	23-1/2" (597mm)	19-1/2" (495mm)

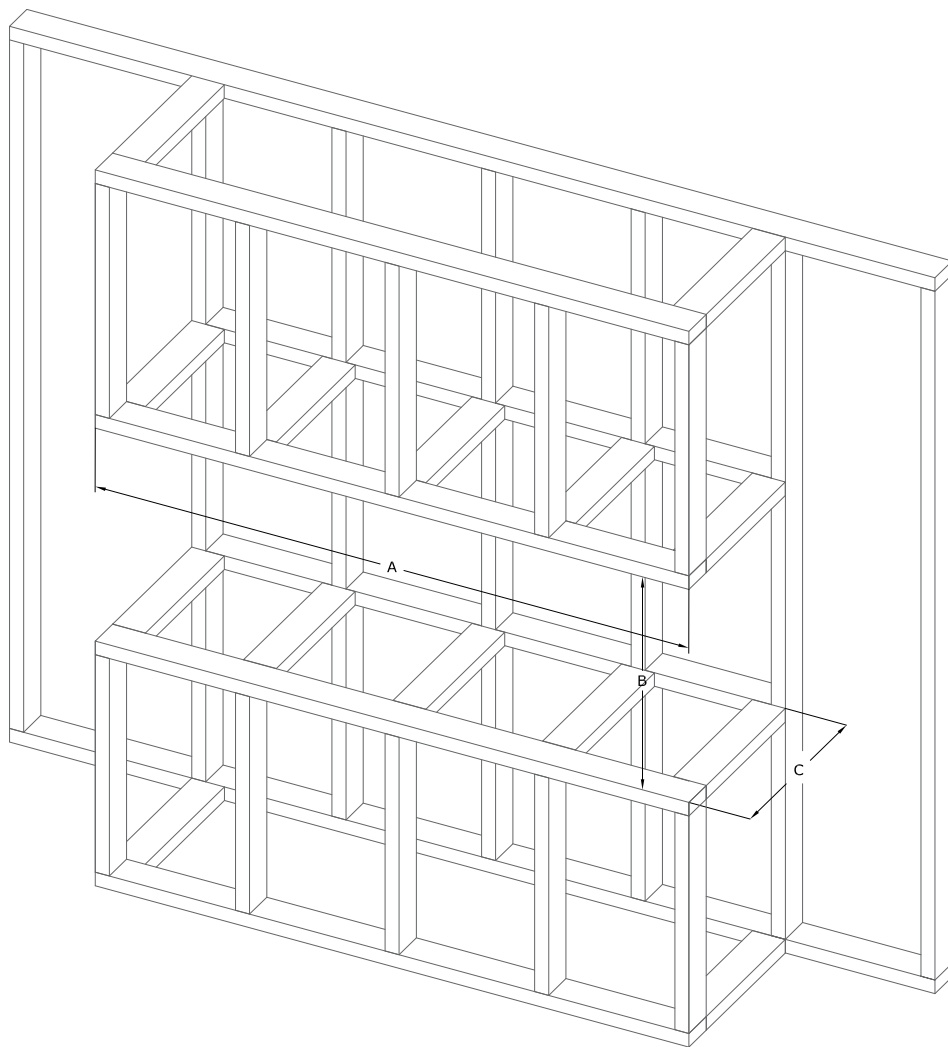


Figure 2.8 - Framed Opening - 3-Sided (Bay) Installation

Fireplace Models	3-Sided (Bay) Installation - Framed Opening Dimensions		
	A	B	C
OSO-x64	63" (1600mm)	23-1/2" (597mm)	19-1/2" (495mm)

2.7 Rectangle Surround - Purpose and Installation

The rectangle surround is an optional accessory for the Osseo x64.

- This surround can only be installed when the appliance is installed in a recessed single sided installation.
- This surround is recommended when you have an unfinished or exposed edge of drywall, tile, or wood.
- The surround is held on by magnetic brackets at the top and magnets at the bottom. Pull trim forward and up to remove from brackets.

Installation:

1. Locate the (2) Phillips screws shown in Figure 2.9. The screws will be located above the viewing glass area. Note: each fireplace might look slightly different than shown. Remove the heater air deflector bracket. Discard the bracket but save the screws.
2. Install the new heater air deflector bracket that has the support flanges on the ends as shown in Figure 2.10.
3. Next install the base brackets as shown in Figure 2.11.

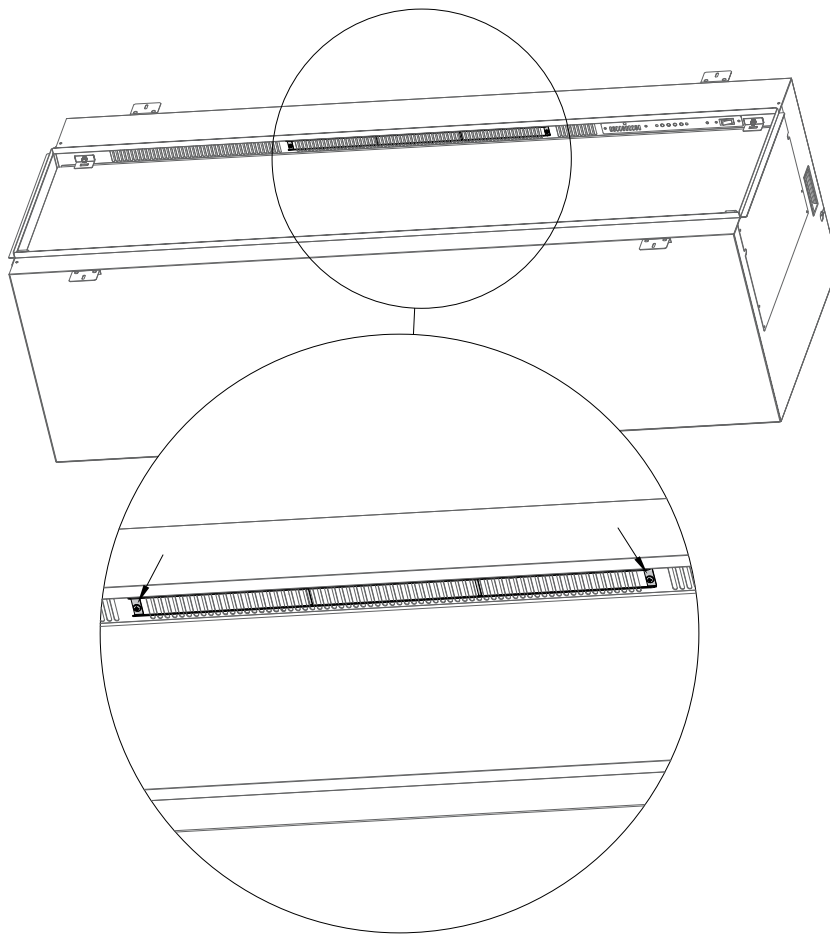


Figure 2.9 - Remove existing heater air deflector bracket

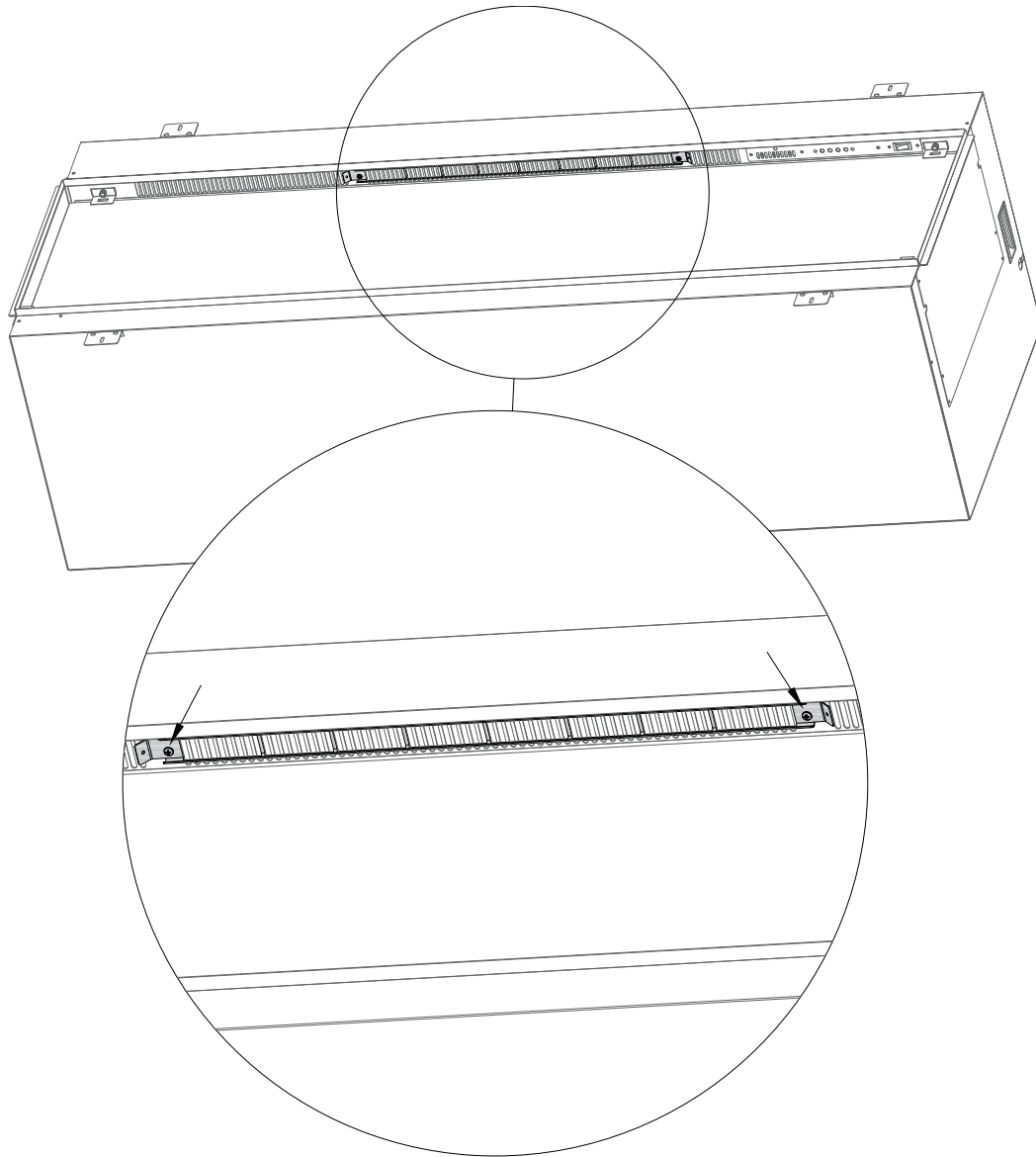


Figure 2.10 - Install new heater air deflector bracket

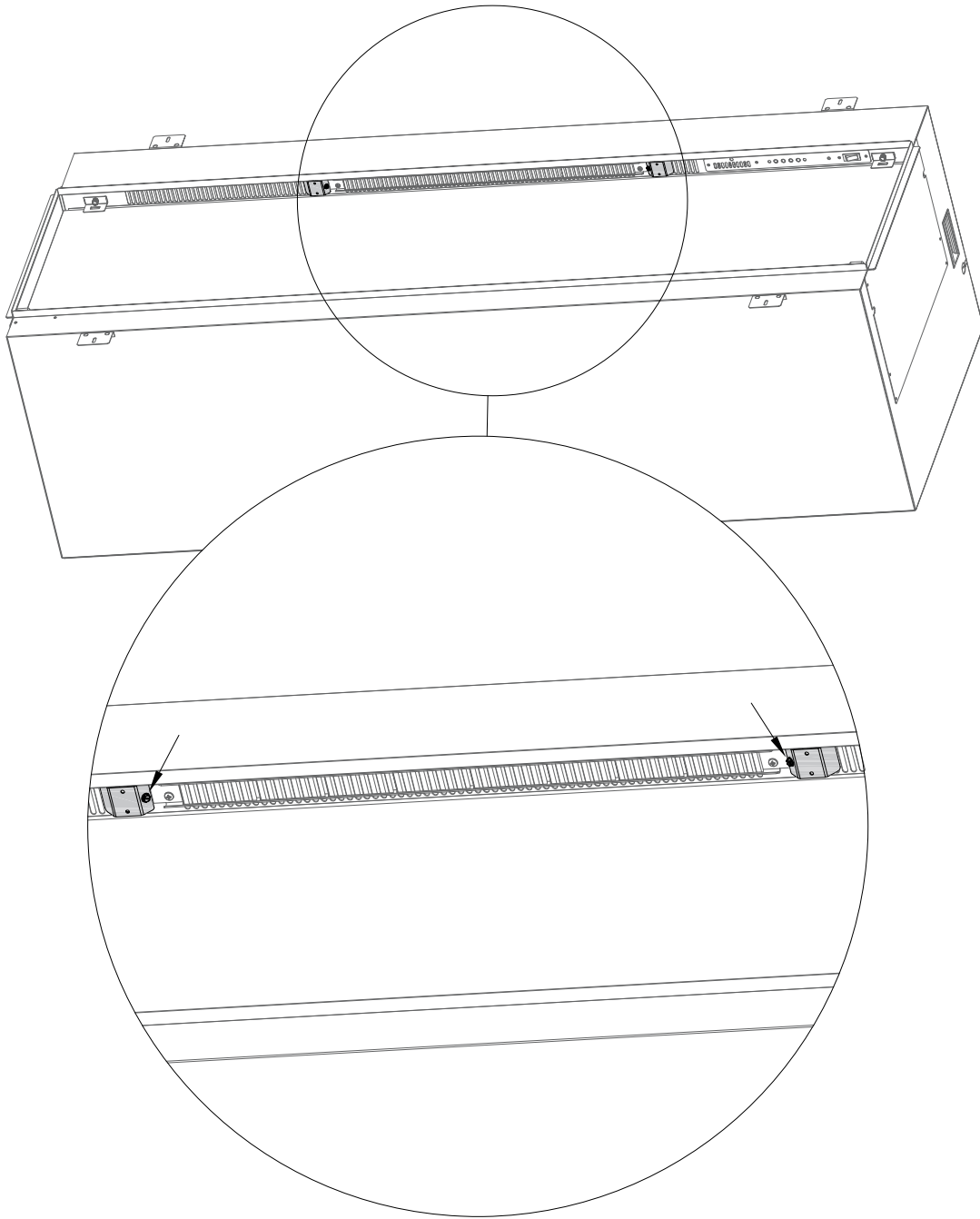


Figure 2.11 - Install Base Brackets

4. Install the magnetic hanging brackets as shown using the supplied screws. These brackets are adjustable to accommodate your finishing material. See Figure 2.12.
5. Install the rectangle surround by hanging the top of the surround on the magnetic hanging brackets as shown in Figure 2.13. The rectangle surround has a top and bottom. You can tell the difference due to the larger (deeper) flange that goes back towards the unit. Make sure the larger flange is on the bottom of the viewing area. If the larger flange is at the top it may cover the heater vents.
6. Use the provided magnets to hold the bottom of the surround to the fireplace as shown in Figure 2.14. The magnets will sit on the bottom edge of the fireplace and should be hidden by the bottom flange of the surround.

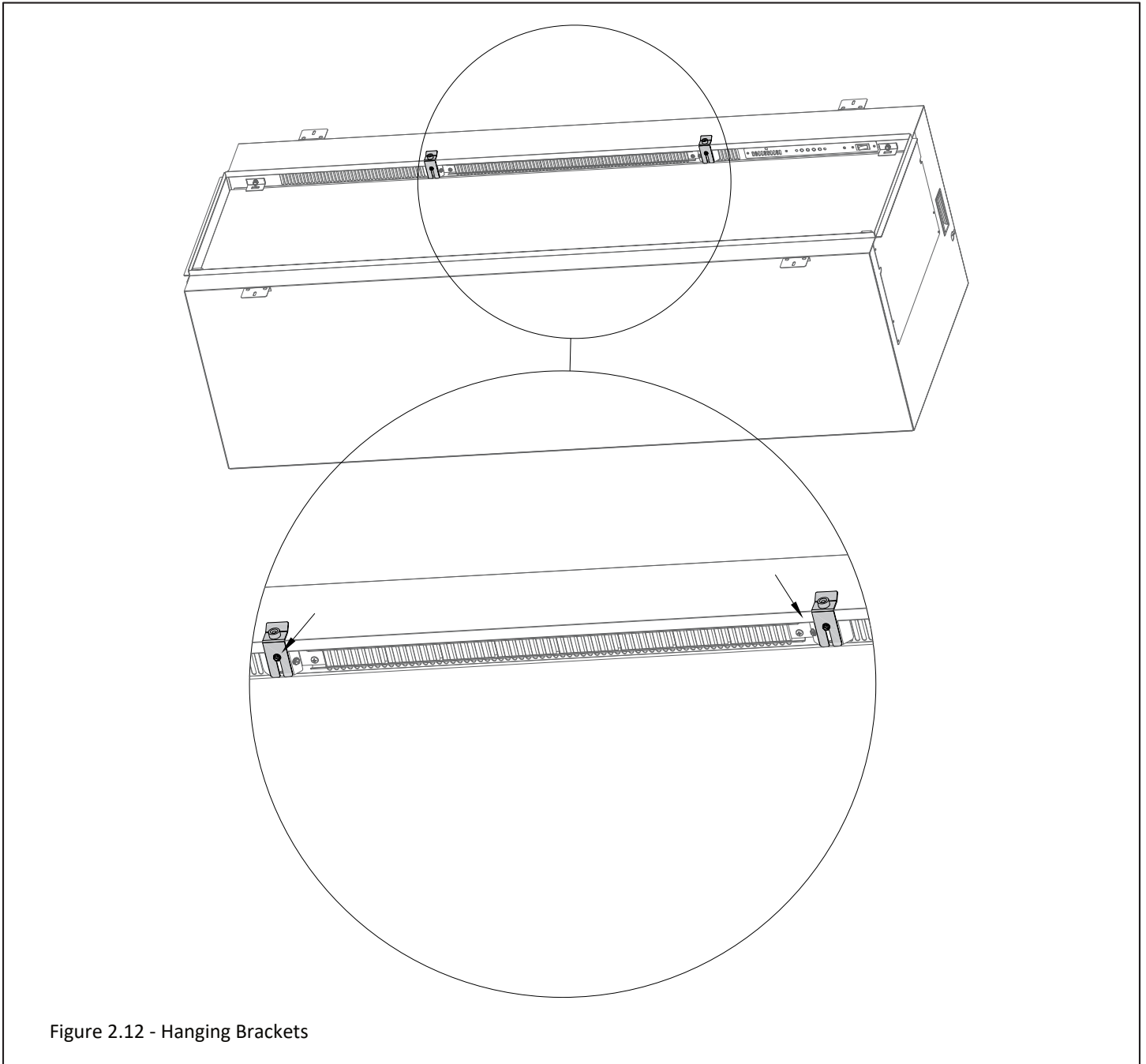
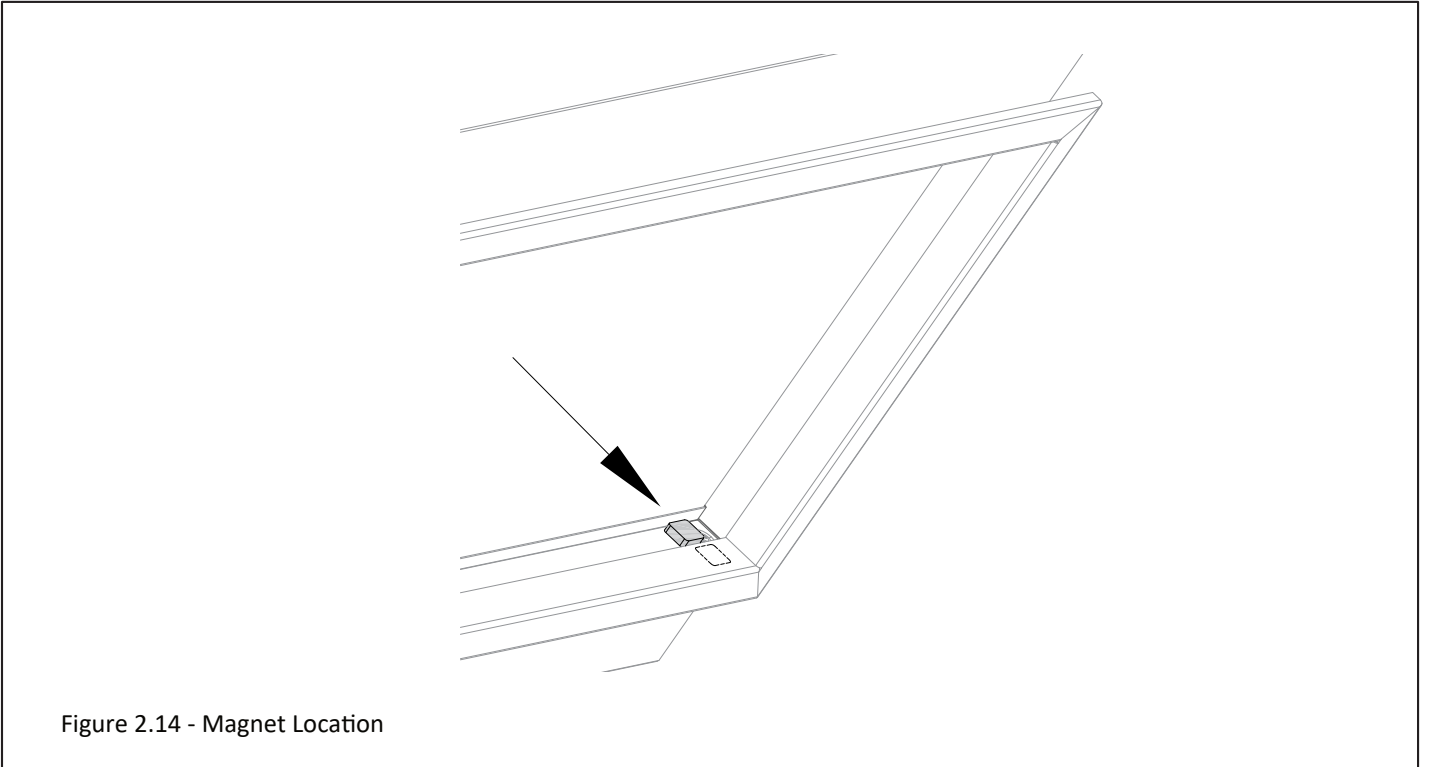
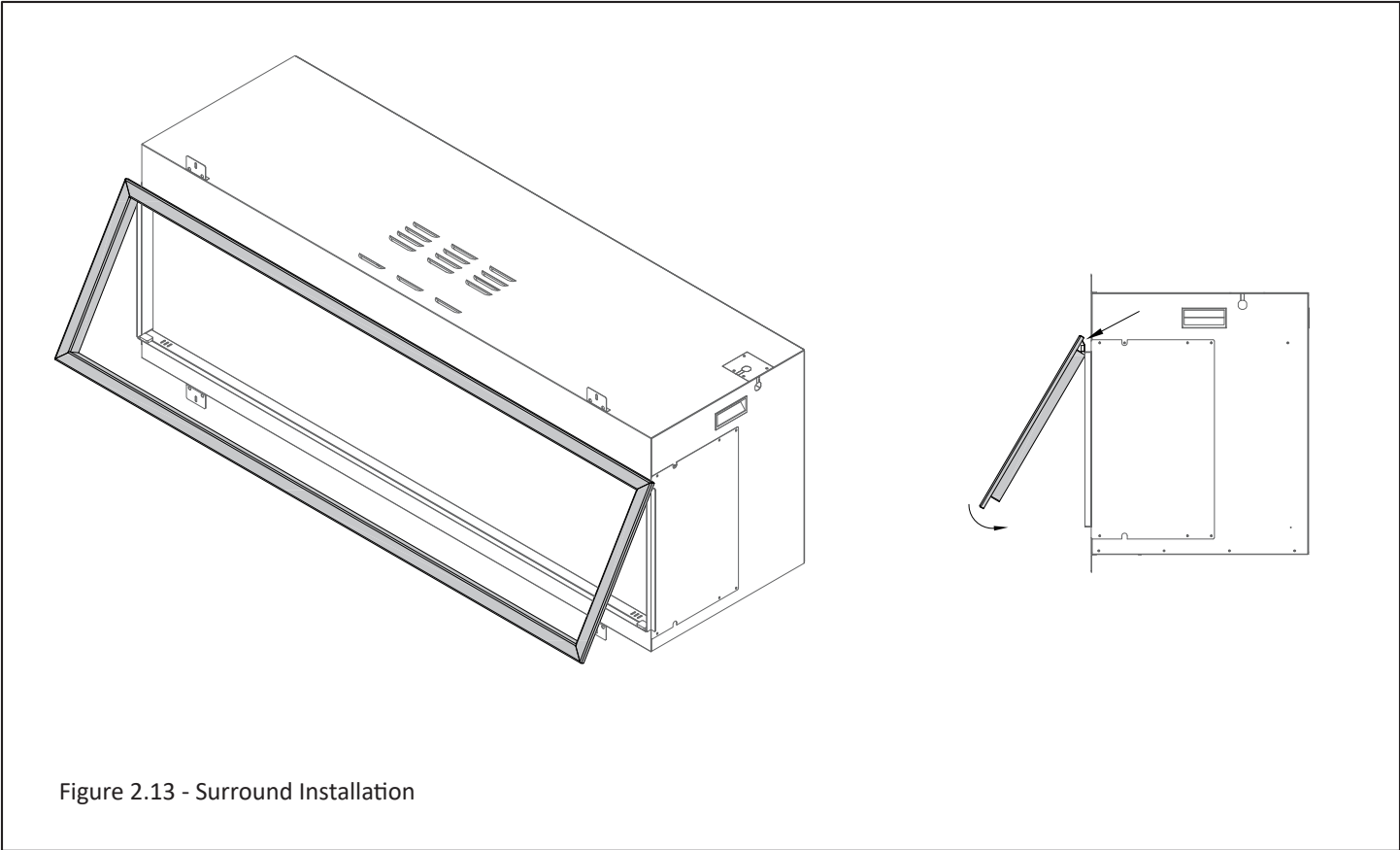


Figure 2.12 - Hanging Brackets



2.8 4-Piece Finishing Trim Installation

The finishing trim is an optional accessory for the Osseo x64.

- This finishing trim can only be installed when the appliance is installed in a recessed single sided installation.
- This finishing trim is recommended when you are finishing the appliance in a smooth wall finish or are using very thin finishing materials.
- The trim pieces are installed with the supplied double sided adhesive tape.

Installation:

1. Install the top and bottom trim pieces as shown in Figure 2.15.
2. Install the sides trim pieces as shown in Figure 2.16.

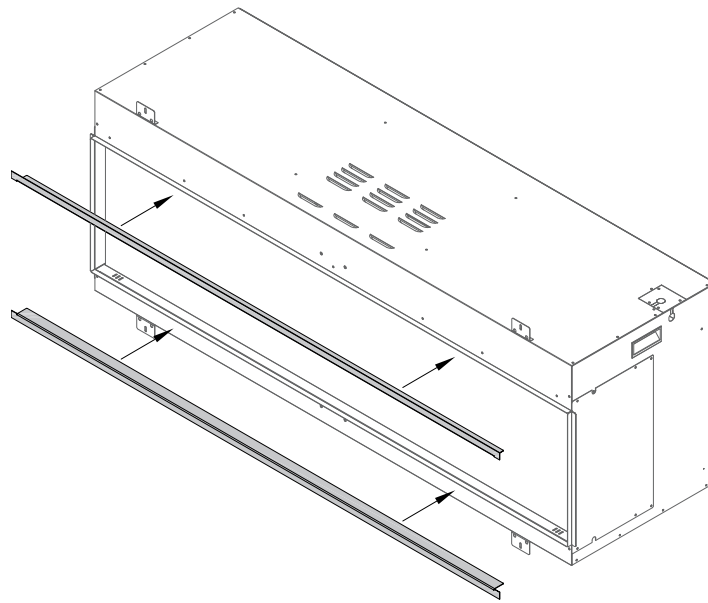


Figure 2.15 - Top and Bottom Trim

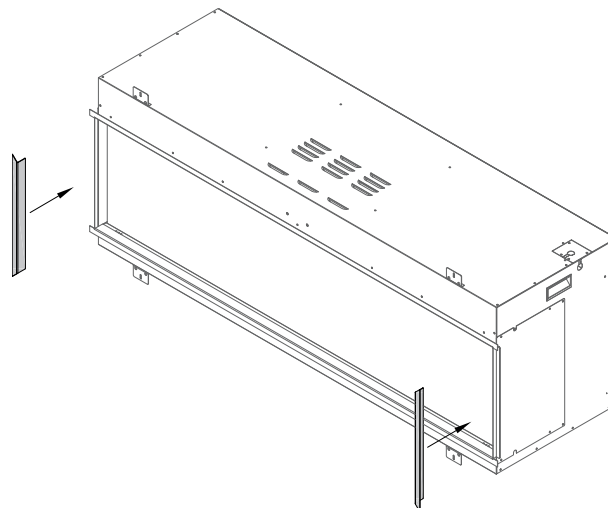


Figure 2.16 - Side Trim

2.9 Electrical Connection

The appliance is shipped in a manner where the electrical connection can be hardwired or connected with a power cord (provided). When the appliance is installed in a recessed installation application the electrical connection must be hardwired. All work is to be performed by a licensed electrician. Follow all applicable local, and national (NFPA 70) electrical codes.

Depending on the type of installation you can move the cable clamp to the side, top, or rear of the appliance. There is a knock-out plate to remove to move the cable clamp to the other locations. This cable clamp will secure your wiring (power cord or hardwired).

Installation:

1. Remove the (4) screws that secure the electrical box cover. See Figure 2.17.
2. Move the cable clamp to the desired location. See Figure 2.18. (Not shown is the location where the cabling would terminate out the top of the appliance through the cover plate.)
3. Complete electrical connection and reinstall electrical box cover.



Figure 2.17 - Electrical Cover Plate

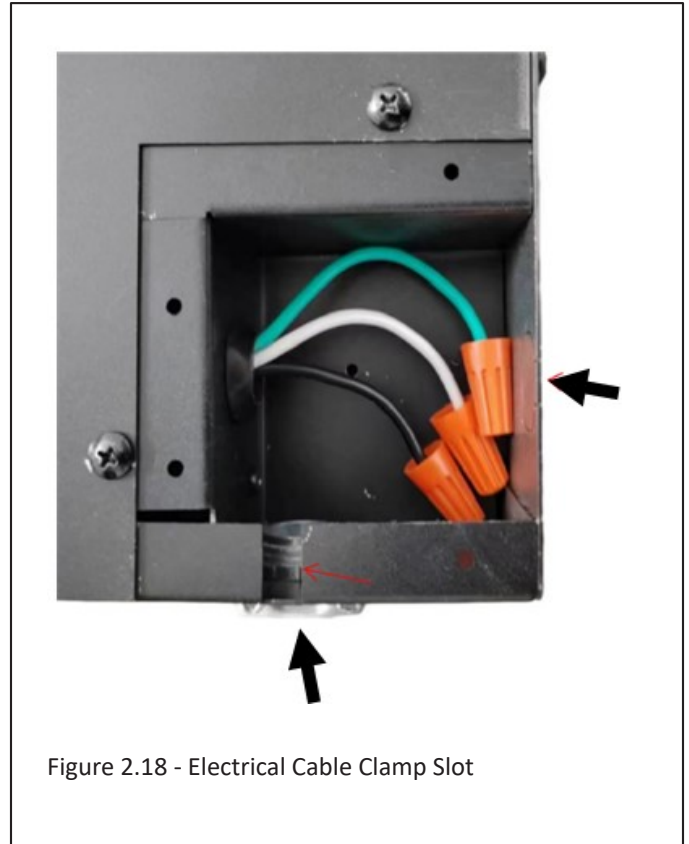


Figure 2.18 - Electrical Cable Clamp Slot

3.0 Facing and Finishing

3.1 Mantel Requirements

WARNING: All minimum clearances to combustible material MUST be maintained.

- **Combustible Mantel Projections:** Mantel projections must fall within the 12" (305mm) combustible Wall Projection shown in Figure 3.1. The combined wall projection, finishing material, and combustible mantel cannot exceed a 12" (305mm) projection.
- **Combustible Wall Bump-Out / Projection:** You are allowed up to a 12" (305mm) wall projection starting at the top finishing edge.

Note: At no point can any material extend to the inside of the finishing edges. No material should block the viewing area or glass of the appliance.

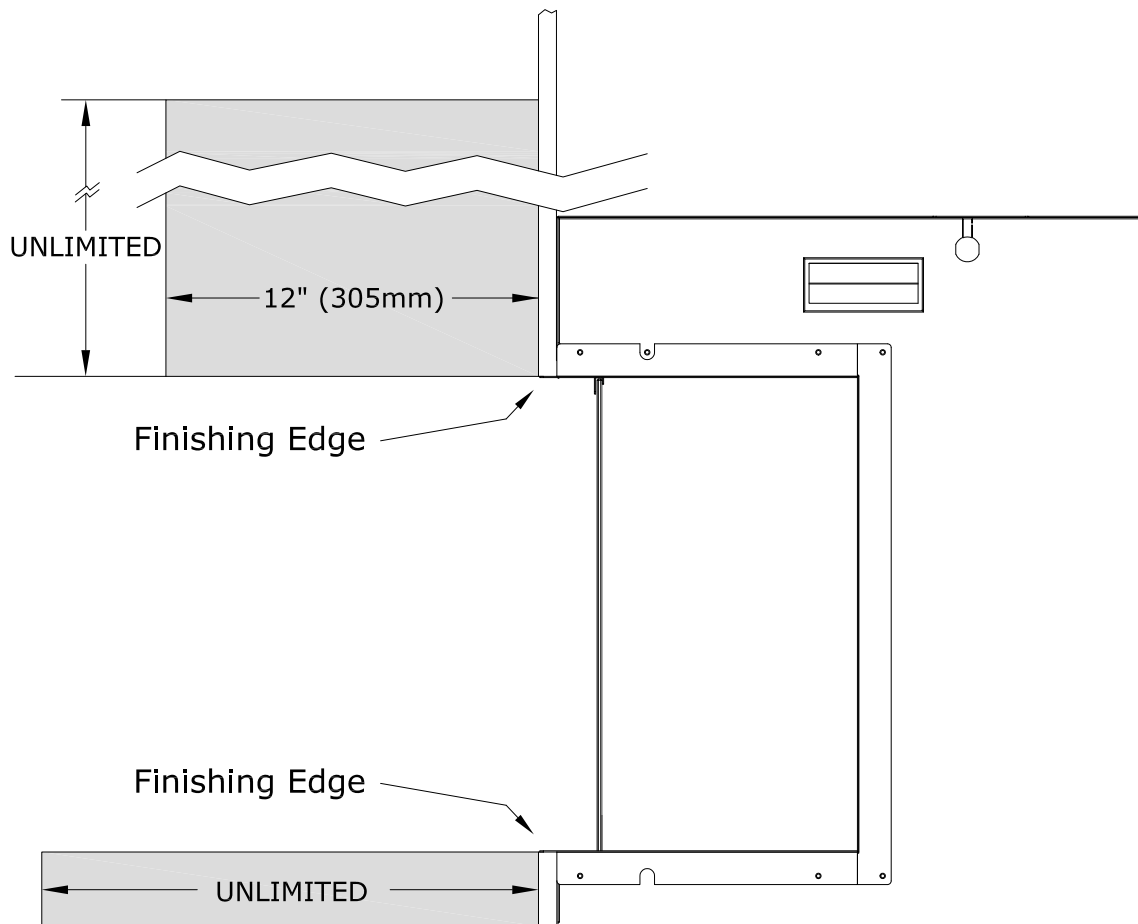


Figure 3.1 - Combustible Projections

3.2 Finishing Material Information

- This appliance has finishing edges that are designed to accommodate the edge of finishing material up to 1/2" (13mm) thick.
- If your finishing material is thicker than 1/2" (13mm) then some of the finishing material's edge will be exposed
- If you are installing this appliance in a single-sided installation method you can install the optional rectangle surround, Section 2.7, which would cover the edge of the finishing material. This is recommended when you have an unfinished or exposed edge of materials such as drywall, tile, or wood.

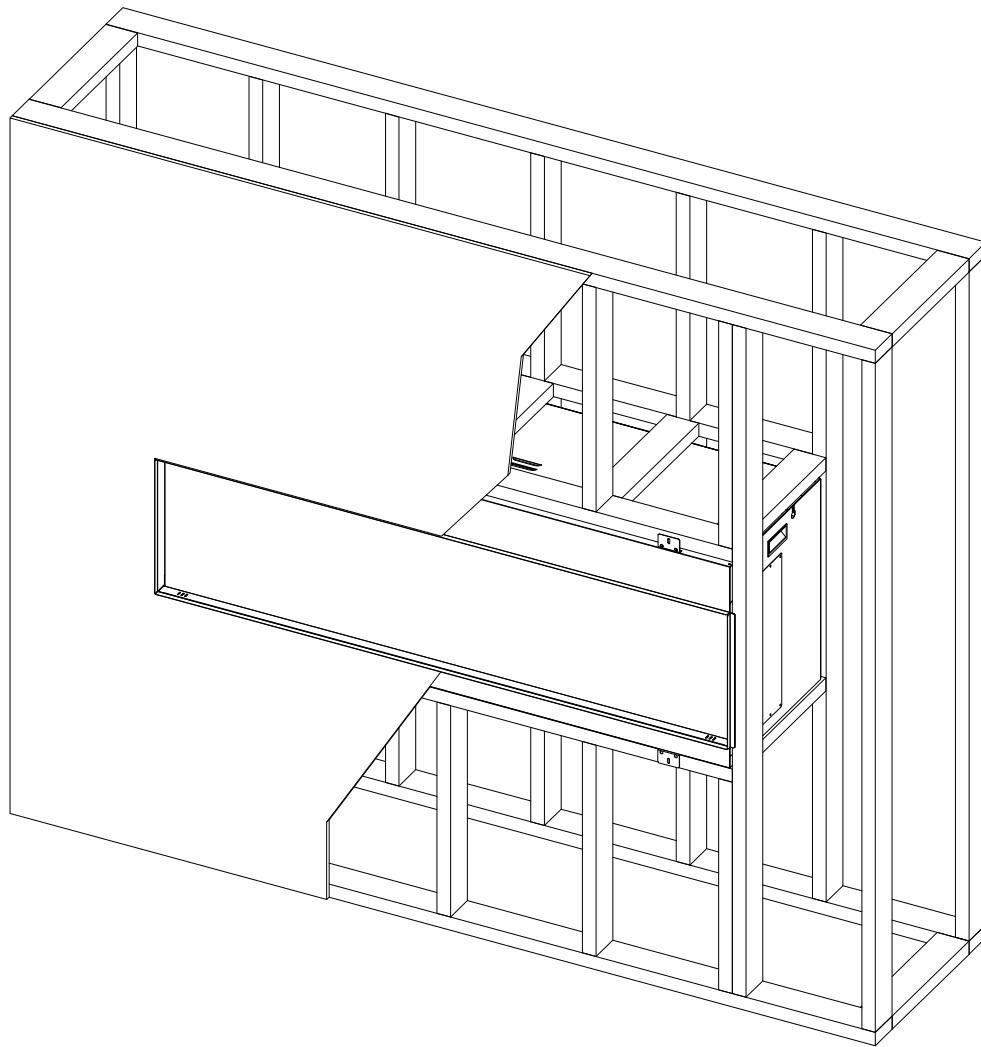


Figure 3.2 - Finishing Material on Single Sided Installation

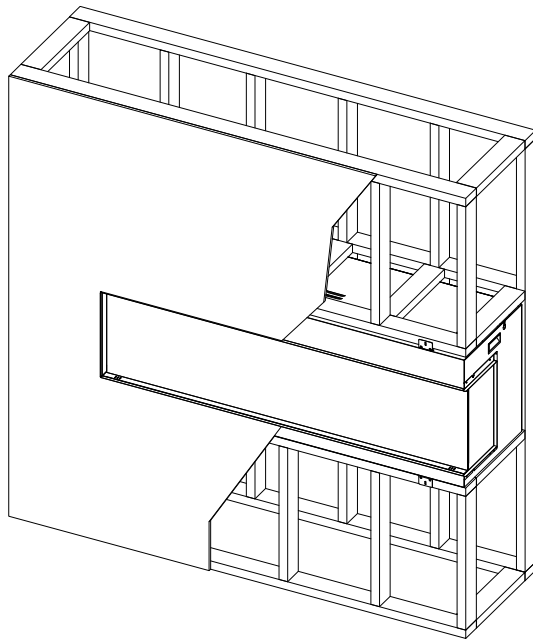


Figure 3.3 - Finishing Material on Corner Installation

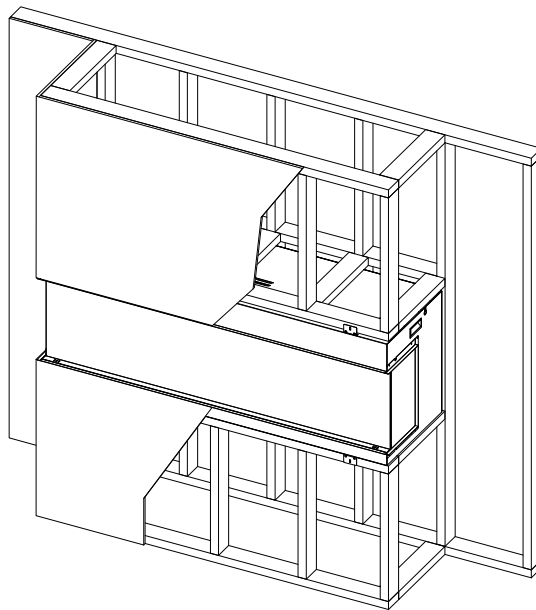


Figure 3.4 - Finishing Material on 3-Sided (Bay) Installation

4.0 Appliance Setup

4.1 Glass Front Removal and Installation

1. Remove any front trim, if installed. See instructions in corresponding section (Section 2.7 or Section 2.8).
2. Use a glass suction cup and attach it to the glass front. Remove the screws and brackets from the top right and left of the glass. Remove the heater air deflector bracket. Save these components. See Figure 4.1. Tilt the glass towards you and lift up and remove the glass front.
3. Carefully lift glass away from the appliance. Place it face down on a soft, non-abrasive surface.
4. To reinstall glass front, hold the glass in place and reinstall the previously removed components.
5. Reinstall front trim, if previously installed.

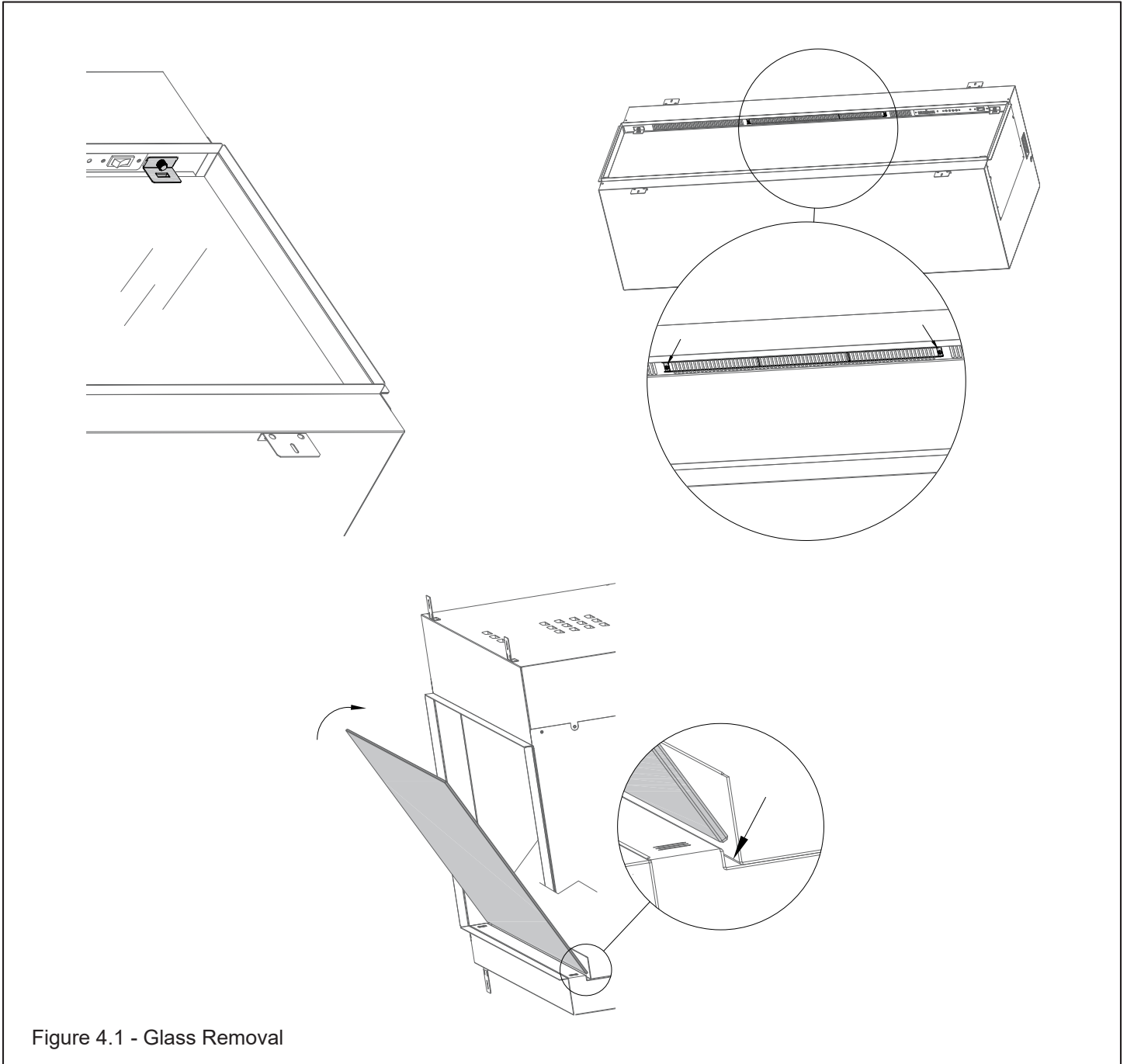


Figure 4.1 - Glass Removal

4.2 Holographic Glass Removal and Installation

1. Follow all steps in Section 4.1 to remove the glass front.
2. Attach the provided glass suction cup to the holographic glass pane. Remove the (2) glass panel clips with one clip in each top corner. See Figure 4.2.
3. Carefully tilt the glass up slightly and then lift the glass up and out of the bottom glass channel. Lift the glass away from the appliance. Place it down on a soft, non-abrasive surface. Make sure you reference which side of the glass was facing up when it was removed as that side of the holographic glass has a reflective film.
4. To reinstall holographic glass, follow the steps in reverse order. Make sure the same side of the holographic glass faces up as it was previously removed.
5. Reinstall the glass front from Section 4.1. Reinstall front trim, if previously installed.

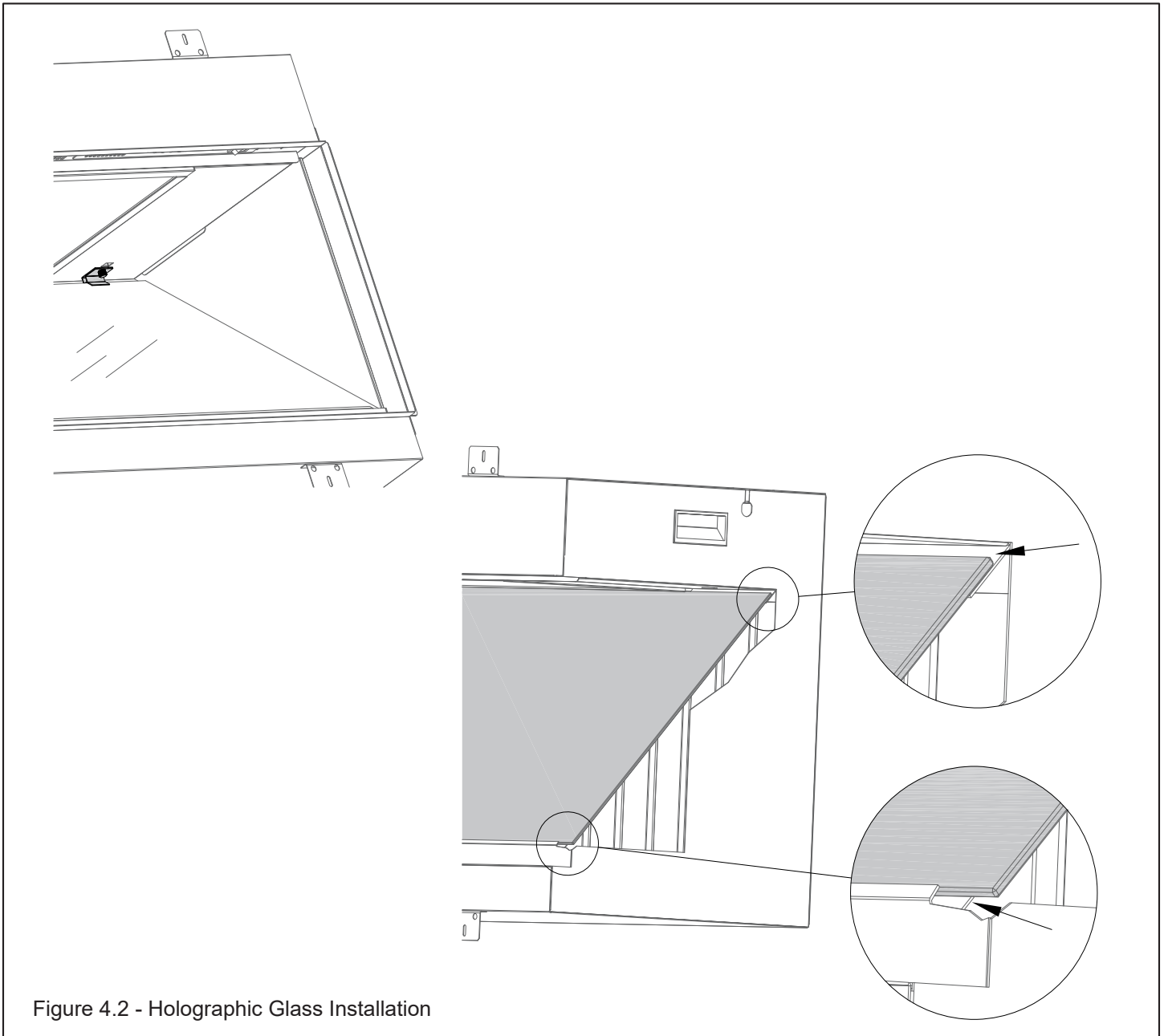


Figure 4.2 - Holographic Glass Installation

4.3 Log Set Installation

Note: The clear panel on the floor of the fireplace will have log position numbered. Match the log number to the position on the floor.

1. Start off by installing base log #1, #2, #14, #9, and #6.
2. The follow logs are illuminated by LEDs so you will have to plug these in to the female connector in the plastic floor that is adjacent to the log location. See Figure 4.4. First install log #3. Now you can install the remaining back row of illuminated logs (See logs #7, #4, #5, and #8).
3. Next we will install the front row of logs. Install logs #10, #11, #12, #13, and #15. Logs #11, #13, and #15 are illuminated so ensure those are plugged in.
4. Next install the 20 lbs. of crushed glass and klinkers. Randomly space out the klinkers on top of the crushed glass. It is beneficial to use the klinkers to help hide the wires from the illuminated logs. Ensure the crushed glass does not go up to the very front edge as the angled holographic glass needs some space up front.



Figure 4.4 - Log LED Connection

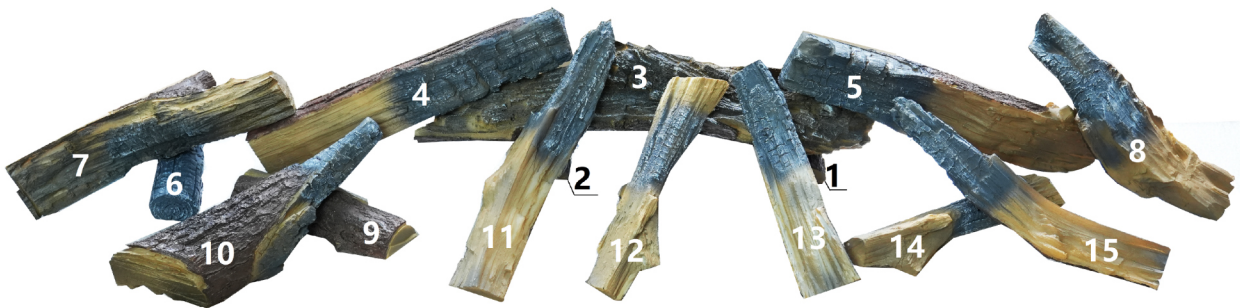


Figure 4.3 - Log Location and Identification

5.0 Operating Instructions

5.1 Methods of Operation

WARNING: Read and understand this entire installation and operation manual, including all safety information, before plugging in or using this product. This appliance must be properly installed before use. Failure to do so could result in electric shock, fire, serious injury, or loss of life. Do not tamper with any controls.

Note: When the appliance is first turned on, a slight odor may be present. This is normal and should not occur again unless the appliance is not used for a long period of time.

- This appliance has two locations to perform fireplace operations. The first interface location is the control panel located on the appliance and the second interface location is the remote control.
- The control panel located on the appliance performs a set of features that are specific to this control panel.
- The remote control performs a set of features that are specific to the remote control.

5.2 Pairing the Remote to the Appliance

The remote shipped with the fireplace is already paired.

If you had to pair a new remote to the fireplace first turn on the main power switch on. Press and hold the “fireplace on/off” button and the “Display Brightness” at the same time for 5 seconds. You will hear a beeping sounds. After the beeping sound is over the remote is paired with the fireplace.

5.3 Appliance Control Panel Operation

Note: Each time you press a button on the control panel you will hear an audible beep sound indicating an action has happened.

Main Power Switch

- Push the main power switch to I, the main power indicator will illuminate.

Fireplace On/Off Button

- Pressing the button turns the fire on and off.

Heater Button

- Press the heater button once and the heater will turn on to half heat (750w).
- Press the heater button a second time and the heater increases to full heat (1500w).
- Press the heater button a third time and the heater will turn itself off.

Down Light Button

- Pressing the down light button quickly changes the colors. There are three different color settings.
- Press and hold this button for 3 seconds until a beep sounds to switch between Fahrenheit and Celsius.

Floor Light Button

- Pressing the floor LED button quickly changes the colors. There are thirteen different color settings.
- Press and hold this button for 3 seconds until a beep sounds to clear the App pairing, which is intended for re-pairing the App.

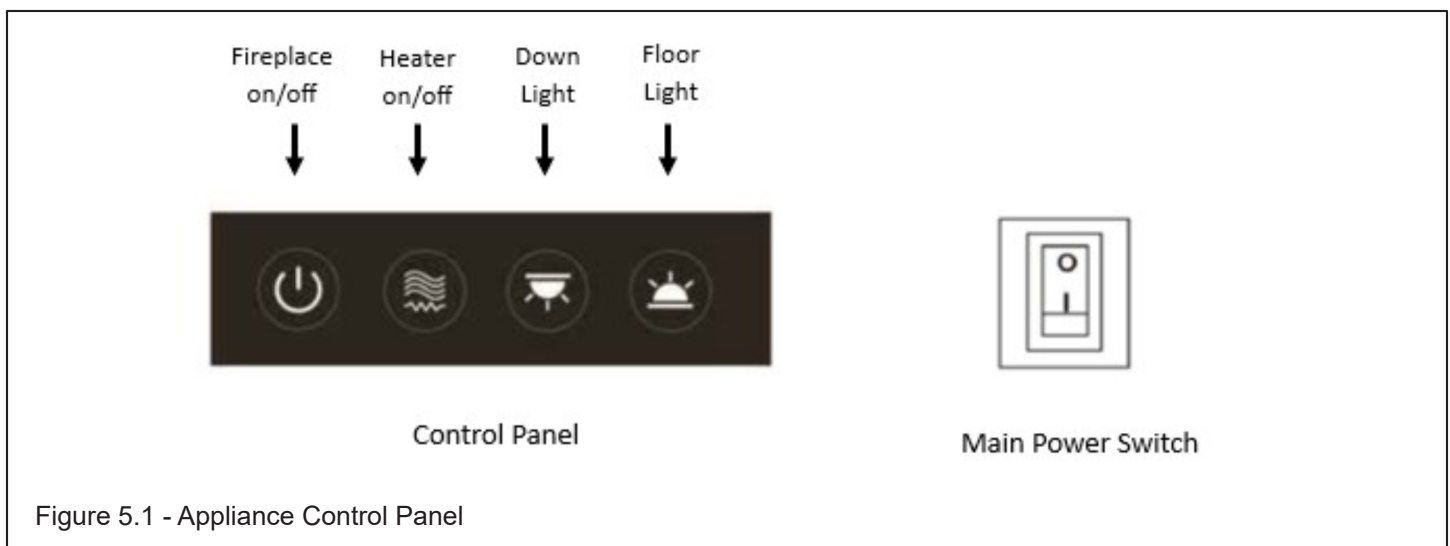


Figure 5.1 - Appliance Control Panel

5.4 Remote Control Operation

- This is a thermostatic remote control. The remote control should always be in the same room as the electric fireplace with the screen on the remote facing up.
- Do not cover the temperature sensor.
- Do not leave the remote control next to the front of the fireplace or a warm area such as a window. This will relate false temperature information to the fireplace and prevent the fireplace from turning on and off accurately in relation to room temperature.



Figure 5.3 - Remote Control

Turning on / off the appliance.

Note: The main power switch on the appliance control panel must be turned on.

- Press the “on/off” button on the remote control to turn the fireplace on or off.

Fireplace Timer

- Press the “Timer” button to cycle between the (8) timer settings.

Down Light Options

- Press the “Down Light” button to cycle between the (3) down light options.

Flame Colors

- Press the “Flame Color” button to cycle between the (7) flame color options.

Flame Effects

- Press the “Flame Effect” button to cycle between the (4) flame effect options.

Display Brightness

- Press the “Display Brightness Adjustment” button to cycle between the (5) brightness options.

Floor LED Colors

- Press the “Floor LED Colors” to cycle between the (13) LED colors.

Log Lights

- Press the “Log Light Brightness” button to cycle between the (3) brightness options.

Night Mode

- Press this button to enter and exit the night mode. “Night Mode” turns off all lights except the “Log Lights”.

Crackling Sound

- Press the “sound” button to turn on/off the crackling sound.

Electric Heating Control

- Press the “Heater On/Off” button to turn on or turn off the electric heater.
- Press the “Heater” button once to turn the electric heater on. This setting provides half power which is 750W.
- Press the “Heater” button a second time to turn the electric heater to full power which is 1500W.

Temperature Setting

- Press the “Temperature Set” button to cycle between the (8) preset temperature settings.

6.0 Maintenance

6.1 Cleaning the Appliance

The appliance should always have power turned off when performing maintenance. Go to the appliance control panel and ensure the toggle switch is in the off position.

- Carefully clean the air inlet and heater area with a cloth or vacuum on a regular basis. It is important that these areas are kept free from dust / pet hairs, etc.
- Do not use abrasive cleaners on this appliance.
- Do not spray liquids directly onto the appliance.
- When cleaning the glass spray glass cleaner onto a cloth and then clean the glass. Dry with a lint free cloth.

IMPORTANT: The glass in the appliance is temperature for safety. If the glass receives a hard impact it will shatter. Take extra care to ensure the corner of the glass to not hit a hard surface.

- If removing the glass from the appliance to clean it then the following precautions need to be followed:
 - Wear safety gloves and glasses.
 - Ensure the glass is placed on a soft surface.
 - Do not rely on the glass suction cups supplied to carry the weight of the glass. These are only provided to tilt the glass back so it can be removed.

6.2 Battery Replacement

Replace the (2) AAA batteries when the battery indicator is empty on the remote. Ensure to replace with the correct type of battery (1.5V AAA), Ensure the batteries are installed in the correct orientation.

7.0 Replacement Parts List



HUSSONG MANUFACTURING CO., INC.

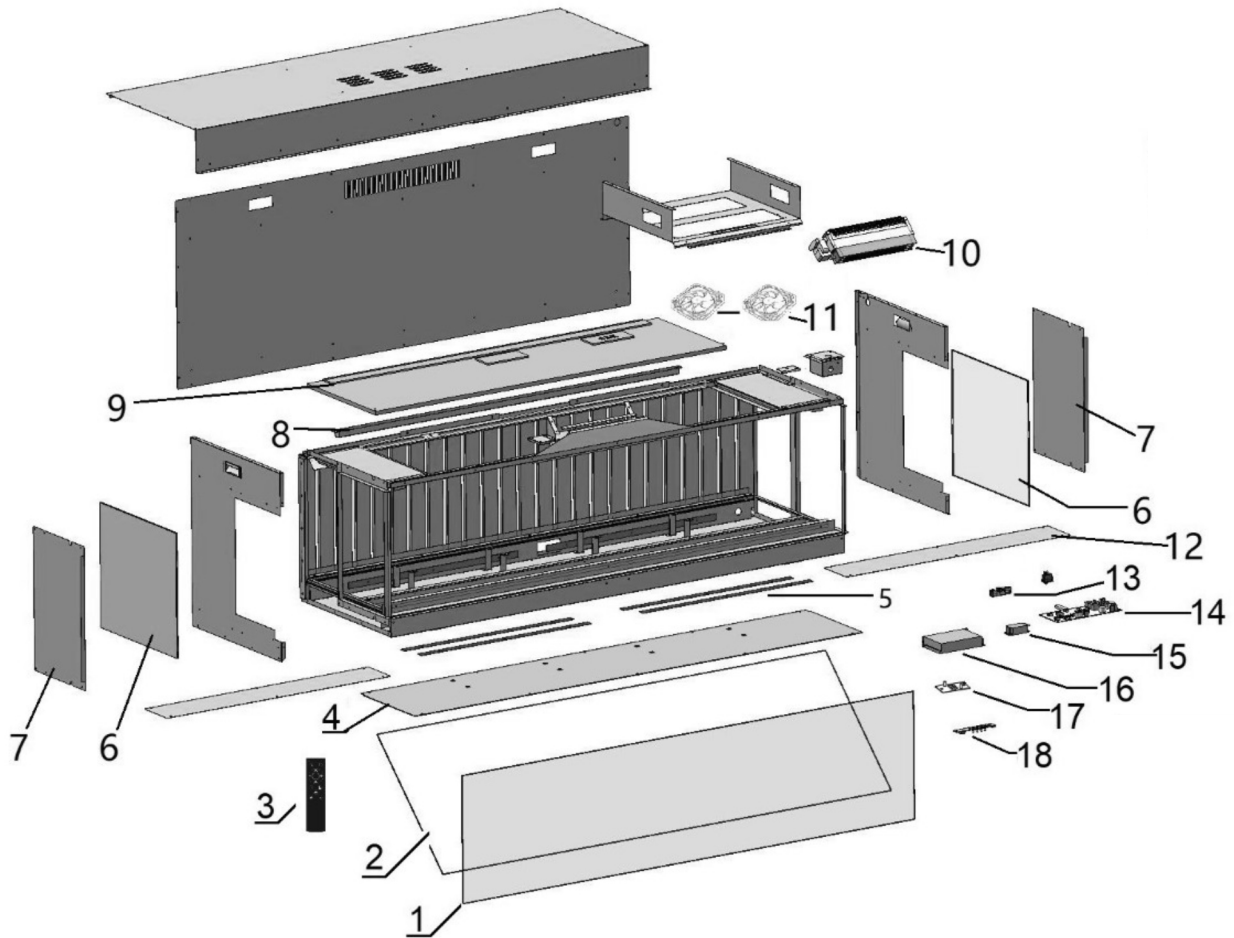
P.O. BOX 557 204 INDUSTRIAL PARK DRIVE LAKEFIELD,
MINNESOTA USA 56150-0577

Replacement parts are available through your local dealer.
Contact your local dealer for availability and pricing. The
following warning is for replacement parts for this appliance.



WARNING: Cancer and Reproductive Harm -

www.P65Warnings.ca.gov.



Osseo x64 Electric Fireplace - Replacement Parts

1	Front Viewing Glass	OSX64-FVG	10	Fan Heating Assembly	OSX-FHA
2	Flame Effect Screen	OSX64-FES	11	Cooling Fan	OSX-FAN
3	Remote Control	OSX-REM	12	Front Floor Panel	OSX64-FFP
4	LED Floor Panel	OSX64-LFP	13	Wireless Remote Receiver	OSX-WRR
5	Floor LED Strip	OSX64-FLS	14	Main Control Board	OSX-MCB
6	Side Viewing Glass	OSX-SVG	15	Speaker	OSX-SPB
7	Side Block-Off Plate	OSX-SBP	16	Power Supply A	OSX-POW
8	LED Accent Down Light	OSX64-DLS	17	App Module	OSX-MOD
9	LCD Display Screen	OSX64-LCD	18	Appliance Control Panel	OSX-ACP

Osseo X-Series Optional Accessories

Osseo x64 Rectangle Surround	OSX64-RS		Osseo x64 Exterior Trim	OSX64-EXT
------------------------------	----------	--	-------------------------	-----------

Osseo X-Series Replacement Logs

Log #1	OSX-LOG1		Log #9	OSX-LOG9
Log #2	OSX-LOG2		Log #10	OSX-LOG10
Log #3	OSX-LOG3		Log #11	OSX-LOG11
Log #4	OSX-LOG4		Log #12	OSX-LOG12
Log #5	OSX-LOG5		Log #13	OSX-LOG13
Log #6	OSX-LOG6		Log #14	OSX-LOG14
Log #7	OSX-LOG7		Log #15	OSX-LOG15
Log #8	OSX-LOG8			

Limited Lifetime Warranty

Warranty Coverage

- Hussong Manufacturing Company, Inc. (Hussong Mfg.) warrants this Kozy Heat electric appliance from the date of purchase to the original purchaser, that it is free of defects in materials and workmanship at the time of manufacture. Registering your fireplace warranty does not require any documents to be sent in to Hussong Mfg. Please retain your proof of purchase reflecting the date of purchase along with the serial number and model of your fireplace for any future warranty claims.

Warranty Conditions

- This warranty only covers Kozy Heat fireplaces that are purchased through a Kozy Heat authorized dealer or distributor. A list of Kozy Heat authorized dealers is available on the Kozy Heat website (www.kozyheat.com).

2 Year Limited Warranty

- Warranty coverage begins on the date of original purchase. In the case of new home construction, warranty coverage begins on the date of first occupancy of the dwelling or six months after the sale of the product by an independent, authorized Kozy Heat dealer/distributor, whichever occurs earlier. The warranty shall commence no later than 24 months of the occupancy date.
- Hussong Mfg. will warranty all parts for 2 years and labor reimbursement for 1 year, unless any exclusions apply.
- **Hussong Mfg. will issue labor reimbursement to an authorized dealer only. Hussong Mfg. will not be liable for charges occurred as a result of any service work performed by a non-authorized service provider, without pre-authorization.**

EXCLUSIONS AND LIMITATIONS

1. This appliance must be installed by a licensed, authorized service technician or contractor. It must be installed, operated and maintained at all times in accordance with the instructions in the owner's manual or the warranty is void.
2. This warranty is nontransferable and is made to the original purchaser only.
3. Changes in surface finishes as a result of normal operation. As a heating appliance, some changes in the color of interior and exterior surface finishes may occur. This is not a flaw and is not covered under warranty.
4. Damage to plated surfaces or accessories, if applicable, caused by scratches, fingerprints, melted items or other external sources left on the surfaces from the use of cleaners is not covered under this warranty.
5. Repair or replacement of parts that are subject to normal wear and tear during the 24 month warranty period. These parts include: paint, batteries, and discoloration of glass.
6. Damages resulting from: (1) failure to install, operate, or maintain the appliance in accordance with the installation instructions, operating instructions, and listing agent identification label furnished with the appliance; (2) shipping or improper handling; (3) improper operation, abuse, misuse, continued operation with damaged, corroded, or failed components, accident, or improperly/incorrectly performed repairs; (4) environmental conditions; (5) installation or use of components not supplied with the appliance or any other components not expressly authorized and approved by Hussong Mfg.; (6) modification of the appliance not expressly authorized and approved by Hussong Mfg. in writing; and/or (7) interruptions or fluctuations of electrical power supply to the appliance.
7. Hussong Mfg. may require the defective part to be returned using a pre-authorized RGA number or a photo of the defective component. Failure to provide either can result in a denied claim.
8. This warranty is void if: (1) the appliance is subject to, or operated in, atmospheres contaminated by chlorine, fluorine, or other damaging chemicals; (2) the appliance is subjected to, or operated in, places with prolonged periods of dampness or condensation or weather. Examples include but are not limited to outdoors, porches, and laundry rooms; and/or (3) there is any damage to the fireplace or other components due to water or weather damage.
9. It is expressly agreed and understood that this warranty is Hussong Mfg.'s sole obligation and purchaser's exclusive remedy for defective fireplace equipment. Hussong Mfg. is free of liability for any damages caused by this appliance, as well as inconvenience expenses and materials. Incidental or consequential damages are not covered by this warranty. In some states, the exclusion of incidental or consequential damage may not apply. Hussong Mfg. shall not be held to implied warranties and this warranty shall replace all previous warranties.
10. This warranty does not cover the appliances ability to heat a desired space, as there are many factors that can impact the heating performance in each home. Consideration should be implied to the appliance's location, room size, home design, environmental conditions, insulation, and tightness of the home.
11. Hussong Mfg. reserves the right to make changes at any time, without notice, in design, material, specifications, and prices. Hussong Mfg. reserves the right to discontinue models and products.