



Komfort Zone Kit #KZK-1510A

For use with Bellingham 38 (#BHM-38 & #BHM-38-BW), Bellingham 44 (#BHM-44 & #BHM-44-BW), Callaway See-Thru (#CLW-ST), Callaway 50 (#CLW-50 & #CLW-50-MV), Nordik 36 DV (#NDK-36-DV), and Nordik 41 DV (#NDK-41-DV).

READ ALL THESE STEPS BEFORE STARTING INSTALLATION. LEAVE THESE INSTRUCTIONS WITH THE APPLIANCE.

This kit must be installed by a qualified installer, service agency, or gas supplier at the time of the heater installation. These instructions must be used in conjunction with the installation and operation manual provided with the appliance.

Please read all appliance owner’s manual completely before performing any procedures in these instructions.



- 1.0 Introduction 3
 - 1.1 Kit Contents 3
 - 1.2 Suggested Configurations 4
 - 1.3 Dimensions and Overview 6
 - 1.4 Air Duct Run 6
- 2.0 Framing and Clearances 7
 - 2.1 Clearance to Sprinkler & Ceiling 7
 - 2.2 Plenum Framing 7
 - 2.3 Enclosure Framing 12
 - 2.4 Shelf Requirements 18
 - 2.5 Callaway ST Plenums Front Clearance 22
- 3.0 Facing and Finishing 23
 - 3.1 Fireplace Specific Information 23
 - 3.2 Non-Combustible Facing Requirements 27
 - 3.3 Finishing Requirements 33
 - 3.4 Hearth and Mantel Clearances 40
- 4.0 Fireplace Preparation & Installation 48
 - 4.1 Callaway 50 & Callaway 50 MV 48
 - 4.2 Callaway ST 50
 - 4.3 Bellingham 38 & Bellingham 44 52
 - 4.4 Nordik 36 DV & Nordik 41 DV 54

English and French installation manuals are available through your local dealer. Visit our website www.kozyheat.com.

Les manuels d’installation en français et en anglais sont disponibles chez votre détaillant local. Visitez www.kozyheat.com.

INSTALLER: Leave this manual with the appliance.

CONSUMER: Retain this manual for future reference.

IMPORTANT: Failure to read and follow these instructions may create a possible hazard and will void the fireplace warranty.

1.0 Introduction

1.1 Kit Contents

ALL kit contents must be installed.

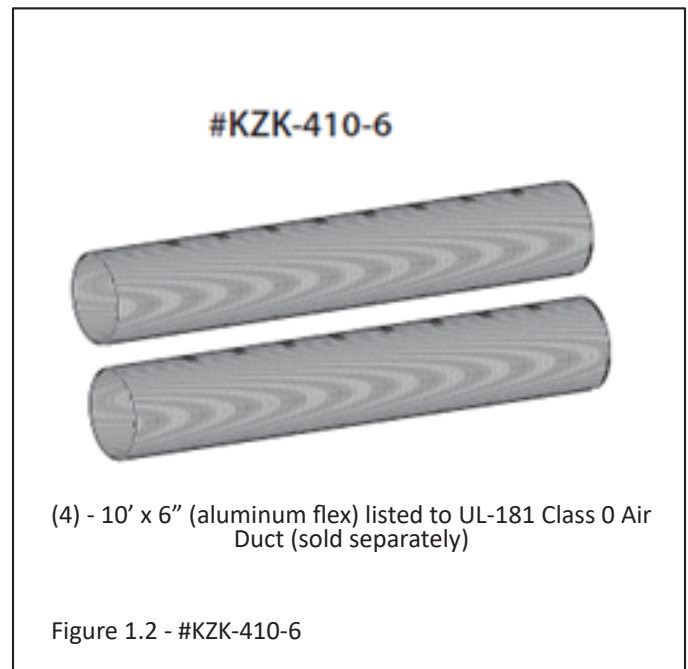
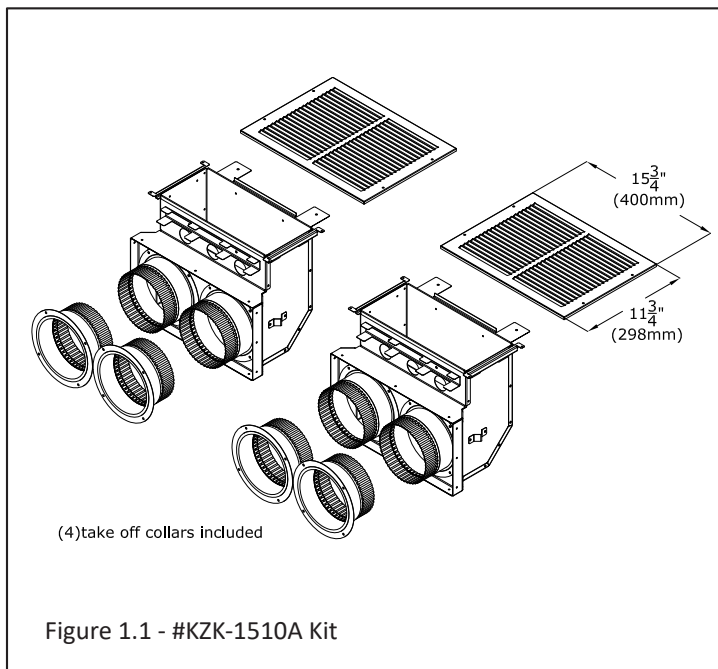
- (2) 15" plenums
- (2) air grilles
- (8) 6" collars - (4) attach to the bottom of the plenums; (4) attach to where the cover plates are removed.

Additional Required Items

- (1) KZK-410-6 (sold separately) is used for a 10' vent run. If you are mounting the plenum above the fireplace 10' (3m) or less, use (1) KZK-410-6 kit.

Optional Items

- If you are mounting the plenums above the fireplace between 10' to 20', you will need (2) KZK-410-6 kits and (1) #KZK-CPL6 coupler kit. KZK-CPL6 (sold separately) is (4) 6" couplers that connect (2) KZK-410-6.

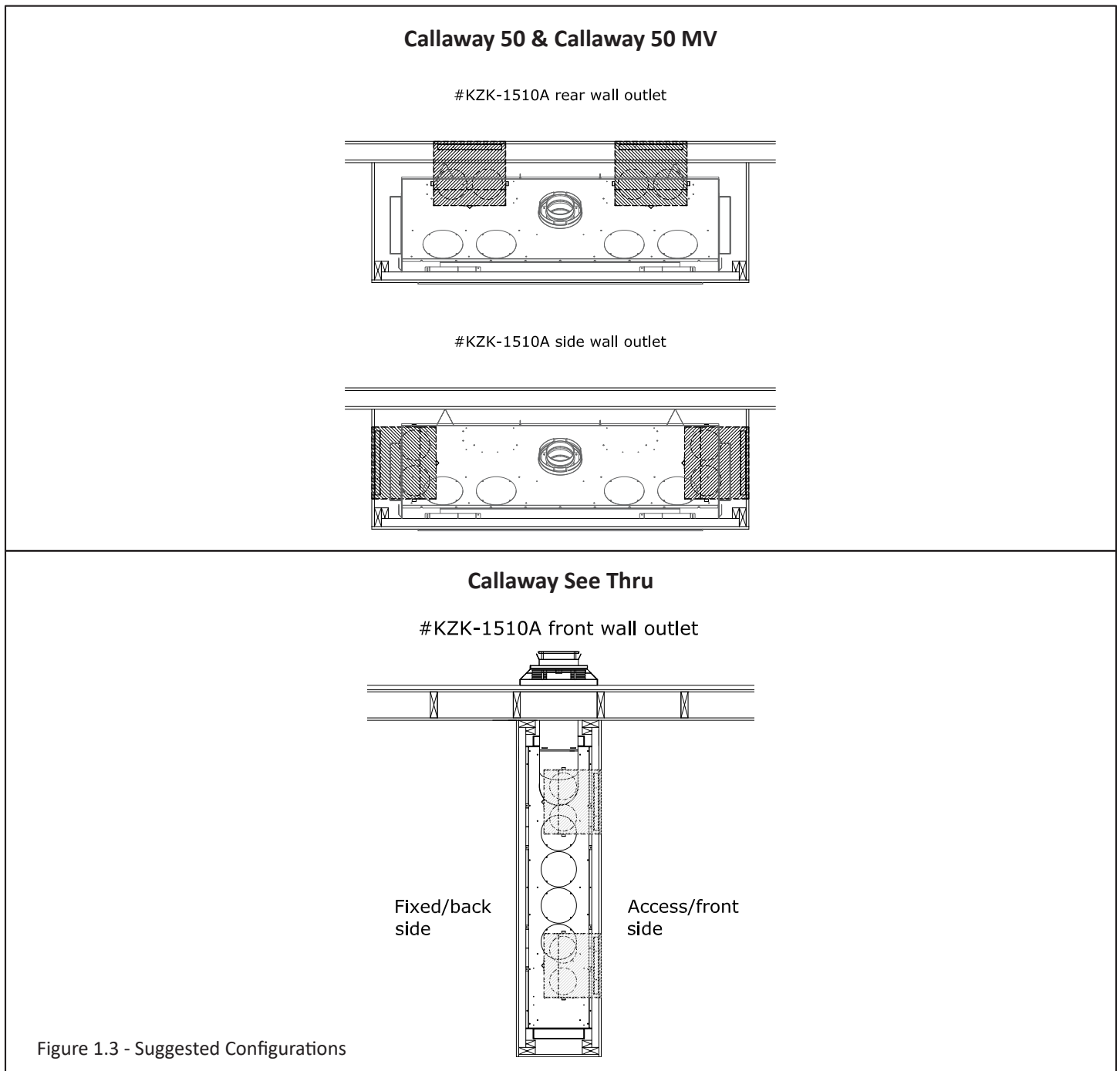


1.2 Suggested Configurations

When installing the #KZK-1510A, take in consideration the fireplace venting and the plenums tube configuration. The (2) plenums and the (2) air grilles in this kit are required and both must be installed.

Callaway 50: This fireplace allows the KZK-1510A to be installed on the sides of the fireplace enclosure or out the rear of the fireplace enclosure into a different interior room.

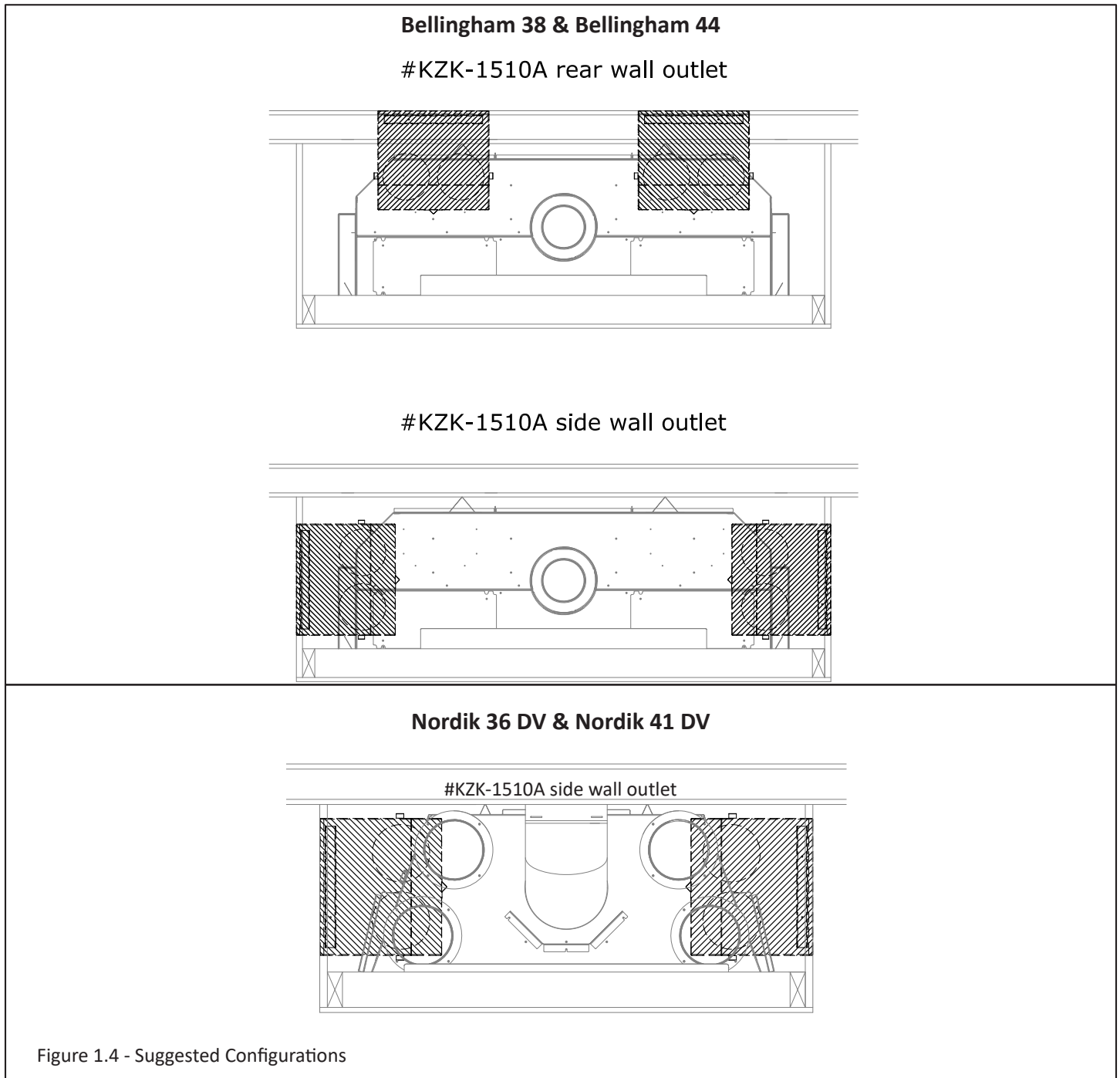
Callaway ST: The plenums can be discharged on either the fixed or access side of the fireplace enclosure.



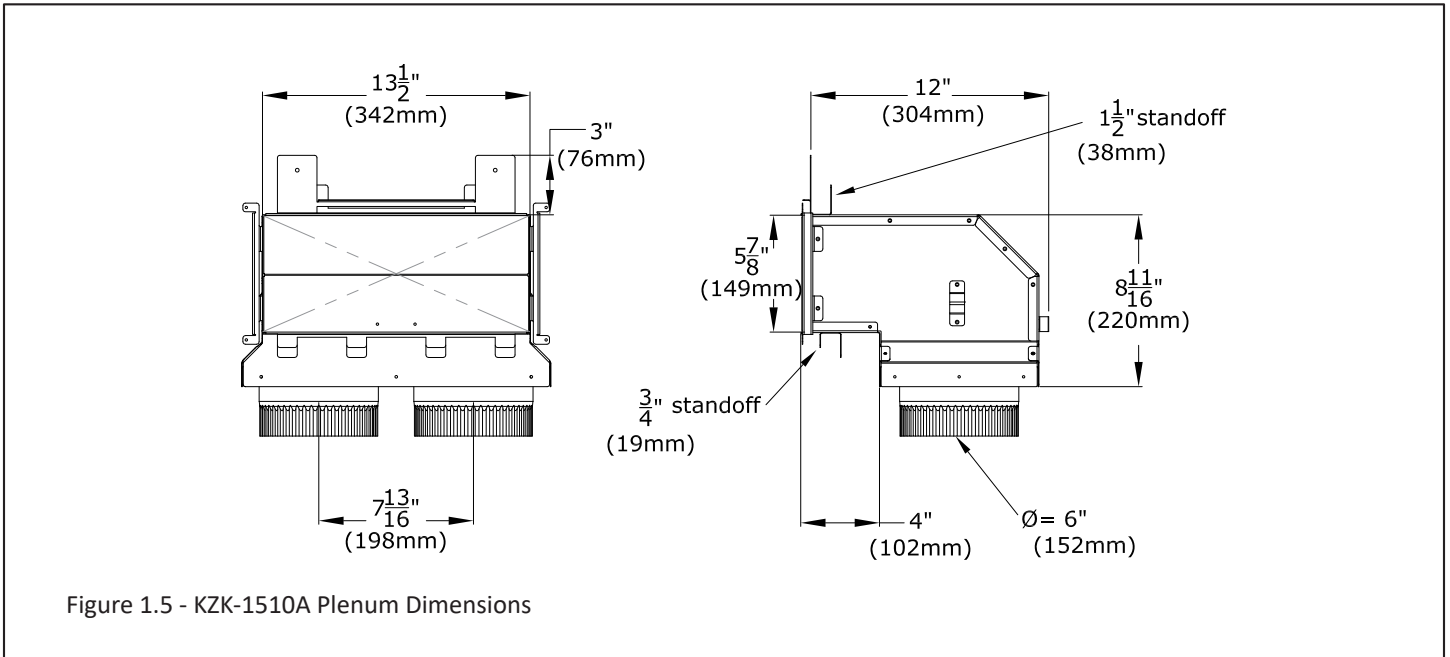
1.2 Suggested Configurations (continued)

Bellingham 38 & Bellingham 44: These fireplaces allow the KZK-1510A to be installed on the sides of the fireplace enclosure or out the rear of the fireplace enclosure into a different interior room.

Nordik 36 DV & Nordik 41 DV: These fireplaces allow the KZK-1510A to be installed only on the sides of the fireplace enclosure.



1.3 Dimensions and Overview



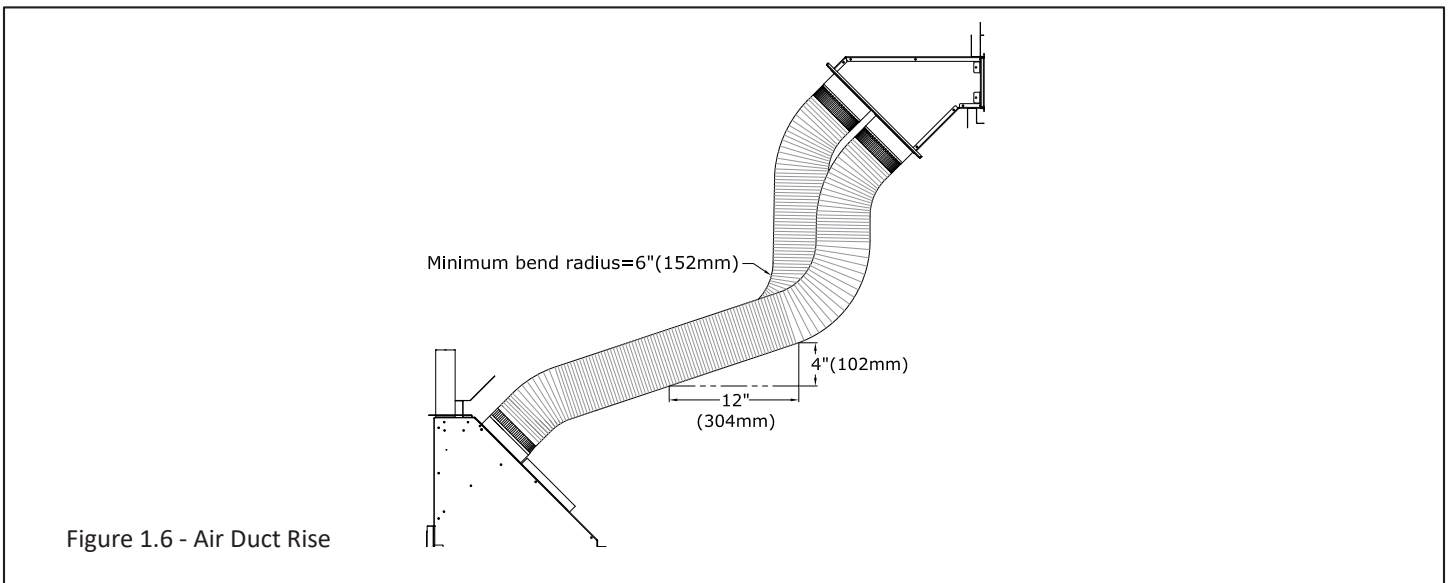
1.4 Air Duct Run

IMPORTANT: The air duct run cannot run horizontally without a vertical rise. A minimum 4" (102mm) vertical rise for every 12" (305mm) horizontal run.

IMPORTANT: The 1/2" (13mm) clearance around the air ducts must be maintained.

Use #KZK-410-6 UL181 Class 0 Air Duct piping to connect the plenums to the fireplace. Hussong Mfg. Co., Inc. requires air ducts to be listed as UL181 Class 0 Air Duct to connect the plenums to the fireplace.

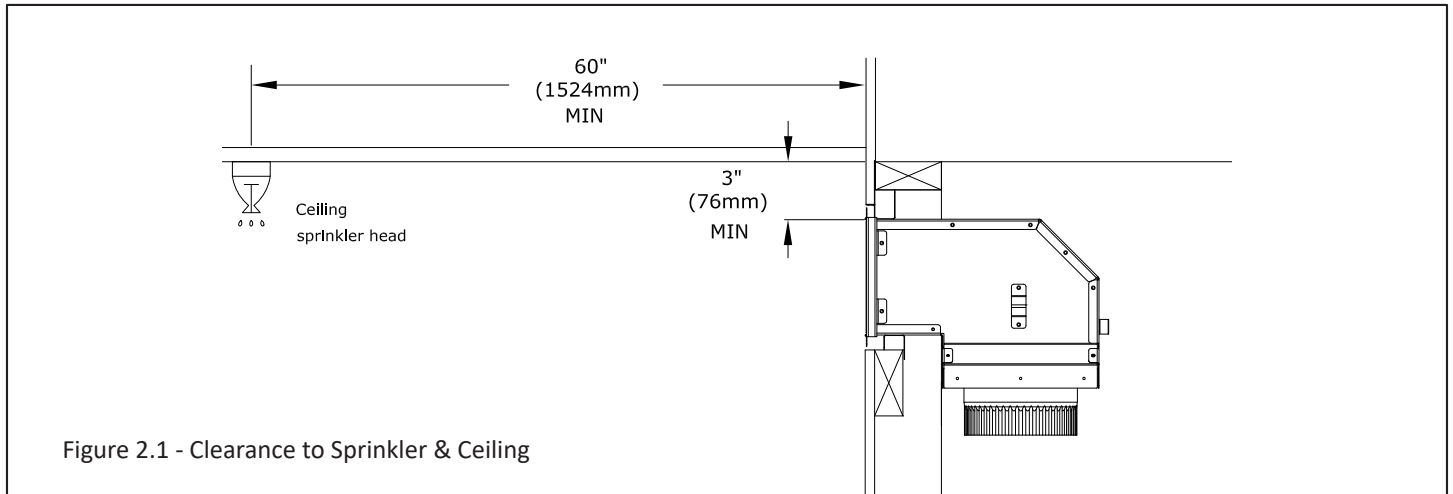
Maximum Vent Run: 20' (6.10m)



2.0 Framing and Clearances

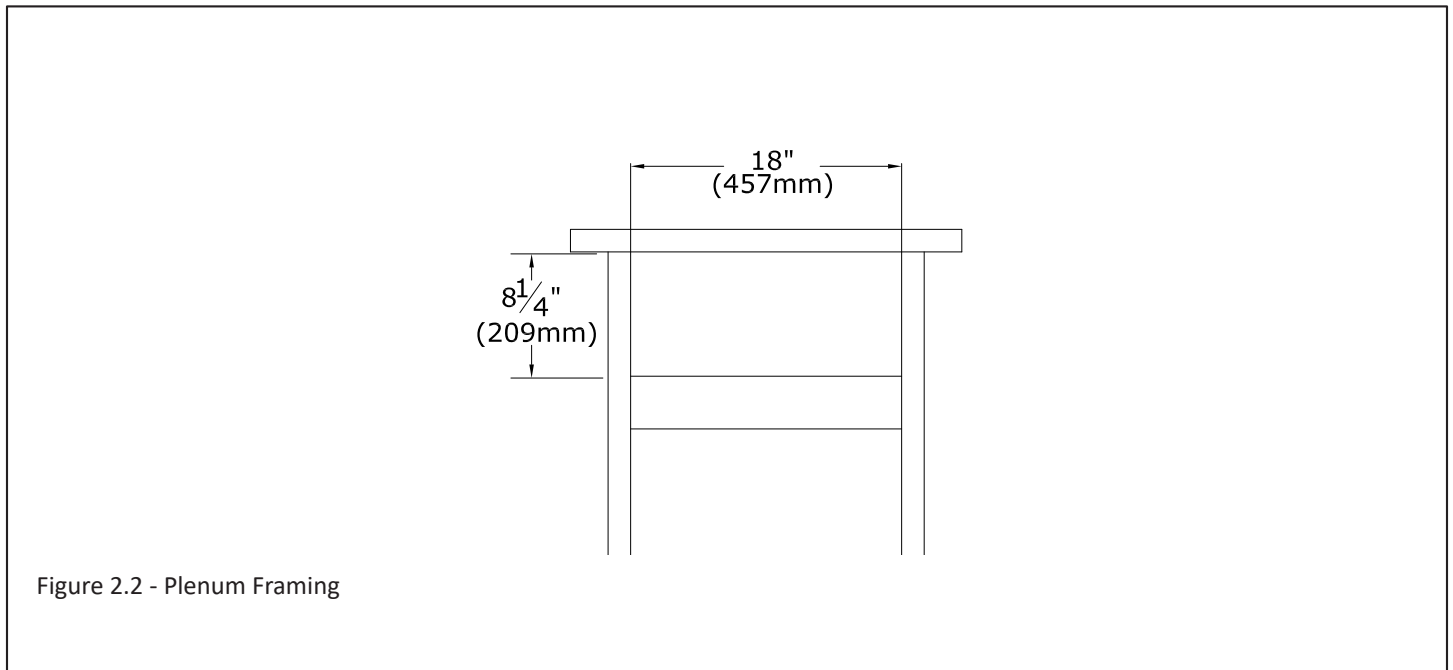
2.1 Clearance to Sprinkler & Ceiling

- In a situation where a sprinkler head is installed within the proximity to a #KZK discharge opening, the diagram below **MUST** be followed.
- The distance between a sprinkler head and discharge opening cannot be less than 60" (1524mm) in length at every point from the origin of the discharge opening. You must also verify the sprinkler head sensor is set to the proper heat setting so it does not activate when the room heats up from the fireplace being operated normally.
- Please follow local building codes to determine what temperature setting is relevant for your installation.



2.2 Plenum Framing

- This section shows the rough plenum framing dimensions and clearances. There may be additional information for the fireplace installation in the fireplace manual.
- The framing dimensions for the rough opening should allow for the wall covering thickness and facing materials. Please refer to Section 3.0 for specific facing and finishing options.



2.2.1 Callaway 50 & Callaway 50 MV Plenum Framing

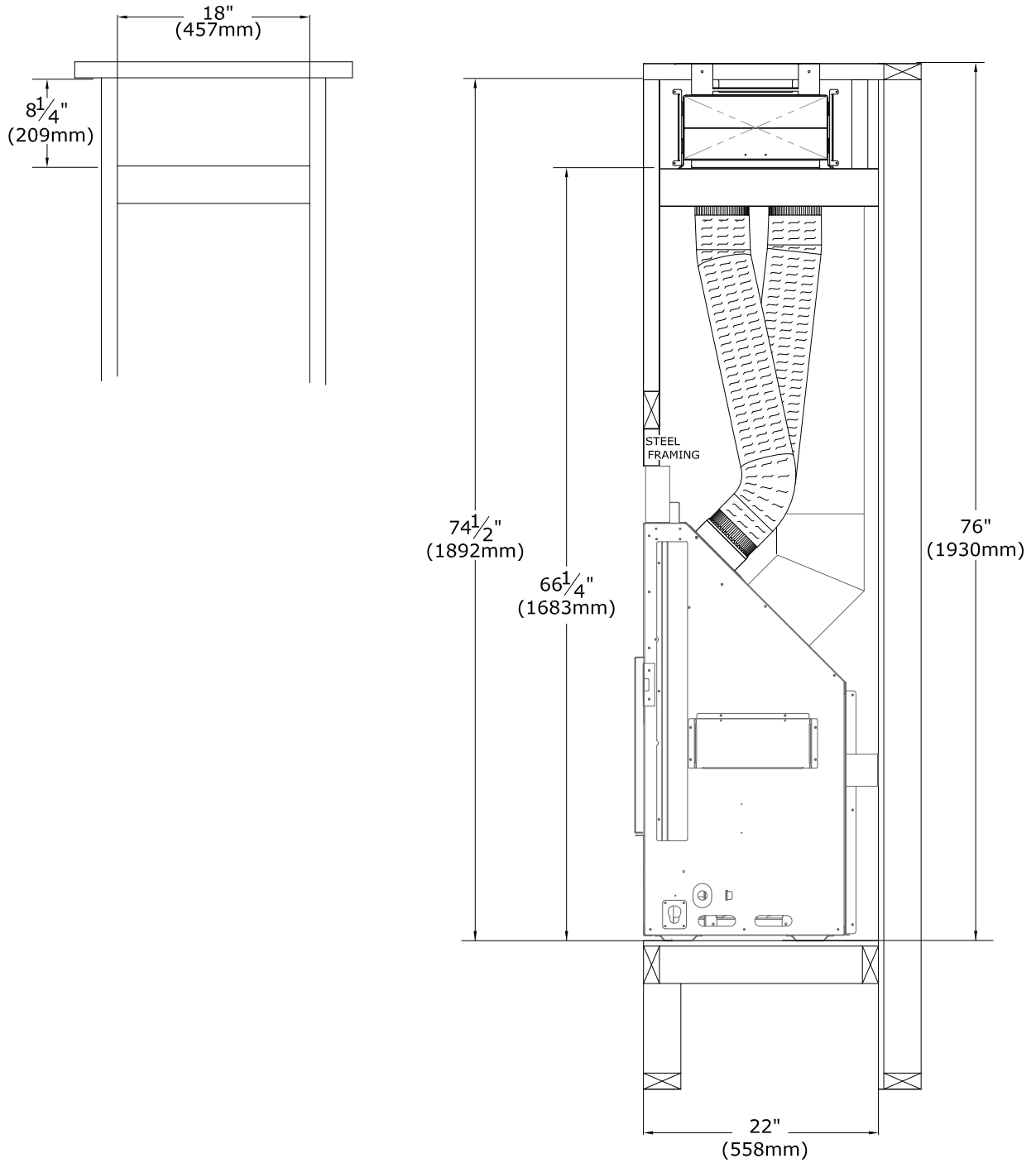


Figure 2.3 - Callaway 50 & Callaway 50 MV Plenum Framing

2.2.2 Callaway ST Plenums Framing

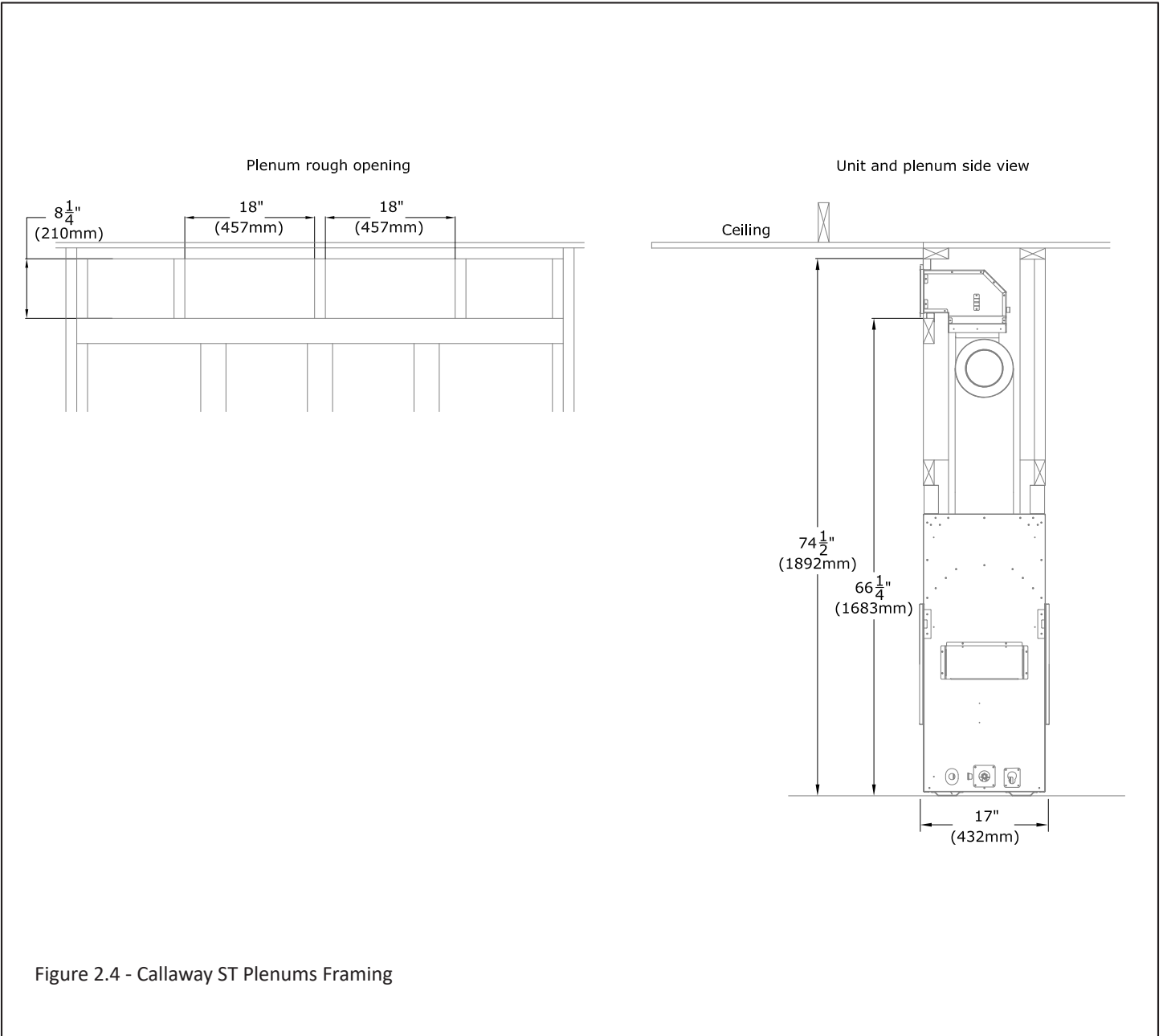


Figure 2.4 - Callaway ST Plenums Framing

2.2.3 Bellingham 38 & Bellingham 44 Plenum Framing

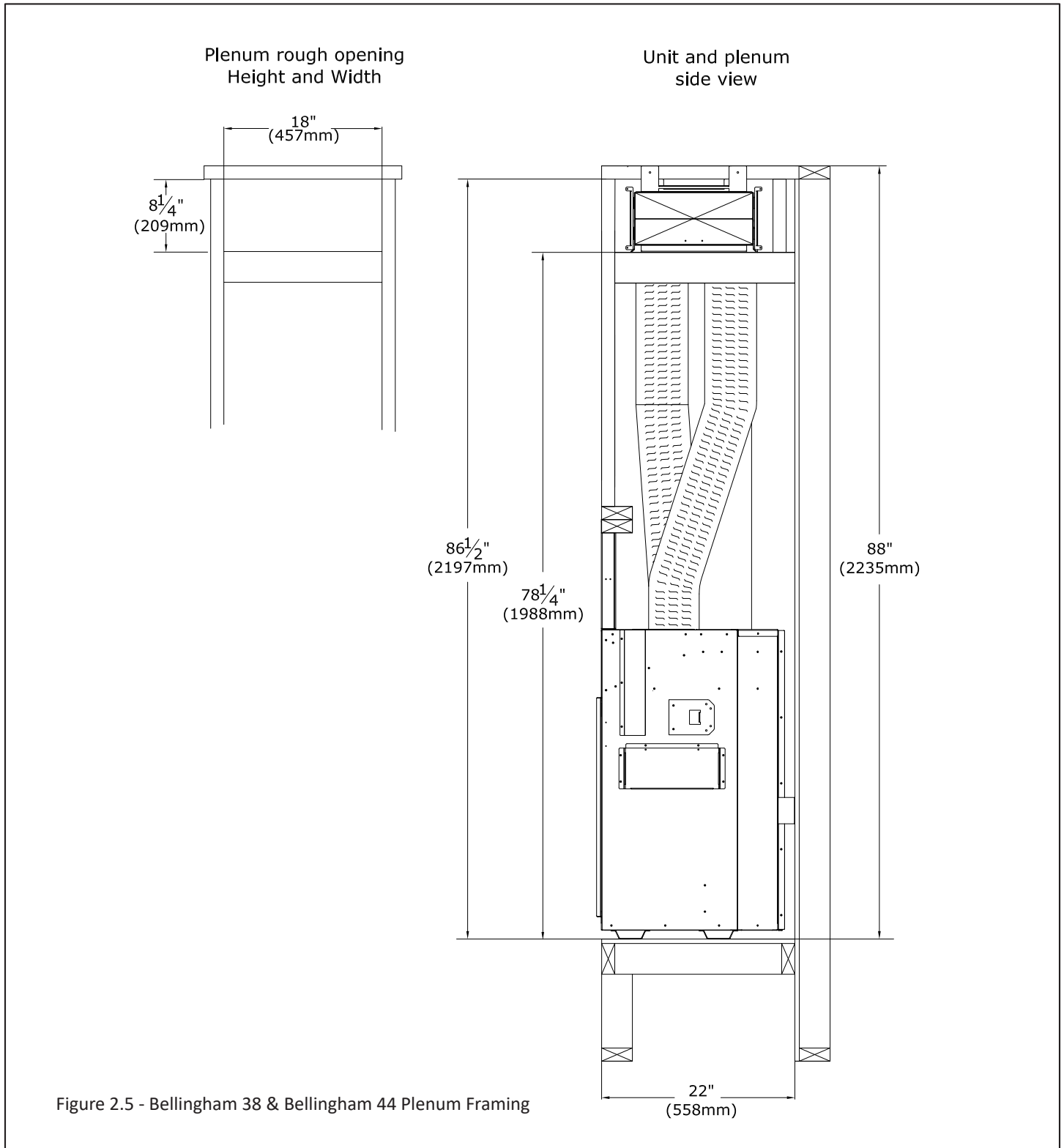
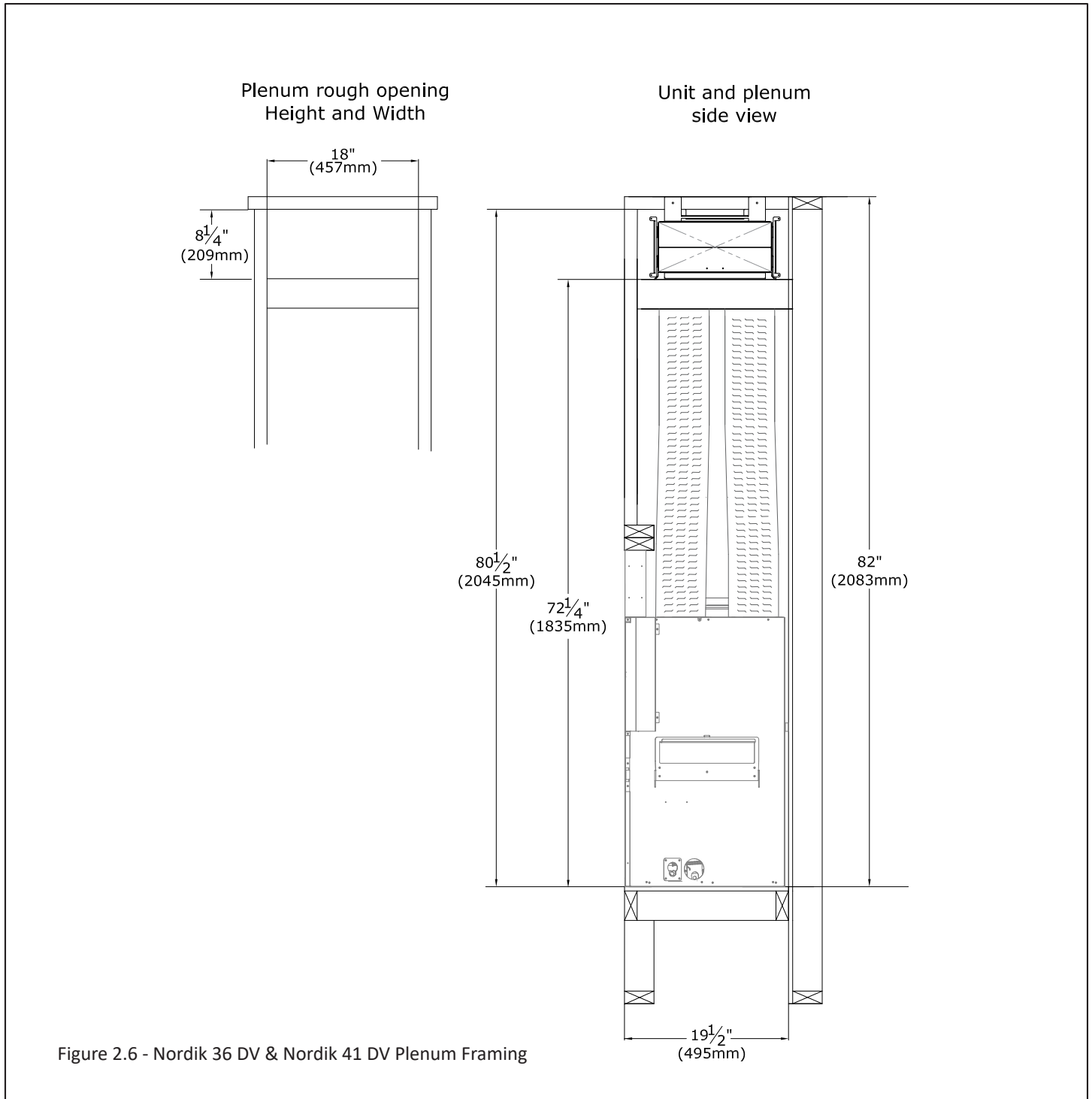


Figure 2.5 - Bellingham 38 & Bellingham 44 Plenum Framing

2.2.4 Nordik 36 DV & Nordik 41 DV Plenum Framing

Figure 2.6 shows the Nordik 36 DV. The Nordik 41 DV has different side heat shields but the dimensions and information is the same.

Note: For both fireplace models, if you frame the fireplace chamber at the minimum chamber depth, you will need to notch out a portion of the cripple stud to maintain 18" (457mm) minimum clearance in the KZK plenums. If you do not want to notch the cripple stud, you will need to increase the chamber depth to 21-1/2" (546mm).



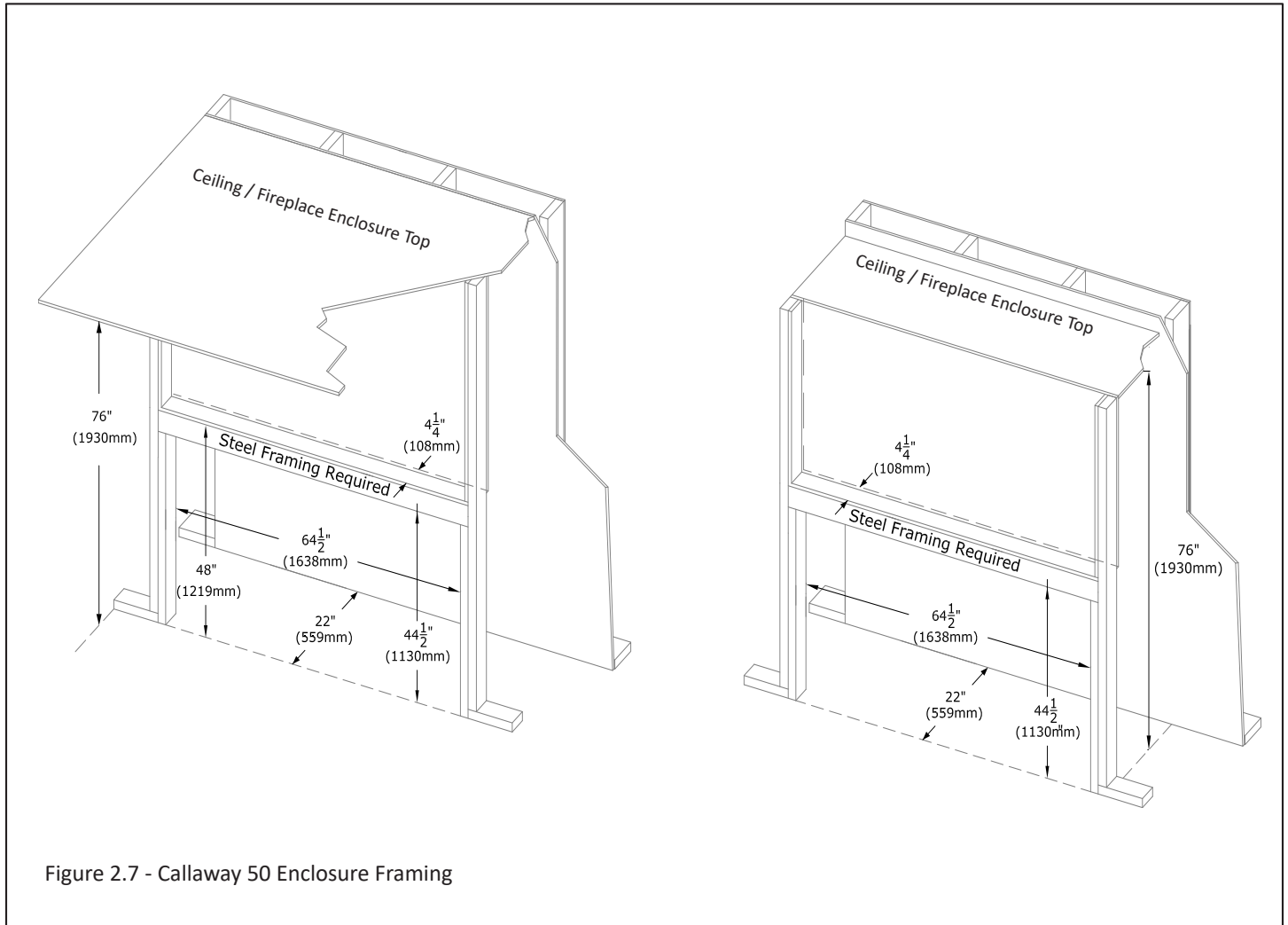
2.3 Enclosure Framing

2.3.1 Callaway 50 & Callaway 50 MV Enclosure Framing

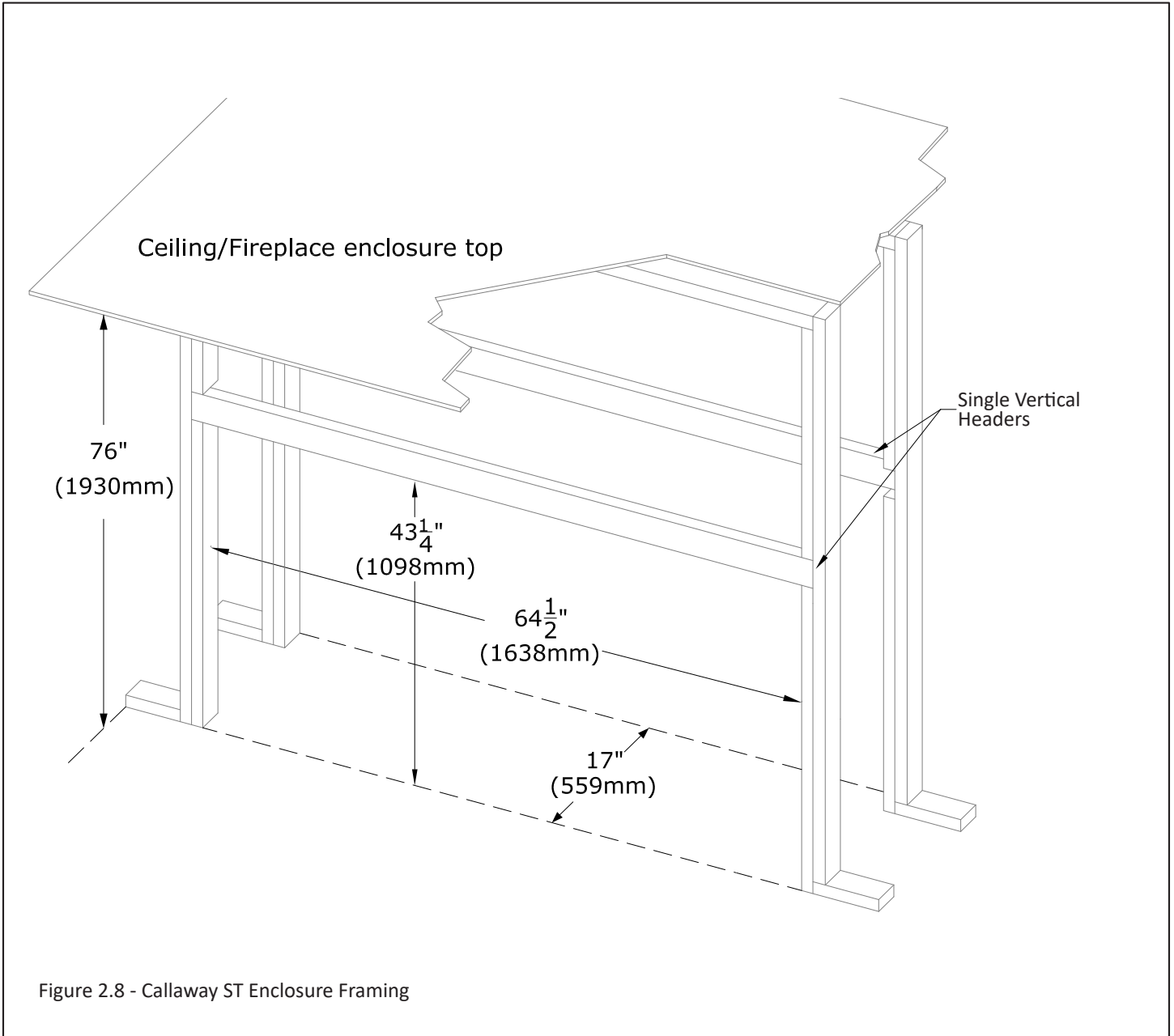
All figures are shown using nominal 2"x4" framing used in interior enclosure framing.

Rough opening framing dimensions should allow for wall covering thickness and facing materials.

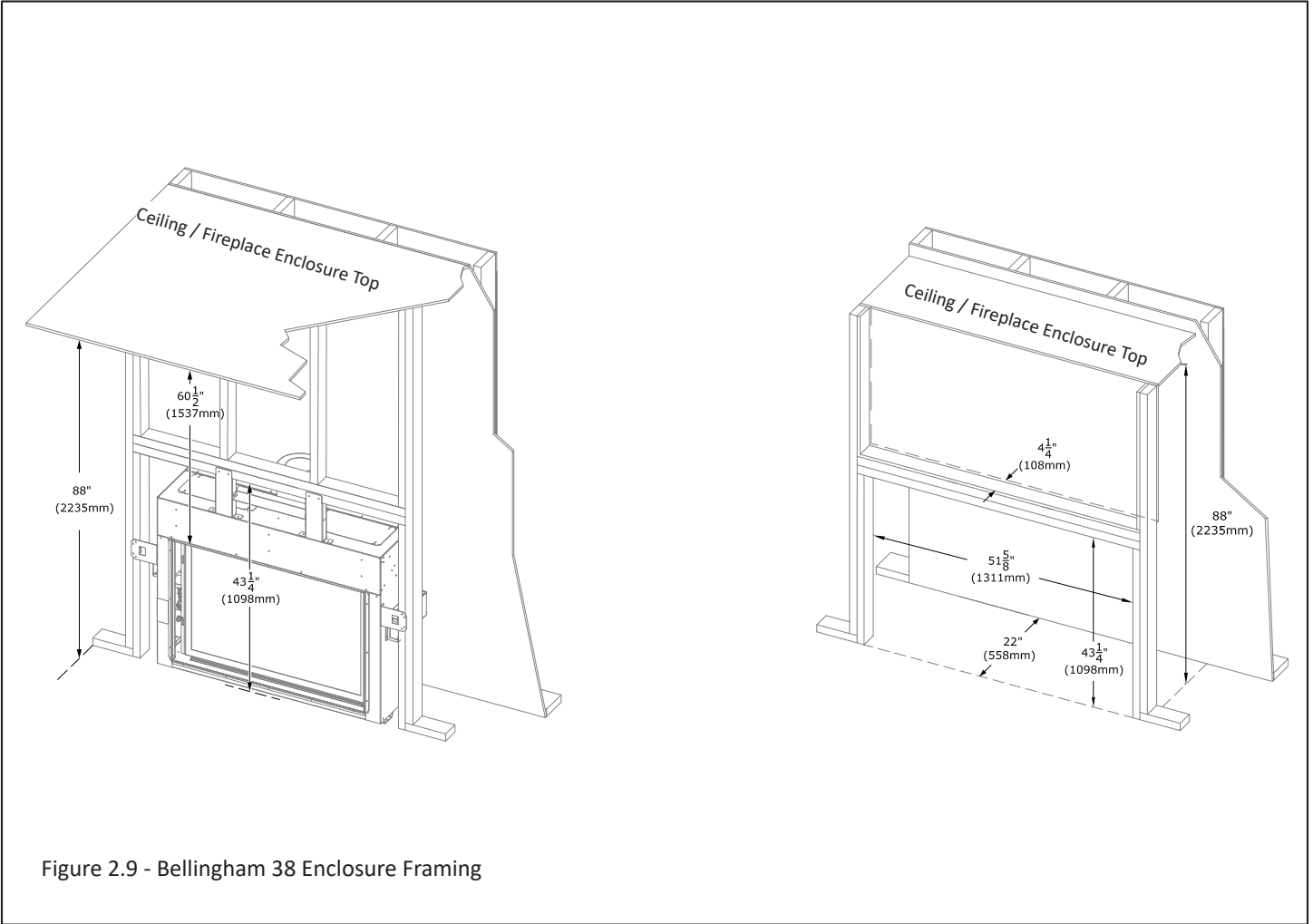
Recessed TV Pocket: The minimum clearance to the recessed TV pocket is measured from the base of the fireplace. The allowed TV recess of 4-1/4" (108mm) measures from the front of the nominal 2x4" framing to the backside of the finishing material of the pocket.



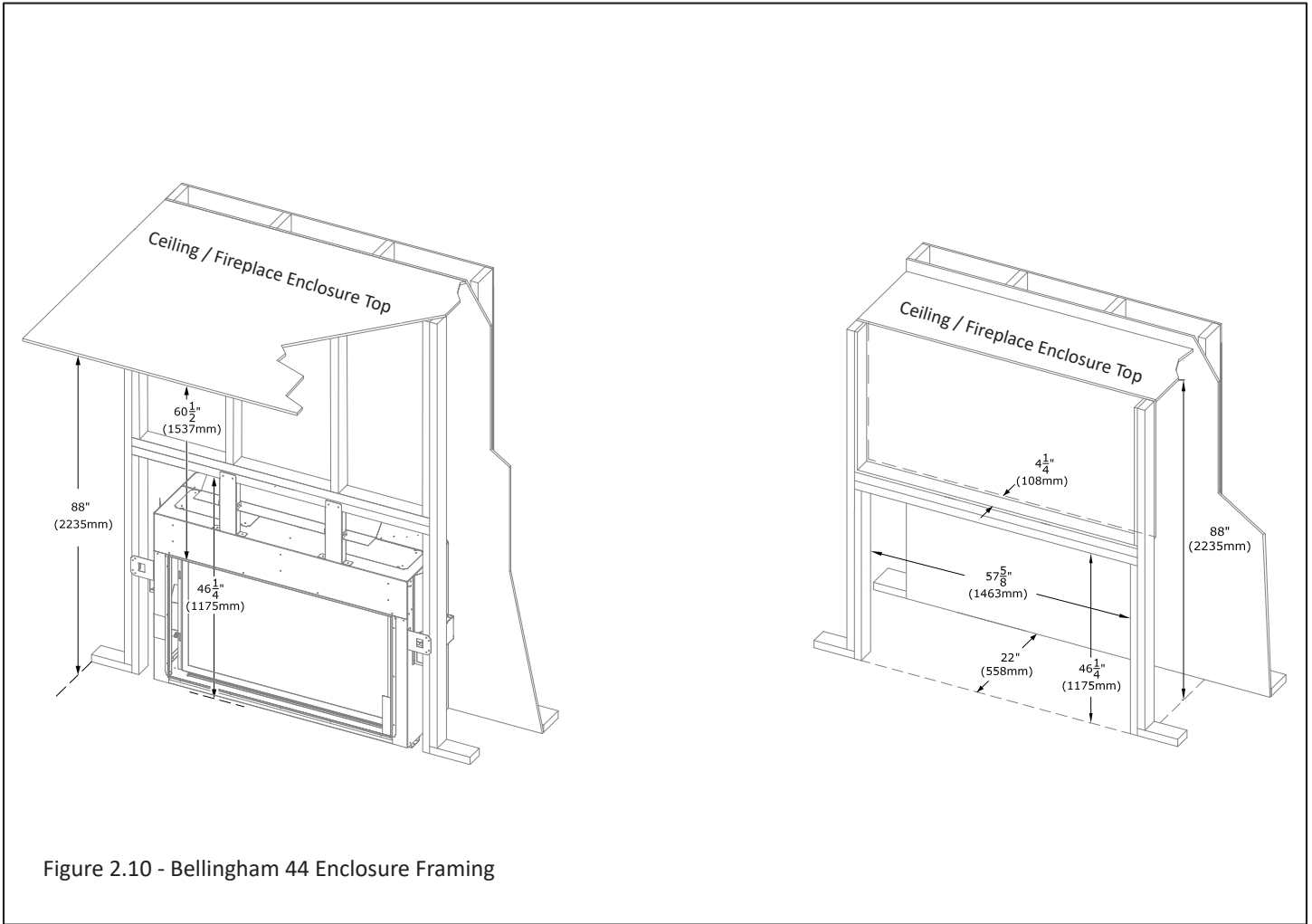
2.3.2 Callaway ST Enclosure Framing



2.3.3 Bellingham 38 Enclosure Framing



2.3.4 Bellingham 44 Enclosure Framing



2.3.5 Nordik 36 DV Enclosure Framing

If you frame the fireplace chamber at the minimum chamber depth, you will need to notch out 2" (51mm) across the width of the cripple vertical stud to maintain the 18" (457mm) minimum required clearance in the KZK plenums. If you do not want to notch the cripple vertical stud, you will need to increase the chamber depth to 21-1/2" (546mm).

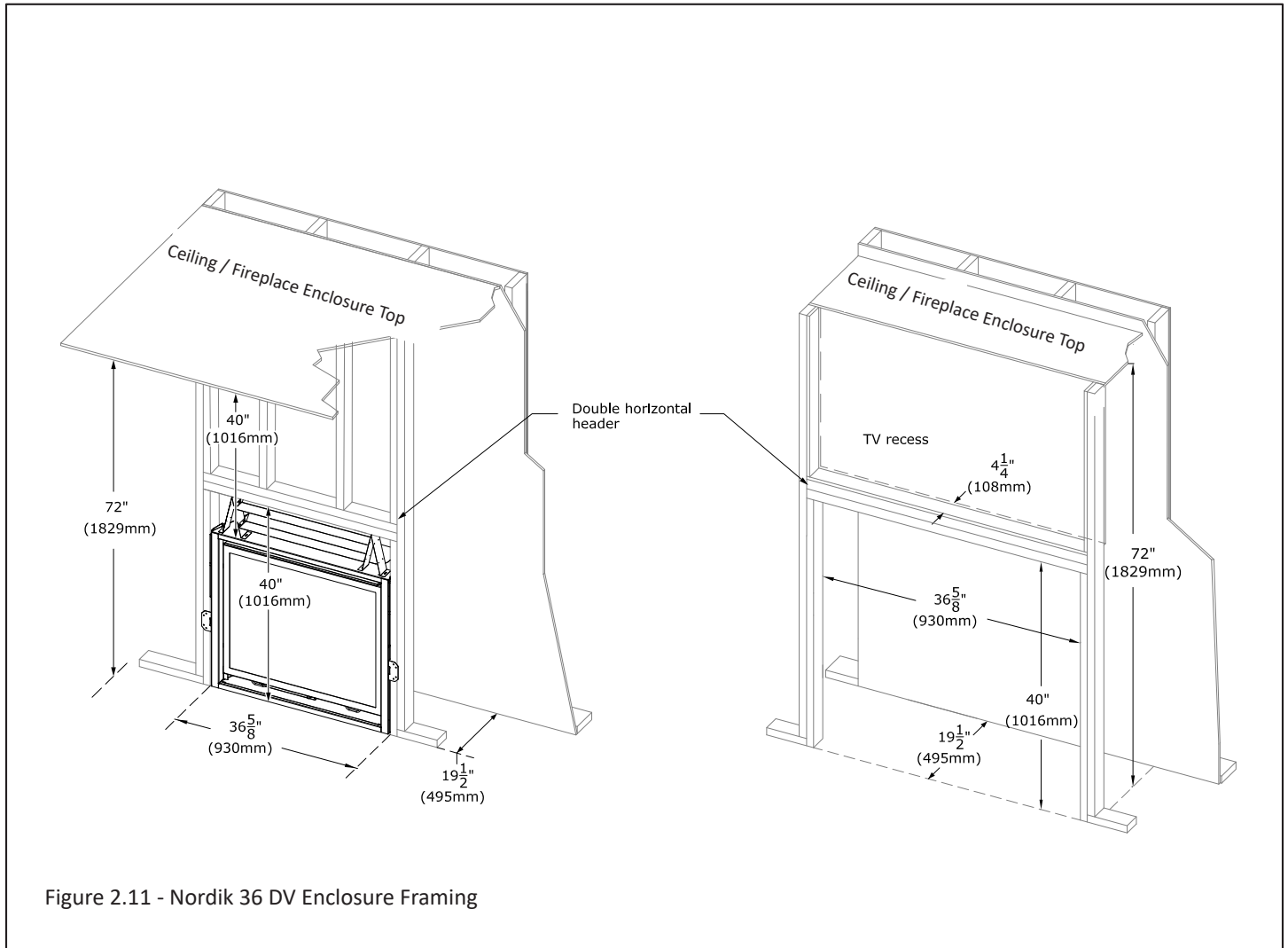
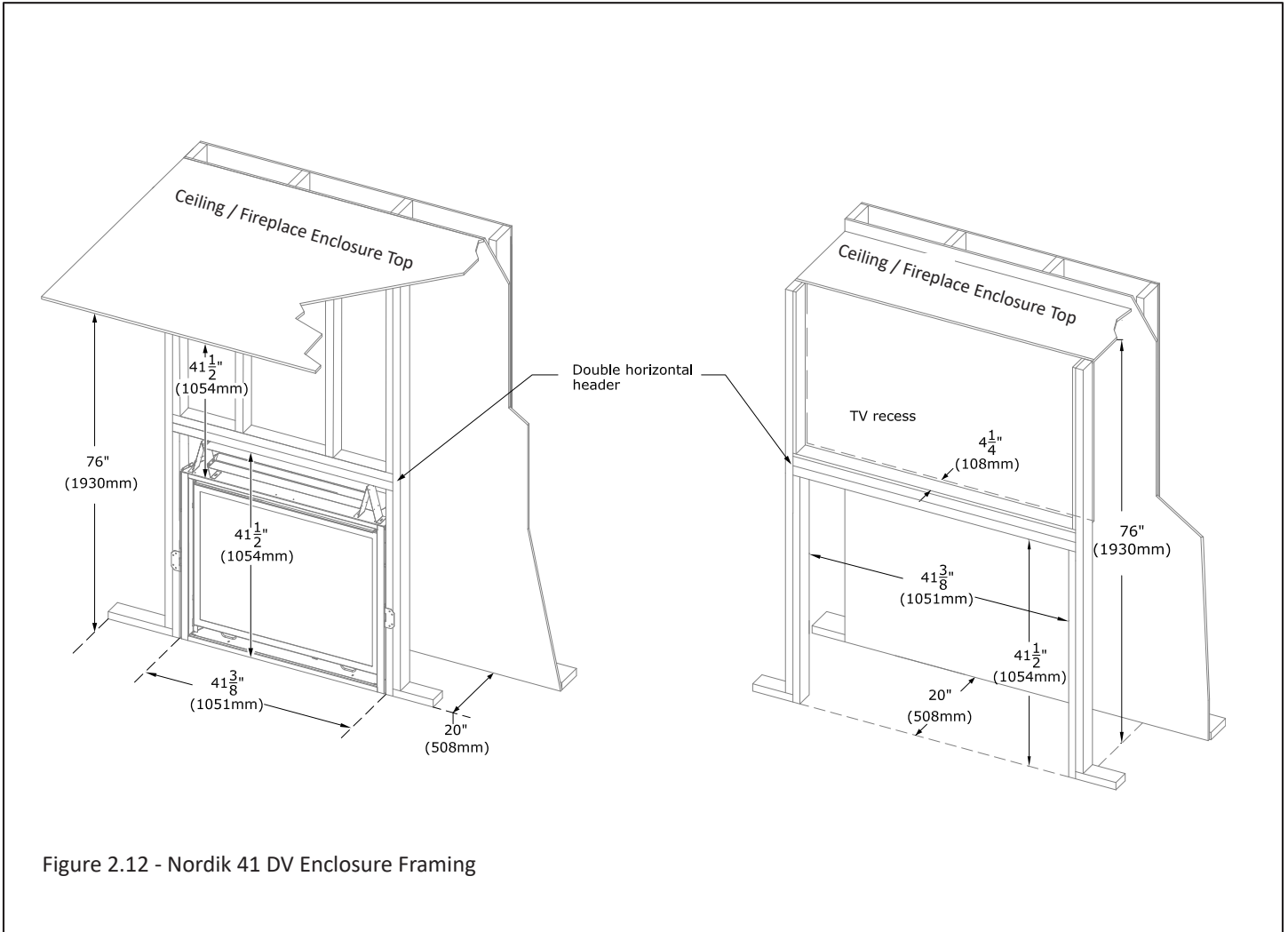


Figure 2.11 - Nordik 36 DV Enclosure Framing

2.3.6 Nordik 41 DV Enclosure Framing

If you frame the fireplace chamber at the minimum chamber depth, you will need to notch out 2" (51mm) across the width of the cripple vertical stud to maintain the 18" (457mm) minimum required clearance in the KZK plenums. If you do not want to notch the cripple vertical stud, you will need to increase the chamber depth to 21-1/2" (546mm).



2.4 Shelf Requirements

The drawings in this section show the framing requirements if you desire the air discharge opening to be located within the bump-out or bookshelf framing.

NOTE: There may be certain fireplace models that have a difference in the minimum chamber height of the fireplace compared to the minimum height of the shelf enclosure, as shown in Figure 2.13. Take consideration of this.

2.4.1 Shelf Requirements - Callaway 50 & Callaway 50 MV

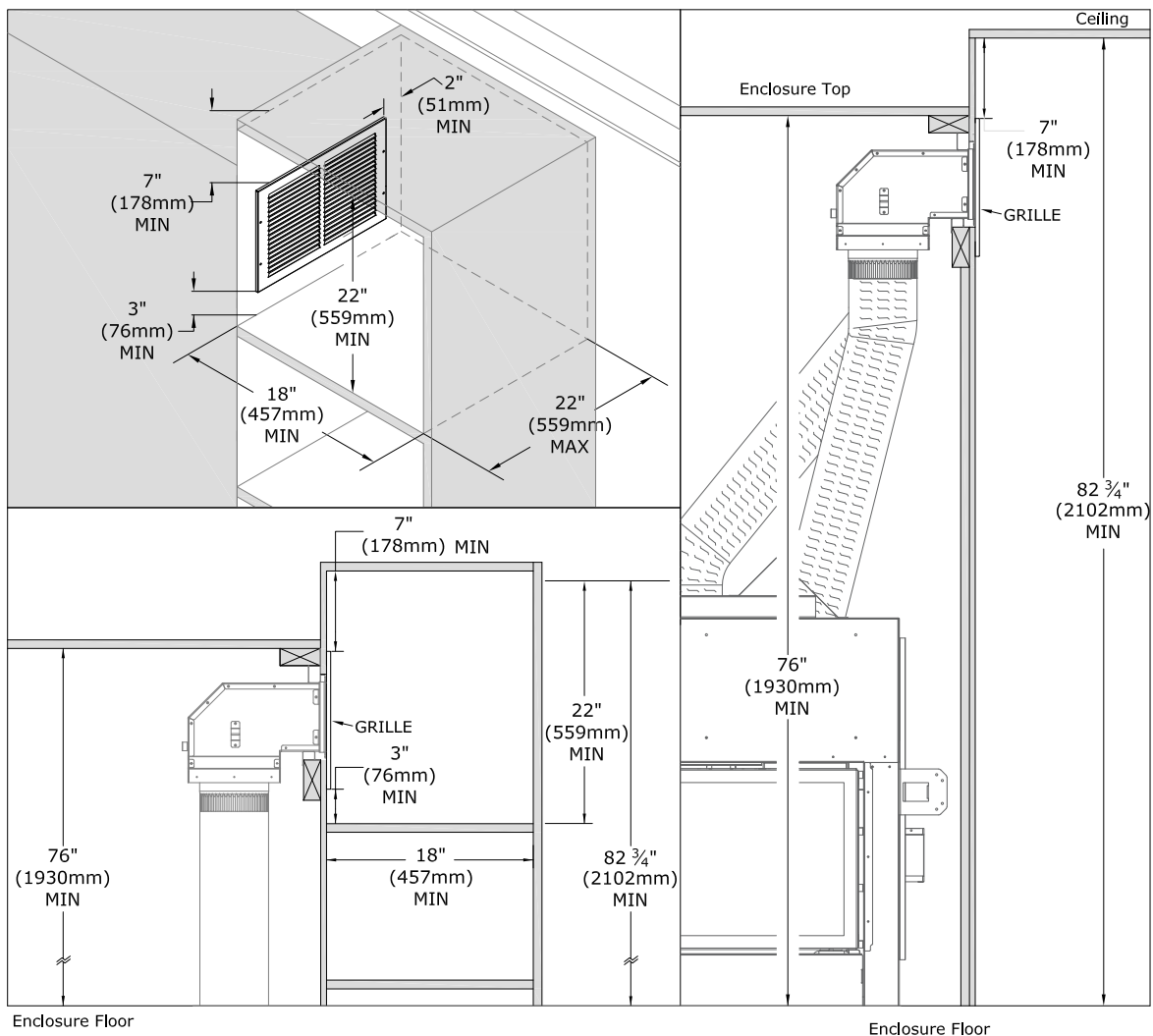
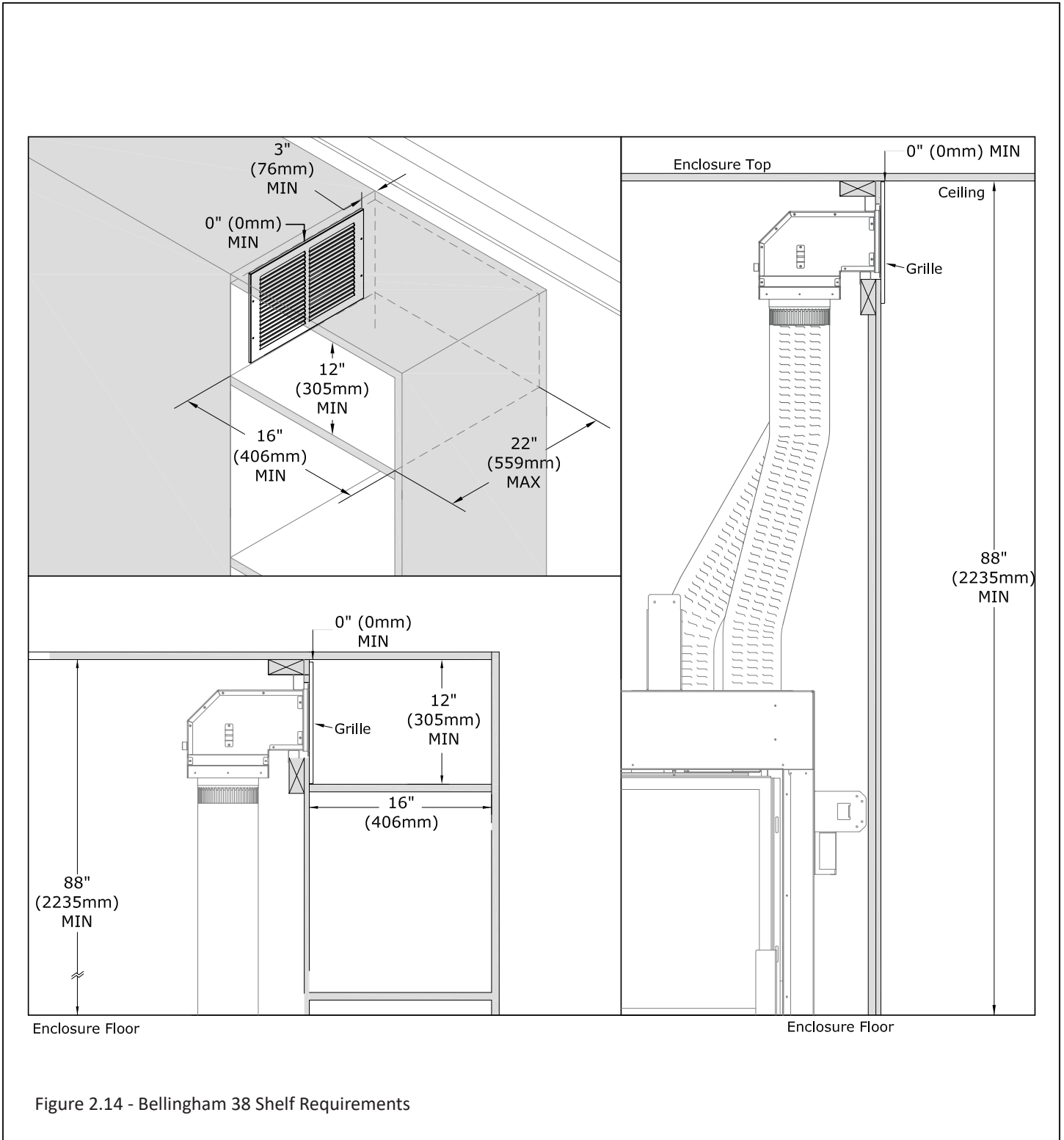


Figure 2.13 - Callaway 50 Shelf Requirements

2.4.2 Bellingham 38 Shelf Requirements



2.4.3 Bellingham 44 Shelf Requirements

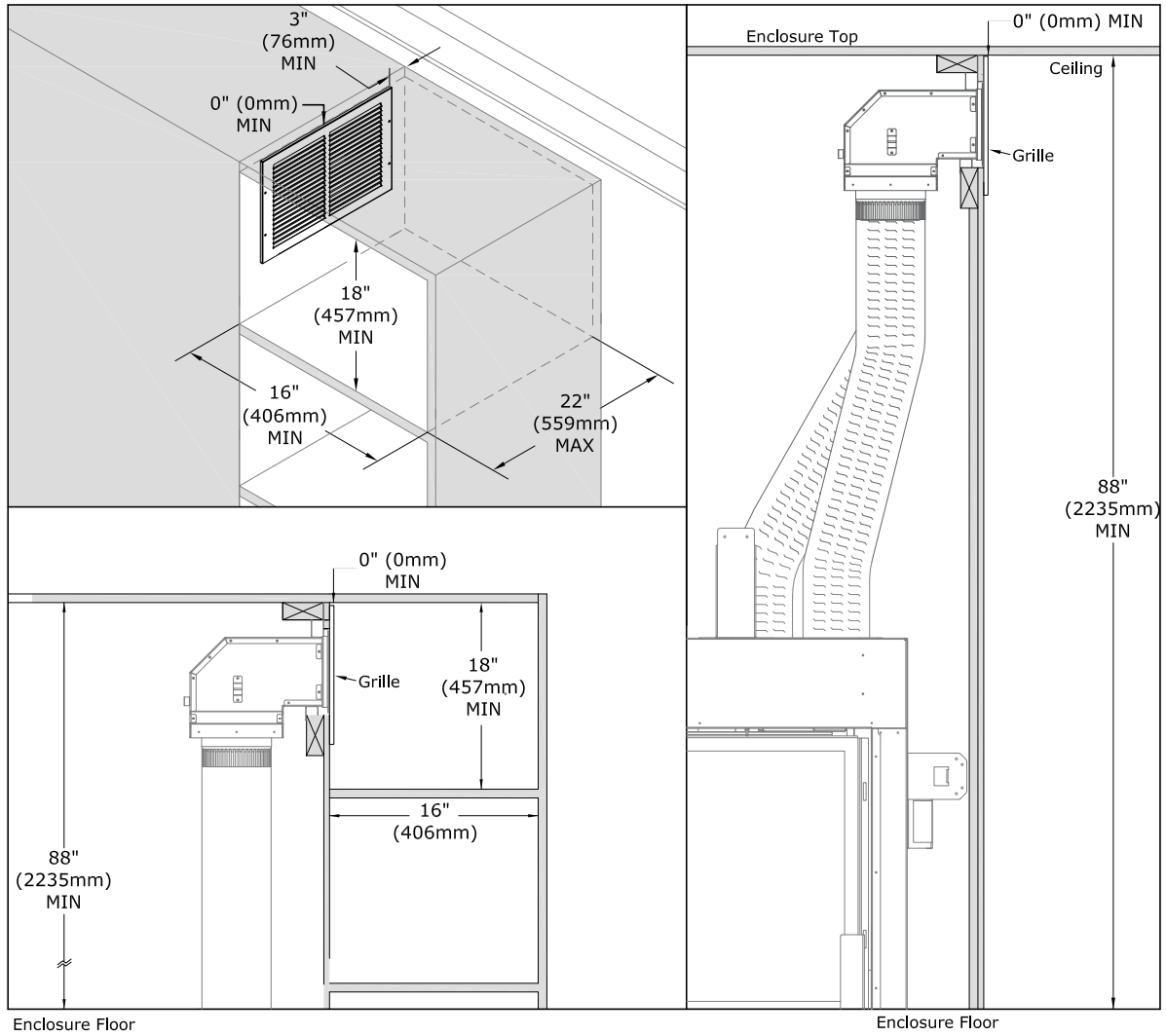


Figure 2.15 - Bellingham 44 Shelf Requirements

2.4.4 Nordik 36 DV & Nordik 41 DV Shelf Requirements

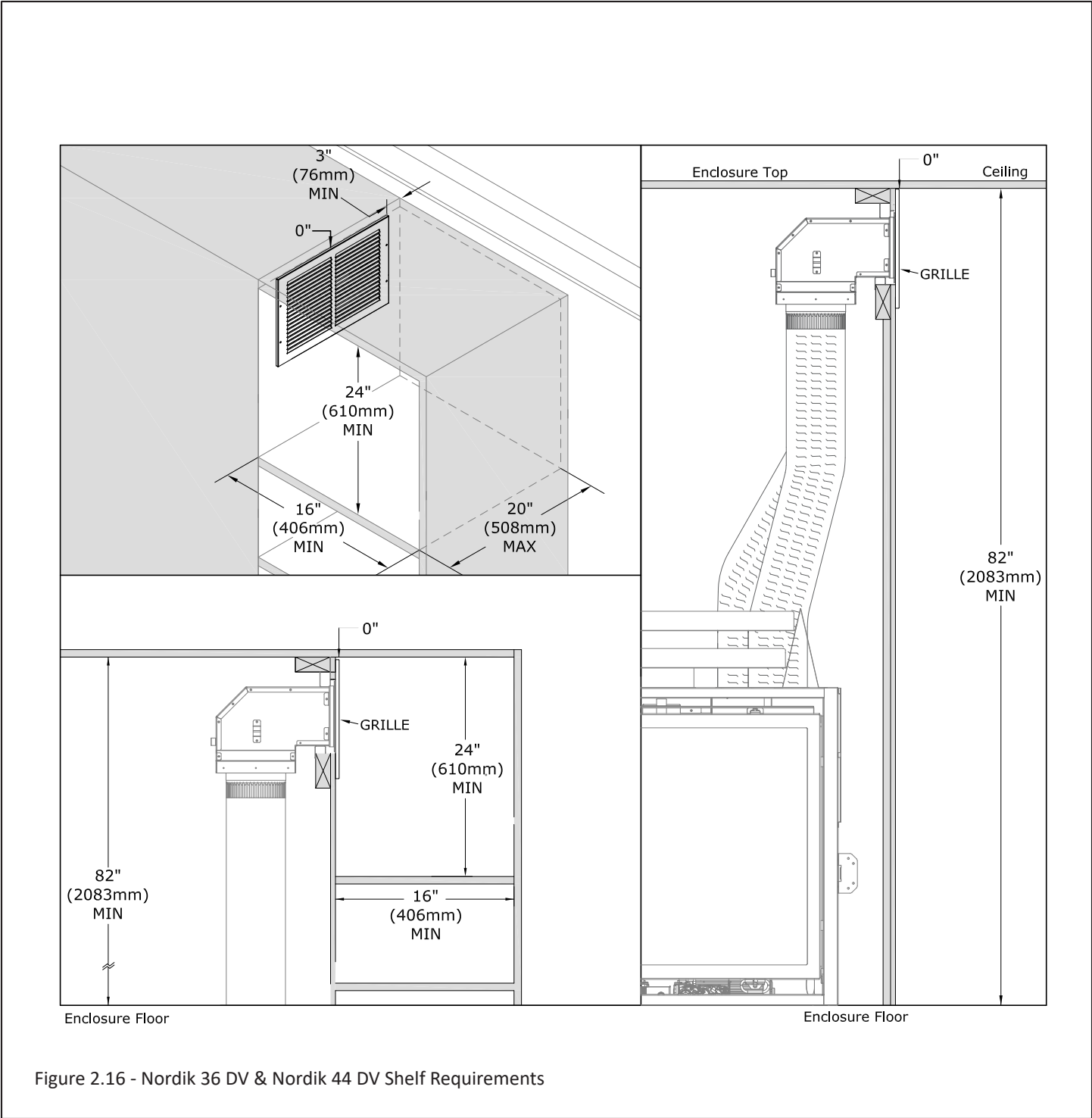


Figure 2.16 - Nordik 36 DV & Nordik 44 DV Shelf Requirements

2.5 Callaway ST Plenums Front Clearance

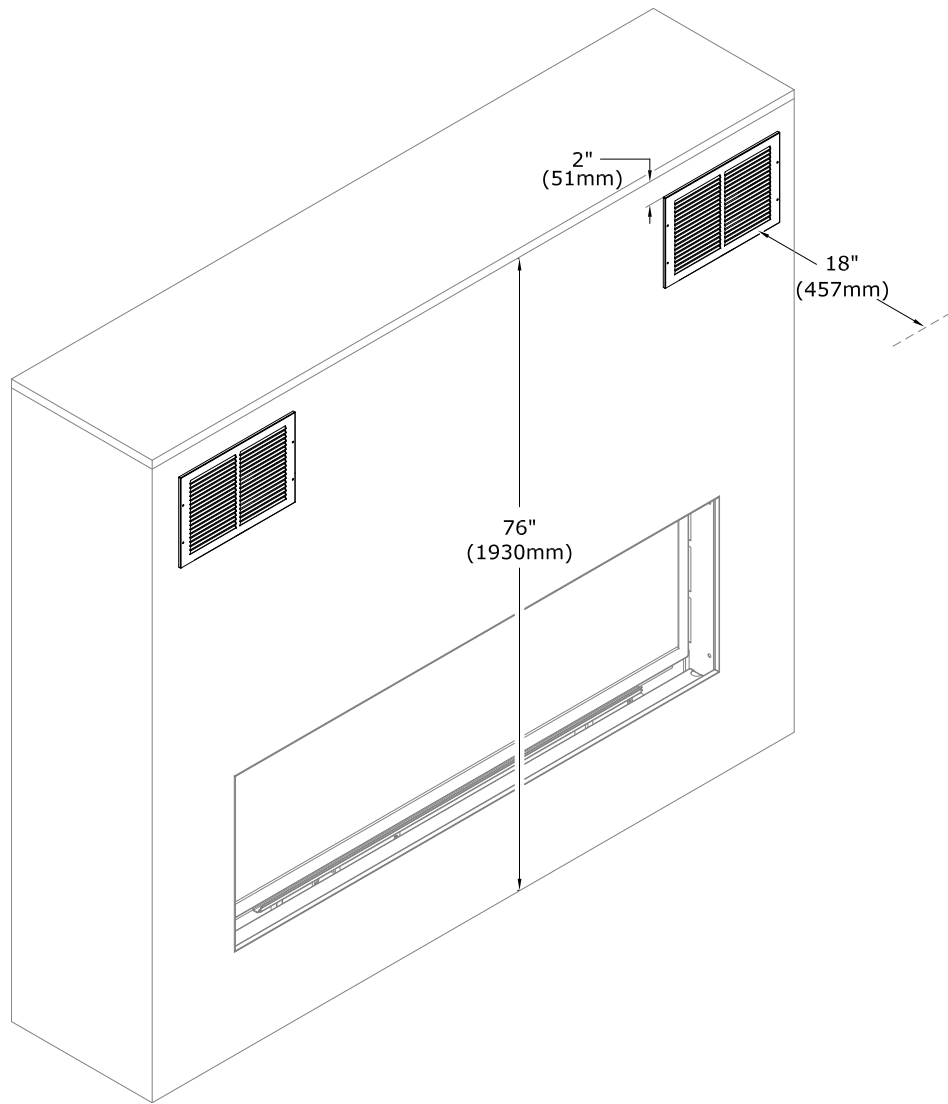


Figure 2.17 - Callaway ST Plenums Front Clearance

3.0 Facing and Finishing

Note: It is acceptable to pre-drill and to use self-tapping screws prior to attaching the facing material. Screws can only penetrate the fireplace outer shell up to 1/2" (13mm) in the allowed areas. Notice that some drawings show no-screw zones where no screw can penetrate the fireplace.

3.1 Fireplace Specific Information

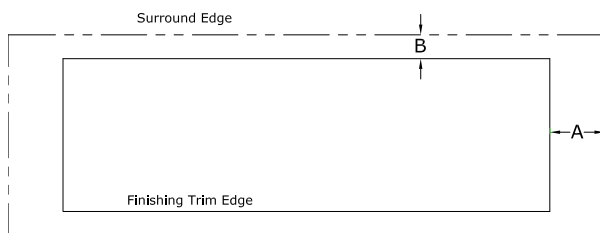
3.1.1 Callaway 50, Callaway 50 MV, and Callaway See Thru

The Callaway 50, Callaway 50 MV, and Callaway See Thru are equipped only with a safety screen that fits inside the fireplace finishing edges. finishing material, mantel projections, or hearth projections may butt up against the fireplace finishing edges.

- If you are purchasing any of the optional surrounds, facing and finishing material up to 1-3/4" (44mm) in total thickness can continue to be finished up to the fireplace finishing edge and the optional surround can be installed over the top of the finishing material. These optional surrounds have a slotted bracket to secure the surround to the fireplace that allow this installation over up to 1-3/4" (44mm) thick facing and finishing material.
- If you have a combined thickness of facing and finishing material over 1-3/4" (44mm) and you want to use an optional surround you will have to butt the finishing material up to the edge of the surround. Reference Figure 3.1 to know the measurement of where to stop the finishing material away from the fireplace finishing edge to allow installation of the surround.
- The optional surround must be able to be removed for service work. Ensure the finishing material does not inhibit this.
- The optional surrounds for the Callaway Series can provide both a decorative aspect and provide benefit to cover the edge of finishing material.

Finishing Guidelines for Optional Surrounds - Callaway Series

- Figure 3.1 shows where to end finishing materials, when measuring from the finishing edge, to allow installation of any optional surround. Most finishing material will not fit behind the optional surround(s) when it is installed.
- Measurement 'A' shows the space to leave on each side.
- Measurement 'B' shows the space to leave on the top and the bottom.



Surround	A	B
CW50-RS	3/4" (19mm)	3/4" (19mm)
CW50-RS4	2-5/8" (67mm)	2-5/8" (67mm)
CW50-GS	6" (152mm)	2-1/2" (64mm)
CW50-MS	3-1/8" (79mm)	3-1/8" (79mm)

Figure 3.1 - Finishing Guidelines for Callaway 50, Callaway 50 MV, and Callaway See Thru Optional Surrounds

3.1.2 Bellingham 38 and Bellingham 44

The Bellingham 38 and Bellingham 44 are equipped only with a safety screen that fits inside the fireplace finishing edges. finishing material, mantel projections, and hearth projections may butt up against the fireplace finishing edges.

- If you are purchasing the optional rectangle surround (Part #BH38-RS or #BH44-RS), facing and finishing material up to 1-1/4" (32mm) in total thickness can continue to be finished up to the fireplace finishing edge and the optional surround can be installed over the top of the finishing material. These optional surrounds have a slotted bracket to secure the surround to the fireplace that allow this installation over up to 1-1/4" (32mm) thick facing and finishing material.
- If you have a combined thickness of facing and finishing material over 1-1/4" (32mm) we recommend butting the finishing material up against the fireplace finishing edges and not using the optional surround.
- The optional surround must be able to be removed for service work. Ensure the finishing material do not inhibit this.

3.1.3 Nordik 36 DV

The Nordik 36 DV is supplied with a "Finishing Trim Kit". It is highly recommended that this kit is installed and used with the fireplace. The finishing trim kit provides a finishing edge for finishing material, mantel projections, and hearth projections to butt up against while providing the necessary clearance for the safety screen barrier to be removed.

IMPORTANT: The B36-PSF2 and B36-FRSF2 (Figure 3.3) are ONLY approved for use when the Nordik 36 DV is installed with the #KZK-1510A. The other (4) safety screen barriers shown in Figure 3.2 are approved in all installation scenarios.

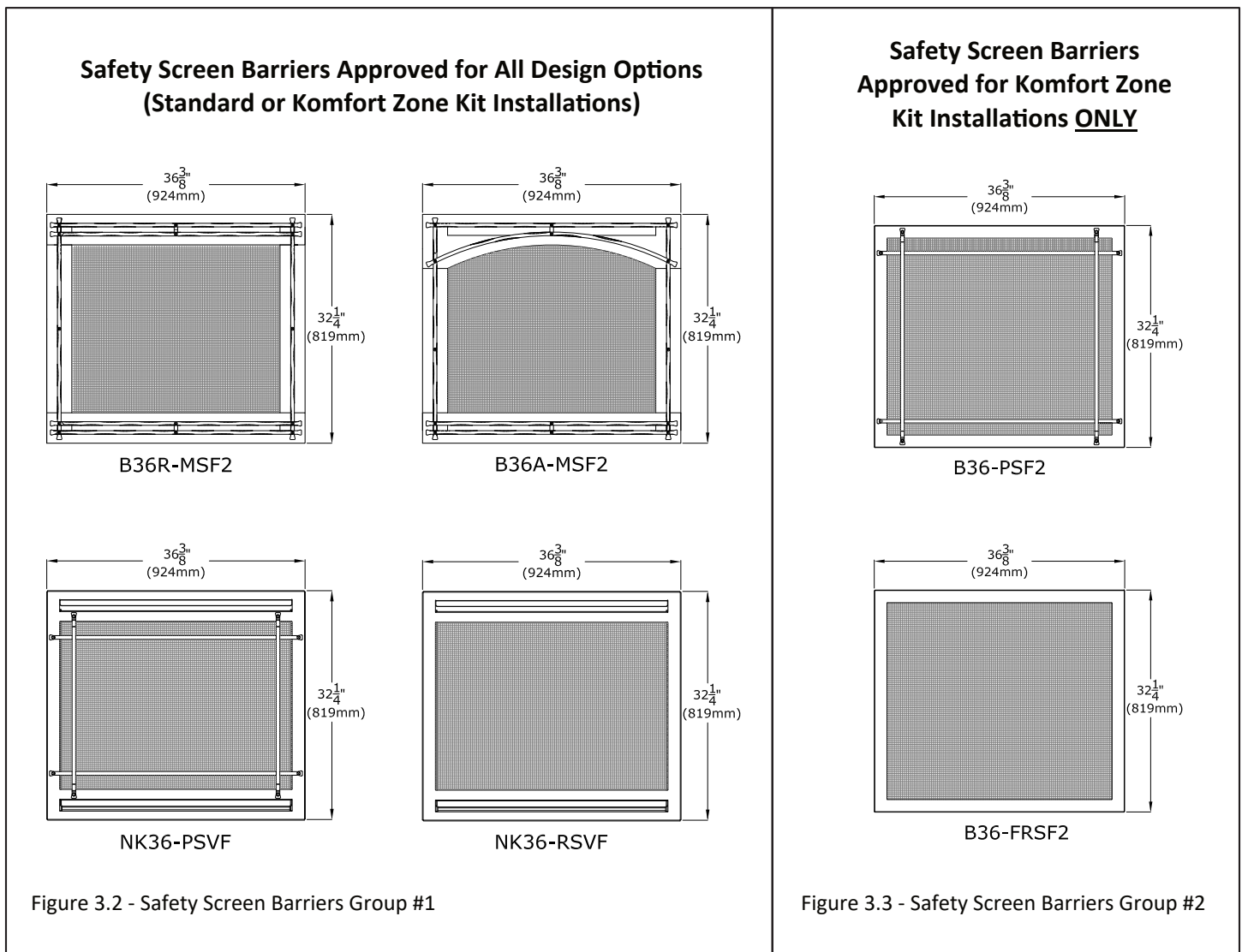


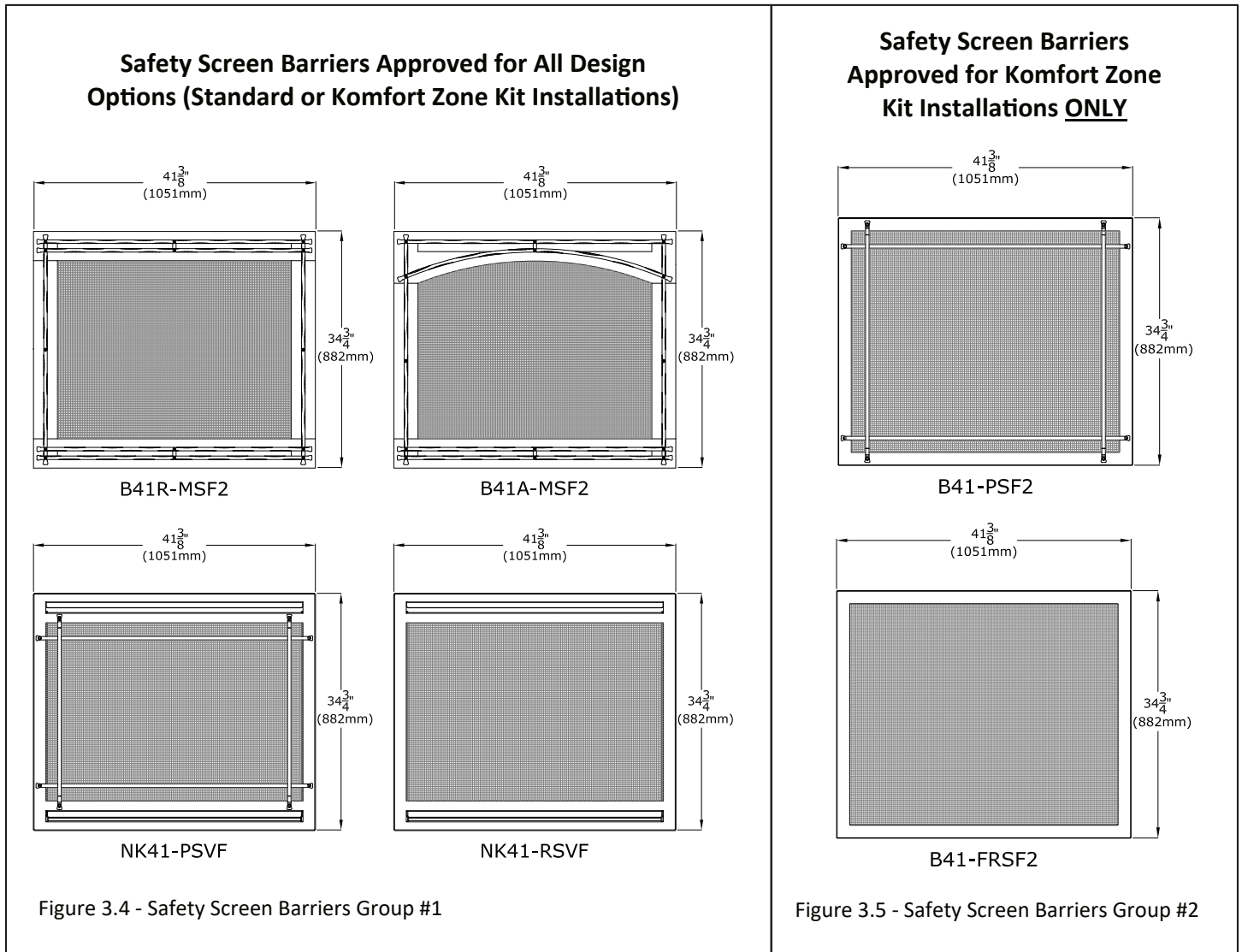
Figure 3.2 - Safety Screen Barriers Group #1

Figure 3.3 - Safety Screen Barriers Group #2

3.1.4 Nordik 41 DV

The Nordik 41 DV is supplied with a "Finishing Trim Kit". It is highly recommended that this kit is installed and used with the fireplace. The finishing trim kit provides a finishing edge for finishing material, mantel projections, and hearth projections to butt up against while providing the necessary clearance for the safety screen barrier to be removed.

IMPORTANT: The B41-PSF2 and B41-FRSF2 (Figure 3.5) are **ONLY** approved for use when the Nordik 41 DV is installed with the #KZK-1510A. The other (4) safety screen barriers shown in Figure 3.4 are approved in all installation scenarios.



3.1.5 Nordik 36 DV & Nordik 41 DV

IMPORTANT: When using the #B36-FRSF2 or #B36-PSF2 with the Nordik 36 DV the rope on the back of the safety screen barrier must be removed before installing the safety screen barrier.

IMPORTANT: When using the #B41-FRSF2 or #B41-PSF2 with the Nordik 41 DV the rope on the back of the safety screen barrier must be removed before installing the safety screen barrier.

You must remove the rope on the back of the safety screen barrier when using the Komfort Zone Kit

Note: The rope on the back of the fireplace safety screen barrier must be removed before the installation.

Align the notched tabs with the slots in the fireplace and push back to the position that accommodates the finishing material.

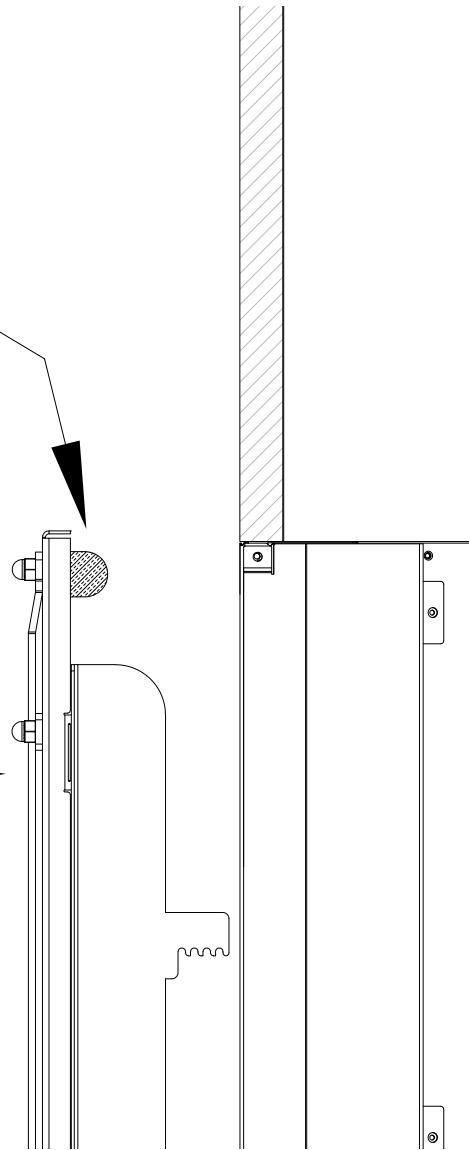


Figure 3.6 - Rope Removal

3.2 Non-Combustible Facing Requirements

3.2.1 Callaway 50 & Callaway 50 MV Non-Combustible Facing Requirements

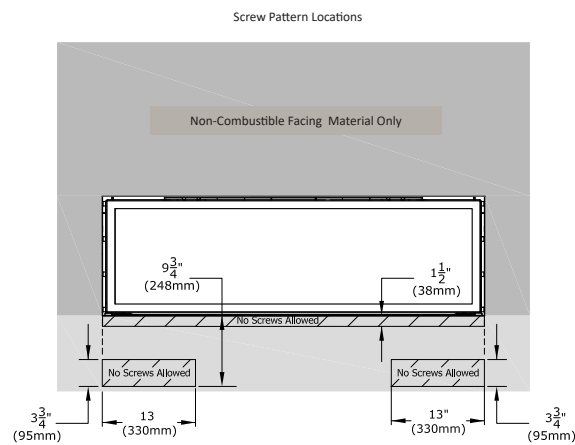
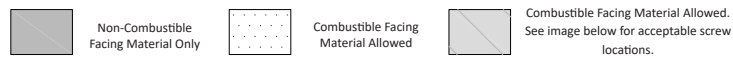
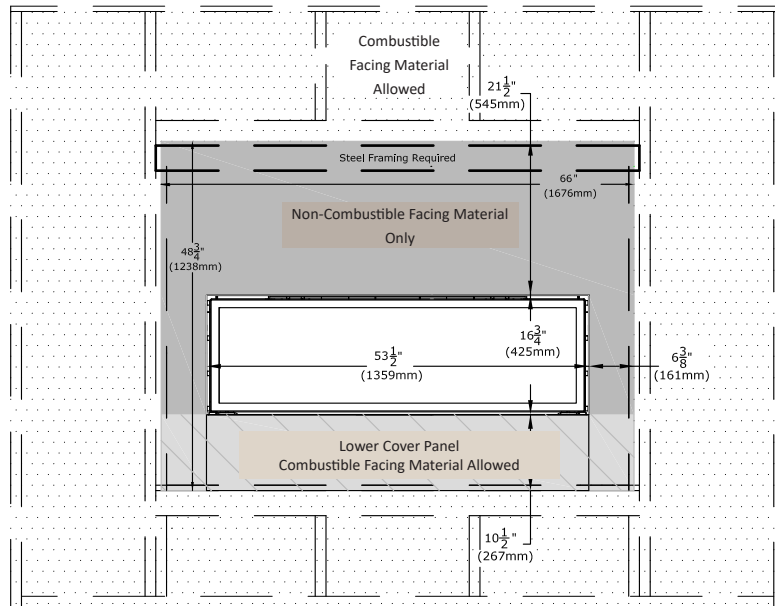


Figure 3.7 - Callaway 50 & Callaway 50 MV Minimum Non-Combustible Facing Material Dimensions

3.2.2 Callaway ST Non-Combustible Facing Requirements

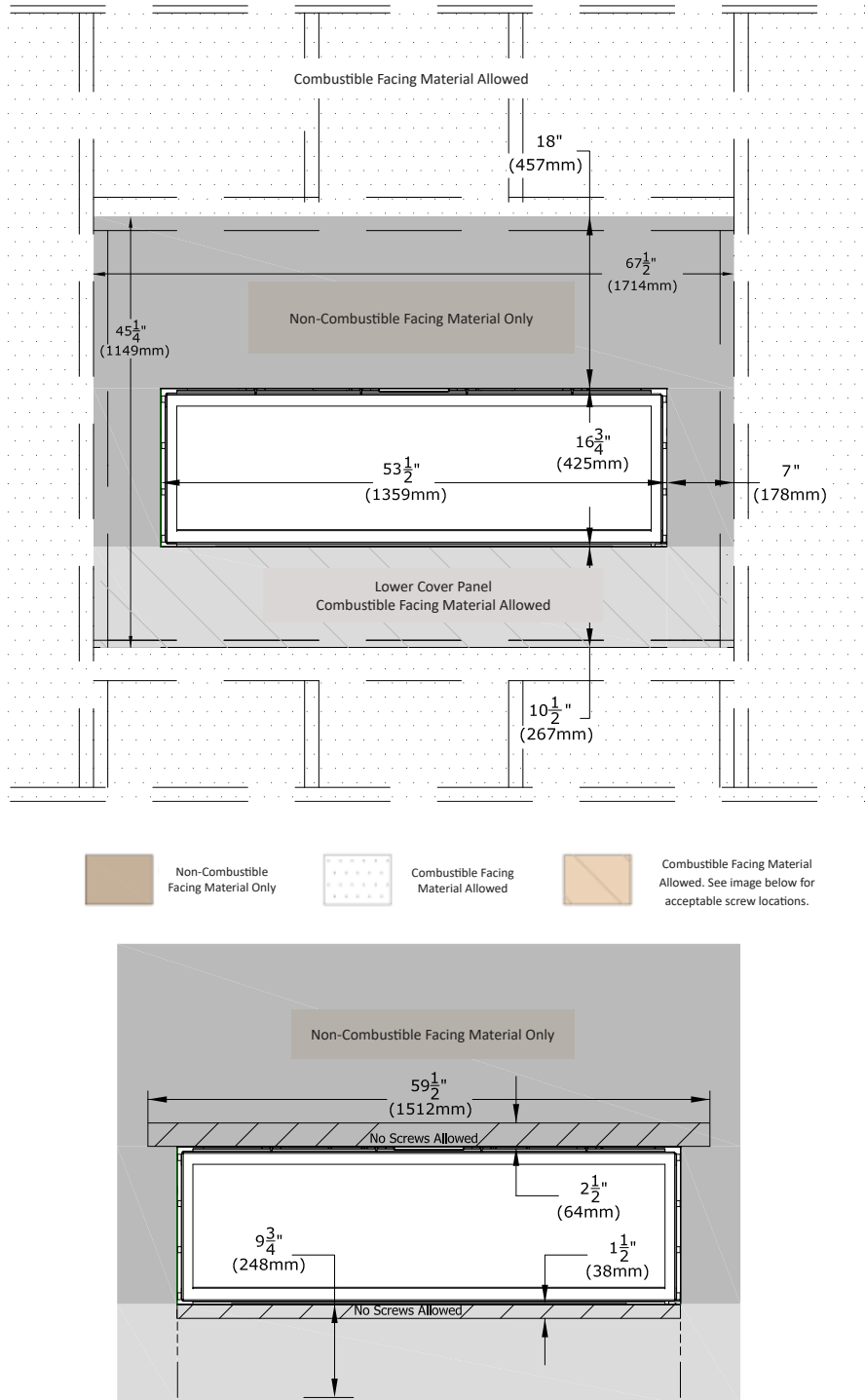
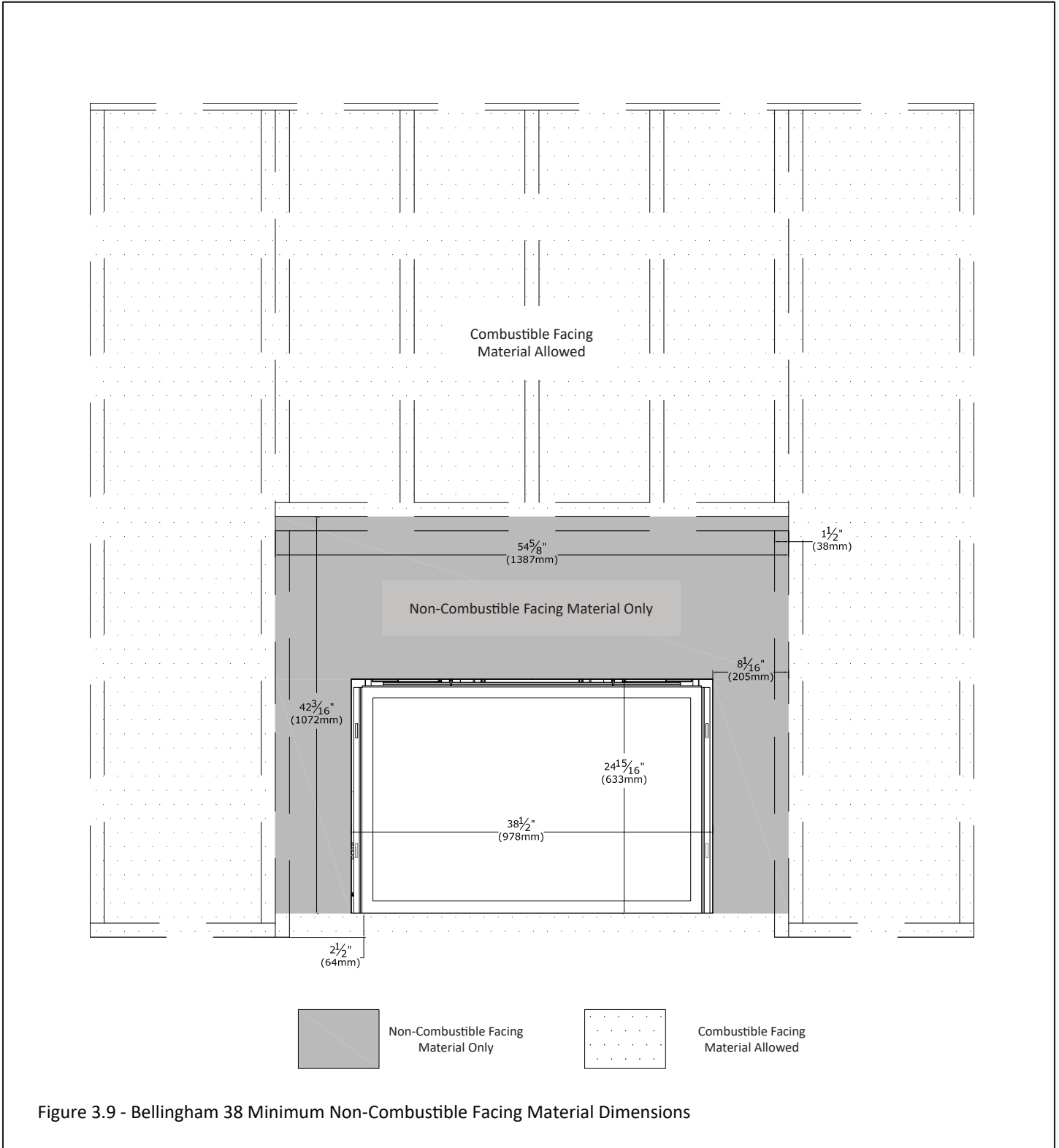


Figure 3.8 - Callaway See Thru Minimum Non-Combustible Facing Material Dimensions

3.2.3 Bellingham 38 Non-Combustible Facing Requirements



3.2.4 Bellingham 44 Non-Combustible Facing Requirements

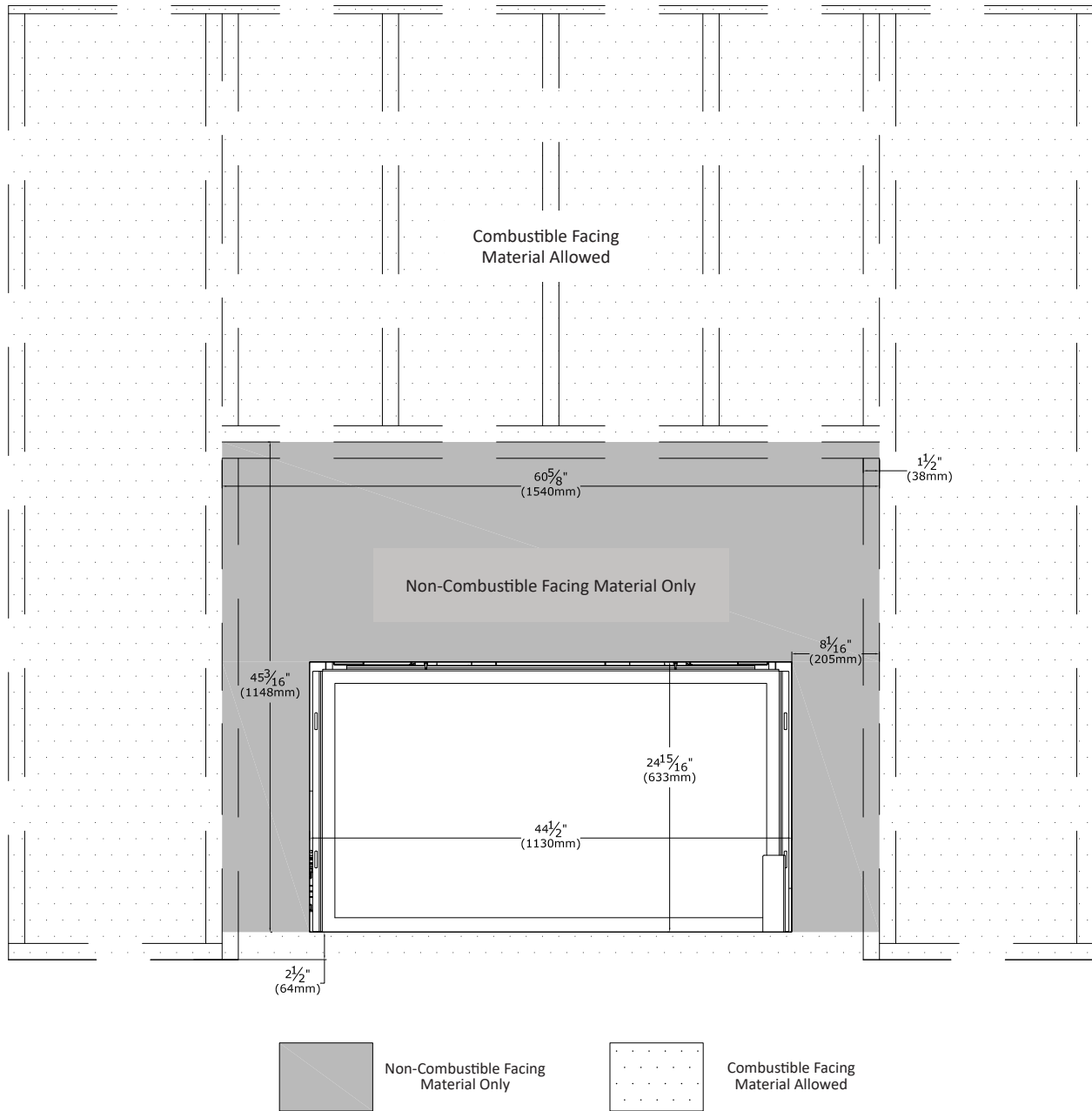


Figure 3.10 - Bellingham 44 Minimum Non-Combustible Facing Material Dimensions

3.2.5 Nordik 36 DV Non-Combustible Facing Requirements

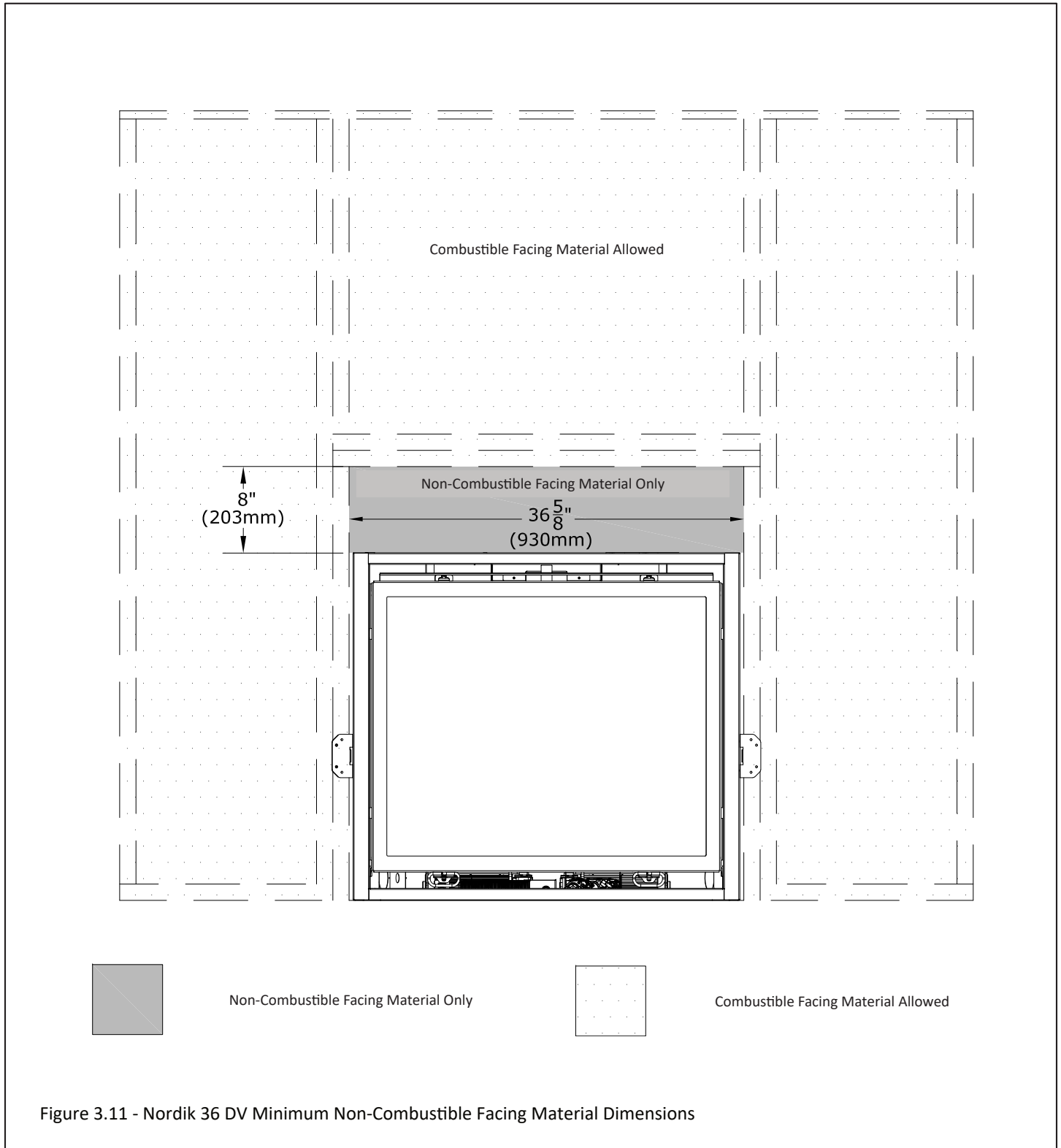


Figure 3.11 - Nordik 36 DV Minimum Non-Combustible Facing Material Dimensions

3.2.6 Nordik 41 DV Non-Combustible Facing Requirements

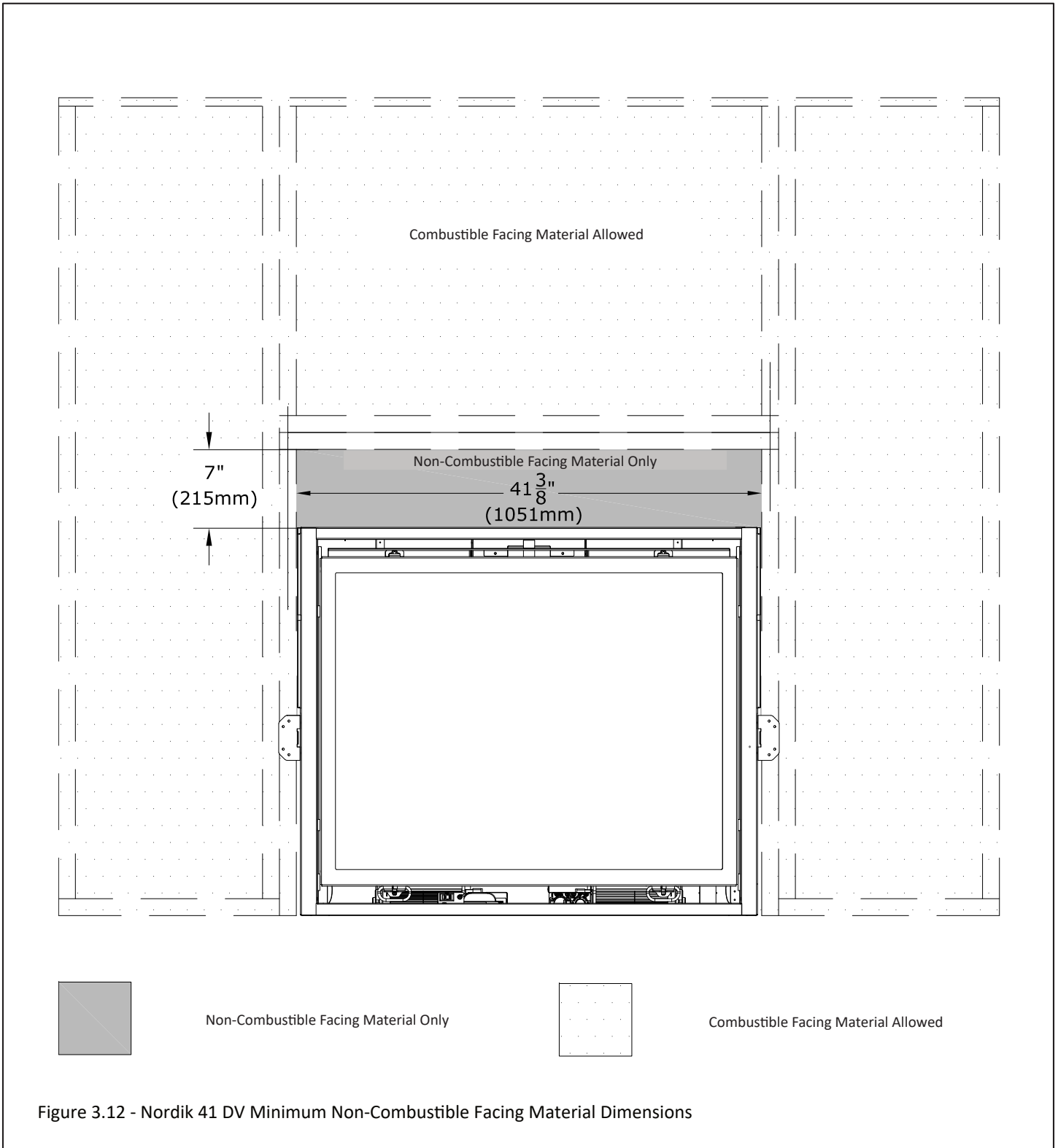


Figure 3.12 - Nordik 41 DV Minimum Non-Combustible Facing Material Dimensions

3.3 Finishing Requirements

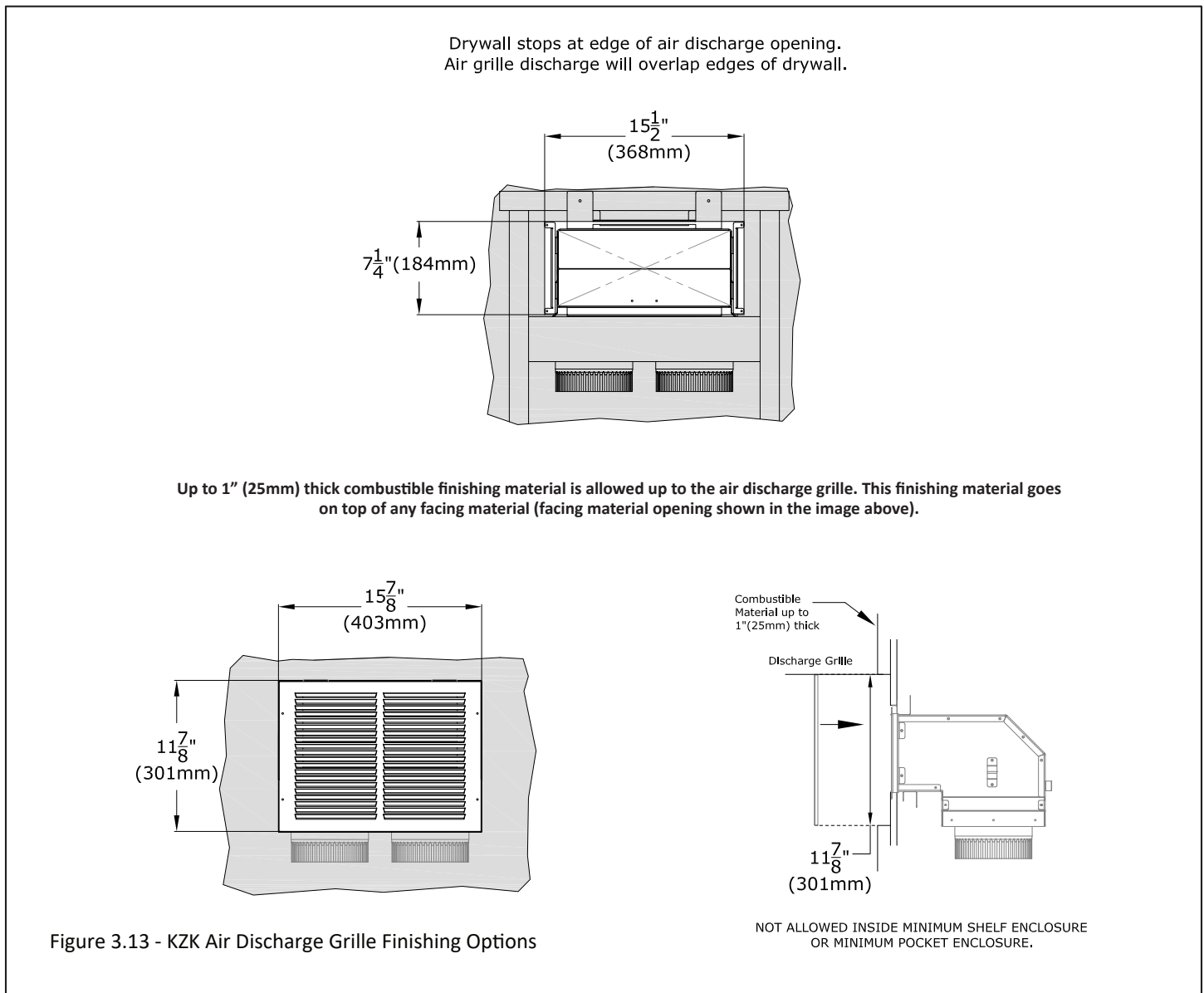
3.3.1 Finishing Options - Plenums Air Discharge

WARNING! RISK OF OVERHEATING AND FIRE! Ensure the KZK duct system is installed in accordance to this manual and the requirements in the fireplace manual.

NOTE: If you desire to run finishing material up to edge of the discharge opening, see drawing below. Finishing material must not block the air discharge grille and must run evenly along the plenum opening.

IMPORTANT: Additional 1" (25mm) combustible trim on top of existing materials is NOT allowed inside the side shelf enclosures for the Callaway 50, Callaway 50 MV, Bellingham 38, Bellingham 44, Nordik 36 DV, and Nordik 41 DV. The 1" (25mm) combustible trim is allowed around the plenum grille when not installed in a side shelf application.

1" (25mm) combustible material goes on top of any required non-combustible material required on the fireplace as shown previously in this section or on top of the drywall that stops at the edge of the air discharge opening. See the top image in Figure 3.12 for where the drywall stops at the air discharge opening. Note: The plenum grille will cover the edge of this drywall.



3.3.2 Combustible Wall Finish

3.3.2.1 Callaway 50 & Callaway 50 MV Combustible Wall Finish

Figure 3.14 shows installation of combustible wall finish up to 1" (25mm) thick for the Callaway 50 & Callaway 50 MV. This combustible material goes over any required non-combustible materials as shown in Figure 3.7.

This 1" (25mm) combustible material is able to go down to the fireplace finishing edge.

See Figure 3.13 for up to 1" (25mm) thick combustible material installation around the KZK air discharge grilles.

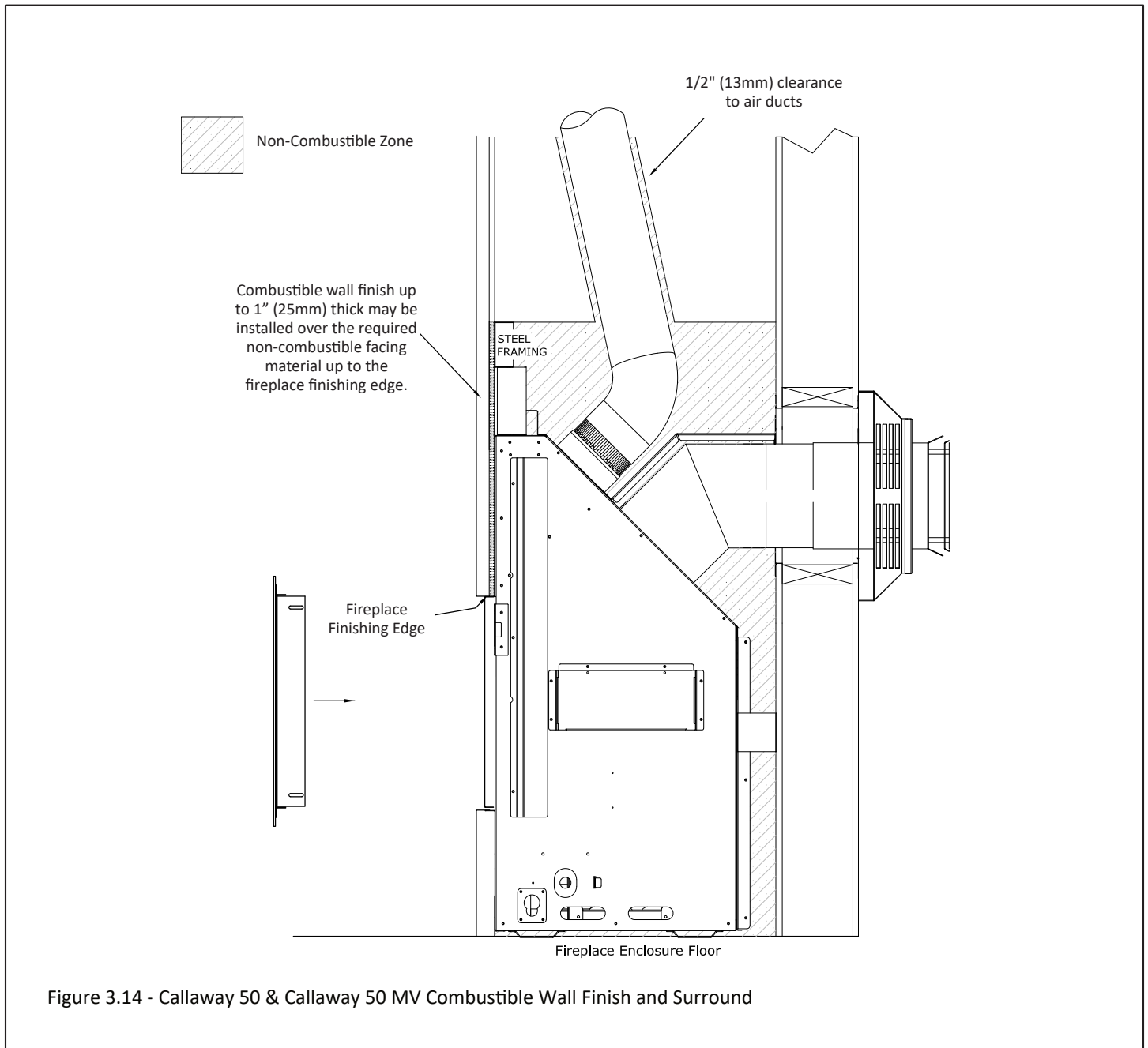


Figure 3.14 - Callaway 50 & Callaway 50 MV Combustible Wall Finish and Surround

3.3.2.2 Callaway ST Combustible Wall Finish

Figure 3.15 shows installation of combustible wall finish up to 1" (25mm) thick for the Callaway See Thru. This combustible material goes over any required non-combustible materials as shown in Figure 3.8.

This 1" (25mm) combustible material is able to go down to the fireplace finishing edge.

See Figure 3.13 for up to 1" (25mm) thick combustible material installation around the KZK air discharge grilles.

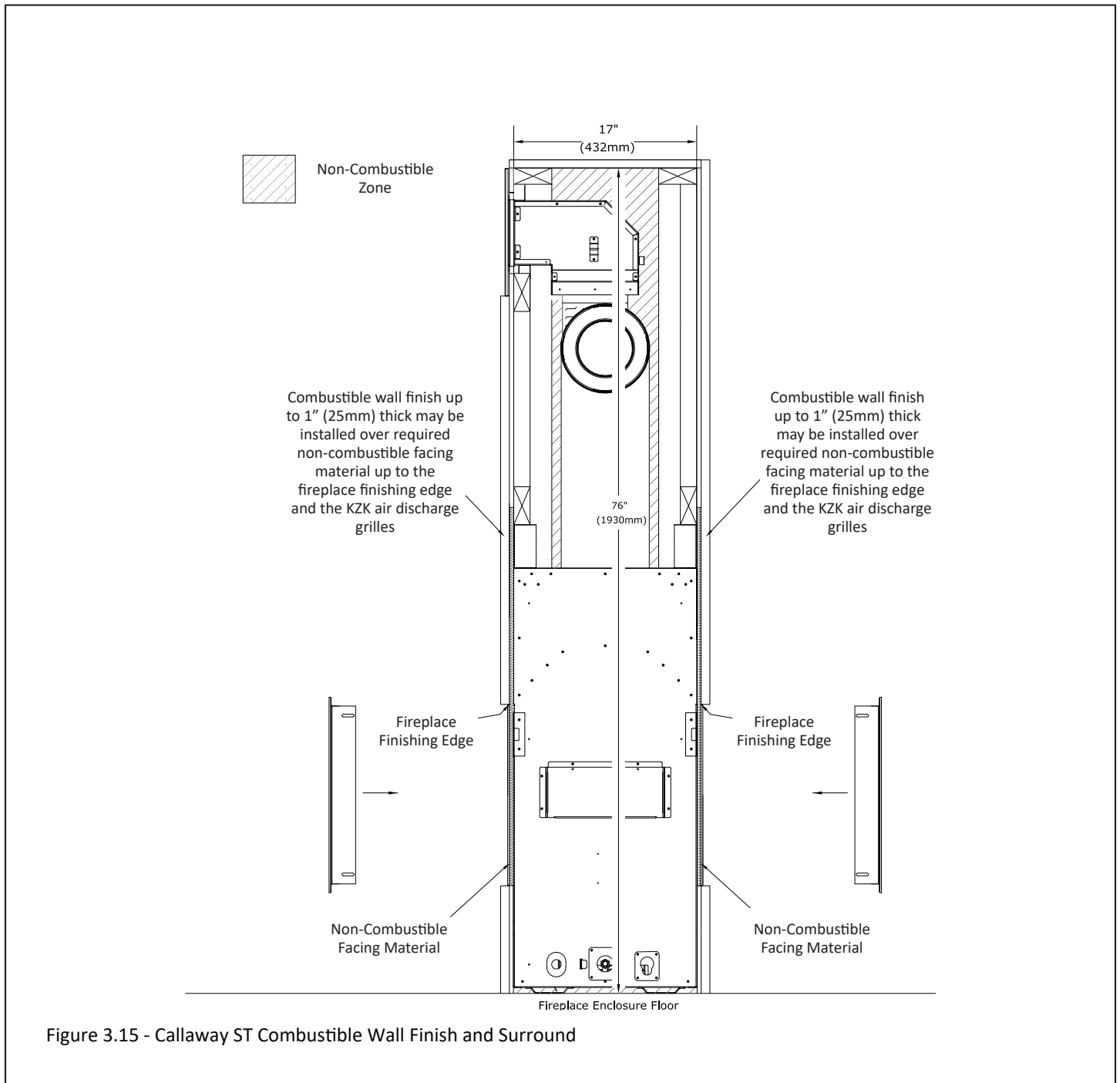


Figure 3.15 - Callaway ST Combustible Wall Finish and Surround

3.3.2.3 Bellingham 38 & Bellingham 44 Combustible Wall Finish

Figure 3.16 shows installation of combustible wall finish up to 1" thick for the Bellingham 38 & Bellingham 44. This combustible material goes over any required non-combustible materials as shown in Figure 3.8 for Bellingham 38 or Figure 3.10 for Bellingham 44.

This 1" (25mm) combustible material is able to go down to the fireplace finishing edge.

See Figure 3.13 for up to 1" (25mm) thick combustible material installation around the KZK air discharge grille.

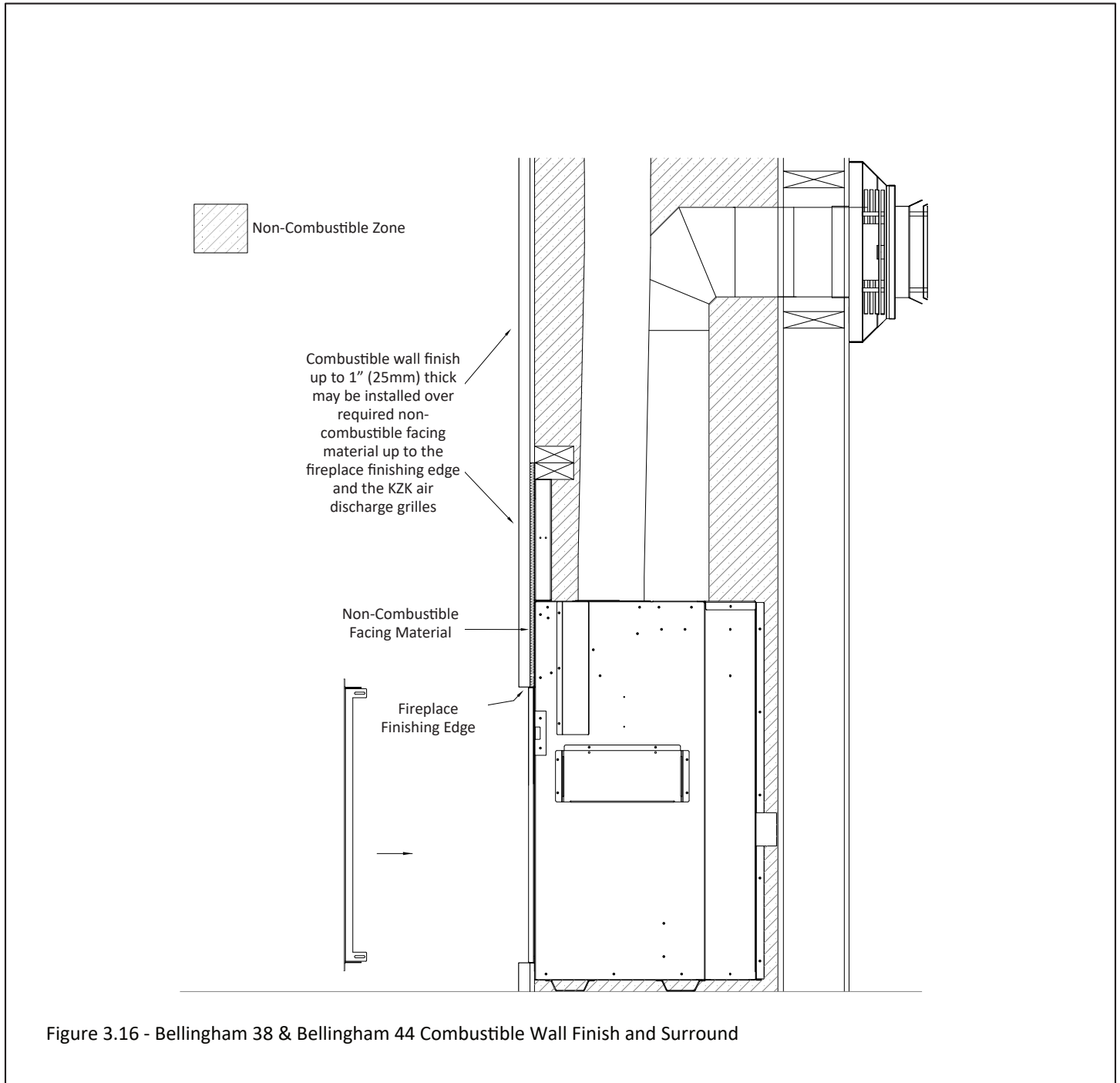


Figure 3.16 - Bellingham 38 & Bellingham 44 Combustible Wall Finish and Surround

3.3.2.4 Nordik 36 DV Combustible Wall Finish

Figure 3.17 shows installation of combustible wall finish up to 1" thick for the Nordik 36 DV. This combustible material goes over any required non-combustible materials as shown in Figure 3.11.

This 1" (25mm) combustible material is able to go down to the fireplace finishing edge. We recommend to use the finishing trim kit that is shipped with the Nordik 36 DV. This provides an edge to stop finishing material that ensures the safety barrier can be removed for fireplace servicing.

See Figure 3.13 for up to 1" (25mm) thick combustible material installation around the KZK air discharge grille.

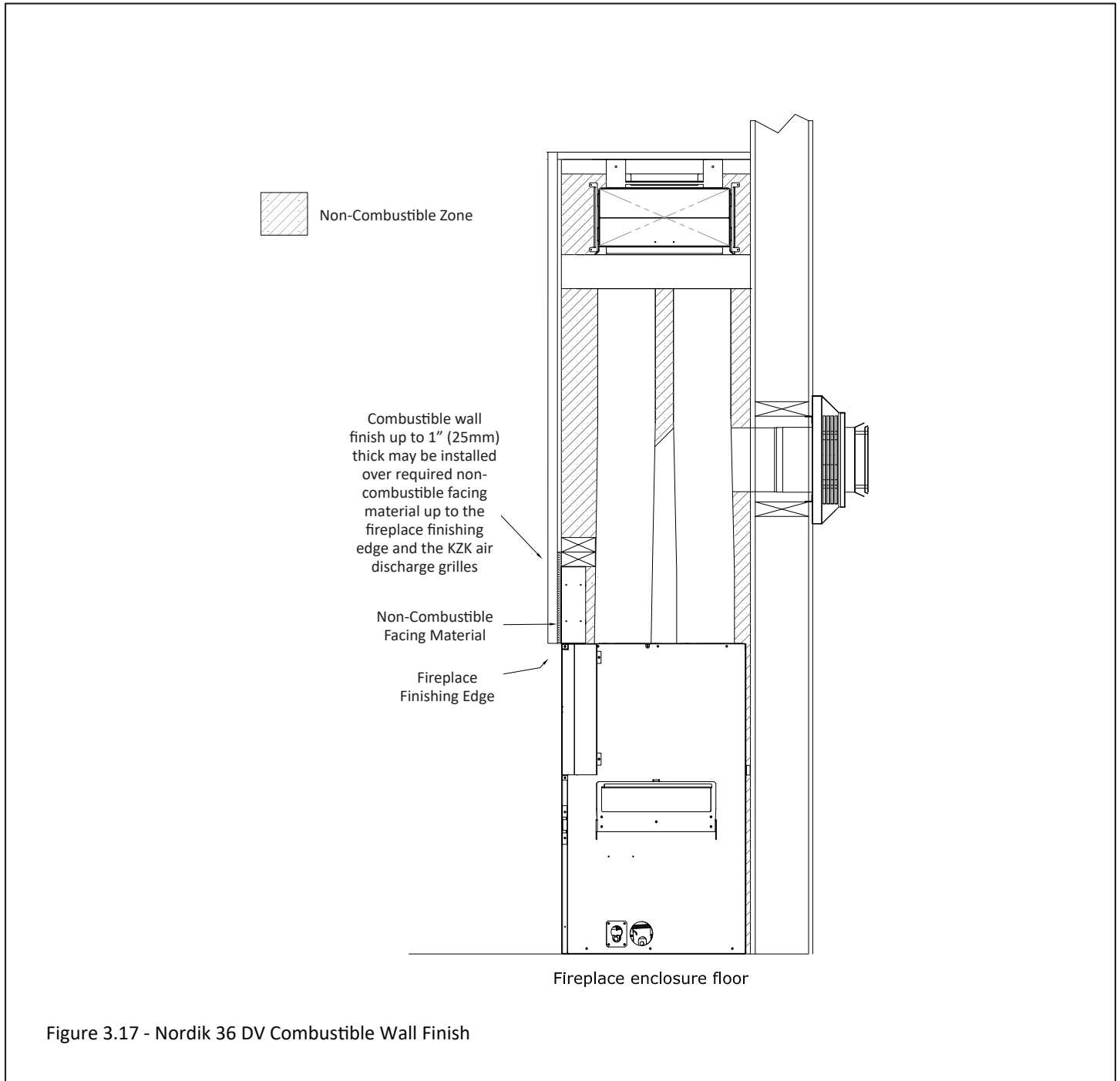


Figure 3.17 - Nordik 36 DV Combustible Wall Finish

3.3.2.5 Nordik 41 DV Combustible Wall Finish

Figure 3.18 shows installation of combustible wall finish up to 1" thick for the Nordik 41 DV. This combustible material goes over any required non-combustible materials as shown in Figure 3.12.

This 1" (25mm) combustible material is able to go down to the fireplace finishing edge. We recommend to use the finishing trim kit that is shipped with the Nordik 41 DV. This provides an edge to stop finishing material that ensures the safety barrier can be removed for fireplace servicing.

See Figure 3.13 for up to 1" (25mm) thick combustible material installation around the KZK air discharge grille.

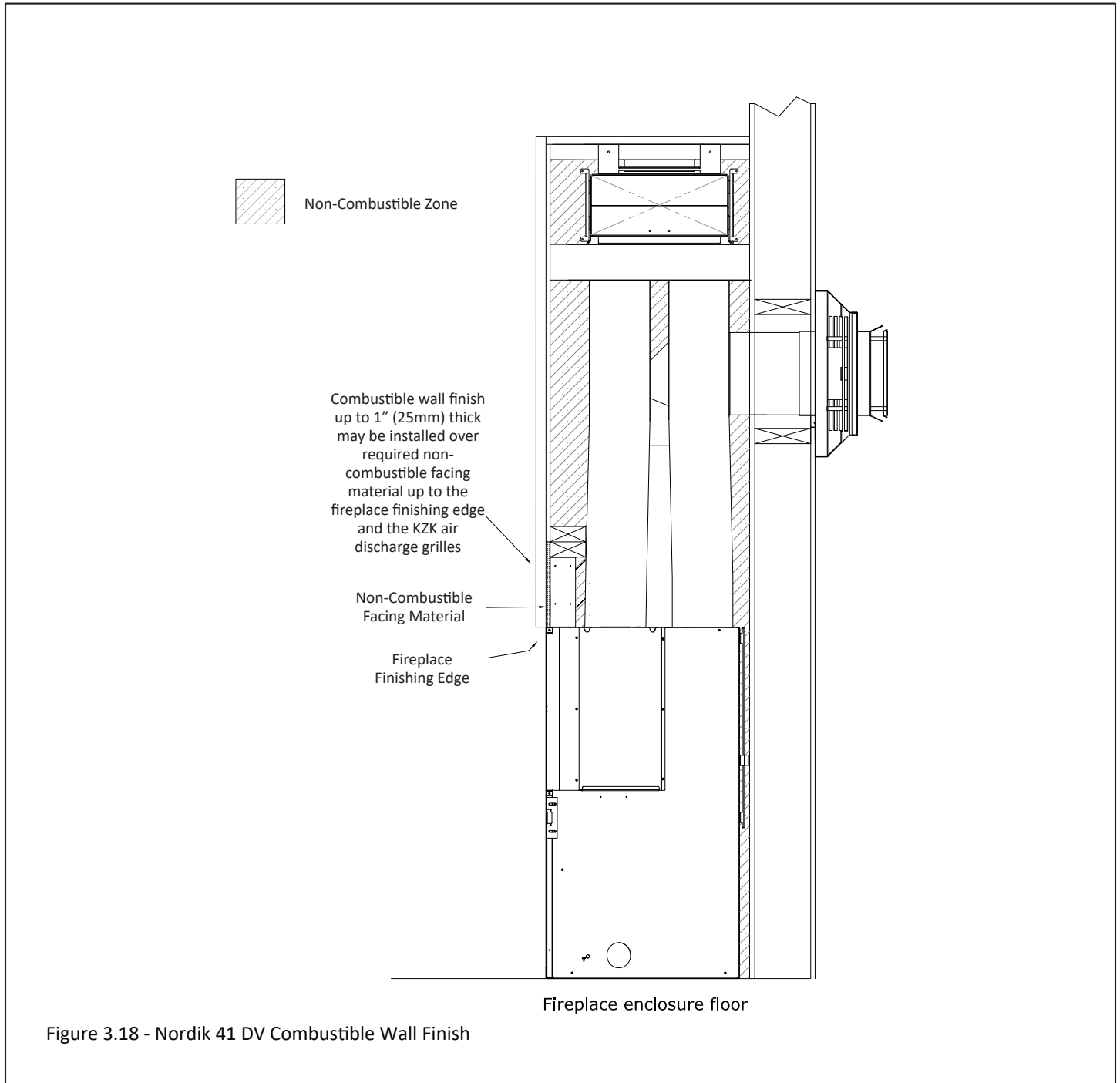


Figure 3.18 - Nordik 41 DV Combustible Wall Finish

3.3.3 Non-Combustible Zone

- Figure 3.7 and 3.8 (Callaway Series), Figure 3.9 and 3.10 (Bellingham Series), and Figure 3.11 and 3.12 (Nordik Series) show the Non-Combustible Finishing Zones for the minimum requirement of non-combustible facing material.
- Paper faced gypsum board, commonly known as drywall; including Type X Fire Rated board is not a non-combustible material. This material is not approved for use as a non-combustible material around the fireplace.
- WonderBoard brand boards are commonly used as a backerboard for tile. WonderBoard backerboard is not a non-combustible material and is not approved for use in the non-combustible material is required around the fireplace.
- Non-combustible facing materials must meet ASTM E 136.

3.3.4 Finishing Recommendations

NOTE: The surface area above the appliance may be affected by high temperatures emitted from this appliance. To help avoid or reduce the possibility of the sheetrock to crack, Hussong Mfg. recommends the following methods:

- Ensure the non-combustible material and sheetrock is dry and dust free.
- For taping and mudding seams, we recommend heat resilient tape, mesh and joint compounds, such as Durabond. Mud must be cured as per manufacturers recommendations.
- For a painted surface, use a high quality acrylic latex primer and finish coat. Avoid flat or light-colored paints to prevent discoloring.

Disclaimer: Kozy Heat does not guarantee any materials used around the fireplace. Kozy Heat disclaims any and all liability for any damage to finishing materials including warping, discoloring, cracking, peeling or flaking. This also includes any off-gassing or unpleasant smells from materials when they are heated.

3.4 Hearth and Mantel Clearances

- Do not run any hearth or mantel projection past the fireplace finishing edge which would impede the airflow around the screen barrier.
- If you are using an optional surround ensure the mantel and/or hearth projections leave the appropriate clearance for installation of the surround. See Figure 3.1.

3.4.1 Callaway 50 & Callaway 50 MV Hearth, Mantel, and Sidewall Clearances

Combustible Hearth and Mantel Requirements

- Combustible Mantel Projections (no surround): As referenced in Figure 3.19, the 6" (152mm) combustible mantel can start 0" (0mm) with the top finishing edge. Mantel projections can increase 1" (25mm) of depth for every 1" (25mm) of height starting at the 6" (152mm) mantel. Refer to Figure 3.1 if you are using an optional surround.
- Combustible Hearth Projections (no surround): A 6" (152mm) combustible hearth can be installed at 0" (0mm) to the fireplace bottom finishing edge if you are not using an option surround. Hearth projections can increase 1" (25mm) of projection for every 1" (25mm) away from the bottom fireplace finishing edge. Refer to Figure 3.1 if you are using an optional surround.
- Mantel Leg: Follow "Combustible Sidewall Clearance" below. See Figure 3.20.

Adjacent Sidewall Requirements

- Combustible Sidewall Clearance: The adjacent sidewall projection is unlimited and can start at 0" (0mm) from the side finishing edge of the fireplace if you are not using an optional surround. See Figure 3.20.

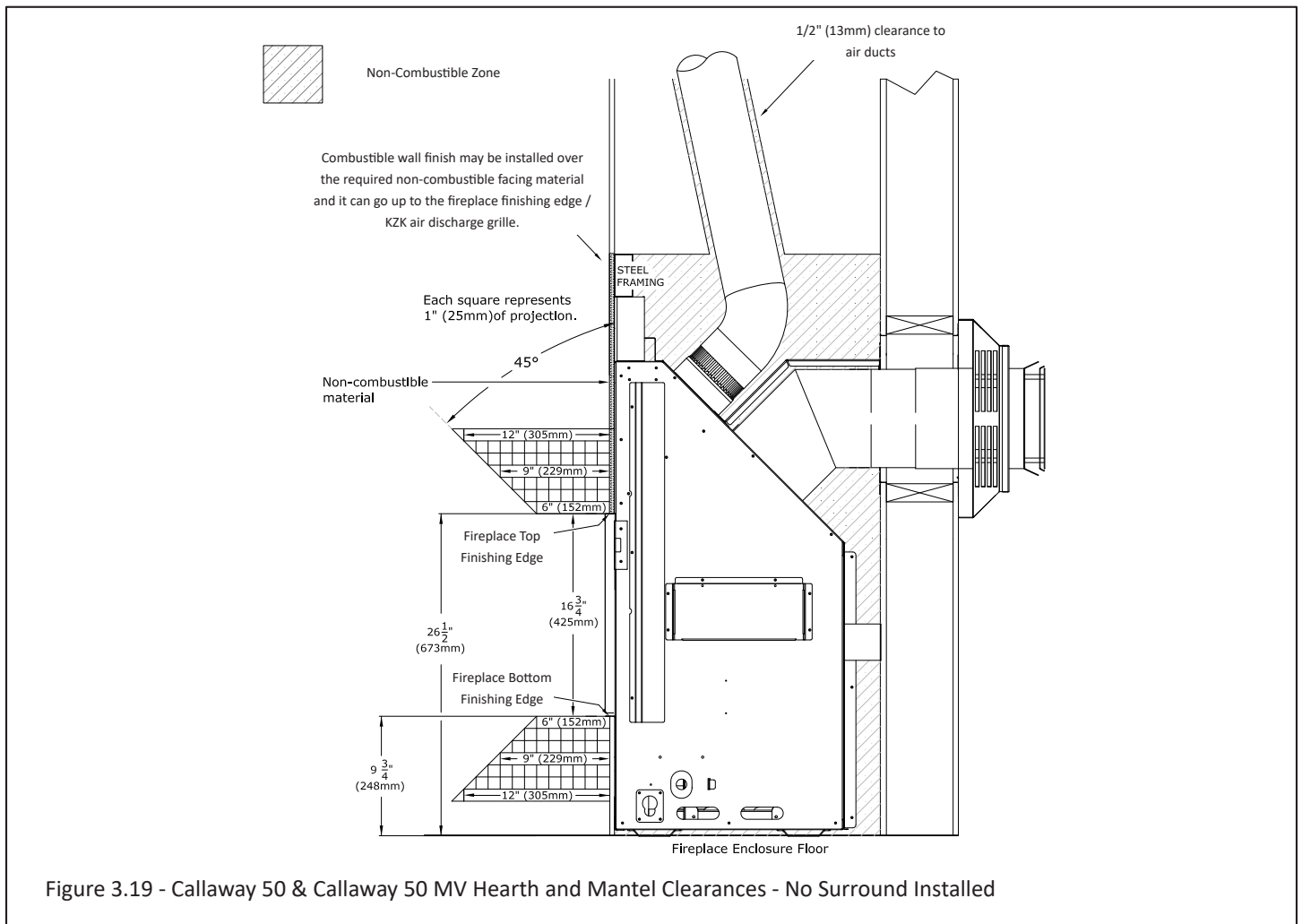
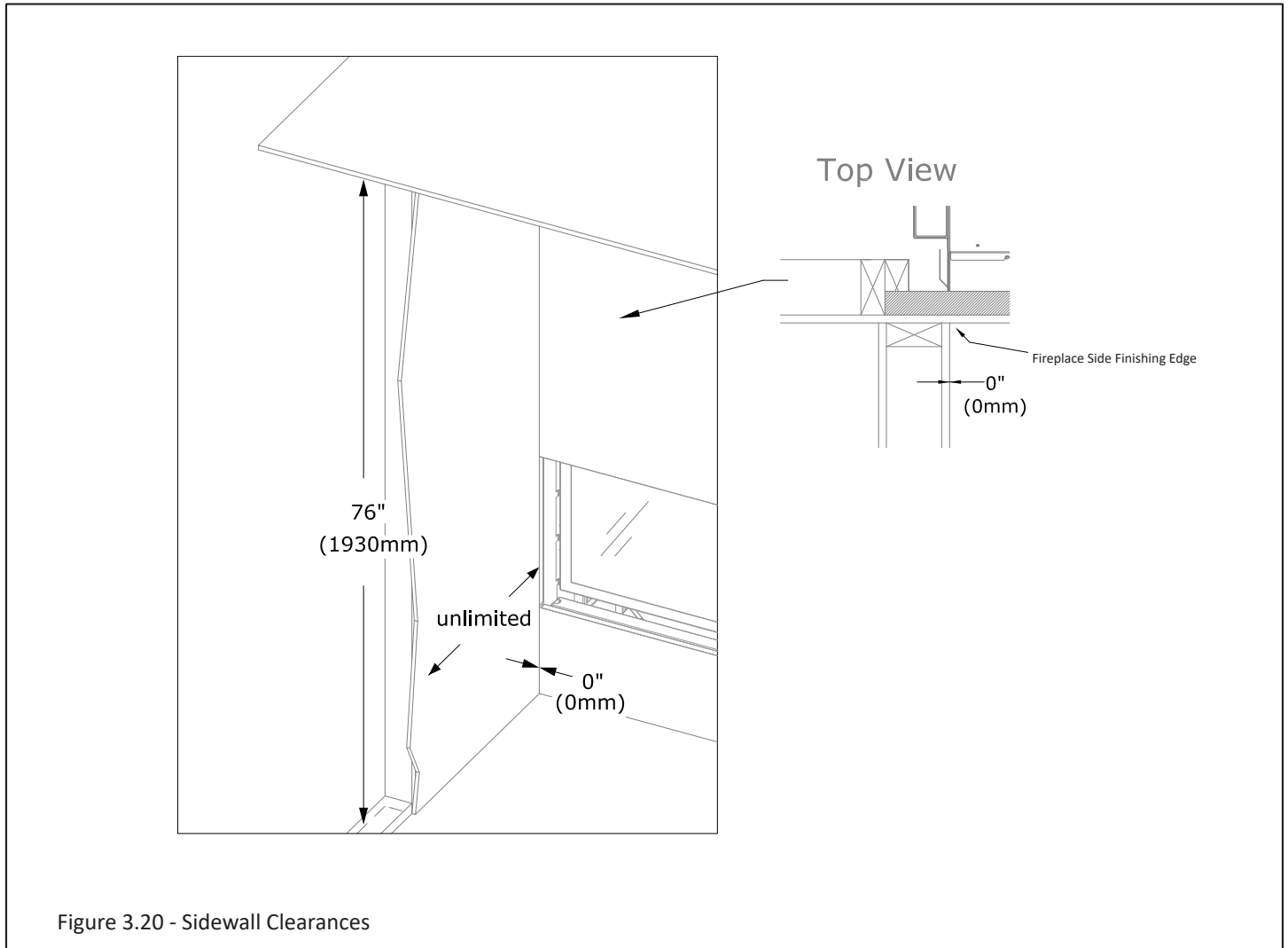


Figure 3.19 - Callaway 50 & Callaway 50 MV Hearth and Mantel Clearances - No Surround Installed

3.4.1 Callaway 50 & Callaway 50 MV Hearth, Mantel, and Sidewall Clearances (continued)

- Figure 3.20 shows the projection of a combustable adjacent sidewall projection is unlimited and starts at 0" (0mm) from the fireplace side finishing edge. If you are using an optional surround on the fireplace opening please provide the necessary clearance. For more information see Section 3.1.1.



3.4.2 Callaway ST Hearth, Mantel, and Sidewall Clearances

Combustible Hearth and Mantel Requirements

- Combustible Mantel Projections (no surround): As referenced in Figure 3.21, the 6" (152mm) combustible mantel can start at 0" (0mm) from the fireplace top finishing edge. Mantel projections can increase 1" (25mm) of depth for every 1" (25mm) of height starting at the 6" (152mm) mantel. Refer to Figure 3.1 if you are using an optional surround.
- Combustible Hearth Projections (no surround): A 14" (356mm) combustible hearth can be installed at 0" (0mm) to the fireplace bottom finishing edge if you are not using an optional surround. Hearth projections can increase 1" (25mm) of projection for every 1" (25mm) away from the bottom fireplace finishing edge. Refer to Figure 3.1 if you are using an optional surround.
- Mantel Leg: Follow "Combustible Sidewall Clearance" below. See Figure 3.22.

Adjacent Sidewall Requirements

- Combustible Sidewall Clearance: The adjacent 1" (25mm) combustible sidewall trim projection can start at 0" (0mm) from the fireplace side finishing edge. After the first 5" (127mm) combustible sidewall trim projection from the fireplace side finishing edge, the combustible sidewall projection is unlimited. See Figure 3.22.

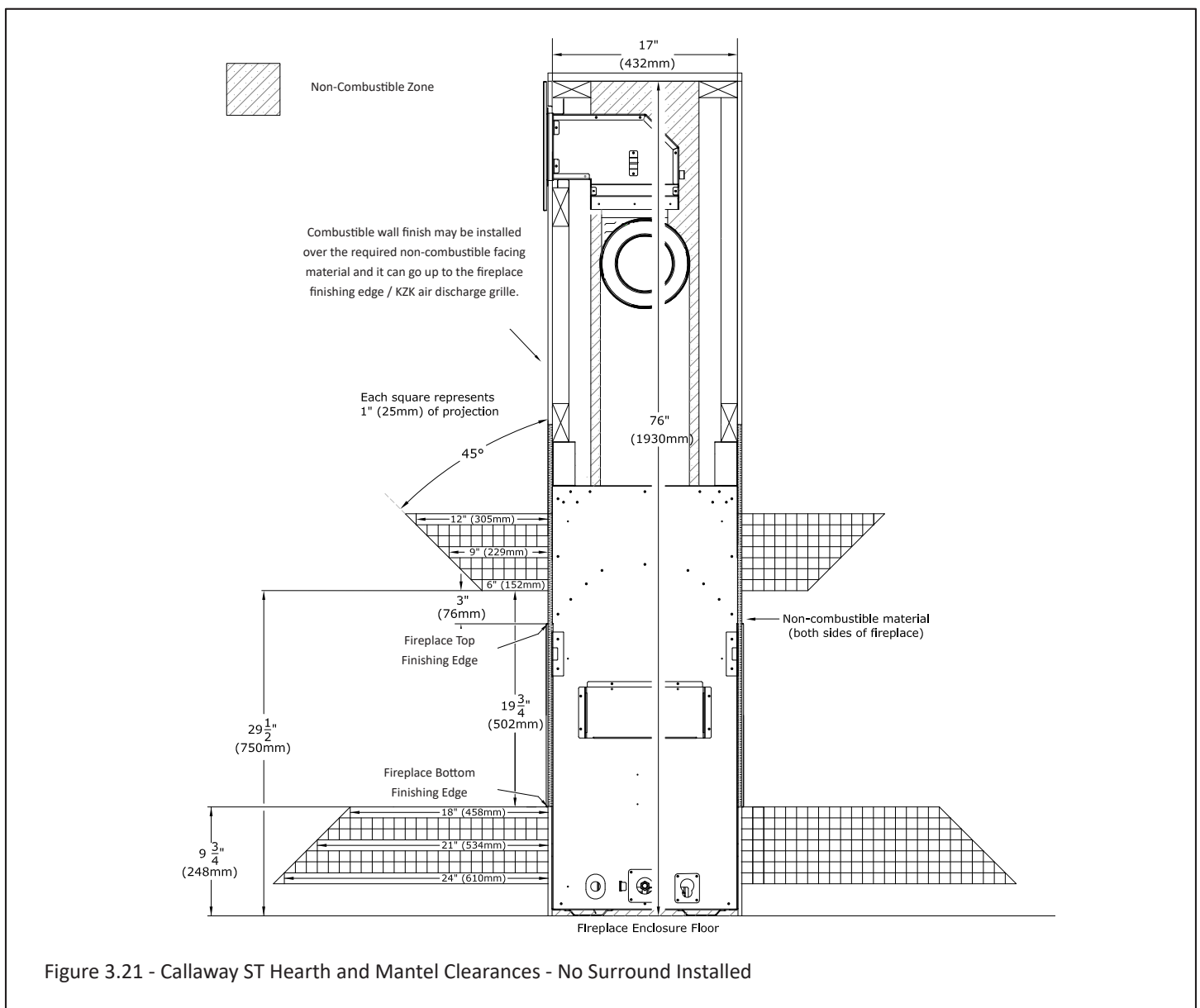


Figure 3.21 - Callaway ST Hearth and Mantel Clearances - No Surround Installed

3.4.2 Callaway ST Hearth, Mantel, and Sidewall Clearances (continued)

- Figure 3.22 shows the projection of a combustible adjacent 1" (25mm) combustible sidewall trim projection starting at 0" (0mm) from the fireplace side finishing edge. After the first 5" (127mm) combustible sidewall trim projection from the fireplace side finishing edge, the combustible sidewall projection is unlimited. If you are using an optional surround on the fireplace opening please provide the necessary clearance. For more information see Section 3.1.1.

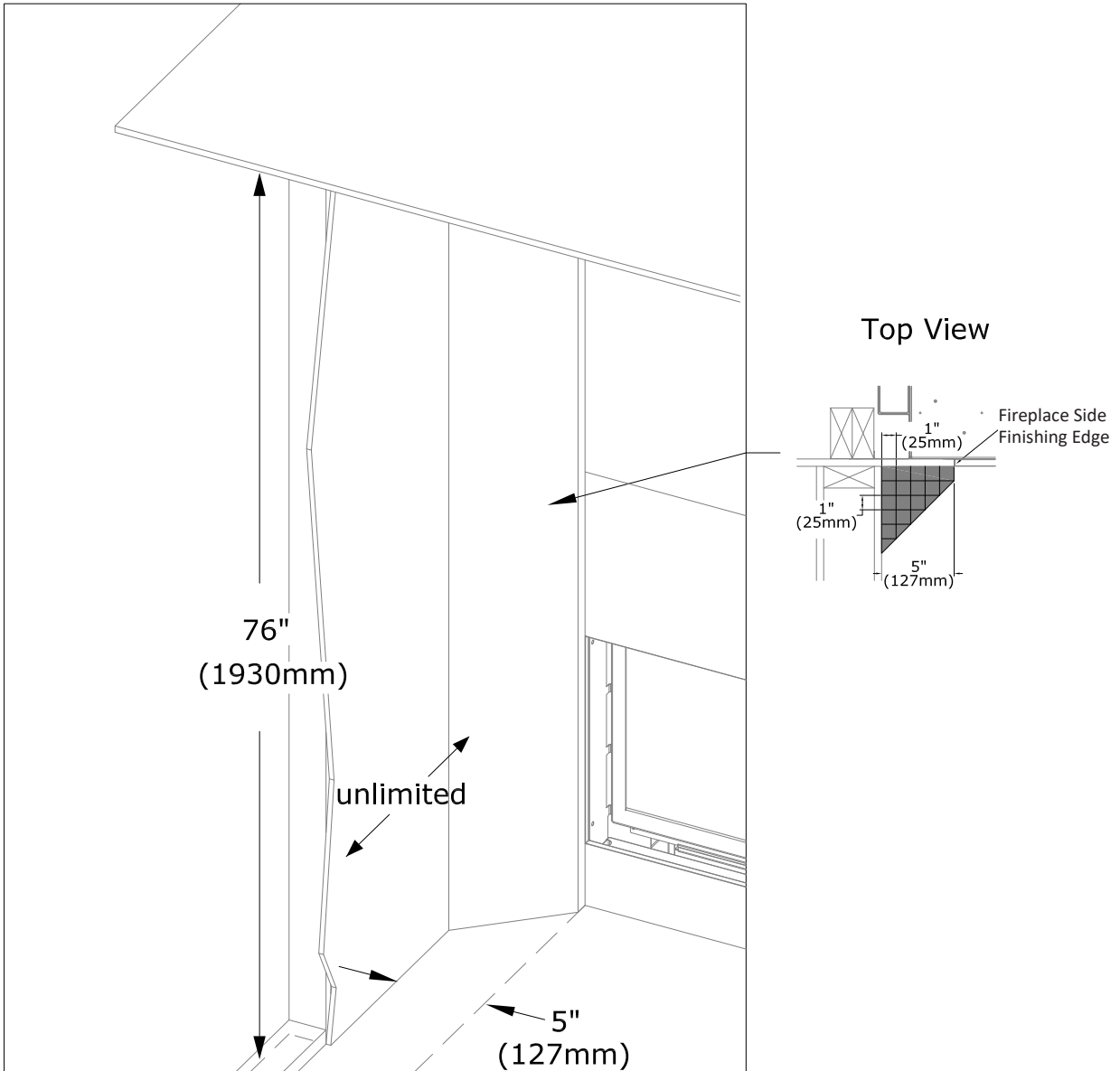


Figure 3.22 - Sidewall Clearances

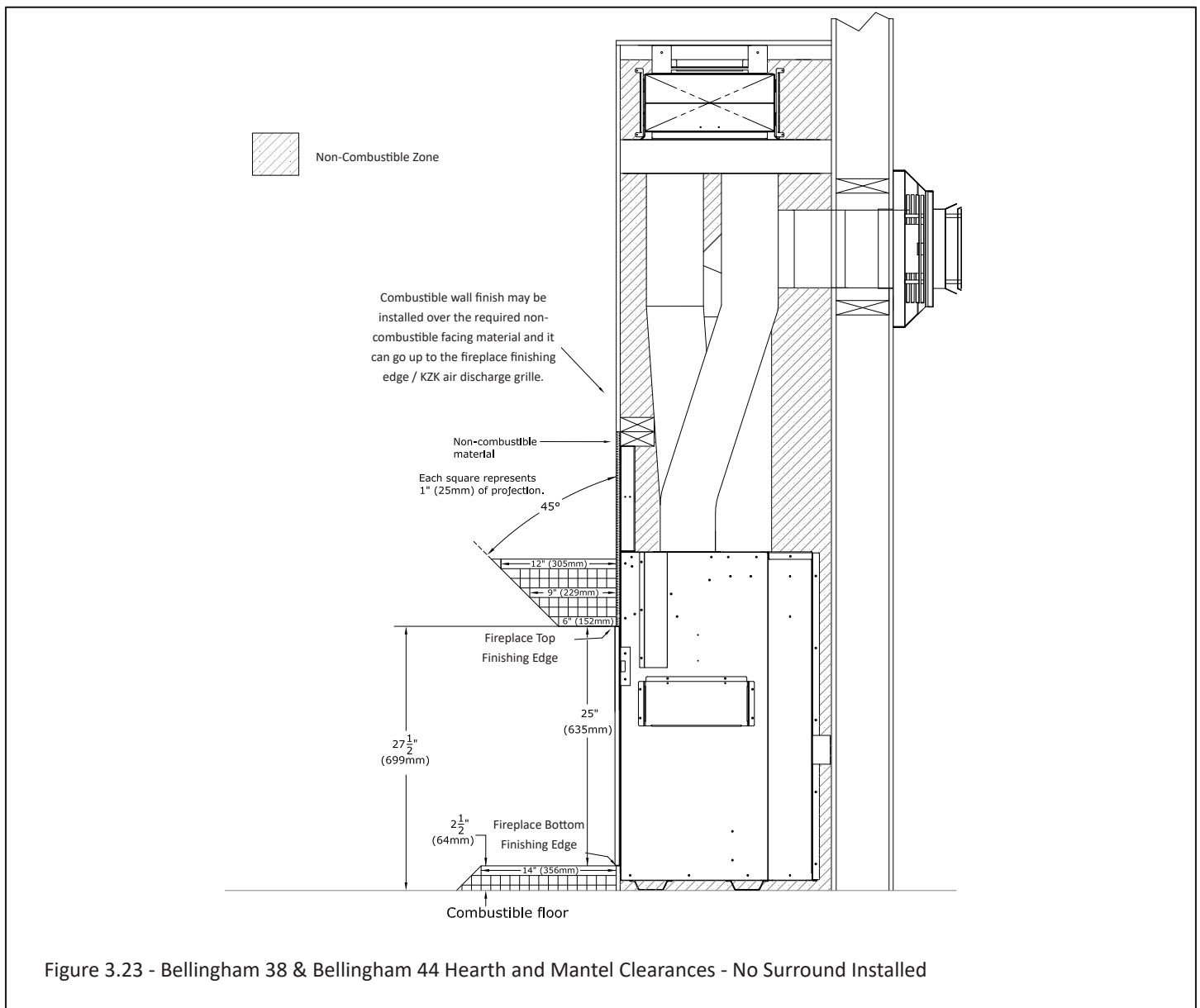
3.4.3 Bellingham 38 & Bellingham 44 Hearth, Mantel, and Sidewall Clearances

Combustible Hearth and Mantel Requirements

- Combustible Mantel Projections (no surround): As referenced in Figure 3.23, the 6" (152mm) combustible mantel can start at 0" (0mm) from the fireplace top finishing edge. Mantel projections can increase 1" (25mm) of depth for every 1" (25mm) of height starting at the 6" (152mm) mantel. Refer to Figure 3.1 if you are using an optional surround.
- Combustible Hearth Projections (no surround): A 14" (356mm) combustible hearth can be installed 0" (0mm) to the fireplace bottom finishing edge if you are not using an optional surround. Hearth projections can increase 1" (25mm) of projection for every 1" (25mm) away from the bottom fireplace finishing edge. Refer to Figure 3.1 if you are using an optional surround.
- Mantel Leg: Follow "Combustible Sidewall Clearance" below. See Figure 3.24.

Adjacent Sidewall Requirements

- Combustible Sidewall Clearance: 1" (25mm) combustible side trim projection starts at 3" (76mm) from the side finishing edge. After the first 6" (152mm) from the side finishing edge, the combustible side trim projection is unlimited. See Figure 3.24.



3.4.3 Bellingham 38 & Bellingham 44 Hearth, Mantel, and Sidewall Clearances (continued)

- Figure 3.24 shows the adjacent 1" (25mm) combustible sidewall trim projection starting at 3" (76mm) from the fireplace side finishing edge. After the first 6" (152mm) combustible sidewall trim projection from the fireplace side finishing edge, the combustible sidewall projection is unlimited. If you are using the optional rectangle surround on the fireplace opening please provide the necessary clearance. For more information see Section 3.1.2.

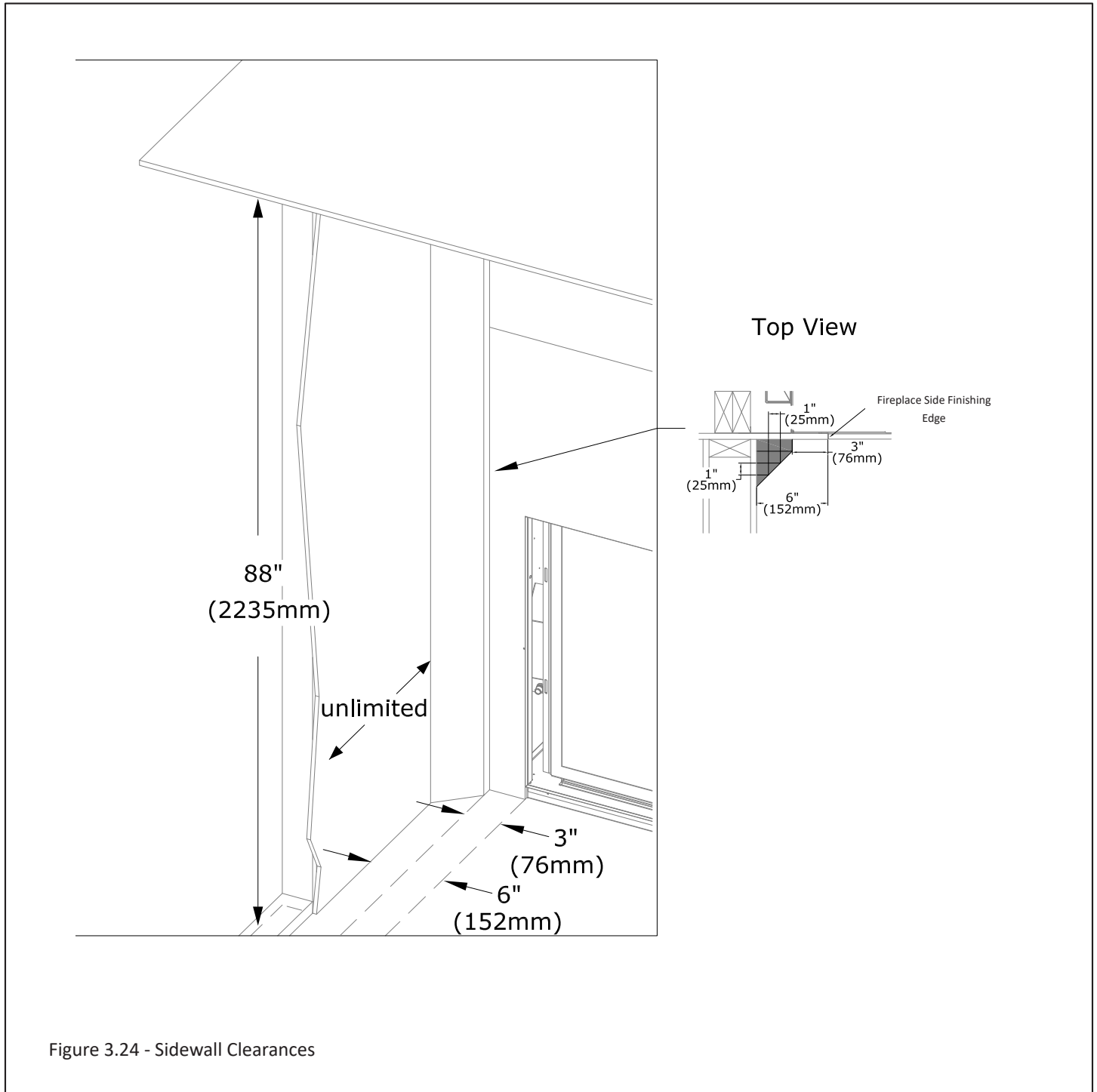


Figure 3.24 - Sidewall Clearances

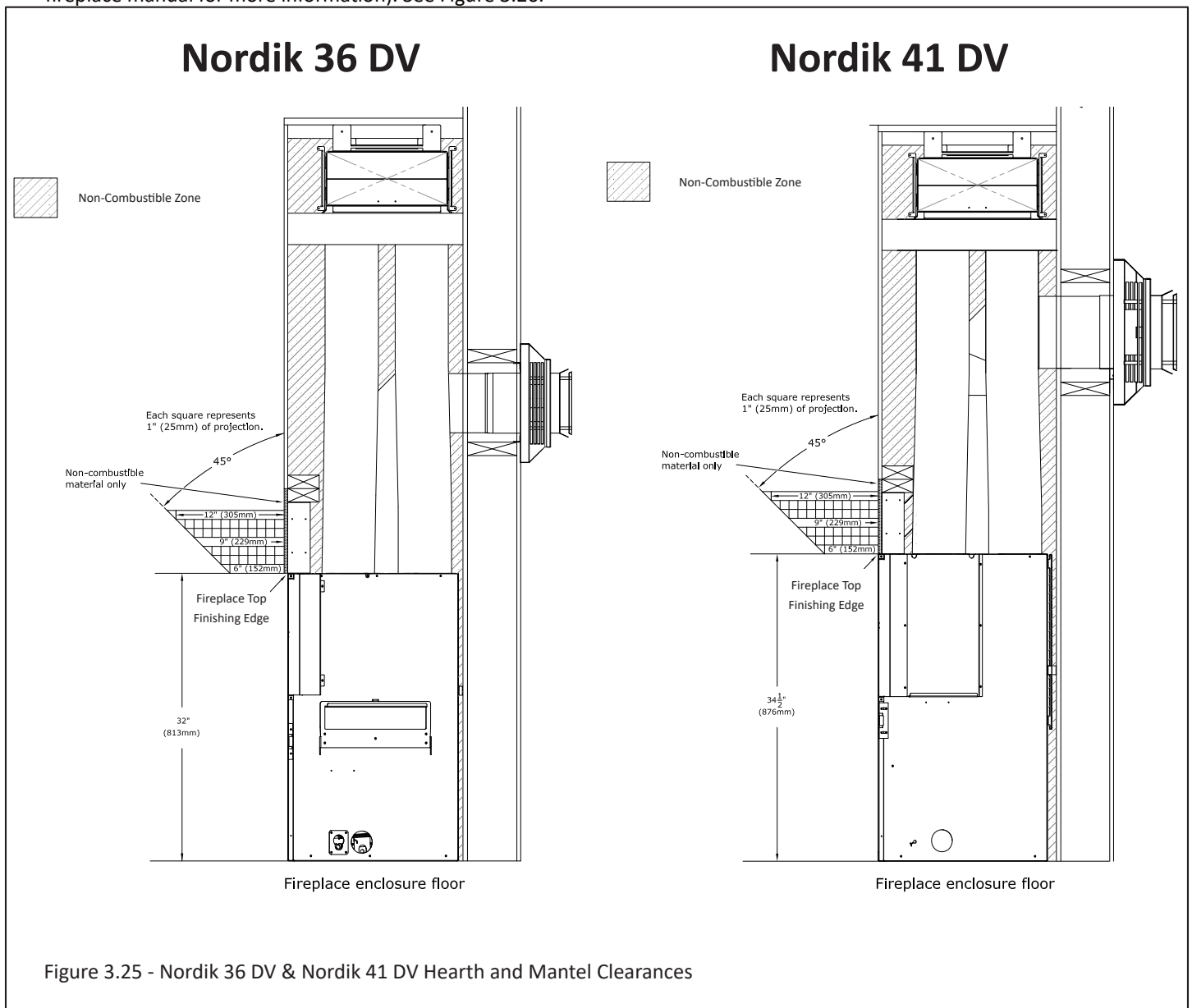
3.4.4 Nordik 36 DV & Nordik 41 DV Hearth, Mantel, and Sidewall Clearances

Combustible Hearth and Mantel Requirements

- Combustible Mantel Projections: As referenced in Figure 3.25, the 6" (152mm) combustible mantel can start at 0" (0mm) from the fireplace top finishing edge. Combustible mantel projections can increase 1" (25mm) of depth for every 1" (25mm) of height starting at the 6" (152mm) mantel.
- Combustible Hearth Projections: Combustible flooring can run underneath this appliance which would then allow an unlimited combustible hearth projection. The hearth projection cannot be elevated (vertically) past the base of the fireplace / enclosure floor.
- Mantel Leg: Follow "Combustible Sidewall Clearance" below. See Figure 3.26.

Adjacent Sidewall Requirements

- Combustible Sidewall Clearance: The adjacent sidewall projection is unlimited and starts at 3/4" (19mm) from the side of the fireplace. The sidewall can start at 0" (0mm) from the side finishing edge when using the optional finishing trim kit (see the fireplace manual for more information). See Figure 3.26.



3.4.4 Nordik 36 DV & Nordik 41 DV Hearth, Mantel, and Sidewall Clearances (continued)

- Figure 3.26 shows the projection of a combustable adjacent sidewall projection is unlimited and starts at 3/4" (19mm) from the fireplace side of the fireplace. The combustable sidewall projection starts at 0" (0mm) with the fireplace side finishing edge of the optional finishing trim kit (see the fireplace manual for more information). For more information on the optional finishing trim kit see Section 3.1.3 and 3.1.4.

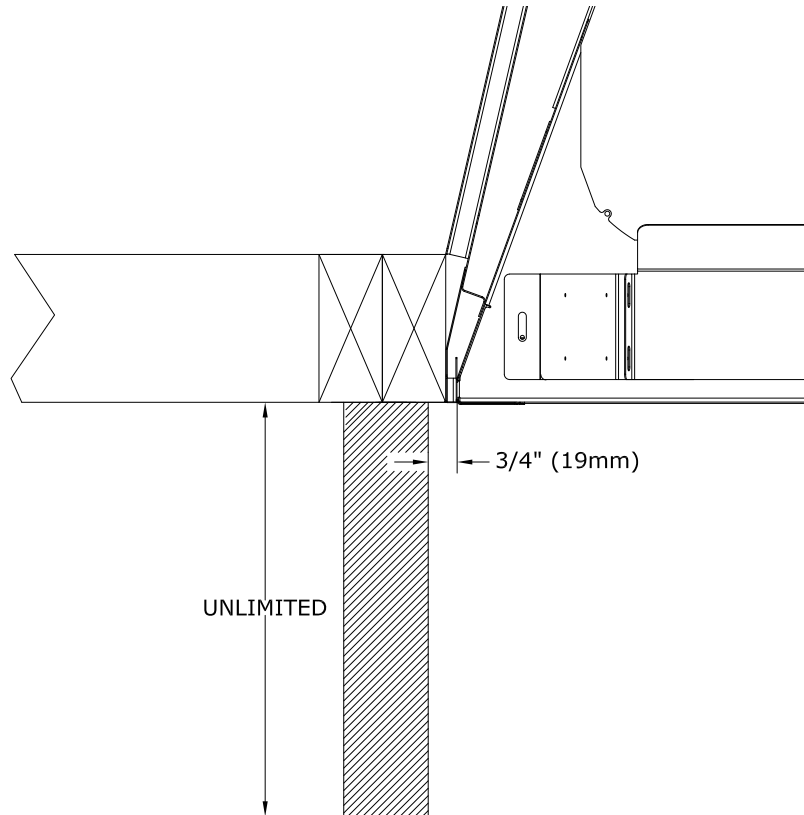


Figure 3.26 - Sidewall Clearances

4.0 Fireplace Preparation & Installation

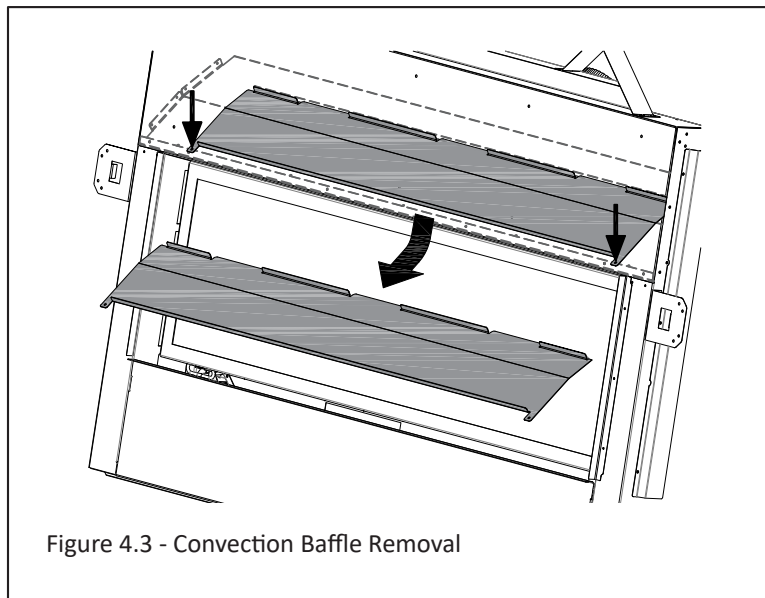
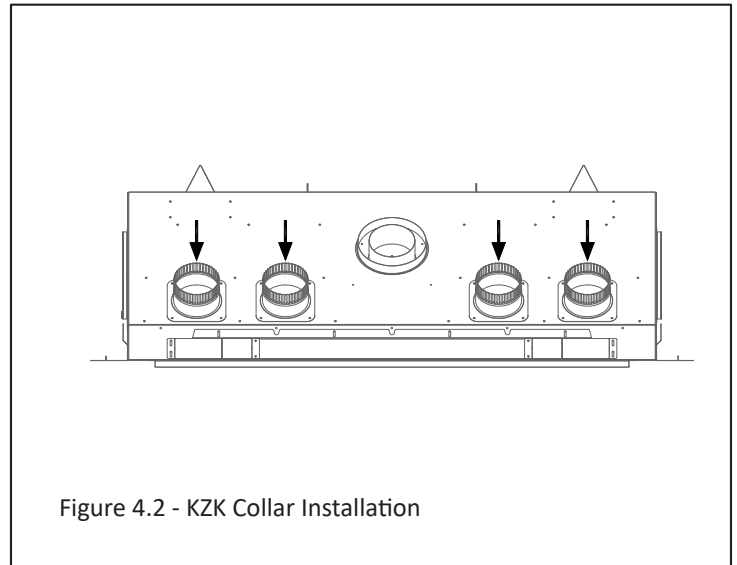
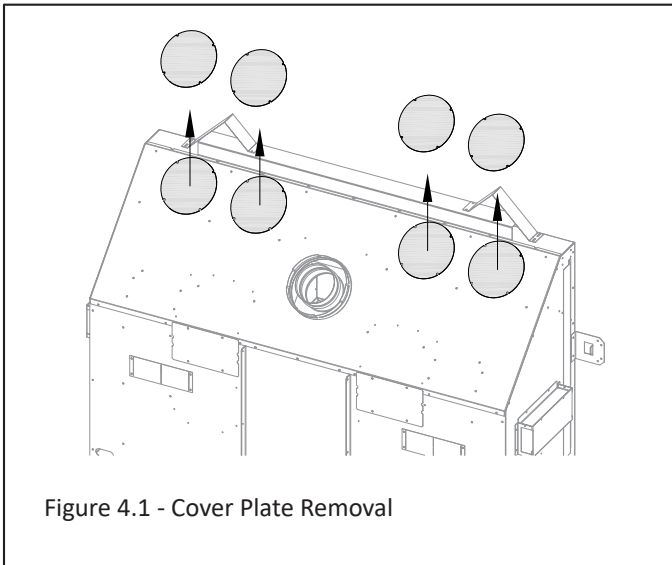
4.1 Callaway 50 & Callaway 50 MV

All contents in this kit are required and must be installed.

The Komfort Zone Kit requires to remove the cover plates and convection baffle to allow the hot airflow to convection upwards into the air ducts installed on the fireplace.

See additional requirements and installation information in the appliance manual.

1. Remove (4) cover plates on top of the appliance (4 screws each). Figure 4.1. Install the KZK collars that were provided with KZK-1510A as shown in Figure 4.2. Reuse the sheet metal screws from the previous step.
2. Remove the convection baffle from the appliance. Recycle this panel as it is no longer needed. The baffle is secured by (2) screws right behind the upper edge of the fireplace opening. See Figure 4.3 and Figure 4.4.
3. Assemble fireplace stand-off assembly. Figure 4.5.
4. Frame the rough opening of the fireplace and KZK plenums. Refer to all pages of this KZK-1510A manual and the Callaway 50 or Callaway 50 MV manual. See previous pages of this manual for allowable plenums positions and rough frame opening sizes.



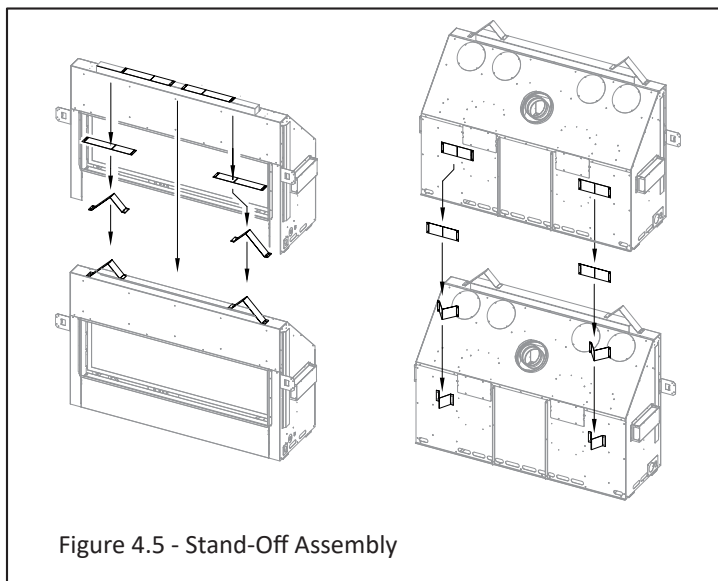
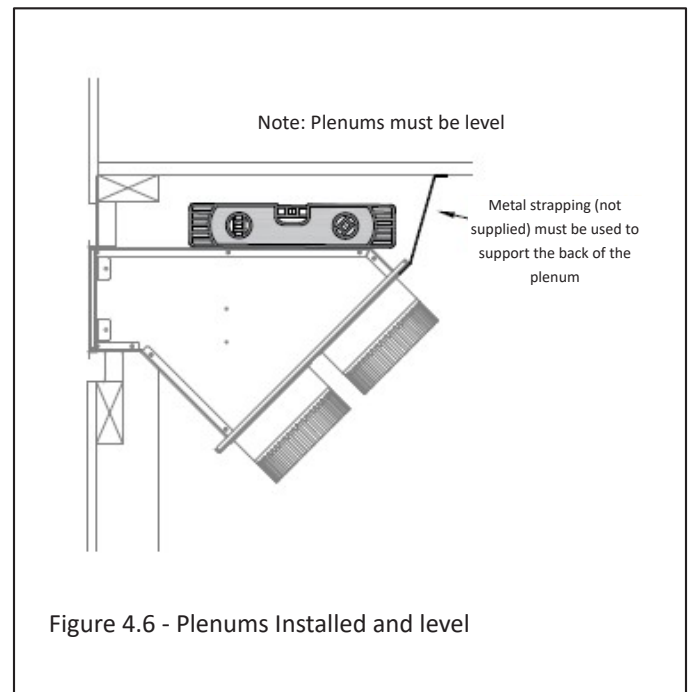
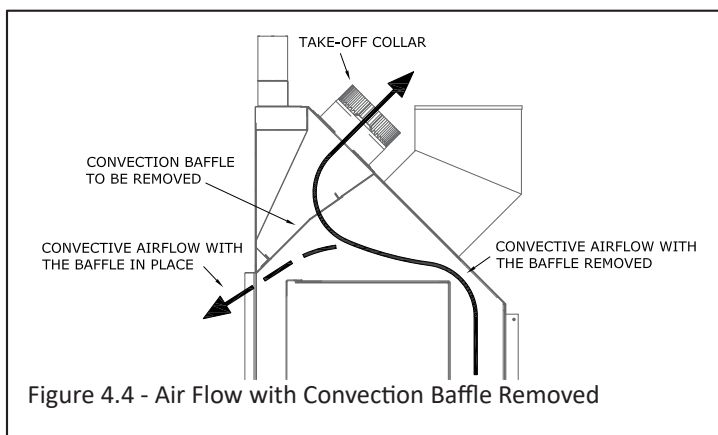
4.1 Callaway 50 & Callaway 50 MV (continued)

5. Install the plenums into the rough frame opening maintaining minimum clearances to combustibles, as listed in the previous pages of this manual, and in the fireplace installation manual. Fix the plenums to the framing using nails or screws through the top mounting brackets.

NOTE: Mounting brackets are not intended to carry the weight of the plenums and ducts. Provide support using plumbers tape to the underside of the plenums and ensure the plenums are level and their outlets are not distorted. See Figure 4.6. The plenums MUST be level for proper heat discharge.

6. Use metal strapping (not supplied) as required to further secure the plenums to framing.
7. Attach the ducts from all (4) plenum take off collars to all (4) take off collars on the fireplace. If you are mounting the plenums 10' (3.05m) or less above the fireplace, use (1) #KZK-410-6 kit or UL-181 Class 0 approved air duct. If you are mounting the plenums between 10' (3.05m) to 20' (6.10m) above the fireplace then you will need (2) #KZK-410-6 kits and #KZK-CPL6 or UL-181 Class 0 approved air duct.
8. An upward slope must be maintained in horizontal sections of air ducts for proper convection. Support horizontal sections every 24" (610mm).
9. Install the KZK air grilles and continue with fireplace installation.

If desired, the air grilles may be painted. Use high temperature paint (250°F or 120°C).



4.2 Callaway ST

All contents in this kit are required and must be installed.

The Komfort Zone Kit requires to remove the cover plates and convection baffles to allow the hot airflow to convect upwards into the air ducts installed on the fireplace.

See additional requirements and installation information in the appliance manual.

1. Remove (4) cover plates on top of the appliance (4 screws each). See Figure 4.7. Install the KZK collars that were provided with KZK-1510A. See Figure 4.8
2. Remove the convection baffles from the appliance. Recycle these panels as they are no longer needed. The (6) baffles are secured by (2) screws each behind the upper edge of both fireplace openings. Each side of the fireplace has (3) convection baffles to be removed. See Figure 4.9 and Figure 4.10.
3. Assemble and install fireplace stand-off assembly. Figure 4.11.
4. Frame the rough opening of the fireplace and KZK plenums. Refer to all pages of this KZK-1510A manual and the Callaway ST manual. See previous pages of this manual for allowable plenums positions and rough frame opening sizes.

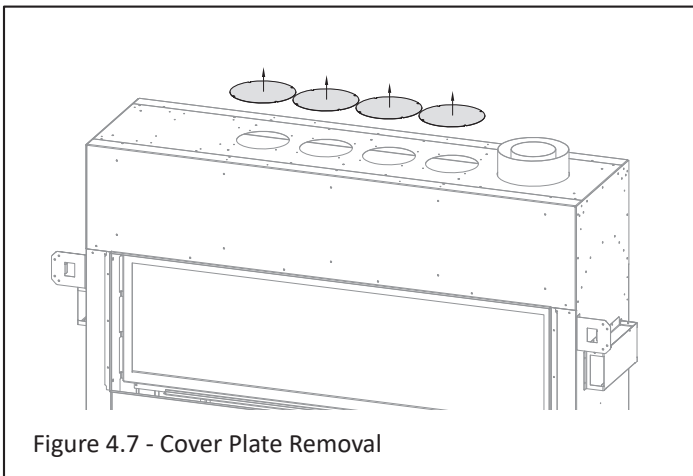


Figure 4.7 - Cover Plate Removal

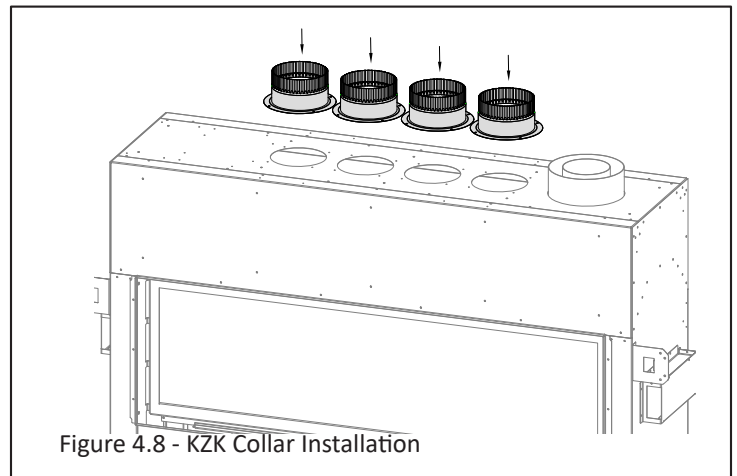


Figure 4.8 - KZK Collar Installation

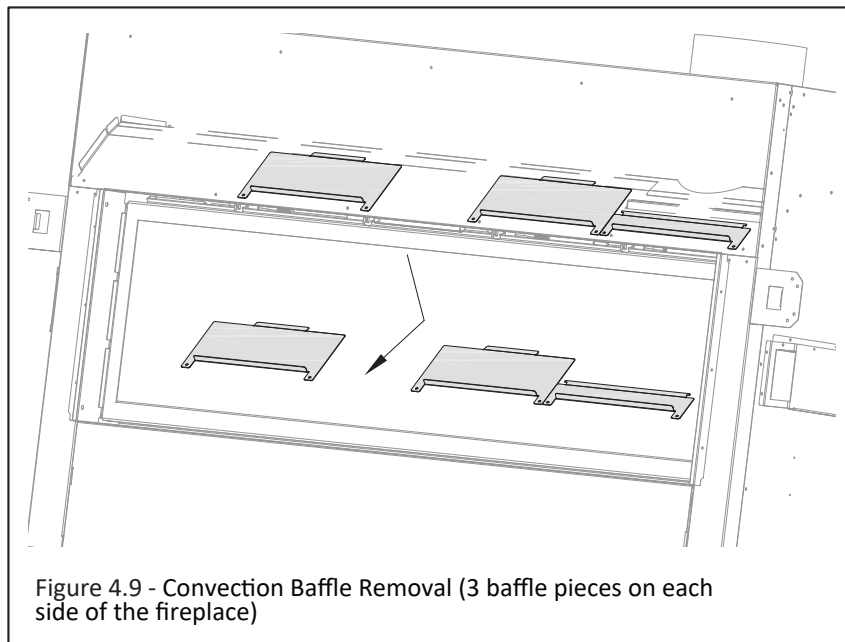


Figure 4.9 - Convection Baffle Removal (3 baffle pieces on each side of the fireplace)

4.2 Callaway ST (continued)

5. Install the plenums into the rough frame opening maintaining minimum clearances to combustibles, as listed in the previous pages of this manual, and in the fireplace installation manual. Fix the plenums to the framing using nails or screws through the top mounting brackets.

NOTE: Mounting brackets are not intended to carry the weight of the plenums and ducts. Provide support using plumbers tape to the underside of the plenums and ensure the plenums are level and their outlets are not distorted. See Figure 4.12. The plenums MUST be level for proper heat discharge.

6. Use metal strapping (not supplied) as required to further secure the plenums to framing.
7. Attach the ducts from all (4) plenum take off collars to all (4) take off collars on the fireplace. If you are mounting the plenums 10' (3.05m) or less above the fireplace, use (1) #KZK-410-6 kit or UL-181 Class 0 approved air duct. If you are mounting the plenums between 10' (3.05m) to 20' (6.10m) above the fireplace then you will need (2) #KZK-410-6 kits and #KZK-CPL6 or UL-181 Class 0 approved air duct.
8. An upward slope must be maintained in horizontal sections of air ducts for proper convection. Support horizontal sections every 24" (610mm).
9. Install the KZK air grilles and continue with fireplace installation.

If desired, the air grilles may be painted. Use high temperature paint (250°F or 120°C).

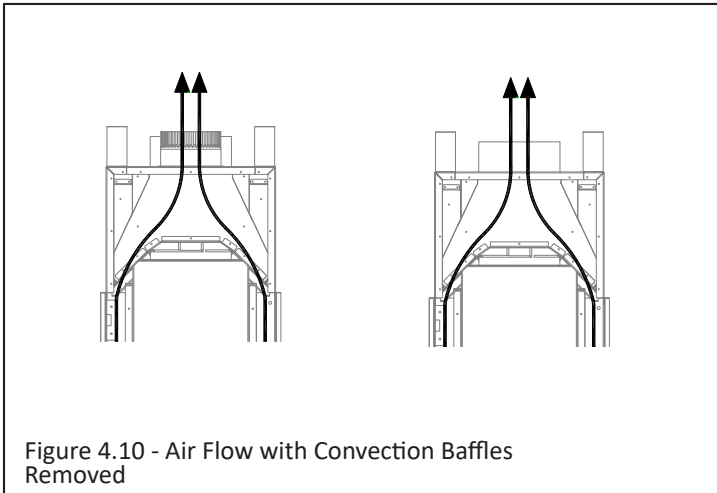


Figure 4.10 - Air Flow with Convection Baffles Removed

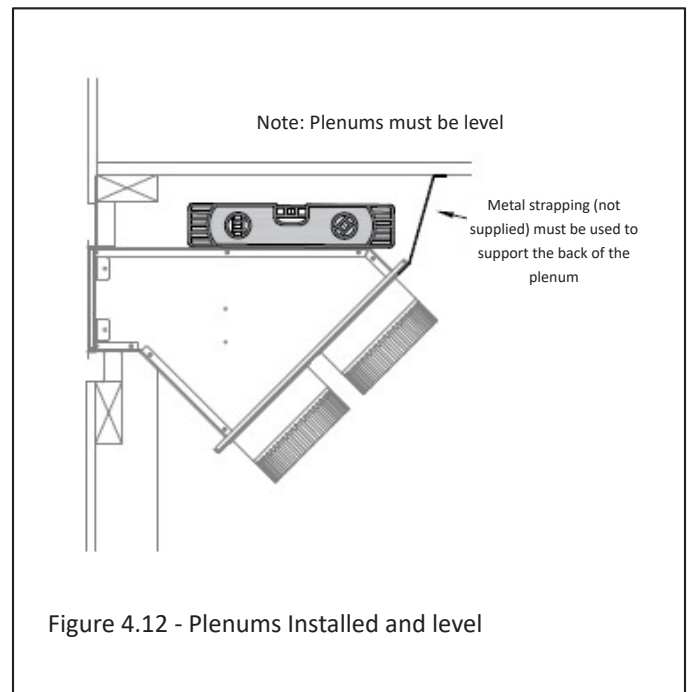


Figure 4.12 - Plenums Installed and level

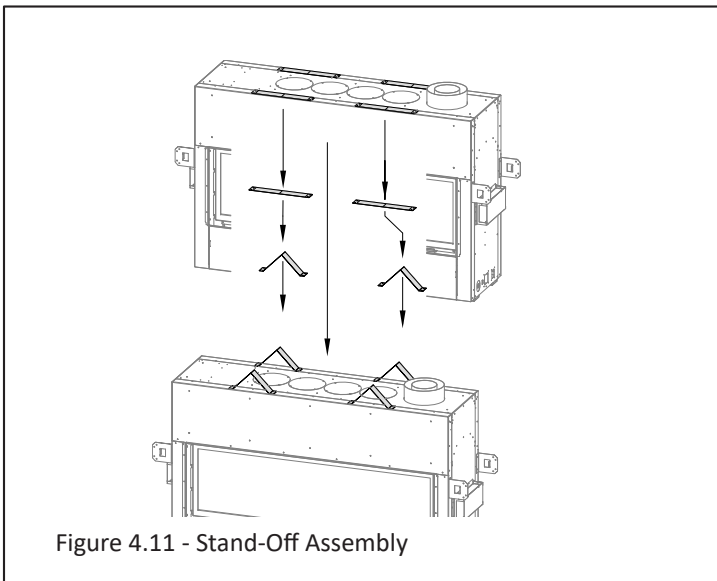


Figure 4.11 - Stand-Off Assembly

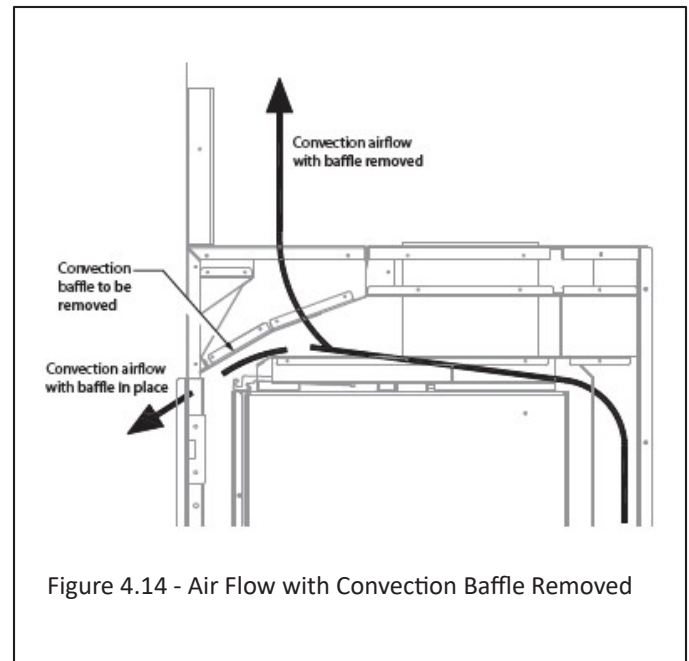
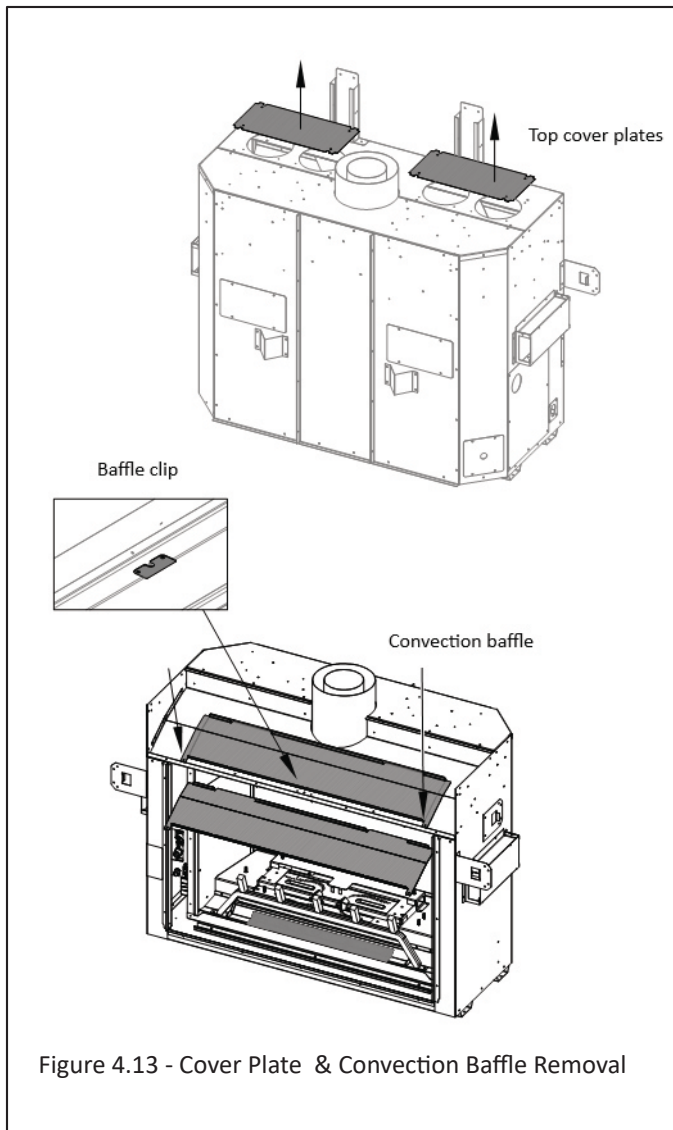
4.3 Bellingham 38 & Bellingham 44

All contents in this kit are required and must be installed.

The Komfort Zone Kit requires that the convection baffle, located above the firebox inside the appliance metal cabinet, to be removed to allow the hot airflow to convect upwards into the air ducts installed on the fireplace. You will also remove the cover plates.

See additional requirements and installation information in the appliance manual.

1. Remove the convection baffle from the appliance. The baffle is secured by (4) screws right behind the upper edge of the fireplace opening. There is a small baffle clip in the center where you remove (2) screws and then the remaining (2) screws will involve (1) screw being on each side of the convection baffle. Recycle this panel as it is no longer needed. See Figure 4.13.
2. Remove (2) cover plates on top of the appliance (4 screws each). See Figure 4.13 and Figure 4.14.
3. Align the take off collars to the corresponding holes on top of the appliance. Secure with screws previously removed. Install the take off collars to the corresponding openings on the plenums. Use supplied screws.



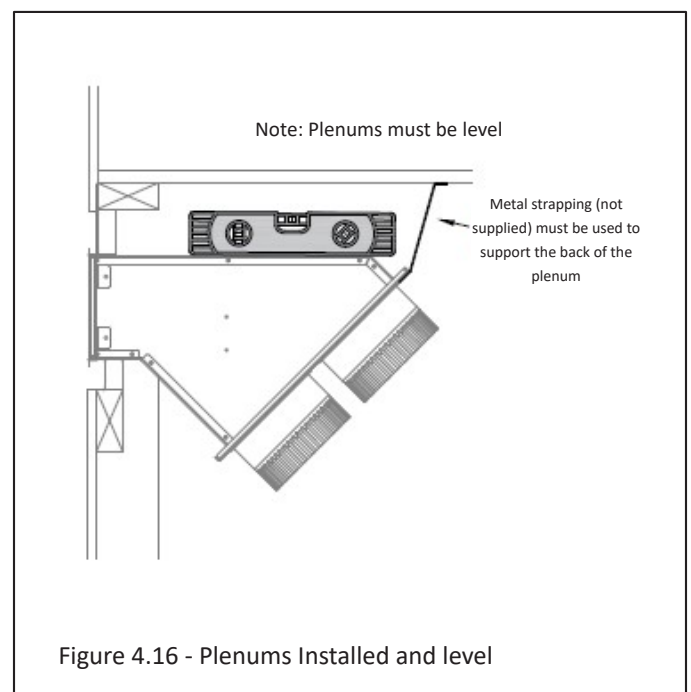
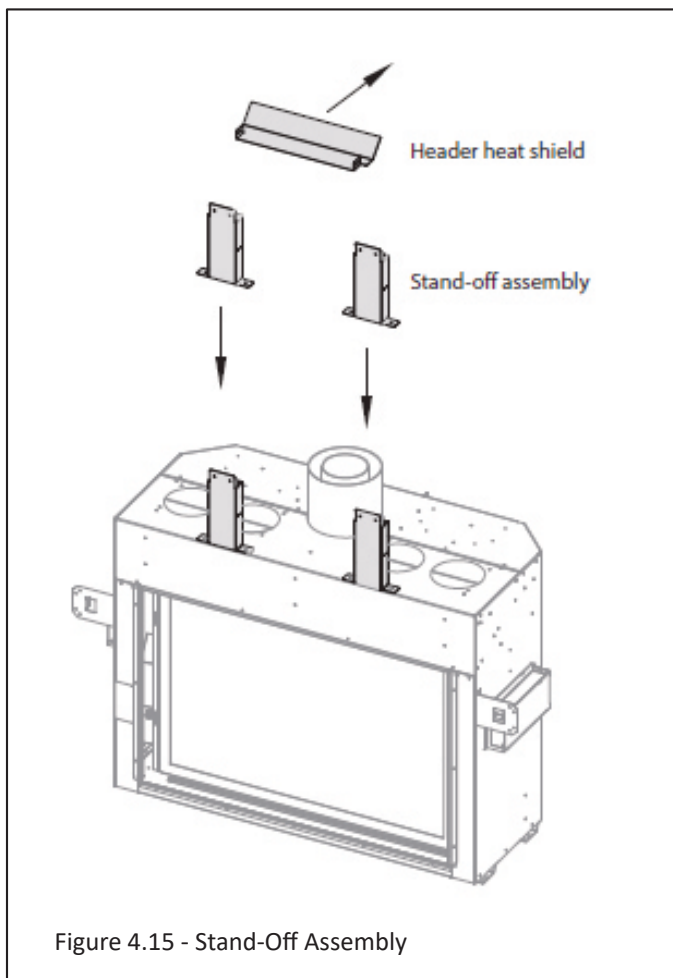
4.3 Bellingham 38 & Bellingham 44 (continued)

4. Frame the rough opening of the fireplace and KZK plenums. Refer to all pages of this KZK-1510A manual and the Bellingham 38 or Bellingham 44 manual. See previous pages of this manual for allowable plenums positions and rough frame opening sizes.
5. Install stand-off assembly on top of the appliance. See Figure 4.15. Locate the stand-off assembly and header heat shield on top of the fireplace, as shipped. Discard header heat shield. Attach the stand-off assembly pieces as shown below and secure with (4) screws.
6. Install the plenums into the rough frame opening maintaining minimum clearances to combustibles as listed in the previous pages of this manual, and in the fireplace installation manual. Fix the plenums to the framing using nails or screw through the top mounting brackets.

NOTE: Mounting brackets are not intended to carry the weight of the plenum and air ducts. Provide support using plumbers tape to the underside of the plenum and ensure the plenum is level and its outlet is not distorted. See Figure 4.16. The plenum **MUST** be level for proper heat discharge.

7. Use metal strapping (not supplied) as required to further secure the plenum to framing.
8. Attach the ducts from all (4) plenum take off collars to all (4) take off collars on the fireplace. If you are mounting the plenum 10' (3.05m) or less above the fireplace, use (1) #KZK-410-6 kit or UL-181 Class 0 approved air duct. If you are mounting the plenums between 10' (3.05m) to 20' (6.10m) above the fireplace then you will need (2) #KZK-410-6 kits and #KZK-CPL6 or UL-181 Class 0 approved air duct.
9. An upward slope must be maintained in horizontal sections of ducts for proper convection. Support horizontal sections every 24" (610mm).
10. Install the KZK air grilles and continue with fireplace installation.

If desired, the air grilles may be painted. Use high temperature paint (250°F or 120°C).



4.4 Nordik 36 DV & Nordik 41 DV

Pictures in this section are of the Nordik 36 DV but the process is the same for the Nordik 41DV. There might be minor appearance differences if you have the Nordik 41 DV.

All contents in this kit are required and must be installed.

The Komfort Zone Kit requires that the bottom section of the top outer shell assembly and insulation to be removed to allow the hot airflow to convect upwards into the air ducts installed on the fireplace, as shown in Figure 4.19. You will also remove the cover plates.

See additional requirements and installation information in the appliance manual.

1. Remove the (11) sheet metal screws that secure the top outer shell assembly. Pull this assembly straight up around the exhaust stack to remove it from the appliance. See the first image in Figure 4.17.
2. Remove the (4) cover plates where each cover plate is secured with (4) sheet metal screws. See the second image in Figure 4.17. Discard these cover plates.
3. Remove (3) sheet metal screws from the top of the outer shell assembly (see close up in bottom image of Figure 4.17) and (2) sheet metal screws on the side of the outer shell assembly (one screw on each side shown in the second image of Figure 4.17). You are now able to separate the two sections of the top outer shell assembly. Remove and discard both the insulation and the bottom section of the top outer shell assembly.

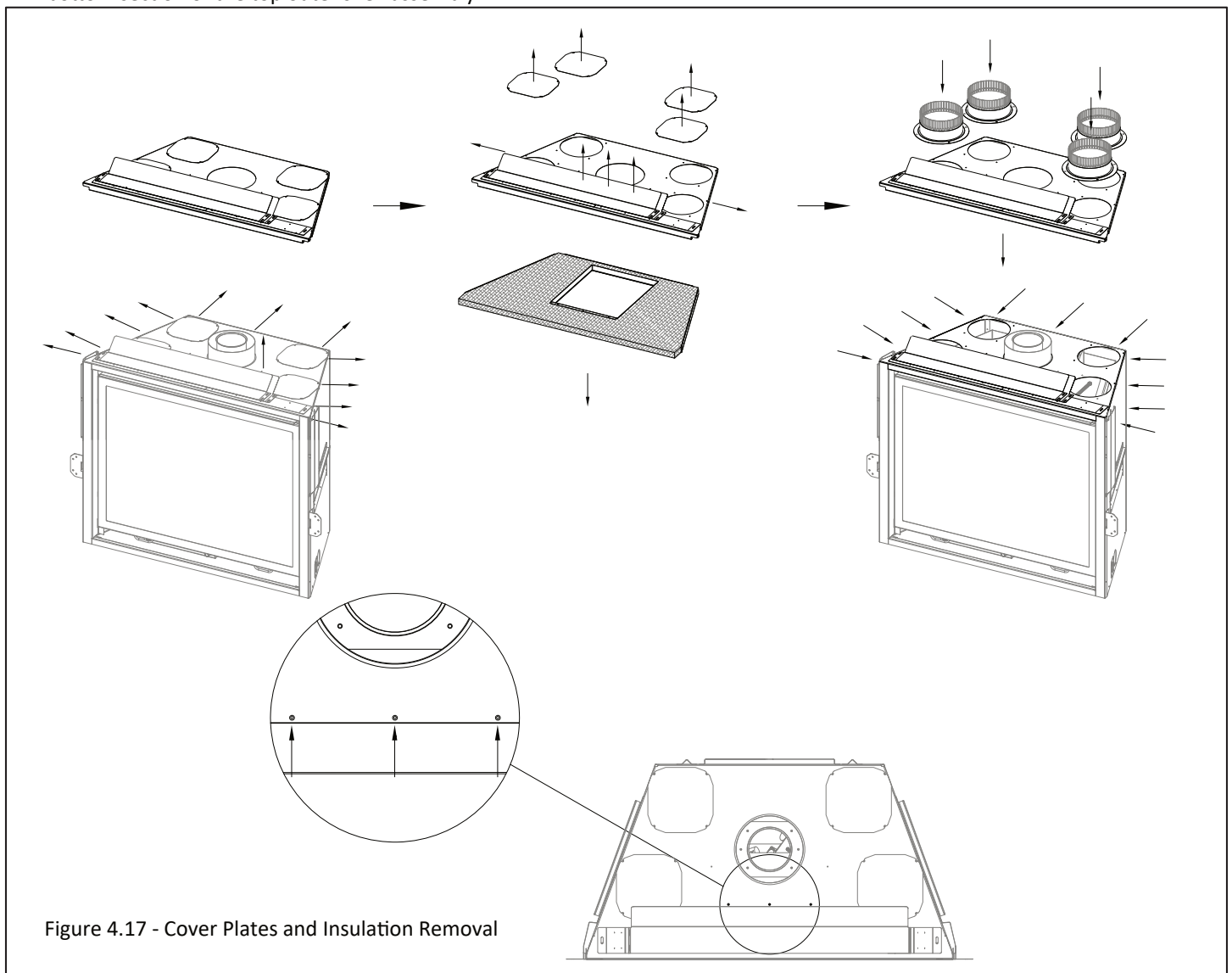
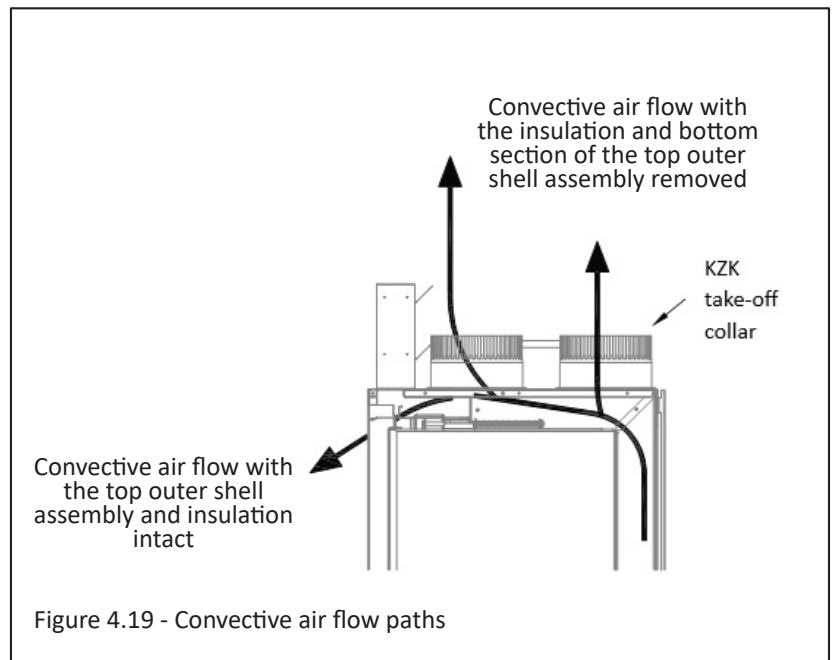
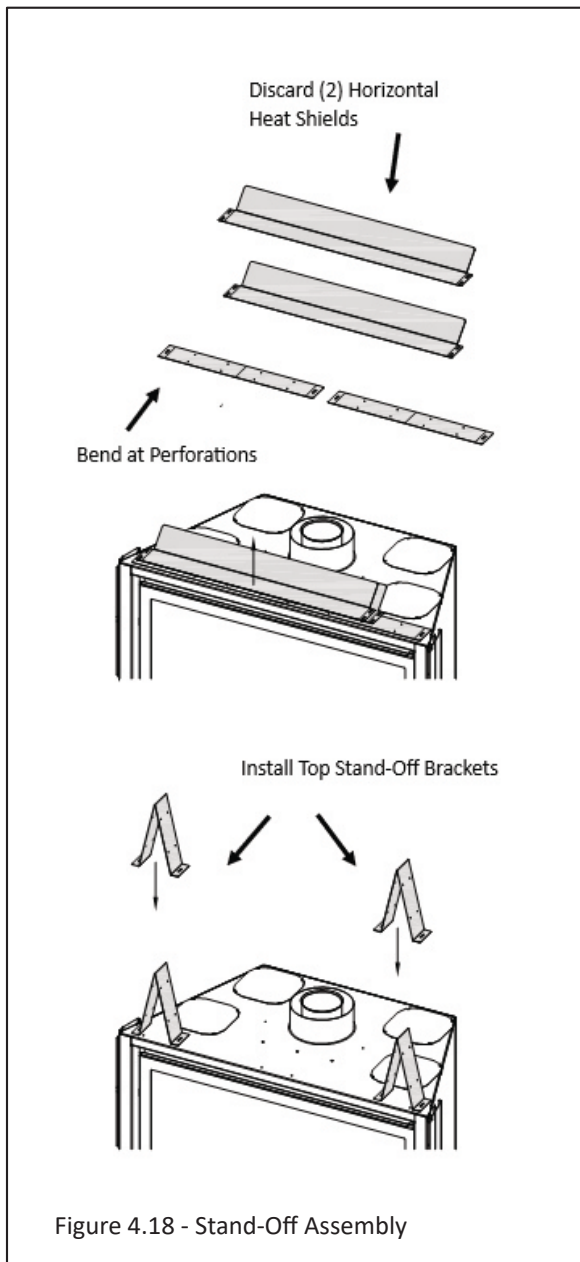


Figure 4.17 - Cover Plates and Insulation Removal

4.4 Nordik 36 DV & Nordik 41 DV (continued)

4. Reinstall the top outer shell assembly on the appliance with the previously removed (11) sheet metal screws.
5. Align the take off collars to the corresponding holes on top of the appliance. Secure with screws previously removed. Install the take off collars to the corresponding openings on the plenums. Use supplied screws.
6. Frame the rough opening of the fireplace and KZK plenum. Refer to all pages of this KZK-1510A manual and the Nordik 36 DV or Nordik 41 DV manual. See previous pages of this manual for allowable plenum positions and rough frame opening sizes.
7. Install stand-off assembly on top of the appliance. See Figure 4.18. Remove and save (4) screws securing stand-off heat shields and stand-off brackets on top of the fireplace. Form each top stand-off bracket by bending at perforations, as shown. Align the holes in the formed top stand-offs with the holes in the fireplace top. Secure with the (4) screws previously removed along with (4) screws located on top of the fireplace. Discard the (2) horizontal heat shields.



4.4 Nordik 36 DV & Nordik 41 DV (continued)

8. Install the plenums into the rough frame opening maintaining minimum clearances to combustibles as listed in the previous pages of this manual, and in the fireplace installation manual. Fix the plenums to the framing using nails or screw through the top mounting brackets.

NOTE: Mounting brackets are not intended to carry the weight of the plenums and ducts. Provide support using metal strapping to the underside of the plenums and ensure the plenums are level and their outlets are not distorted. See Figure 4.20. The plenums MUST be level for proper heat discharge.

9. Use metal strapping (not supplied) as required to further secure the plenum to framing.
10. Attach the piping from all (4) plenum take off collars to all (4) take off collars on the fireplace. If you are mounting the plenums 10' (3.05m) or less above the fireplace, use (1) #KZK-410-6 kit or UL-181 Class 0 approved air duct. If you are mounting the plenums between 10' (3.05m) to 20' (6.10m) above the fireplace then you will need (2) #KZK-410-6 kits and #KZK-CPL6 or UL-181 Class 0 approved air duct.
11. An upward slope must be maintained in horizontal sections of ducts for proper convection. Support horizontal sections every 24" (610mm).
12. Install the KZK air grilles and continue with fireplace installation.

If desired, the air grilles may be painted. Use high temperature paint (250°F or 130°C).

Nordik 36 DV - IMPORTANT: The B36-PSF2 and B36-FRSF2 safety screen barriers are ONLY approved for use when the Nordik 36 DV is installed with the #KZK-1510A. See Figure 3.3. The other (4) safety barriers shown in Figure 3.2 are approved in all installation scenarios.

Nordik 41 DV - IMPORTANT: The B41-PSF2 and B41-FRSF2 safety screen barriers are ONLY approved for use when the Nordik 41 DV is installed with the #KZK-1510A. See Figure 3.5. The other (4) safety barriers shown in Figure 3.4 are approved in all installation scenarios.

