

OSSEO eSERIES ELECTRIC FIREPLACES

e29 INSERT | e34 INSERT | e50 LINEAR | e64 LINEAR | e80 LINEAR



Osseo e64, panoramic bay installation

QUALITY FIREPLACES FOR LIFE.

KOZY  HEAT
FIREPLACES



Osseo e50 with traditional log set

OSSEO eSERIES

Log Options



Birch Logs



Traditional Logs

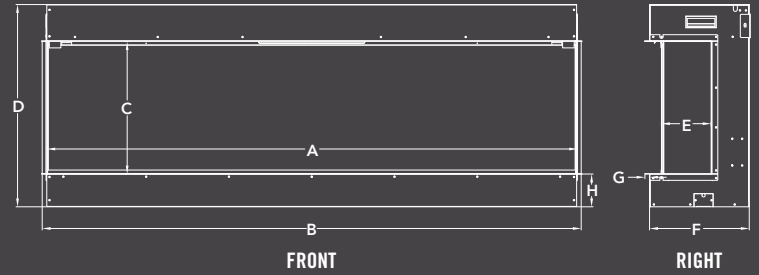


Real Timber Logs

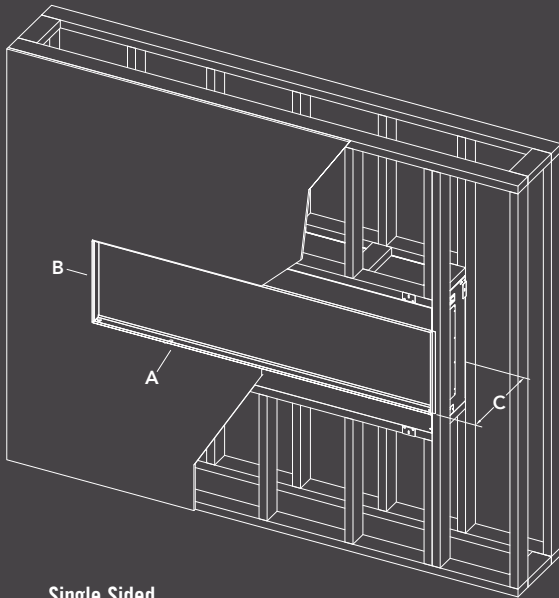
OSSEO eSERIES

Front Facing, Corner (Right or Left), and Panoramic Bay

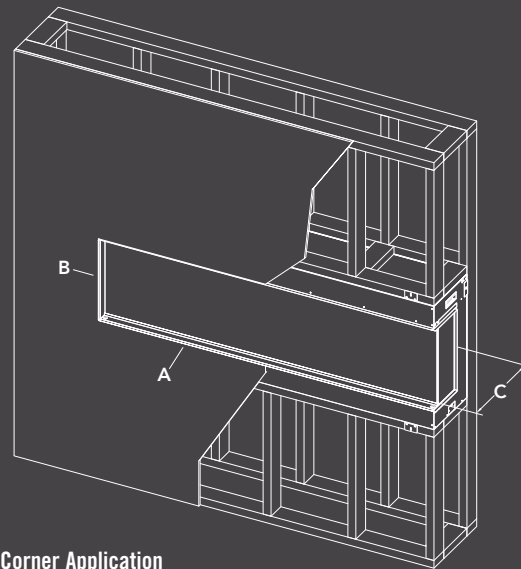
PRODUCT DIMENSIONS								
Model	A	B	C	D	E	F	G	H
OS0-e50	49-1/4"	50-1/2"	15-7/8"	24"	5-5/8"	11-7/8"	1/2"	3-7/8"
OS0-e64	63"	64-1/4"	15-7/8"	24"	5-5/8"	11-7/8"	1/2"	3-7/8"
OS0-e80	78-3/4"	80"	15-7/8"	24"	5-5/8"	11-7/8"	1/2"	3-7/8"



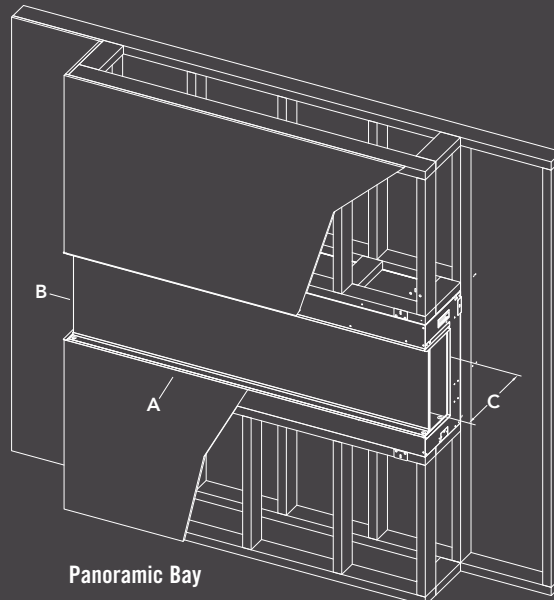
Model	FRAMED OPENING DIMENSIONS			3 SIDED FRAMED OPENING DIMENSIONS		
	A	B	C	A	B	C
OS0-e50	49-3/4"	24-1/2"	12-1/4"	49-3/4"	24-1/2"	12-1/4"
OS0-e64	63-1/2"	24-1/2"	12-1/4"	63"	24-1/2"	12-1/4"
OS0-e80	79-1/4"	24-1/2"	12-1/4"	78-3/4"	24-1/2"	12-1/4"



Single Sided



Corner Application



Panoramic Bay



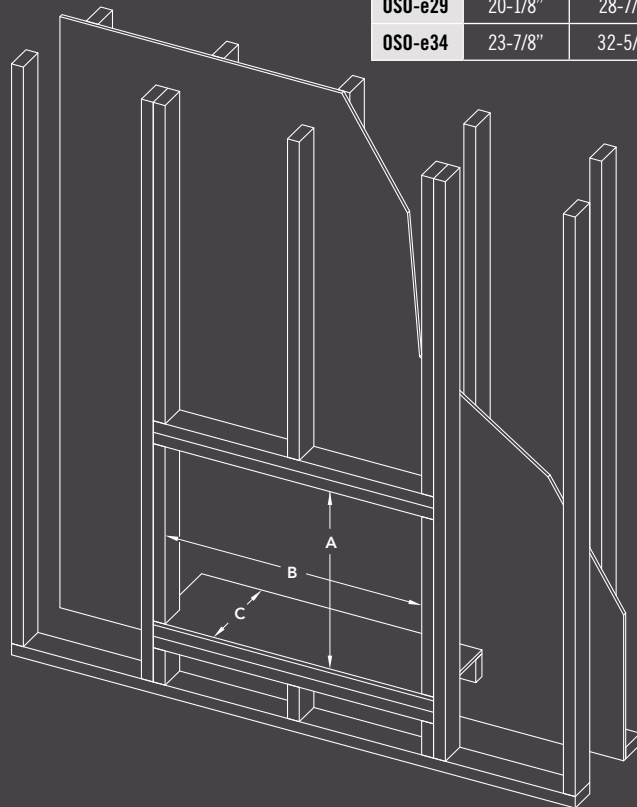
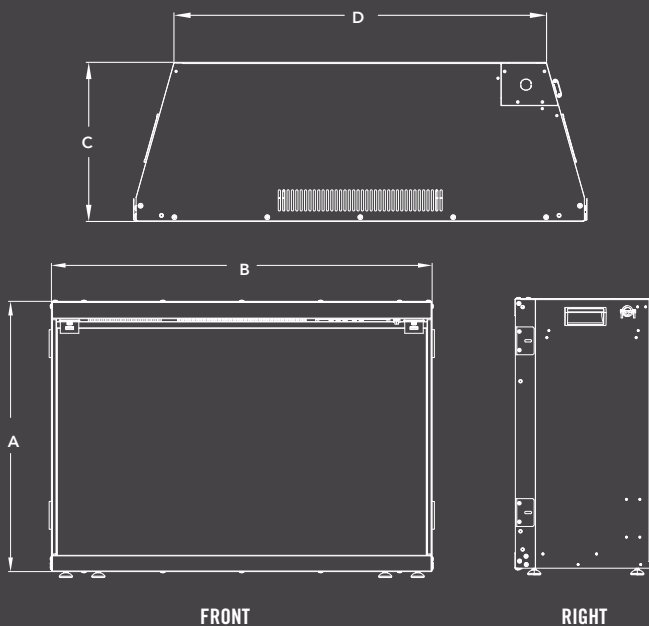
Osseo e34 built-in installation with rectangle surround

OSSEO eSERIES

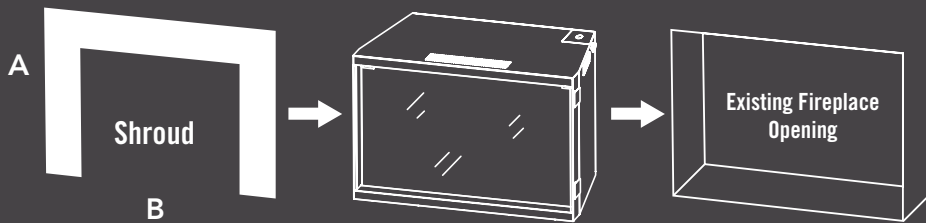
Insert

PRODUCT DIMENSIONS				
Model	A	B	C	D
OSO-e29	19-1/16"	28-9/16"	11-1/2"	23"
OSO-e34	22-7/8"	32-5/16"	11-1/2"	26-3/4"

BUILT-IN FRAMING DIMENSIONS			
Model	A	B	C
OSO-e29	20-1/8"	28-7/8"	11-5/8"
OSO-e34	23-7/8"	32-5/8"	11-5/8"



Osseo e34 insert application
with birch logs, shroud, and
prairie design screen front



EXISTING FIREPLACE SHROUD OPTIONS

MODEL	A	B	PART NUMBER
OSE-E29	25"	38"	CK29-2538 Shroud
OSE-E29	27 1/2"	42"	CK29-27542 Shroud
OSE-E29	30"	44"	CK29-3044 Shroud

OSE-E34	27"	40"	CK34-2740 Shroud
OSE-E34	30"	44"	CK34-3044 Shroud
OSE-E34	33"	46"	CK34-3346 Shroud

*Insert application. Must order screen front.

OSE-E29	27"	40"	OSE29-2740 Shroud
OSE-E29	31"	40"	with Bottom Riser

OSE-E34	32"	44"	OSE34-3244 Shroud
OSE-E34	36"	44"	with Bottom Riser

*Insert application without an optional screen front

OSSEO eSERIES

Screen Fronts

Osseo e29 & e34 Insert/Built-Ins are capable of using Chaska Series Shrouds and Fronts

35-3/8" / 31-3/4"

24" /
20-3/16"



Brushed Stainless



Antique Copper

Rectangle Screen Front

Available in Black, Brushed Stainless & Antique Copper

35-3/8" / 31-3/4"

24" /
20-3/16"



Prairie Screen Front

Screen Front available in Black

35-1/4" / 31-9/16"

24" /
20-3/16"

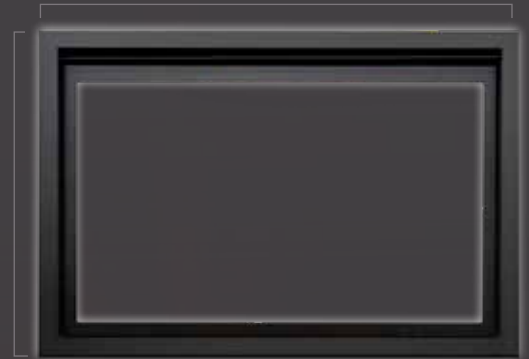


Arched Mission Screen Front

Available in Vintage Bronze

33-1/4" / 36-7/8"

21-34" /
25-1/2"

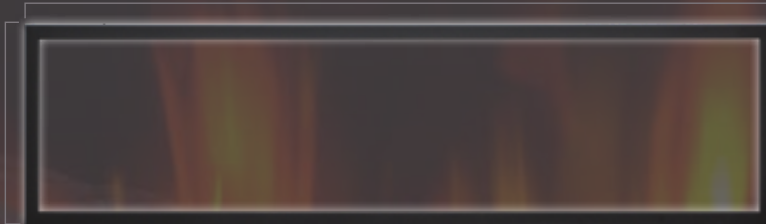


Rectangle Surround

Recommended with smooth wall finishes; built-in application.

51-3/8" / 65-1/8" / 80-7/8"

18" /
18" /
18"



Rectangle Surround (1 Piece)

Osseo e50 | Osseo e64 | Osseo e80

Available in Black

Shown with rectangle screen front and required hanging brackets (not visible)



OSSEO eSERIES

Flame & Lighting Options

Flame Options



Ultra-realistic Flame Pattern: Amber, Orange, or Combination
(5 Levels of Intensity / 3 Flame Speeds)

Lighting Options

Downlight Accent Lighting: 7 Colors (5 Levels of Intensity)
Glowing Ember Bed: 13 Colors (5 Levels of Intensity)
Variations in the color and tone are common in the printing process, therefore actual colors may vary slightly from those shown.



Burn Videos



Osseo e50
Birch



Osseo e50
Traditional



Osseo e34 Insert
Birch

OSSEO eSERIES

Specifications

Model	Osseo e29	Osseo e34	Osseo e50	Osseo e64	Osseo e80
Weight	70 lbs.	83 lbs.	133 lbs.	156 lbs.	212 lbs.
Viewing Area	19-1/16" x 28-9/16"	22-7/8" x 32-5/16"	15-7/8" x 49-1/4"	15-7/8" x 63"	15-7/8" x 78-3/4"
Heater	750W / 1500W @ 120V 5,000 BTUs				
Electrical	Plug in or hardwired 120V with Energy Saving LED light kits				
Light Kits	Downlighting & Ember Bed Light Kit				
Included Media	Smoked Glass Crystals				
Optional Log Sets	Real Timber Logs, Traditional Logs or Birch Logs				
Multi-Function Remote Control	Thermostat Control, Timer (30 Min. – 8 HR)				
Multi-Design Options	Front Facing		Front facing, Corner (Right or Left) and Panoramic Bay		
Optional Fronts	Chaska Series Screen Fronts		Rectangle Surround		
Shroud Options	Chaska Series Shrouds		3-or-4-piece Osseo Shrouds		
Liner	Reflective Glass Firebox Liner				
Crackling Log Effect	Hi / Med / Lo				

Features, Options & Specifications are subject to change.

Refer to the install manuals for complete installation requirements.

Clearances

Model	Osseo e29	Osseo e34	Osseo e50	Osseo e64	Osseo e80
Bottom of Appliance	0"	0"	0"	0"	0"
Left and Right Sides of Appliance	0"	0"	0"	0"	0"
Back of Appliance	0"	0"	0"	0"	0"
Top of Appliance:	1"	1"	0"	0"	0"
Top Finishing Edge to 12" Mantel:	0"	0"	0"	0"	0"
Bottom Finishing Edge to Unlimited Hearth:	0"	0"	0"	0"	0"
Combustible Material in Front of Glass Viewing Area:	36"	36"	36"	36"	36"



**BUILD
YOUR FIRE**



In order to continually provide the highest quality product available, features/options, specifications & dimensions are subject to change. Refer to the unit installation manual for complete installation instructions. Installation must conform with local building codes.

Hussong Mfg. Co., Inc.
204 Industrial Park Road, Lakefield, MN 56150
Phone 1-800-253-4904 www.kozyheat.com 6-26



Product Line:



For complete information on the Kozy Heat product line, please contact us at:

FOR CALIFORNIA RESIDENTS ONLY
⚠️ California Proposition 65 Warning
WARNING: Cancer and Reproductive Harm -
www.P65Warnings.ca.gov.

KOZY HEAT
FIREPLACES