

Nordik 48 DV Black Glass Panel & Refractory Panel Installation

For Part#: NK48-CB900, NK48-L900, NK48-BB900, NK48-HB900, NK48-BG900

WARNING: This product can expose you to chemicals including ceramic fiber and/or silica dust which is (are) known to the State of California to cause cancer, birth defects, or other reproductive harm. For more information, visit www.P65Warnings.ca.gov

- Included Parts: (4) finger panel clips, (2) bottom panel clips, (8) sheet metal screws

Note: When installing black glass panels ensure the textured side of the glass panel is installed on the back-side. The smooth side of the panel should face outward.

Note: These clips are shipped flat. Separate clips and bend the metal fingers at a 90° angle. The metal fingers can be trimmed according to your installation. Ensure there is enough material to hold the panel.

Installation:

1. Remove the safety screen barrier, glass assembly, log set (if installed).
 2. Remove the (4) screws securing the log rack/media tray. Install the front bottom light kit bulbs if they are not already installed.
 3. Next loosen the flange nut at the bottom of the left / right burner assemblies. Remove the screw that secures the left or right burner assembly to the rear burner. Remove the left and right burner assemblies.
 4. Tilt the rear panel and install it flat against the rear of the firebox. Ensure the rear panel sits on top of the lip at the back of the firebox. Secure the rear panel with two finger panel clips at the top of the firebox. See Figure 4.
 5. Install the side panels and secure with the provided finger panel clips. Depending on the panel set being used the clips may have to angle back towards the rear of the fireplace. On the fiber panel set is recommended that the metal finger of the panel clip be located in a grout line of the bricks if possible. See Figure 4.
- Black Glass Panels Only: Install the bottom panel clips on the side panels to secure the glass panels. See Figure 5.
6. Reference the log set instructions on installing the log set in the correct order.
 7. Reinstall the left and right burner assemblies, log rack/media tray, glass assembly and screen barrier.

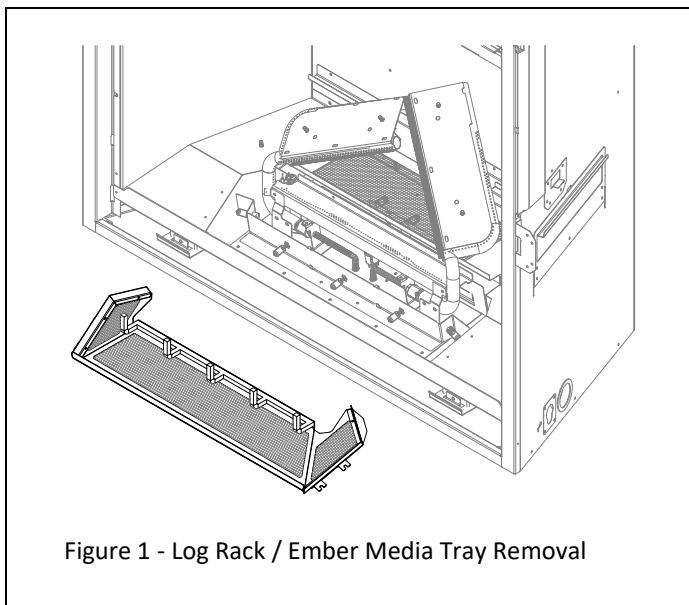


Figure 1 - Log Rack / Ember Media Tray Removal

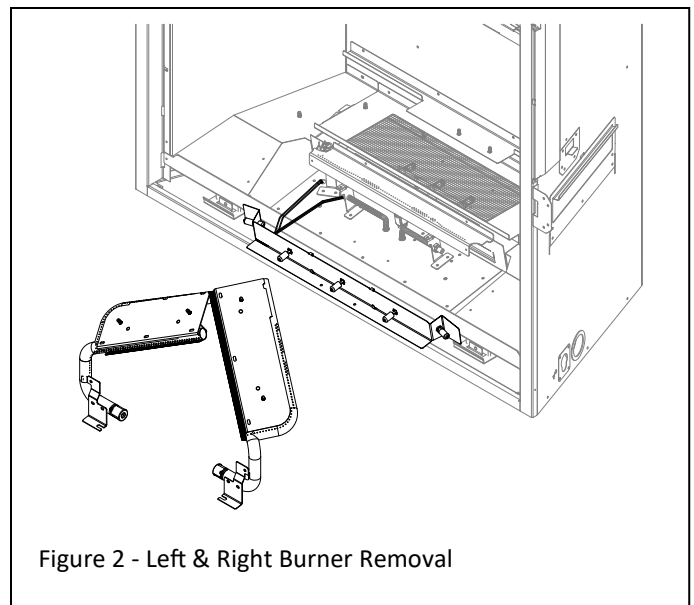


Figure 2 - Left & Right Burner Removal

