

# #NK48-B501 BIRCH LOG SET

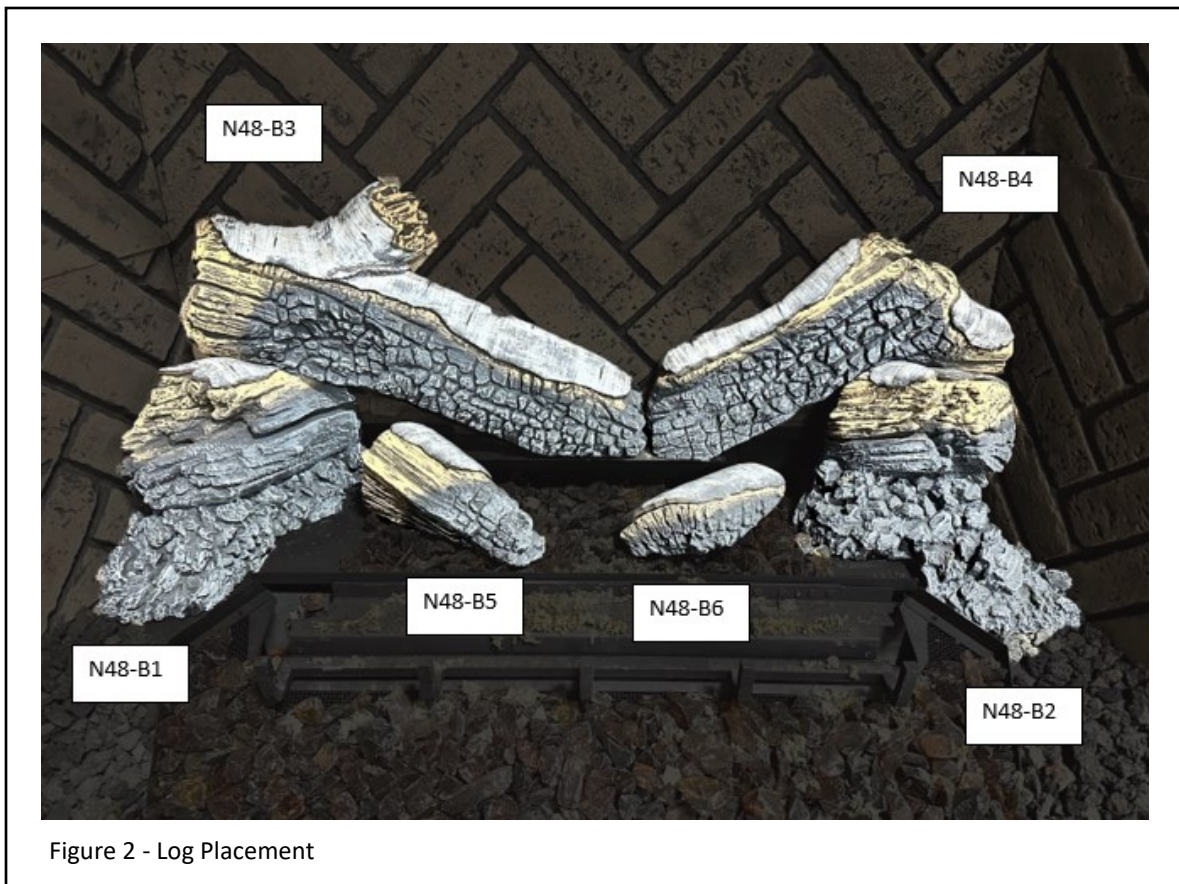
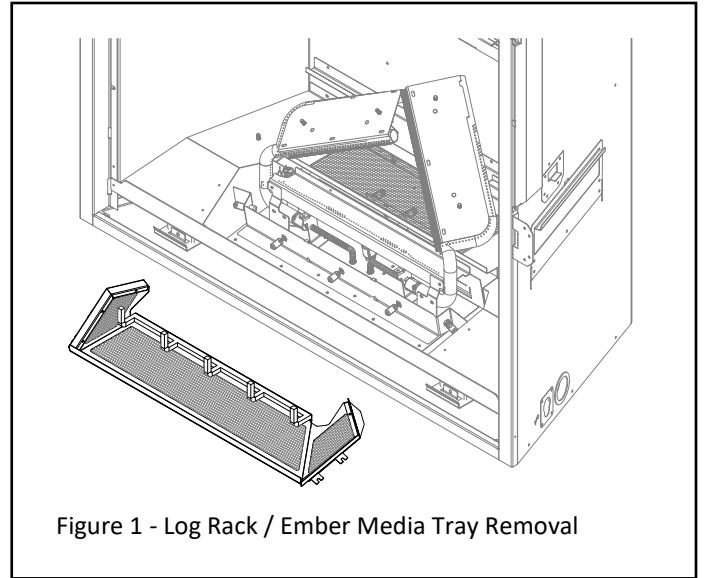
For use with model #NDK-48-DV

**WARNING:** This product can expose you to chemicals including ceramic fiber and/or silica dust which is (are) known to the State of California to cause cancer, birth defects, or other reproductive harm. For more information, visit [www.P65Warnings.ca.gov](http://www.P65Warnings.ca.gov)

**NOTE:** Log numbers are located on the bottom or side of each log. Refer to the following instructions and illustration for proper placement. Your components may look different than the ones shown.

**CAUTION:** Do not place logs directly over burner port holes. Improper log placement may affect flame appearance and may cause excessive soot to build upon the glass.

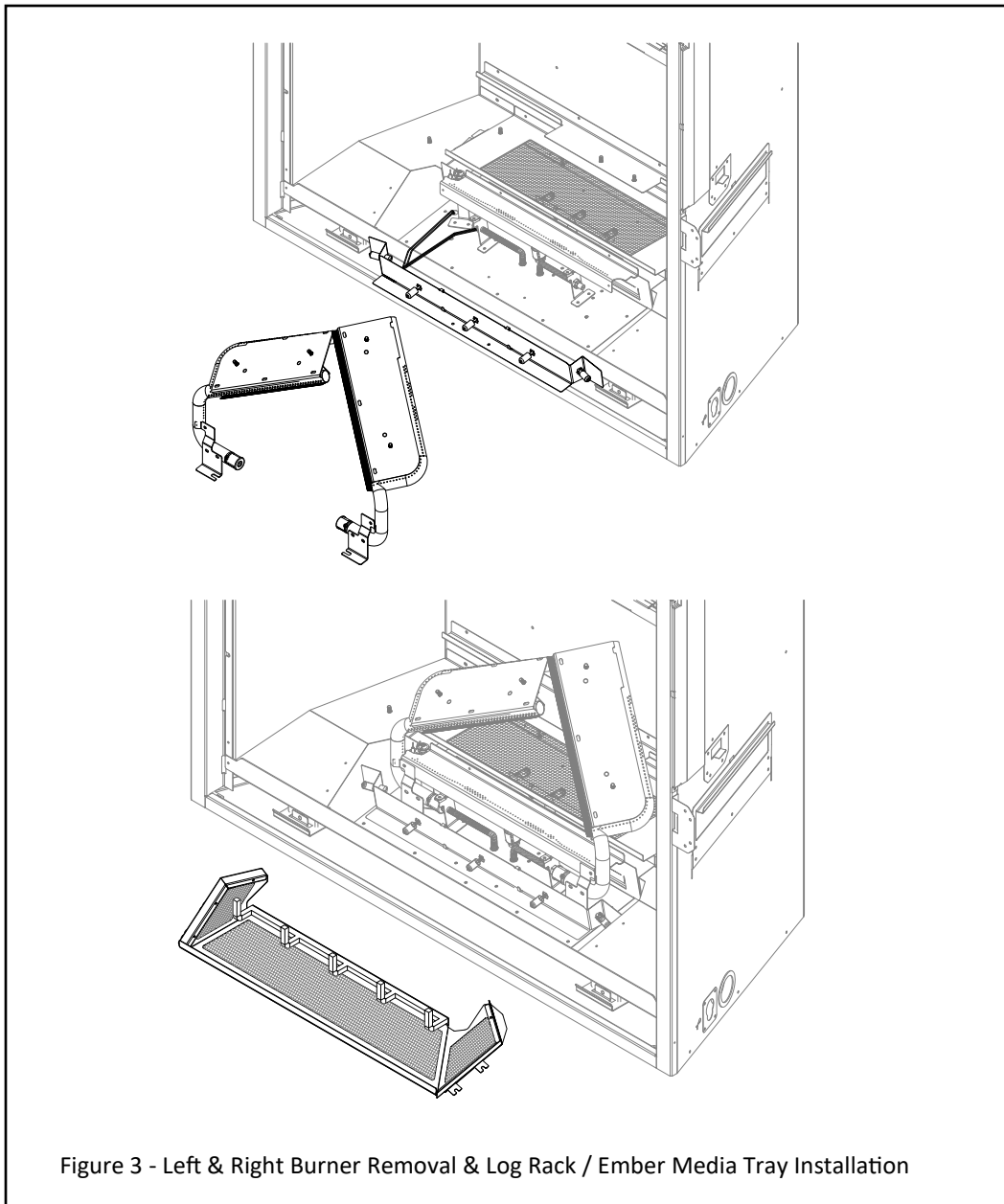
- If converting to propane, complete the conversion before installing the log set. Follow the conversion instructions included with the kit.
  - If installing a panel set, complete installation of panel set before log installation
  - Install all light bulbs into the front ember bed light kit before log installation.
1. Remove valance from fireplace. Remove and retain (4) screws from the log rack/ember media tray. See Figure 1.
  2. Place log #N48-B1 on the far left and log #N48-B2 on the far right. There are corresponding pins on floor that hold these in position (pins not shown). Logs must lie flat on media tray. Failure to do so will negatively affect the flame
  3. Make sure the light bulbs for the rear light kit are installed. Install the crushed media on the rear light kit. Place log #N48-B5 and log #N48-B6 on top of the crushed glass as shown.
  4. Install klinkers on rear burner as shown. Do not cover burner ports.



# #NK48-B501 BIRCH LOG SET

For use with model #NDK-48-DV

5. Install log #N48-B3. Position log #N48-B3 so it sits on top of log #N48-B1 and the metal platform above the air chute opening as shown. Secure the log on the studs.
6. Install log #N48-B4. Position log #N48-B4 so it sits on top of log #N48-B2 and the metal platform above the air chute opening as shown. Secure the log on the studs.
7. Install the left and right burner assemblies. Slide each burner over the burner orifice. Tighten the flange nut on the bracket at the bottom of the burner tube. Secure each burner with (1) sheet metal screw through the tab into the rear burner.
8. Ensure light bulbs are installed in the front light kit. Install the log rack / ember bed media tray. Secure with (4) sheet metal screws. Install the crushed glass on top of the media tray. Install the lava rock on the solid media section to the left and right of the media tray.
9. Install the logs #N48-B7 and #N48-B8 on the left and right burner assemblies via the PEM studs.
10. Install logs #N48-B9 thru #N48-B13.
11. Use a stiff or steel bristle brush to distribute rockwool embers onto the burners and logs. Reinstall valance and safety screen on fireplace.



# #NK48-B501 BIRCH LOG SET

For use with model #NDK-48-DV

