

Adjustable Louver Safety Screen Barriers

WARNING: This product can expose you to chemicals including Ethylbenzene which is (are) known to the State of California to cause cancer, birth defects or other reproductive harm. For more information, visit www.P65Warnings.ca.gov

For use with models BAY-36-G, BAY-36-L, BAY-36-BW, and BAY-36-MV: Safety barriers #B36-FRSF2 and #B36-PSF2

For use with models BAY-41-G, BAY-41-L, BAY-41-BW, and BAY-41-MV: Safety barriers #B41-FRSF2 and #B41-PSF2

For use with model CAR-39: Safety barriers #C39-FRSF and #C39-PSF

For use with model CAR-46: Safety barriers #C46-FRSF and #C46-PSF

For use with model NDK-36-DV: Safety barriers #B36-FRSF2, #B36-PSF2, NK36-PSVF, and NK36-RSVF

For use with model NDK-41-DV: Safety barriers #B41-FRSF2, #B41-PSF2, NK41-PSVF, and NK41-RSVF

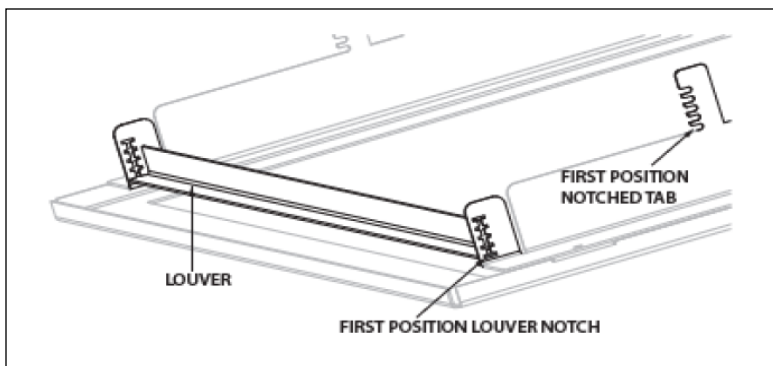
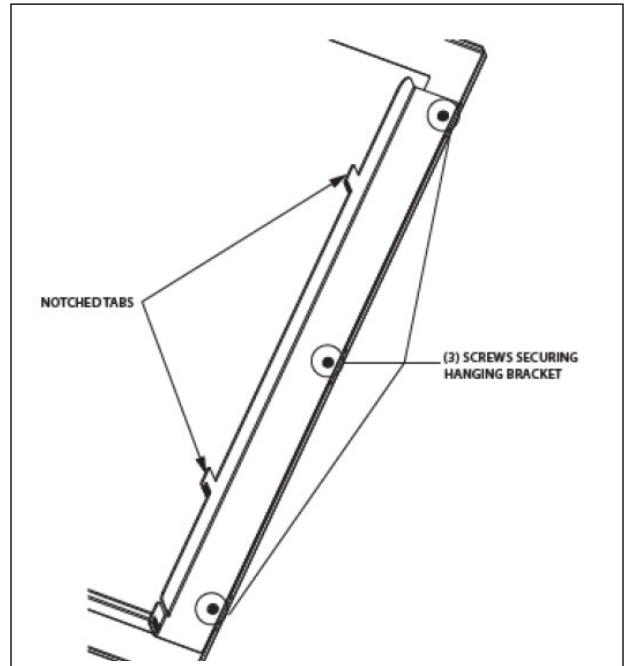
For use with model NDK-48-DV: Safety barriers #NK48-FRSF, #NK48-PSF, NK48-PSVF, and NK48-RSVF

IMPORTANT - Nordik 36 and 41 only - See Nordik Series Section for additional required steps before installing safety barrier

The listed safety barriers are now equipped with the louver built into the safety screen face. The hanging brackets located on the back of screen front are equipped with notches to allow the louver to be adjusted to accommodate facing material thickness. The safety barrier is shipped with the louver in the first notch position.

To adjust louver position:

1. Locate the (3) screws on each hanging bracket at the back of the screen front.
2. Loosen (6) screws on both hanging brackets. This will allow you to bend the bracket outward to adjust the louver to the desired position. Note: The position of the louver should match with the desired position of the notched tabs needed for your installation. The louver in the first notch position will match with the first notch position in the notched tabs, the louver in the second notch position will match the second notch in the notched tabs, etc.
3. Adjust the louver to the desired notch in order to accommodate facing material and to cover the control compartment as you see fit. Re-tighten screws on hanging brackets.
4. Install safety barrier. Center the screen front over the glass frame assembly, allowing the hanging brackets to fit inside the openings.
5. Align the notched tabs with the slots in the fireplace. Raise slightly and push back to desired position.
6. Lower the screen front until the notched tabs are firmly in position. Verify the depth of accommodates the finish material, and the notched tabs position matches the louver notch position.
7. To remove safety screen; lift the screen up and out of the slots.



IMPORTANT - Nordik Series Information

For use with model NDK-36-DV: Safety barriers #B36-FRSF2, #B36-PSF2

For use with model NDK-41-DV: Safety barriers #B41-FRSF2, #B41-PSF2

Nordik 36 DV: On the #B36-FRSF2 and #B36-PSF2 safety barriers it is required that you remove the rope on the backside of the safety barrier before installing the safety barrier. See the drawing below.

Nordik 41 DV: On the #B41-FRSF2 and #B41-PSF2 safety barriers it is required that you remove the rope on the backside of the safety barrier before installing the safety barrier. See the drawing below.

