

OSSEO eSERIES ELECTRIC FIREPLACES

e50 LINEAR | e64 LINEAR | e80 LINEAR



Panoramic Bay application Osseo e50 with orange flame, blue top light kit, white bottom light kit

QUALITY FIREPLACES FOR LIFE.

KOZY  **HEAT**
FIREPLACES



Front Facing Osseo e50 with orange flame, purple top light, white bottom light kit with birch logs

OSSEO eSERIES

Osseo Linear Optional Mantels



Gray & White Options

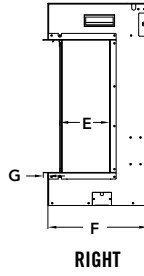
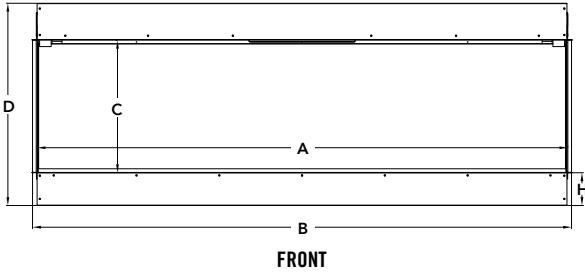
Osseo e50 & e64 Only

OSSEO eSERIES

Front Facing, Corner (Right or Left), and Panoramic Bay

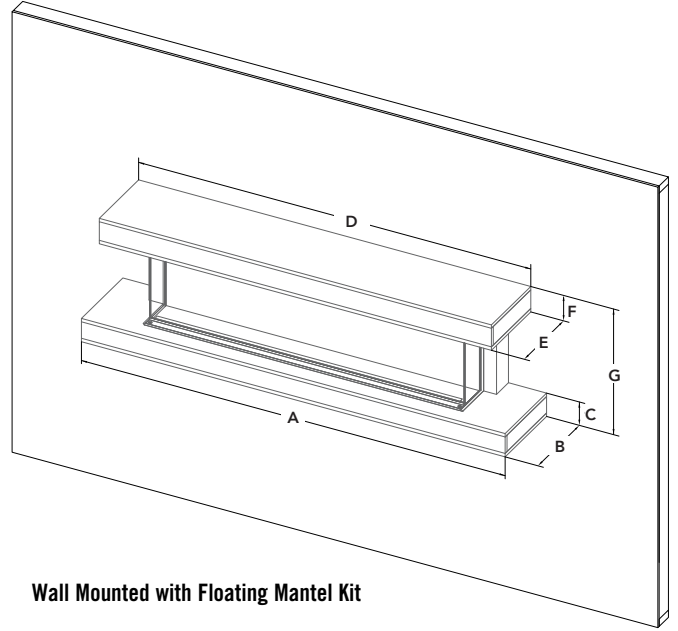
PRODUCT DIMENSIONS

Model	A	B	C	D	E	F	G	H
OSO-e50	49-1/4"	50-1/2"	15-7/8"	24"	5-5/8"	11-7/8"	1/2"	3-7/8"
OSO-e64	63"	64-1/4"	15-7/8"	24"	5-5/8"	11-7/8"	1/2"	3-7/8"
OSO-e80	78-3/4"	80"	15-7/8"	24"	5-5/8"	11-7/8"	1/2"	3-7/8"



WALL MOUNTED MANTEL KIT DIMENSIONS

Model	A	B	C	D	E	F	G
OS-e50	70-7/8"	15-3/4"	4-7/8"	64-1/2"	14-7/8"	5-1/4"	25-7/8"
OS-e64	84-1/2"	15-3/4"	4-7/8"	78-1/2"	14-7/8"	5-1/4"	25-7/8"



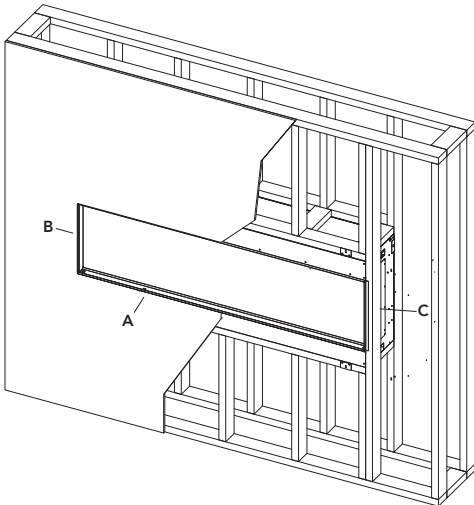
Wall Mounted with Floating Mantel Kit

FRAMED OPENING DIMENSIONS

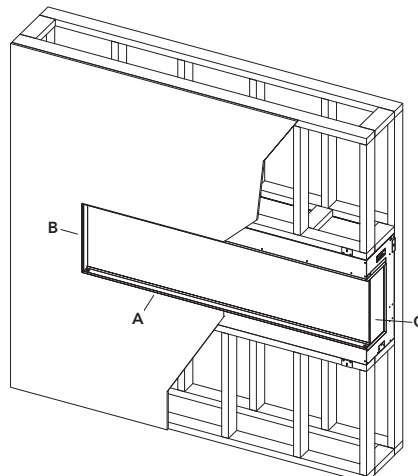
Model	A	B	C
OSO-e50	49-3/4"	24-1/2"	12-1/4"
OSO-e64	63-1/2"	24-1/2"	12-1/4"
OSO-e80	79-1/4"	24-1/2"	12-1/4"

3 SIDED FRAMED OPENING DIMENSIONS

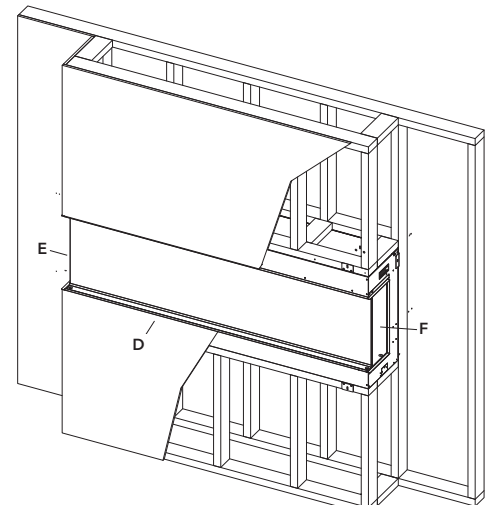
Model	D	E	F
OSO-e50	49-3/4"	24-1/2"	12-1/4"
OSO-e64	63-1/2"	24-1/2"	12-1/4"
OSO-e80	79-1/4"	24-1/2"	12-1/4"



Single Sided



Corner Application



Panoramic Bay

OSSEO eSERIES

Specifications

Model	Osseo e50	Osseo e64	Osseo e80
Weight	133 lbs.	156 lbs.	212 lbs.
Viewing Area	15-7/8" x 49-1/4"	15-7/8" x 63"	15-7/8" x 78-3/4"
Heater	750W / 1500W @ 120V 5,000 BTUs		
Electrical	Plug in or hardwired 120V with Energy Saving LED light kits		
Light Kits	Downlighting & Ember Bed Light Kit		
Included Media	Smoked Glass Crystals		
Optional Log Sets	12 pc. Traditional or Birch Log Sets		
Multi-Function Remote Control	Thermostat Control, Timer (30 Min. – 8 HR)		
Multi-Design Options	Front facing, Corner (Right or Left) and Panoramic Bay		
Optional Fronts	1 pc. Rectangle Surround, 4 pc. Exterior Trim Kit		
Liner	Reflective Glass Firebox Liner		
Crackling Log Effect	Hi / Med / Lo		

Features, Options & Specifications are subject to change.

Refer to the install manuals for complete installation requirements.

Flame Options

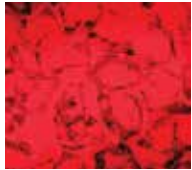
Ultra-realistic Flame Pattern: Amber, Orange, or Combination (5 Levels of Intensity)



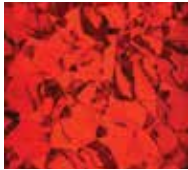
Lighting Options

Downlight Accent Lighting: 7 Colors (5 Levels of Intensity) Glowing Ember Bed: 13 Colors (5 Levels of Intensity)

Variations in the color and tone are common in the printing process, therefore actual colors may vary slightly from those shown.



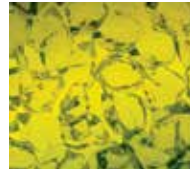
Red
Ember Bed Light Kit
and Downlighting Kit



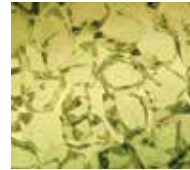
Ember
Ember Bed Light Kit



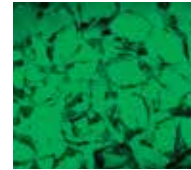
Orange
Ember Bed Light Kit
and Downlighting Kit



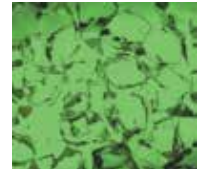
Yellow
Ember Bed Light Kit
and Downlighting Kit



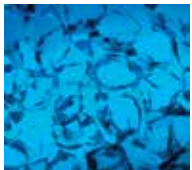
Light Yellow
Ember Bed Light Kit
and Downlighting Kit



Green
Ember Bed Light Kit



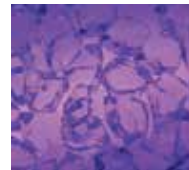
Light Green
Ember Bed Light Kit



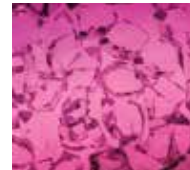
Sea Breeze
Ember Bed Light Kit



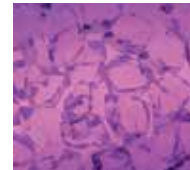
Blue
Ember Bed Light Kit
and Downlighting Kit



Purple
Ember Bed Light Kit
and Downlighting Kit



Pink
Ember Bed Light Kit



Magenta
Ember Bed Light Kit



White
Ember Bed Light Kit

Clearances

Model	Osseo e 50/64/80
Bottom of Appliance	0"
Left and Right Sides of Appliance	0"
Back of Appliance	0"
Top Finishing Edge to 12" Mantel	0"
Bottom Finishing Edge to Unlimited Hearth	0"
Combustible material in front of glass viewing area	36"

Burn Videos



Osseo E 50
Birch



Osseo E 50
Traditional

In order to continually provide the highest quality product available, features/options, specifications & dimensions are subject to change. Refer to the unit installation manual for complete installation instructions. Installation must conform with local building codes. In some regions it may be possible that this appliance qualifies for an energy rebate. See your local dealer for details regarding promotions and qualifications.

Hussong Mfg. Co., Inc.
204 Industrial Park Road, Lakefield, MN 56150
Phone 1-800-253-4904 www.kozyheat.com 11-23



Product Line:



For complete information on the Kozy Heat product line, please contact us at:

FOR CALIFORNIA RESIDENTS ONLY
⚠ California Proposition 65 Warning

WARNING: Cancer and Reproductive Harm - www.P65Warnings.ca.gov.