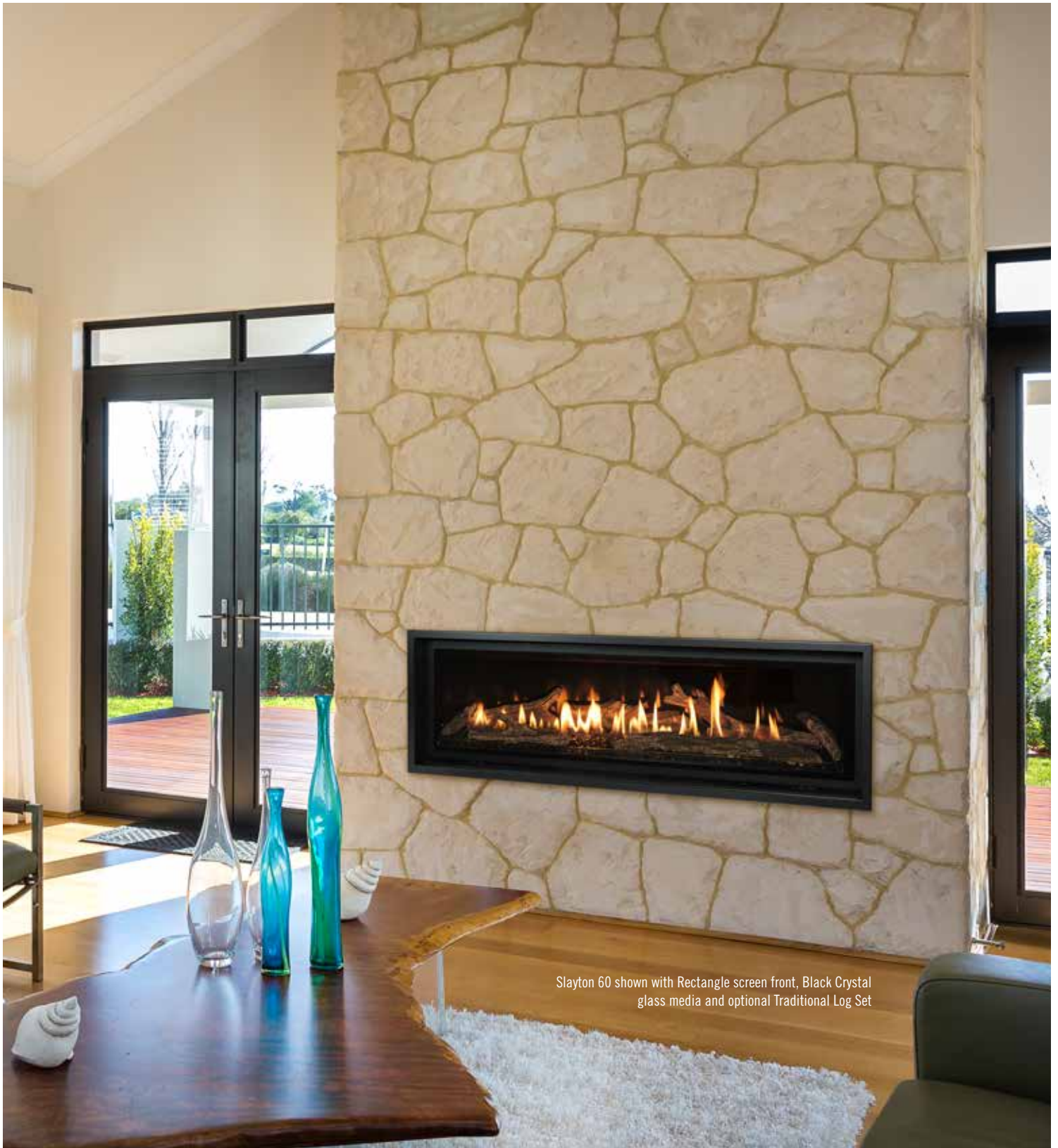


# SLAYTON 60, SLAYTON 42S & SLAYTON 36

DIRECT VENT LINEAR GAS FIREPLACES



Slayton 60 shown with Rectangle screen front, Black Crystal glass media and optional Traditional Log Set

QUALITY FIREPLACES FOR LIFE.

**KOZY**  **HEAT**  
FIREPLACES



Slayton 60 shown with Beveled screen front and Rock with Reflective Copper crushed glass

# SLAYTON SERIES

## Screen Fronts

Sizes shown below: Slayton 60 / Slayton 42S / Slayton 36

63-1/4" / 47-1/4" / 40-15/16"



19-13/16" /  
21-3/8" /  
19-13/16"

Rectangle screen front and Amber Crystal glass

63-1/4" / 47-1/4" / 40-15/16"



19-13/16" /  
21-3/8" /  
19-13/16"

Rectangle screen front with Brushed Nickel, Glacier Crystal glass and optional Driftwood Log Set

63-1/4" / 47-1/4" / 40-15/16"



19-13/16" /  
21-3/8" /  
19-13/16"

Rectangle screen front with Antique Copper, Glacier Crystal glass and optional Traditional Log Set

68-1/16" / 52-1/8" / 45-3/4"



24-11/16" /  
26-1/4" /  
24-3/8"

Beveled screen front with Amber Crystal glass





Slayton 36 shown with Rectangle screen front and Amber Crystal glass

# SLAYTON SERIES

## Optional Accent Media



Traditional Log Set



Driftwood Log Set



Rock

## Glass Media

### Crushed Glass



Reflective Midnight



Reflective Copper

### Crystals



Glacier



Amber



Black



Seabreeze

# SLAYTON SERIES






## Specifications

### Remote Control



The Komfort Kontrol remote gives you the ability to bring comfort and green technology all together into your home. With the Komfort Kontrol remote, all you have to do is decide a comfortable set point temperature on your remote and when the room temperature gets closer to the point you desire, the Komfort Kontrol remote will turn the flames down accordingly! And with our zone heating, you can save energy and enjoy time in the room you use the most by just turning down the central heat, setting your Komfort Kontrol remote, and enjoy your time around the fireplace with friends, family, or just a good book! That way you'll get to have heat where and when you need it while saving energy and money with just a click of the Komfort Kontrol remote!

#### Remote control features:

-  Thermostat function
-  Flame height modulation
-  Fan speed modulation
-  Light kit modulation
-  IPI to continuous pilot

### Burn Videos



Slayton 60



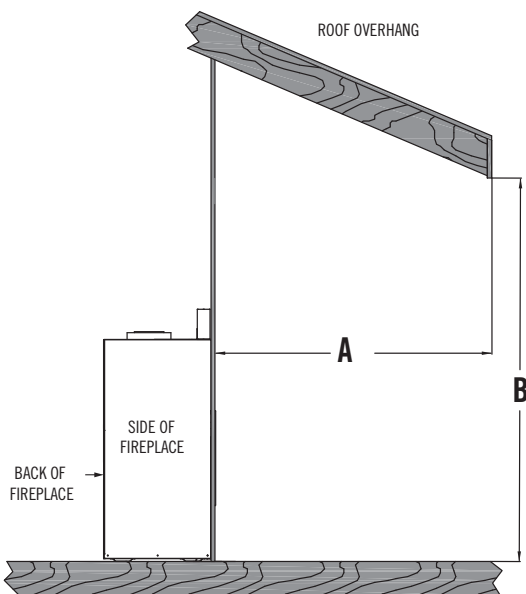
Slayton 42S



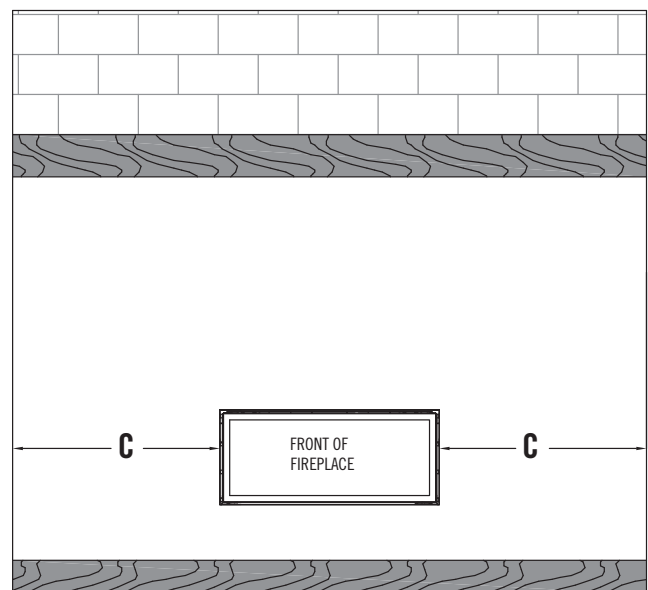
Slayton 36

### Outdoor Covered Fireplace Install

- Fireplace operation is approved from 40 degrees F to 110 degrees F
- All wiring connections shall be in accordance with outdoor requirements of NECA NFPA 70
- All clearances and requirements in your appliance manual must be adhered to



The overhang (A) must be a minimum of 1/2 or greater of the roofline elevation (B) above the base of the fireplace.



The width of the overhang to each side of the appliance (C) must be a minimum of 1/2 or greater of the roofline elevation (B) above the base of the fireplace.

**EXAMPLE:** If roofline (B) is 10 ft. above the base of the fireplace, the overhang (A) must be 5 ft. or greater. The width of the overhang to EACH side of the fireplace (C) must be 5 ft. or greater.

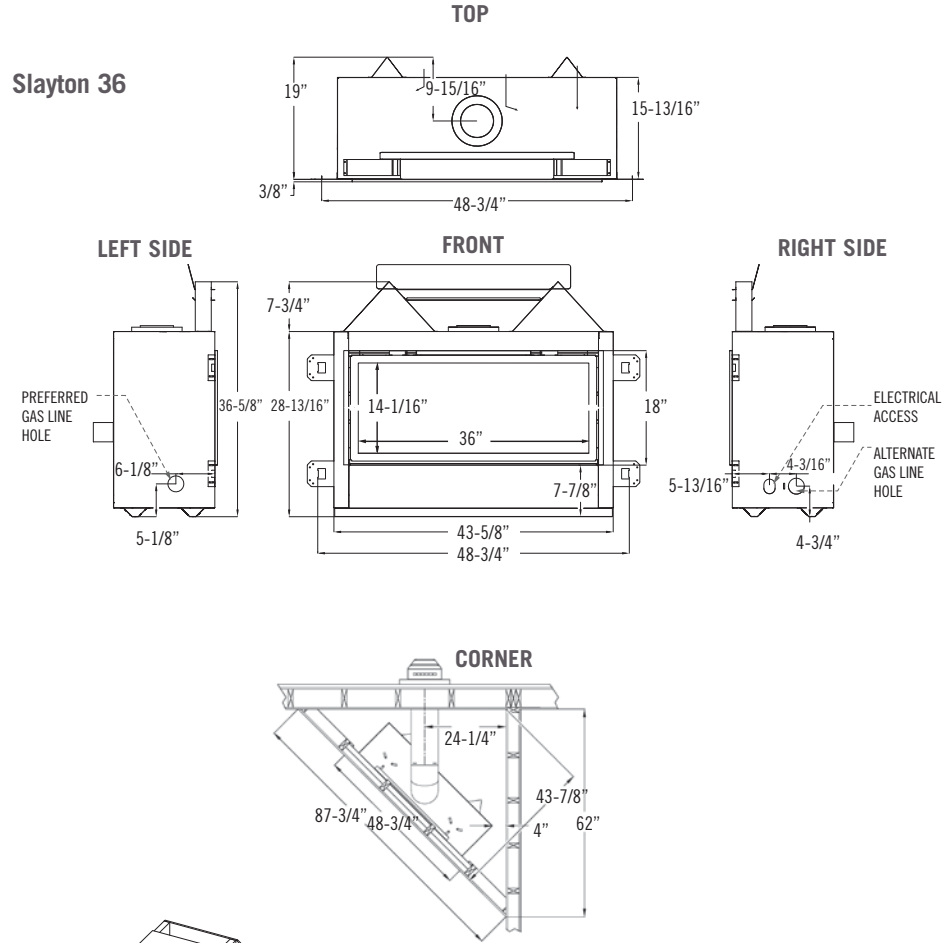
# SLAYTON 36

## Specifications, Clearances, and Vent System Requirements

Model	Slayton 36
Height	28-13/16"
Width	43-5/8"
Back Width	43-5/8"
Depth	15-13/16"
Weight	200 lbs.
Viewing Area	14-1/16" x 36"
NG High / Low	33,000 / 17,000
LP High / Low	33,000 / 17,000
ENERGUIDE P.4 NG / LP	66.05% / 68.05%
Steady State NG / LP	71.21% / 73.05%
AFUE % NG / LP	65.74% / 66.84%
Valve System	IPI
Standard Refractory	Enamel (curved)
Glass Media	Required
Accent Media	Optional
Fan Kit	Optional
Finishing Trim Kit	Standard
Screen Front	Required

Features, Options & Specifications are subject to change.

Slayton 36



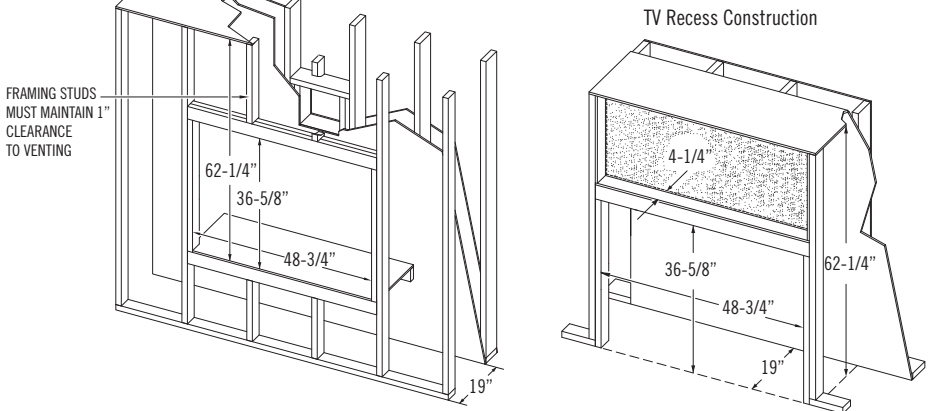
### Clearances

Model	Slayton 36
From Appliance Corners	4"
From unit left & right side stand-offs & back	0"
Top of finishing edge to ceiling	36"
Side of finishing edge to adjacent sidewall	6"
Unit front to combustibles	36"
Mantel projection from fireplace finishing edge*	14-1/4" *1" deep projection

Refer to the installation manuals for complete installation & venting requirements. See additional mantel clearance configurations in the installation manual.

### Each unit factory tested

Certified to ANSI Z21.88 Vented Gas Heaters



19" (483mm)\* is the minimum wall depth required for wall surface material to cover fireplace front. If fireplace face is to be flush with the wall surface, subtract 1/2" (13mm) (typical non-combustible finish material) from this dimension. If other material is to be used, adjust accordingly.

### Vent System & Requirements

**This fireplace is manufactured to accept 5"x 8" rigid and flexible pipe.**

- Simpson Dura-Vent™ DV-PRO pipe - 5"x 8"
- Selkirk Metalbestos™ direct chimney system - 5"x 8"
- Ameri-Vent/American Metal™ direct chimney system - 5"x 8"
- Olympia Chimney Supply
- Metal Fab™ 5"x 8"
- ICC™ 5"x 8"
- Kozy Heat™ flexible #800 series vent kits - 5"x 8"
- BDM™ direct vent chimney system - 5"x 8"

**IMPORTANT:** The horizontal heat shield included with this fireplace must be installed when incorporating minimum horizontal venting.

**Elbows:** For each additional 90° elbow used after the first elbow, 3' must be subtracted from the maximum venting allowed. For each additional 45° elbow used after the first elbow, 1½' must be subtracted from the maximum venting allowed.

*Note: (2) 45° elbows = (1) 90° elbow.*

Maximum number of elbows for ALL vent configurations = 5

**Horizontal Terminations:** Venting configurations vary between NG & LP Gas, please consult the installation manual for requirements.

**Vertical Terminations: Minimum: 2' Maximum: 50'**

**Horizontal/Vertical Combo:** Venting configurations vary between NG & LP Gas, please consult the installation manual for requirements.

# SLAYTON 42S

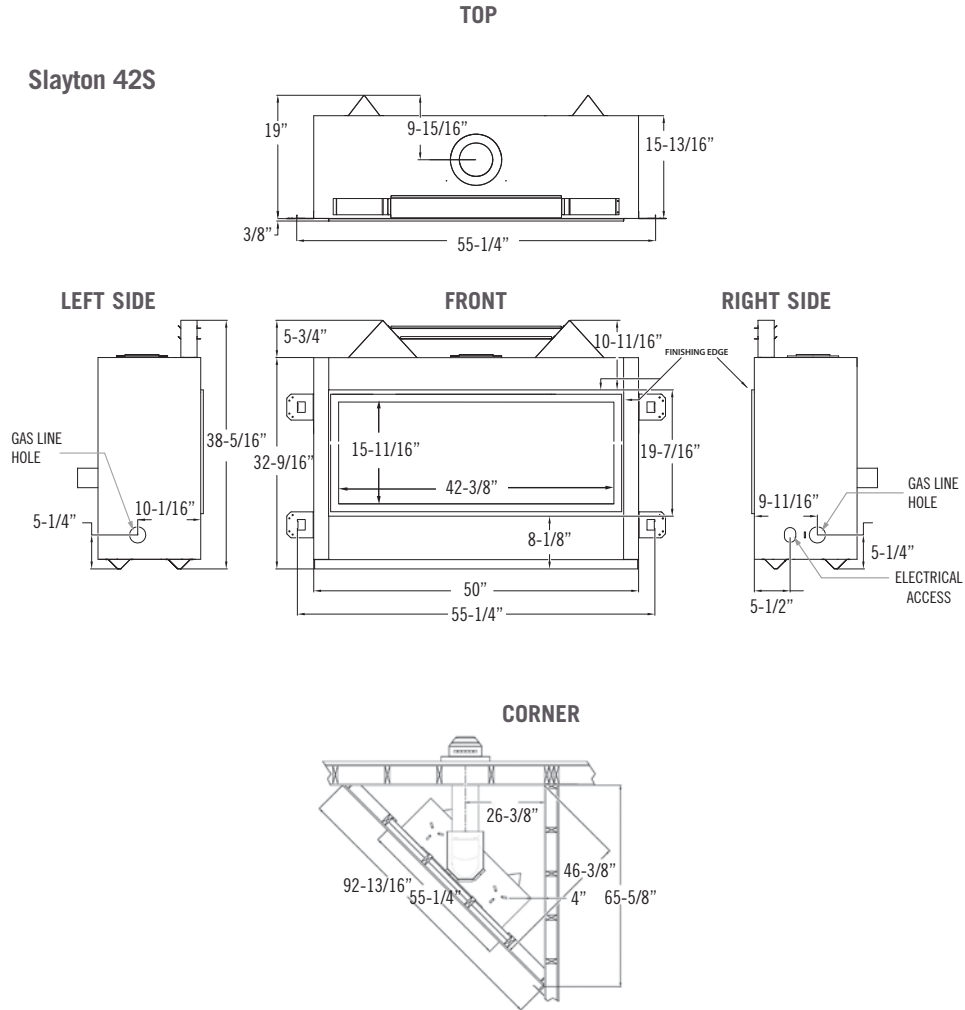
## Specifications and Clearances

(See Vent System Requirements on page 6)

Model	Slayton 42S
Height	32-9/16"
Width	50"
Back Width	50"
Depth	15-13/16"
Weight	220 lbs.
Viewing Area	15-11/16" x 42-3/8"
NG High / Low	42,000 / 15,000
LP High / Low	42,000 / 15,000
ENERGUIDE P.4 NG / LP	72.21% / 75.53%
Steady State NG / LP	72.98% / 75.45%
AFUE % NG / LP	68.05% / 70.39%
Valve System	IPI
Standard Refractory	Enamel (curved)
Glass Media	Required
Accent Media	Optional
Fan Kit	Optional
Finishing Trim Kit	Standard
Screen Front	Required

Features, Options & Specifications are subject to change.

### Slayton 42S



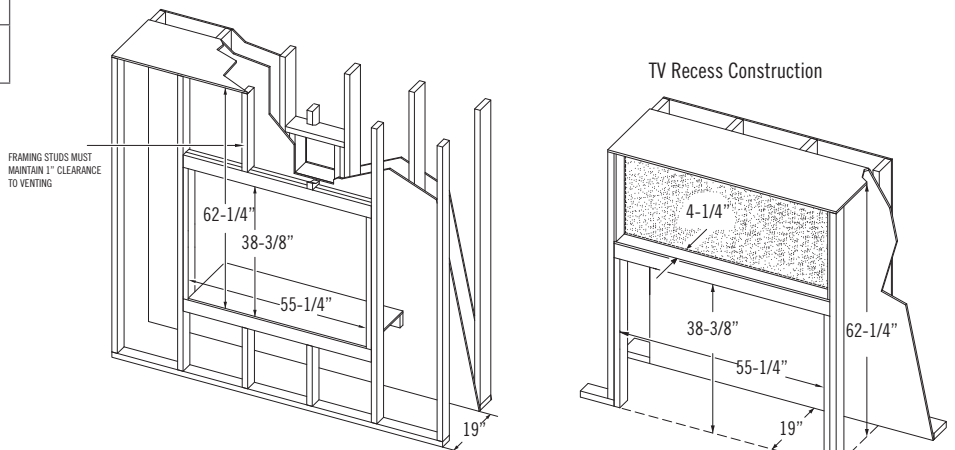
### Clearances

Model	Slayton 42S
From Appliance Corners	4"
From unit left & right side stand-offs & back	0"
Top of finishing edge to ceiling	36"
Side of finishing edge to adjacent sidewall	6"
Unit front to combustibles	36"
Mantel projection from fireplace finishing edge*	14-1/4" *9" deep projection

Refer to the installation manuals for complete installation & venting requirements. See additional mantel clearance configurations in the installation manual.

### Each unit factory tested

Certified to ANSI Z21.88 Vented Gas Heaters



19" (483mm)\* is the minimum wall depth required for wall surface material to cover fireplace front. If fireplace face is to be flush with the wall surface, subtract 1/2" (13mm) (typical non-combustible finish material) from this dimension. If other material is to be used, adjust accordingly.

# SLAYTON 60

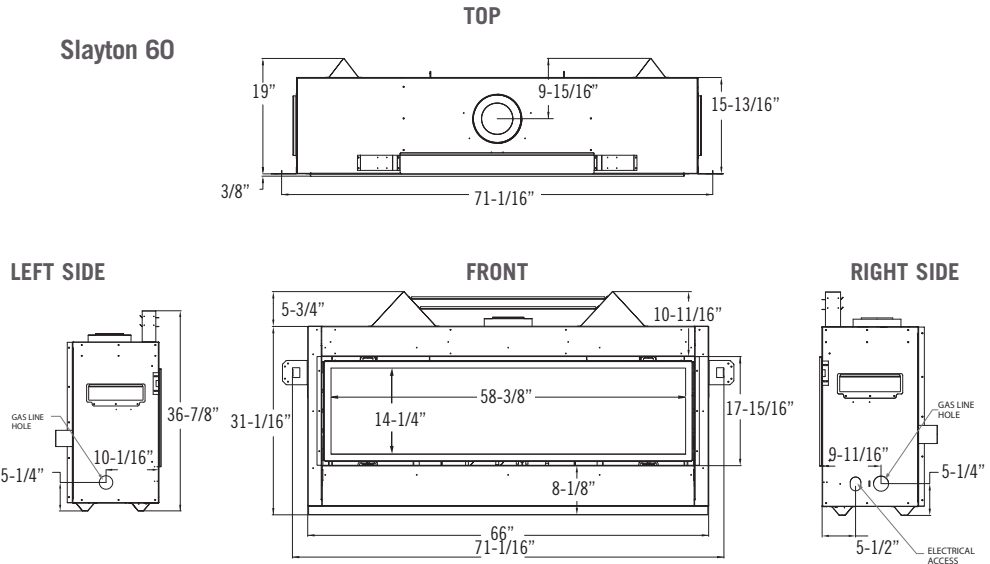
## Specifications, Clearances

(See Vent System Requirements on page 6)

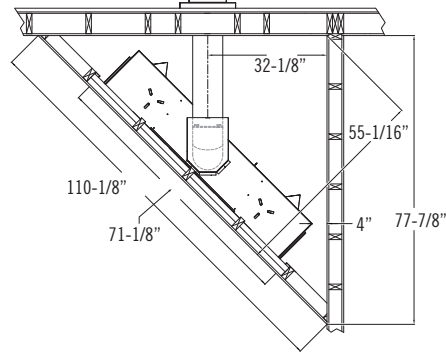
Model	Slayton 60
Height	31-1/16"
Width	66"
Back Width	66"
Depth	15-13/16"
Weight	300 lbs.
Viewing Area	14-1/4" x 58-3/8"
NG High / Low	55,000 / 17,500
LP High / Low	55,000 / 17,500
ENERGUIDE P.4 NG / LP	73.31% / 75.28%
Steady State NG / LP	68.6% / 70.5%
AFUE % NG / LP	66.44% / 68.27%
Valve System	IPI
Standard Refractory	Enamel (curved)
Glass Media	Required
Accent Media	Optional
Fan Kit	Optional
Finishing Trim Kit	Standard
Screen Front	Required

Features, Options & Specifications are subject to change.

Slayton 60



CORNER



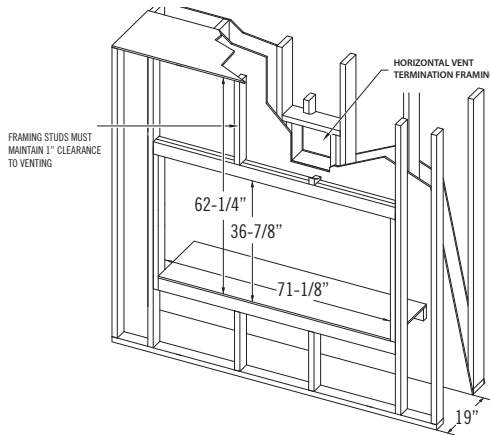
## Clearances

Model	Slayton 60
From Appliance Corners	4"
From unit left & right side stand-offs & back	0"
Top of finishing edge to ceiling	36"
Side of finishing edge to adjacent sidewall	6"
Unit front to combustibles	36"
Mantel projection from fireplace finishing edge*	14-1/4" *9" deep projection

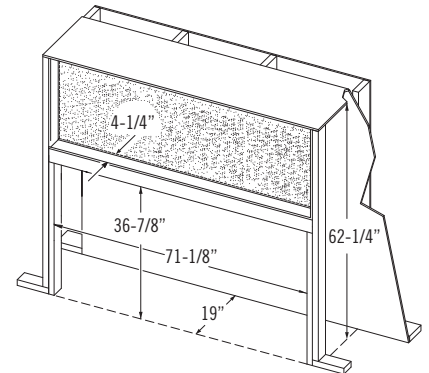
Refer to the installation manuals for complete installation & venting requirements. See additional mantel clearance configurations in the installation manual.

### Each unit factory tested

Certified to ANSI Z21.88 Vented Gas Heaters



TV Recess Construction



19" (483mm)\* is the minimum wall depth required for wall surface material to cover fireplace front. If fireplace face is to be flush with the wall surface, subtract 1/2" (13mm) (typical non-combustible finish material) from this dimension. If other material is to be used, adjust accordingly.

Fireplace brochures are for advertising purposes only. Refer to the specific fireplace manual for installation.

In order to continually provide the highest quality product available, features/options, specifications, & dimensions are subject to change. Flame appearance and characteristics may be affected by altitude, fuel type, venting configuration, and other factors. Refer to the unit installation manual for complete installation instructions. Installation must conform with local building codes. **In some regions it may be possible that this appliance qualifies for an energy rebate. See your local dealer for details regarding promotions and qualifications.**

Manufactured by Hussong Mfg. Co., Inc.  
 204 Industrial Park Road, Lakefield, MN 56150  
 Phone 1-800-253-4904 www.kozyheat.com

4-22



Product Line:



For complete information on the Kozy Heat product line, please contact us at:

FOR CALIFORNIA RESIDENTS ONLY

⚠ California Proposition 65 Warning

**WARNING:** This product can expose you to chemicals including Carbon Monoxide, that is an externally vented by-product of fuel combustion, which is (are) known to the State of California to cause birth defects or other reproductive harm. For more information, visit [www.P65Warnings.ca.gov](http://www.P65Warnings.ca.gov).