

CALLAWAY 72, CALLAWAY 50 & CALLAWAY 40

DIRECT VENT GAS FIREPLACES



Callaway 72 shown with a Komfort Zone Kit, 4-piece surround, Birch Log set, Black Glass panels, Reflective Midnight Crushed Glass burner media, and Black Sand perimeter.

QUALITY FIREPLACES FOR LIFE.

KOZY  **HEAT**
FIREPLACES

Callaway 50 shown with a Forged decorative surround in Vintage Bronze, Beach Accent Kit, Ledgestone refractory, Lava Rock burner media, and a Vermiculite perimeter



CALLAWAY SERIES

Decorative Surrounds

Sizes shown below: Callaway 72 / Callaway 50 / Callaway 40

74-3/8" / 52-3/8" / 42-3/8"

17-1/8" /
15-1/2" /
15-1/2"



No Surround
Screen Only

76-5/8" / 54-5/8" / 44-5/8"

19-5/8" /
18" /
18"



Rectangle Surround (1 Piece)
Available in Black

80-1/4" / 58-1/4" / 48-1/4"

23-3/8" /
21-13/16" /
21-3/4"



Rectangle Surround (4 Piece)
Black

80-1/4" / 58-1/4" / 48-1/4"

23-3/8" /
21-13/16" /
21-3/4"



Rectangle Surround (4 Piece)
Stainless Steel



The Callaway 40 shown with a Rectangle Surround (4 Piece) in Black, Birch Log Set, a Chicago Brick refractory, Amber Crushed Glass burner media, and Lava perimeter

81-3/16" / 59-3/16" / 49-3/16"

24-1/2" /
22-9/16" /
22-7/8"



Forged Surround
Vintage Bronze

87" / 65" / 55"

22-7/8" /
21-1/4" /
21-1/4"



Gallery Surround
Black

Callaway 72 shown with a Vented Cavity, 4-Piece Stainless Steel Surround, Traditional Log Set, a Chicago Brick refractory, Reflective Copper Crushed Glass burner media, and Lava Rock perimeter



CALLAWAY SERIES

Media & Refractory Options



Rock Accent Media Kit with Black Glass panels, Reflective Midnight Crushed Glass burner media, and a Black Sand perimeter



Beach Accent Kit with Legestone refractory, Lava Rock media, and a Vermiculite perimeter



Traditional Log Set with Chicago Brick refractory, Reflective Copper Crushed Glass burner media, and a Lava Rock perimeter



Traditional Log set with Black Reflective Glass panels, Reflective Midnight Crushed Glass burner media, and Black Glass perimeter



Birch Log Set with a Black Reflective Glass panels, Reflective Midnight Crushed Glass burner media, and Black Sand perimeter



Callaway 50 shown with a Gallery decorative surround, Rock Accent Media Kit with Black Glass panels, Reflective Midnight Crushed Glass burner media and a Black Sand perimeter

Burner & Optional Perimeter Media



Reflective Midnight
Crushed Glass
Burner & Perimeter Media



Reflective Copper
Crushed Glass
Burner & Perimeter Media



Lava Rock
Burner & Perimeter Media



Vermiculite
Perimeter Media



Black Sand
Perimeter Media



Black Glass Panel
Perimeter Media

Burn Videos



Callaway 72
Rock Accent Kit



Callaway 50
Rock Accent Kit



Callaway 40
Birch Log



Callaway 72
Birch Log



Callaway 50
Traditional Log Kit



Callaway 72
Beach Accent Kit



Callaway 50
Beach Accent Kit

CALLAWAY SERIES

Specifications

Clearances | Without Komfort Zone Kit

Model	Callaway 40	Callaway 50	Callaway 72
From appliance top stand-off brackets	0"	3-1/2"	0"
From appliance left & right stand-off brackets	0"	0"	0"
From appliance back stand-off brackets	0"	0"	0"
From appliance corners	3"	3"	1"
From appliance front	36"	36"	36"
Appliance side to adjacent sidewall (No Surround)	0"	3"	6"
Fireplace finishing edge to 3/4" trim	20-3/8"	18"	16-1/2"
Mantle 6" deep from fireplace finishing edge	23-7/8"	21-1/2"	20"
Mantle 6" deep from fireplace enclosure floor	50-1/2"	48"	48-1/4"
Minimum height of fireplace enclosure	60"	48"	79-1/4"

Clearances | With Komfort Zone Kit & Vented Cavity

Model	Callaway 40	Callaway 50	Callaway 72
Fireplace finishing edge to 3/4" trim	0"	0"	0"
Mantel 6" deep from fireplace finishing edge	0"	0"	0"
Mantel 6" deep from fireplace enclosure floor	26-5/8"	26-1/2"	28-1/8"

Heat Management Options

Model	Callaway 40	Callaway 50	Callaway 72
Komfort Zone Kit	Optional	Optional	Optional
Powervent	Optional	Optional	Optional
Vented Cavity	Optional	Optional	Optional
Heat Transfer Kits	Optional	Optional	Optional

Model	Callaway 40	Callaway 50	Callaway 72
Height	39-1/4"	39"	40-3/4"
Width	49-1/2"	59-1/2"	81-1/2"
Depth	22"	22"	22"
Weight	280 lbs	293 lbs	410 lbs
Viewing Area	40" x 13"	49-7/8" x 13-3/8"	72-7/8" x 15-3/4"
BTU NG High / Low	31,500 / 16,500	35,500 / 18,500	49,500 / 25,000
BTU LP High / Low	31,500 / 16,500	35,000 / 18,000	49,000 / 24,500
ENERGUIDE P4	71.32% / 71.44%	73.49% / 72.74%	73.77% / 73.57%
Steady State NG/LP	72.70% / 72.78%	72.59% / 70.49%	75.91% / 75.92%
AFUE%: NG/LP	72.85% / 73.12%	66.50% / 63.97%	74.77% / 74.66%
Valve System	IPI	IPI	IPI
Optional Media Options	Traditional Logs, Beach Accent Kit, Rock Accent Kit, Birch Logs	Traditional Logs, Beach Accent Kit, Rock Accent Kit, Birch Logs	Traditional Logs, Beach Accent Kit, Rock Accent Kit, Birch Logs
Optional Refractory/Panels	Black Glass, Chicago Brick, LedgeStone	Black Glass, Chicago Brick, LedgeStone	Black Glass, Chicago Brick, LedgeStone
Ceramic Glass	Standard	Standard	Standard
Burner Media (Required)	Reflective Crushed Glass, Lava Rock	Reflective Crushed Glass, Lava Rock	Reflective Crushed Glass, Lava Rock
Optional Perimeter Media	Reflective Crushed Glass, Lava Rock, Black Sand, Vermiculite, Black Glass Panel	Reflective Crushed Glass, Lava Rock, Black Sand, Vermiculite, Black Glass Panel	Reflective Crushed Glass, Lava Rock, Black Sand, Vermiculite, Black Glass Panel
Fan Kit	Optional	Optional	Optional
Screen Front	Included	Included	Included
Light Kit	Standard	Standard	Standard
Horizontal Power Vent	Optional	Optional	Optional

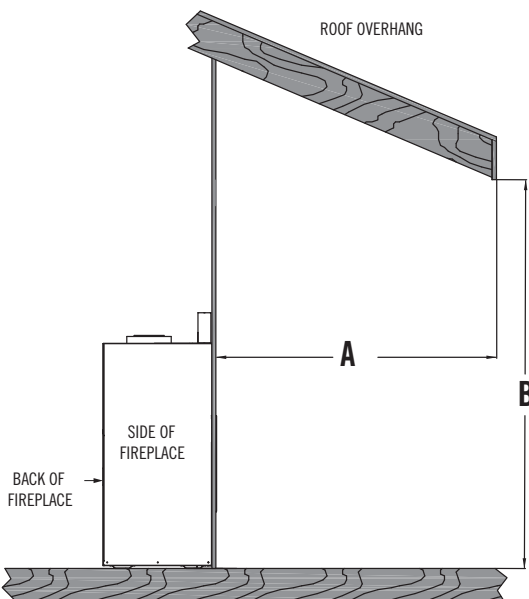
Features, Options & Specifications are subject to change.

Each unit factory tested

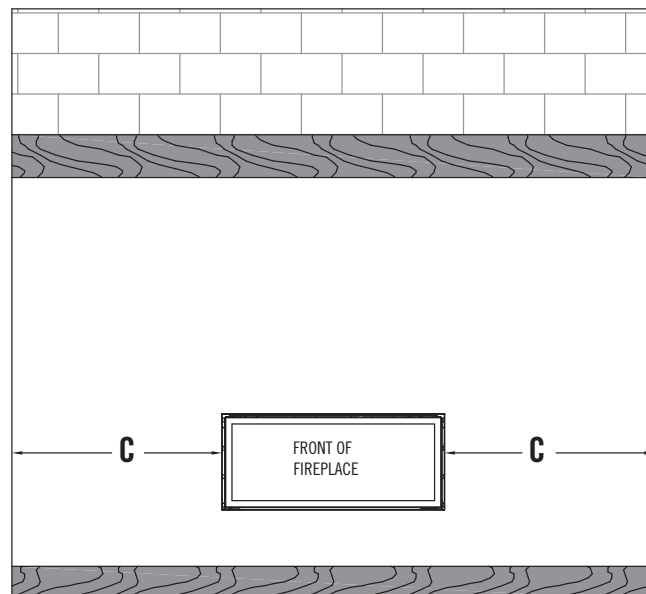
Refer to the installation manuals for complete installation & venting requirements. See additional mantel clearance configurations in the installation manual.

Outdoor Covered Fireplace Install

- Fireplace operation is approved from 40 degrees F to 110 degrees F
- All wiring connections shall be in accordance with outdoor requirements of NECA NFPA 70
- All clearances and requirements in your appliance manual must be adhered to



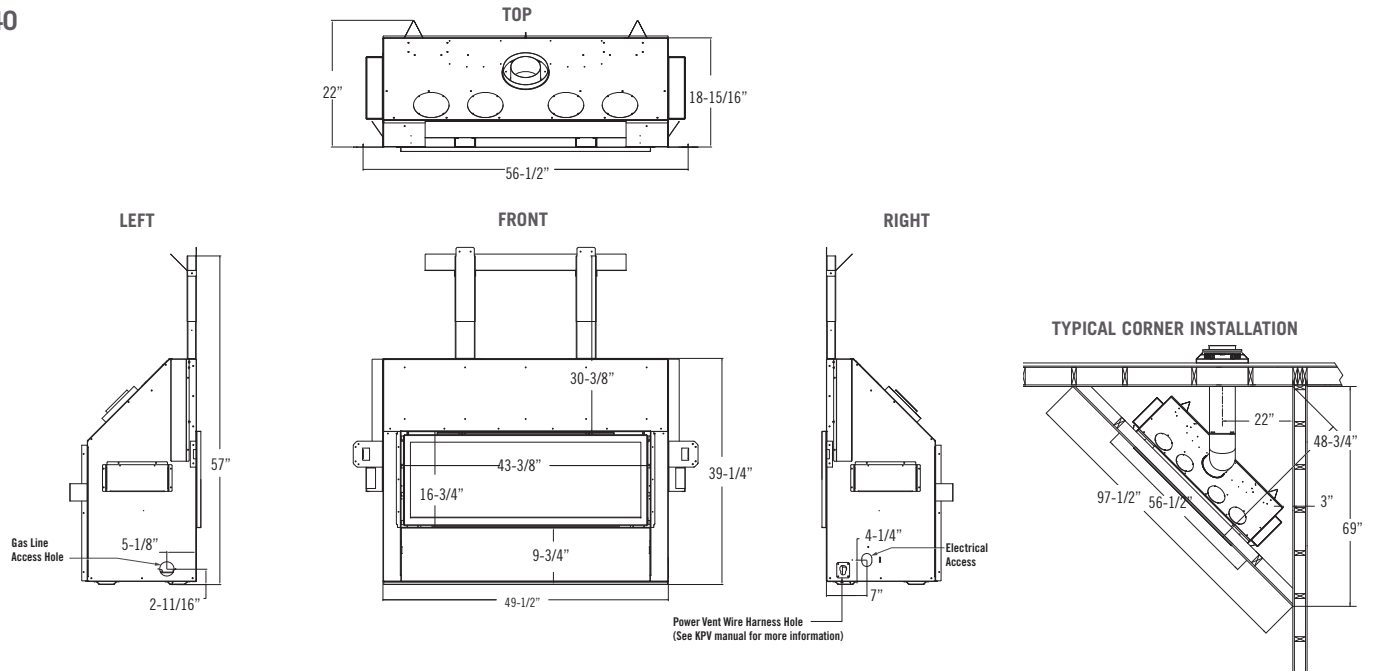
The overhang (A) must be a minimum of 1/2 or greater of the roofline elevation (B) above the base of the fireplace.



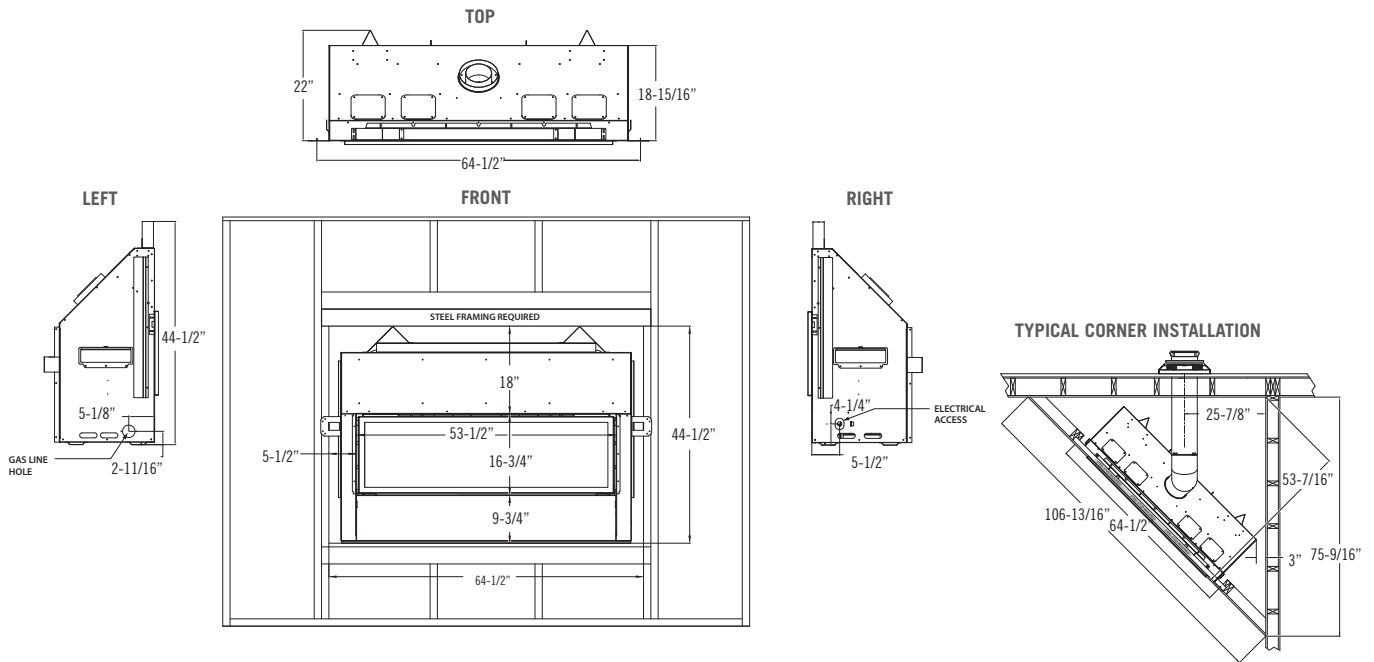
The width of the overhang to each side of the appliance (C) must be a minimum of 1/2 or greater of the roofline elevation (B) above the base of the fireplace.

EXAMPLE: If roofline (B) is 10 ft. above the base of the fireplace, the overhang (A) must be 5 ft. or greater. The width of the overhang to EACH side of the fireplace (C) must be 5 ft. or greater.

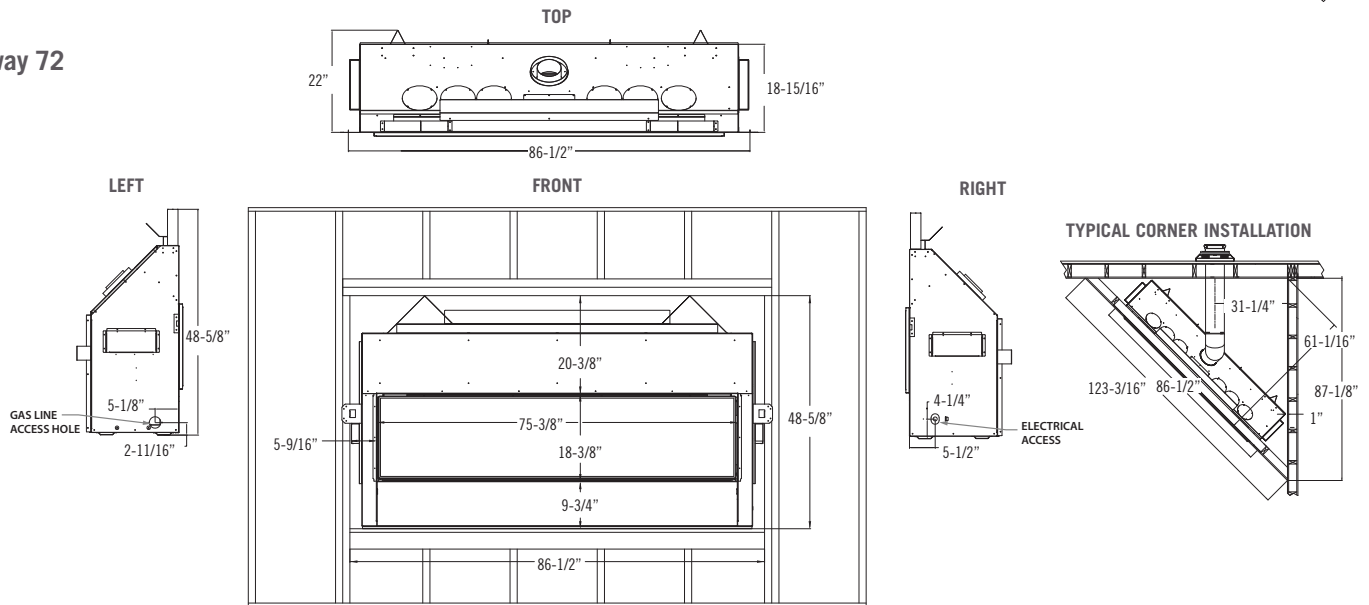
Callaway 40



Callaway 50



Callaway 72

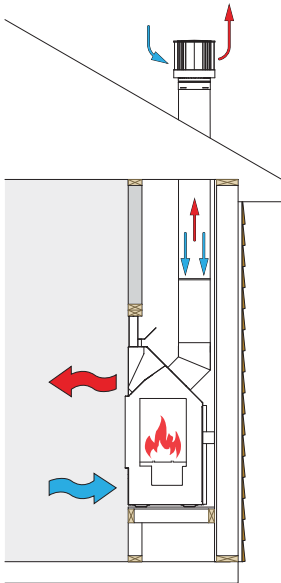


CALLAWAY SERIES

Fireplace brochures are for advertising purposes only. Refer to the specific fireplace manual for installation.

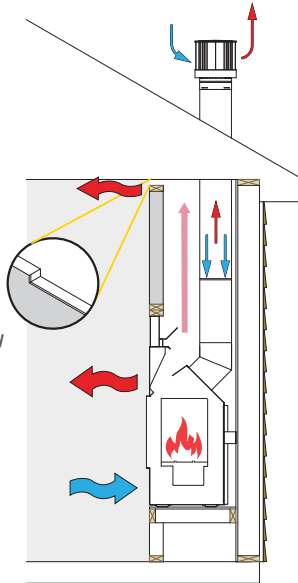
Kozy 'Heat Distribution'

Direct Vent No Heat Distribution



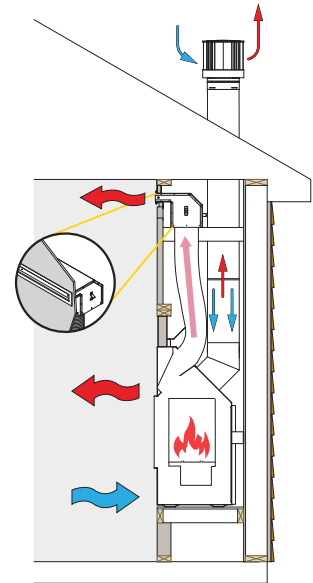
Vented Cavity

Vented Cavity Option A



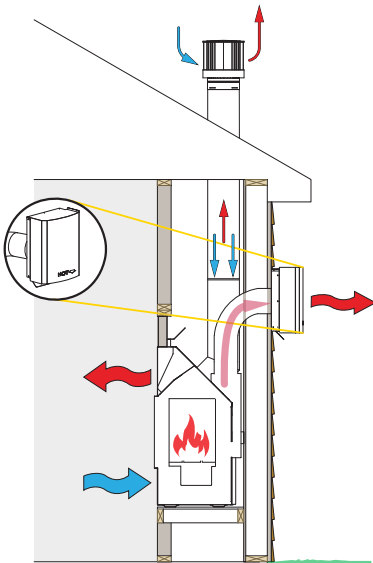
The Callaway series offers the option to leave a minimum sized opening in the fireplace cavity. This installation option allows for combustible facing materials (shiplap, barn wood), heat reduction for a TV above the fireplace, and the ability to bring a 6" mantle down to the 3/4" finishing edge of the fireplace. See installation manual for complete details and requirements.

Komfort Zone Kit



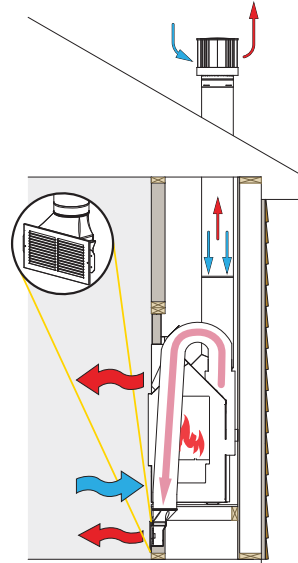
This kit requires flex pipes to be ran into a plenum that can be installed above the fireplace and divert a large portion of radiant heat. This installation option allows for combustible facing materials (shiplap, barn wood), heat reduction for a TV above the fireplace, and the ability to bring a 6" mantle down to the 3/4" finishing edge of the fireplace. See installation manual for complete details and requirements.

Exterior Transfer Kit



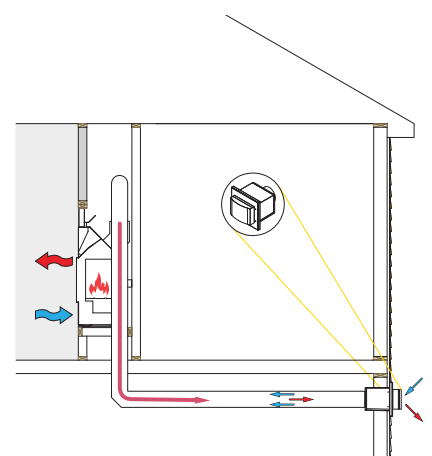
The exterior heat transfer kit allows you to transfer heat directly outside. Up to 80% heat diffusion (2 kits) - 3' Min. - 25' Max. with variable speed control included

Interior Transfer Kit



Transfer heat from the fireplace directly to other rooms in the home with an interior heat transfer kit. Allows up to 25% Heat Distribution (2 kits) - 3' Min. - 25' Max.

Power Vent



The Callaway series has been approved for horizontal power vent applications. See installation manual for complete details and requirements.

- 6-5/8" x 4" Venting
- 100' Max. Run (60' Vertical/ 60'Horizontal Run Max.)
- 8' Max Vertical Drop Allowed
- Max. 8 - 90° Elbows (or up to 16 - 45° Elbows)
- Kozy Power Vent (KPV) System.
Wiring Harness Required and Sold Separately

In order to continually provide the highest quality product available, features/options, specifications & dimensions are subject to change. Refer to the unit installation manual for complete installation instructions. Installation must conform with local building codes. **In some regions it may be possible that this appliance qualifies for an energy rebate. See your local dealer for details regarding promotions and qualifications.**

Manufactured by Husong Mfg. Co., Inc.
204 Industrial Park Road, Lakefield, MN 56150
Phone 1-800-253-4904 www.kozyheat.com

1-21



Product Line:



For complete information on the Kozy Heat product line, please contact us at:

FOR CALIFORNIA RESIDENTS ONLY

⚠ California Proposition 65 Warning

WARNING: This product can expose you to chemicals including Carbon Monoxide, that is an externally vented by-product of fuel combustion, which is [are] known to the State of California to cause birth defects or other reproductive harm. For more information, visit www.P65Warnings.ca.gov.