

OSSEO ELECTRIC FIREPLACE

29 INSERT | 34 INSERT | 45 LINEAR & SLIM | 60 LINEAR & SLIM

Osseo 45 Slim with a blue flame and seabreeze ember bed and a 4 piece surround



QUALITY FIREPLACES FOR LIFE.

KOZY  HEAT
FIREPLACES



Osseo 34 with orange flame, orange ember bed, river rock, traditional logs with a prairie screen front

OSSEO SERIES

Media Options



Clear Acrylic Crystals



Large Crystal
Not Applicable on Slim Models



River Rock



Driftwood



Traditional Logs



Lava Rock

OSSEO SERIES

Flame Options



Blue & Orange Flame



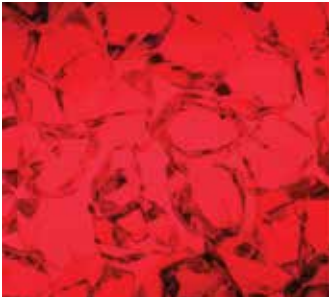
Blue Flame



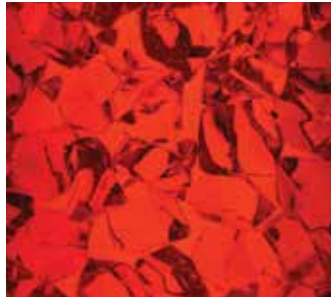
Orange Flame

Ember Bed Lighting Options

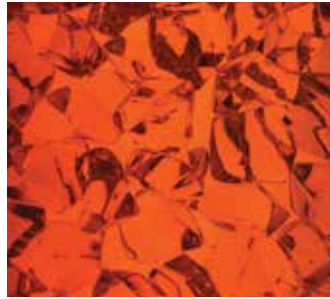
Variations in the color and tone are common in the printing process, therefore actual colors may vary slightly from those shown.



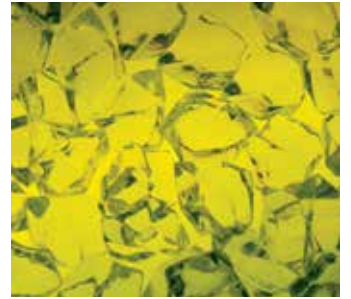
Red



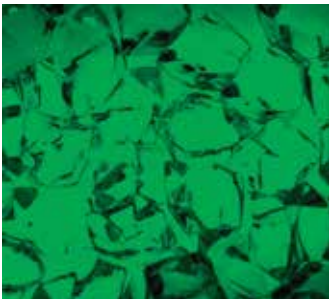
Ember



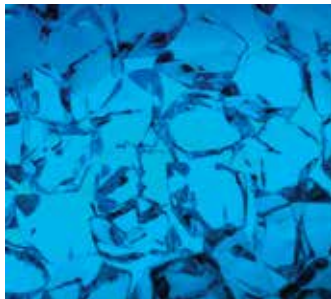
Orange



Yellow



Green



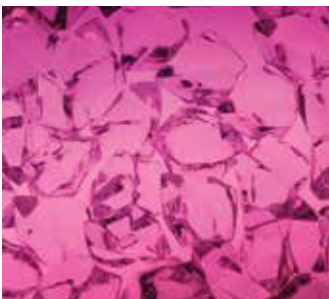
Sea Breeze



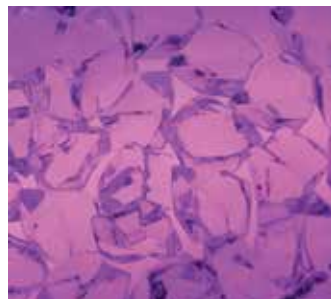
Blue



Purple



Pink



Magenta



White

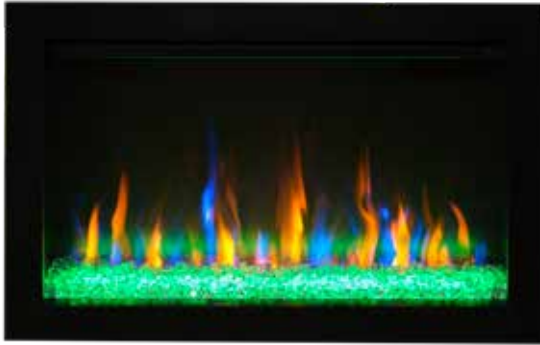


Multi-Color Changing

OSSEO SERIES 29 / 34 INSERTS

All the the Osseo fireplaces can come in any color combination and any media combination listed. They all come with a standard rectangle front.

Variations in the color and tone are common in the printing process, therefore actual colors may vary slightly from those shown.



Osseo 29 with an orange & blue flame and a green ember bed and a standard rectangle front



Osseo 29 with an orange flame, pink ember bed and an antique copper rectangle screen front.



Osseo 29 with an orange flame, red ember bed, river rocks and traditional logs with a standard rectangle front



Osseo 34 with an orange & blue flame, orange ember bed, river rocks, traditional logs and a mission screen front in vintage bronze



Osseo 34 with an orange flame, ember colored ember bed, driftwood logs and a rectangle screen front in brushed nickel overlay



Osseo 34 with a blue flame, white ember bed, driftwood logs and a standard rectangle front

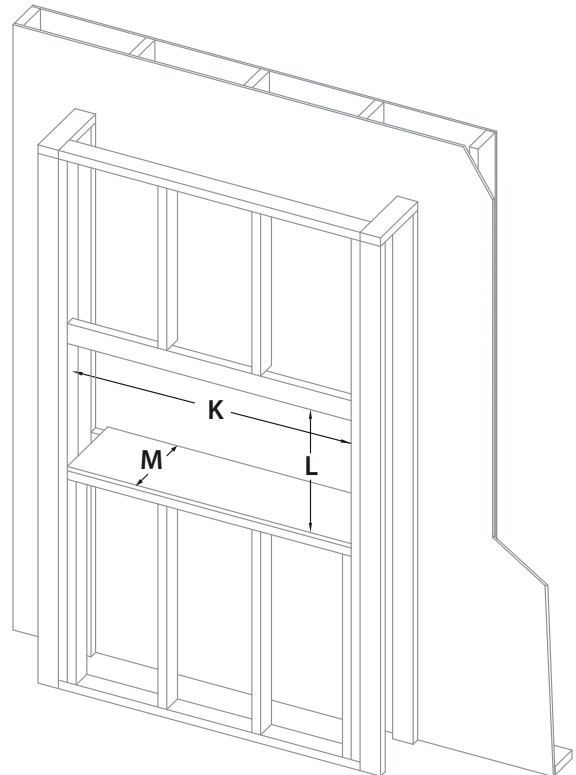
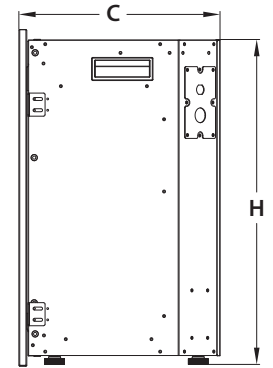
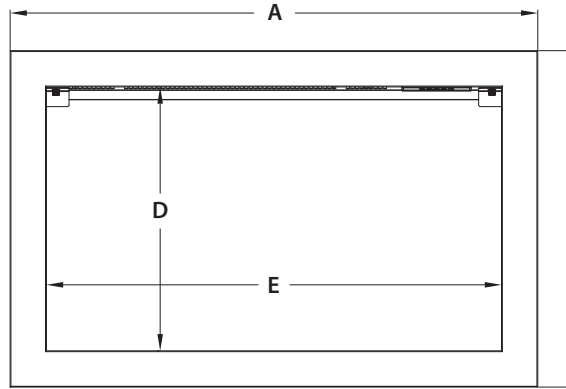
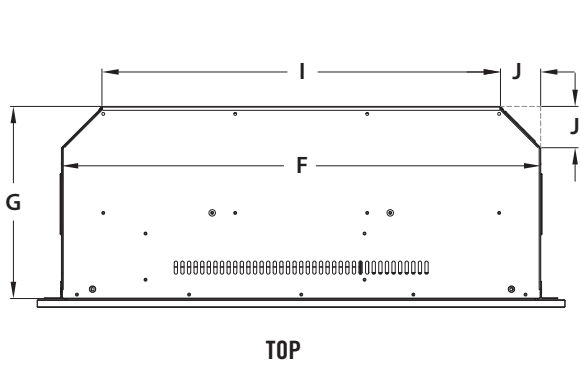


Available in Black for the Osseo 45 & 60

OSSEO SERIES 29 / 34

Installation Dimensions

PRODUCT DIMENSIONS										
Model	A	B	C	D	E	F	G	H	I	J
OSO-29	31-1/2"	20-1/8"	12"	15"	27-11/16"	28-3/4"	11-1/2"	19-7/16"	24"	2-3/8"
OSO-34	35-5/16"	24-1/8"	12"	19-1/4"	31-1/2"	32-9/16"	11-1/2"	23-1/2"	26-3/4"	2-3/8"

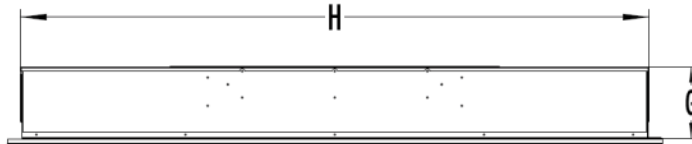


FRAMING DIMENSIONS		
K	L	M
29-1/2"	19-3/4"	12"
33"	23-7/8"	12"

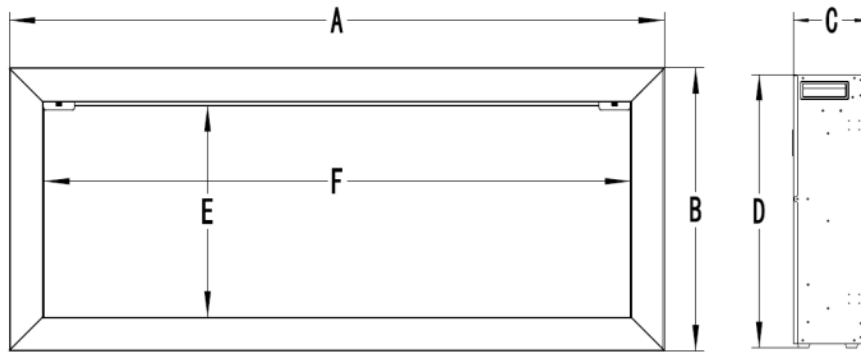
OSSEO SERIES 45 / 60 SLIM

Installation Dimensions

PRODUCT DIMENSIONS								
Model	A	B	C	E	F	D	G	H
OSO-45-SL	50-1/8"	21-5/8"	5-7/8"	16-1/4"	45-1/8"	20-7/8"	5-3/8"	48"
OSO-60-SL	65-1/8"	21-5/8"	5-7/8"	16-1/4"	60"	20-7/8"	5-3/8"	63"

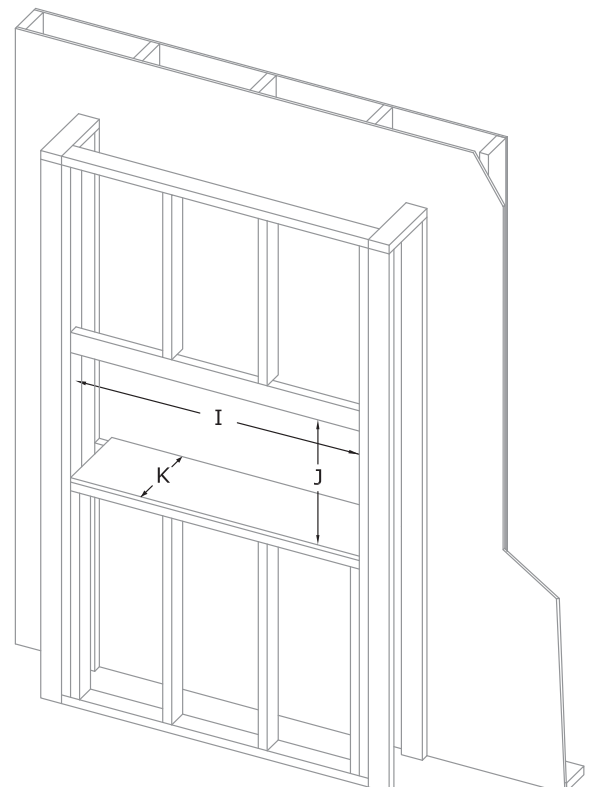


TOP



FRONT

RIGHT

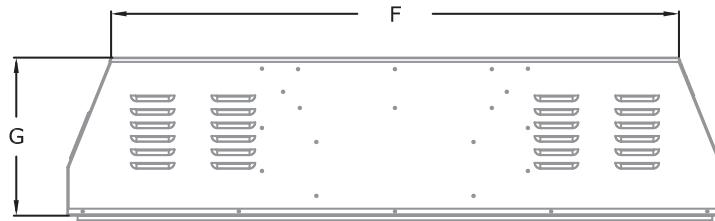


FRAMING DIMENSIONS		
I	J	K
48-3/4"	21-3/8"	5-7/8"
64"	21-3/8"	5-7/8"

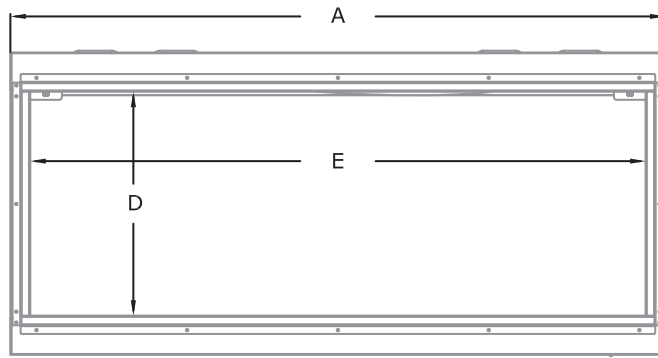
OSSEO SERIES 45 / 60

Installation Dimensions

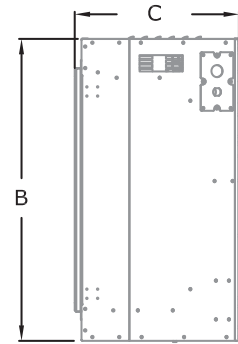
PRODUCT DIMENSIONS							
Model	A	B	C	D	E	F	G
OSO-45	47-7/8"	22-1/4"	12"	16-1/4"	45-1/8"	41-1/2"	11-1/2"
OSO-60	62-7/8"	22-1/4"	12"	16-1/4"	56-5/8"	56-1/2"	11-1/2"



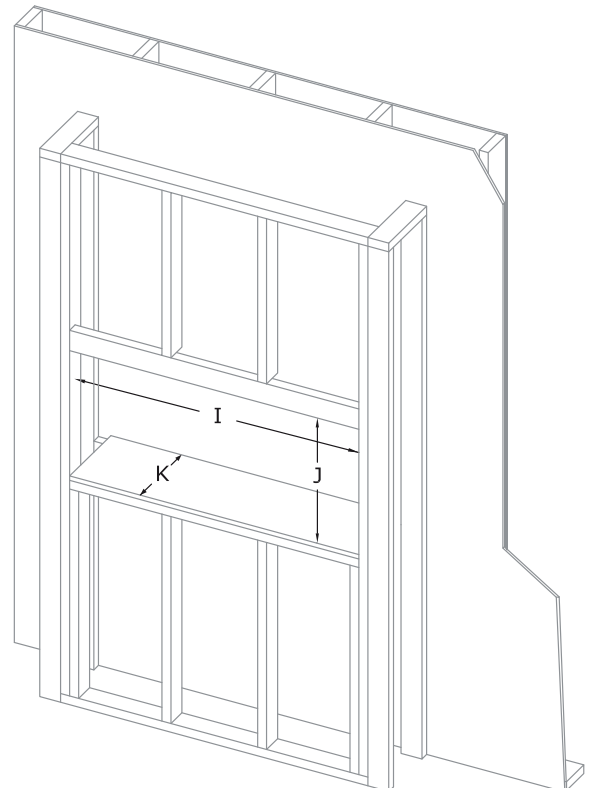
TOP



FRONT



RIGHT



FRAMING DIMENSIONS		
I	J	K
48-3/4"	23"	12"
63-3/4"	23"	12"

OSSEO SERIES

Specifications

Model	Osseo 29 Insert	Osseo 34 Insert	Osseo 45 Linear	Osseo 60 Linear	Osseo 45 Slim	Osseo 60 Slim
Weight	64 lbs.	76 lbs.	109 lbs.	137 lbs.	75 lbs.	95 lbs.
Viewing Area	15" x 27-11/16"	19-1/4" x 31-1/2"	16-3/8" x 45"	16-3/8" x 60"	16-1/4" x 45-1/8"	16-1/4" x 56-5/8"
BTU	5,000	5,000	5,000	5,000	5,000	5,000
Heater	Two Stage (Hi/Lo) with Blower					
Electrical	Plug in or hardwired 120V with Energy Saving LED light kits					
Timer	Minimum: 30 Mins Maximum: 8 Hours					
Included Media	Clear Acrylic Crystals, Large Crystals, River Rock				Clear Acrylic Crystals, River Rock Large Crystals N/A on Slim Models	
Optional Media	Driftwood, Traditional Logs, Lava Rock					
Remote	Included					
Standard Rectangle Front	Overlay Front Included					
Additional Options	Chaska 29 Fronts	Chaska 34 Fronts	Rectangle 4 Piece Surround	Rectangle 4 Piece Surround	Trim Accessory Kit for 2x4 Wall Install	Trim Accessory Kit for 2x4 Wall Install

Features, Options & Specifications are subject to change.

Refer to the install manuals for complete installation requirements.

Clearances

Model	Osseo 29/34	Osseo 45/60
Bottom of Appliance	0"	0"
Left and Right Sides of Appliance	0"	0"
Back of Appliance	1/2"	1/2"
Front of Appliance	36"	36"
Top of Viewing Opening to 2" Mantel	2-3/4"	2-7/8"
Top of Viewing Opening to ceiling	7-3/4"	7-7/8"
Top of Appliance to Enclosure	1/2"	1/2"

Burn Videos



Osseo 60



Osseo 34

Shroud Dimensions – Insert Application

Osseo 29

25"x38", 27 1/2"x42", 30"x44" (Chaska Shrouds) or 27"x40" (Includes a 4" bottom riser)

Osseo 34

27"x40", 30"x44", 33"x46" (Chaska Shrouds) or 32"x44" (Includes a 4" bottom riser)

*Custom sizes available where applicable

Rectangle Surround Dimensions

Osseo 45

24 3/8" x 53 1/8"

Osseo 60

24 3/8" x 68 1/8"

In order to continually provide the highest quality product available, features/options, specifications, & dimensions are subject to change. Flame appearance and characteristics may be affected by altitude, fuel type, venting configuration, and other factors. Refer to the unit installation manual for complete installation instructions. Installation must conform with local building codes. **In some regions it may be possible that this appliance qualifies for an energy rebate. See your local dealer for details regarding promotions and qualifications.**

Hussong Mfg. Co., Inc.
204 Industrial Park Road, Lakefield, MN 56150
Phone 1-800-253-4904 www.kozyheat.com 1-23



Product Line:



For complete information on the Kozy Heat product line, please contact us at:

FOR CALIFORNIA RESIDENTS ONLY

⚠ California Proposition 65 Warning

WARNING: Cancer and Reproductive Harm - www.P65Warnings.ca.gov.