

#BH44-500 & #BH44-B501 LOG SETS

For use with models #BHM-44 & #BHM-44-BW

CAUTION: Do not place logs directly over burner portholes. Improper log placement may affect flame appearance and cause excessive soot to build upon the logs and glass.

NOTE: Your logs may look different than shown. The logs will install the same for both traditional (#BH44-500) and birchwood (#BH44-B501).

- If converting to propane, complete the conversion before installing the log set. Follow the conversion instructions included with the kit.

- Log numbers are located on the bottom of each log. Refer to the following instructions and illustrations for proper log placement.
 1. Using both hands, place log 1 at the rear of the firebox, as shown in Figure 2. Slide the log forward until it rests against the log stop bracket flanges (Figure 1).
 2. Align the holes in the bottom of logs 2, 3, and 4 with the corresponding studs located on the burners. See Figure 1 for burner stud locations.

Instructions continue on the following page.

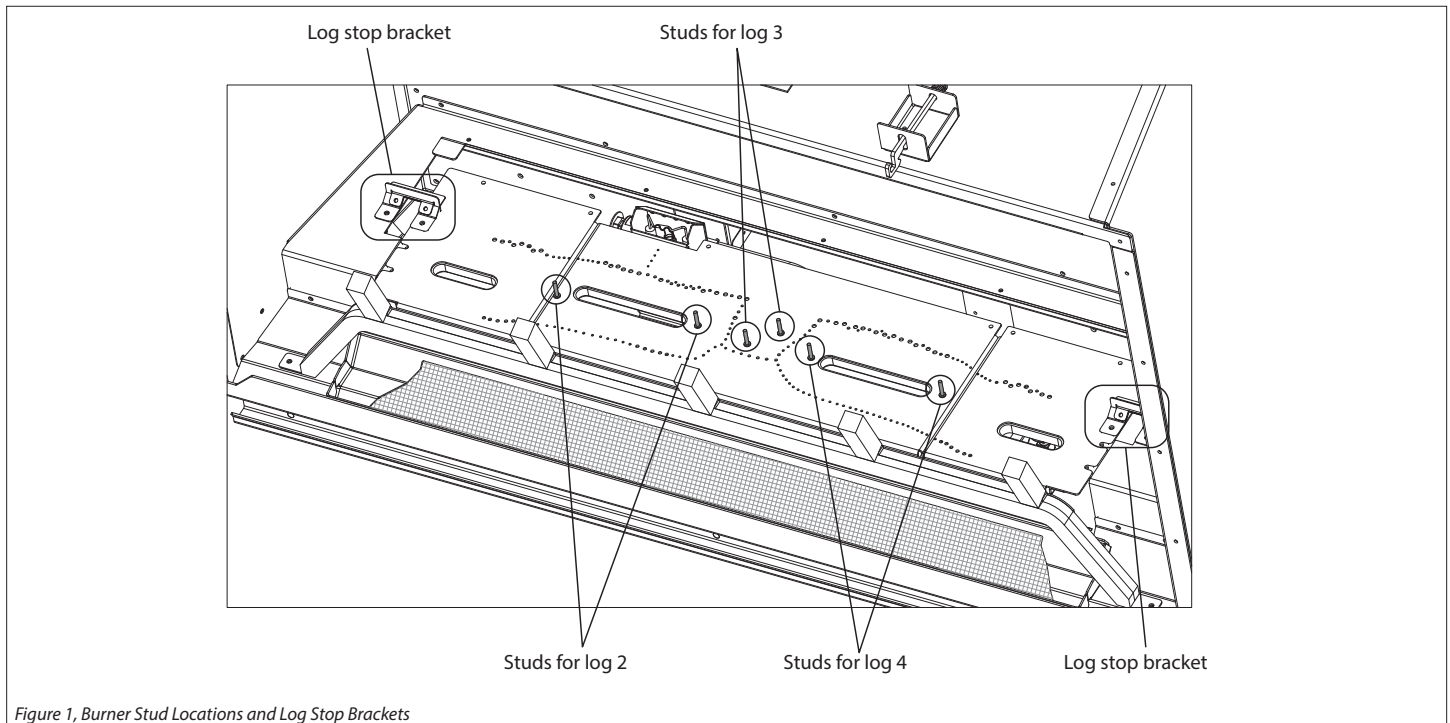


Figure 1, Burner Stud Locations and Log Stop Brackets



Figure 2, Base Logs

Use Figures 3 and 4 together for the following instructions for proper log placement.

Figure 5 on the following page is the completed installation of the #BH44-500 traditional log set. Figure 6 on the following page is the completed installation of the #BH44-B501 birchwood log set.

3. Align the hole in the bottom of log 5 with the pin on the left hand side of log 1 and set into position, as shown in Figure 4.
4. Align the hole in the bottom of log 6 with the pin in log 1 (Figure 3). Place as shown in Figure 4.
5. Place log 8 on log 4, as shown in Figure 4.
6. Align the pin in the bottom of log 7 with the hole in the notch in log 2 (Figure 3), and set on to log 8, as shown in Figure 4.
7. Align log 9 with the notches on log 1 (Figure 3) and log 4, as shown in Figure 4.
8. Align log 10 with the notch on log 1 (Figure 3), and place on log 4, as shown in Figure 4.
9. Place crushed glass media into the ember bed media tray.
10. Place the (4) charred pieces on top of the ember bed. We show one way to place the pieces, and you may place the pieces at your discretion.
11. Distribute lava rock at the sides on the log support brackets and firebox floor.
12. Use a steel or stiff bristle nylon brush to distribute rock wool embers onto logs and burners.

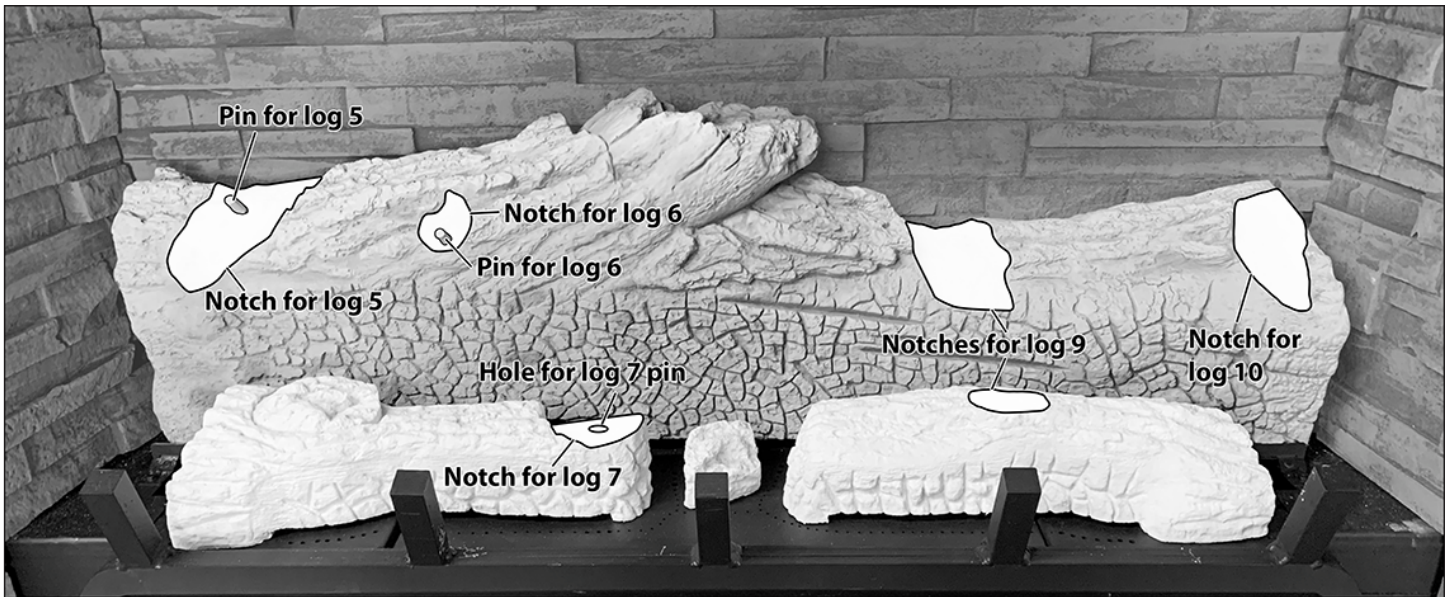


Figure 3, Base Log Notches



Figure 4, Top Logs

