

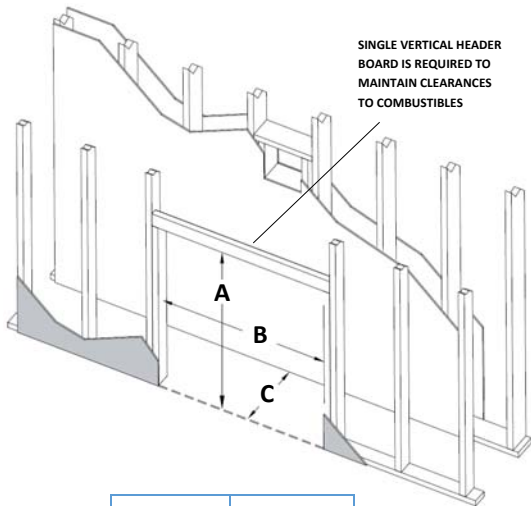
Please leave these reference guides at the installation location until the installation is finished. See owners manual for full installation and finishing instructions before making final decisions as information is subject to change.

## Specifications (all measurements are in inches)

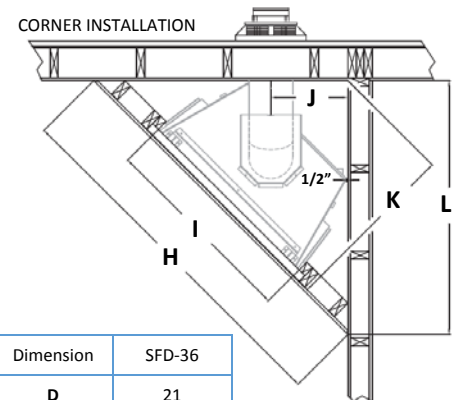
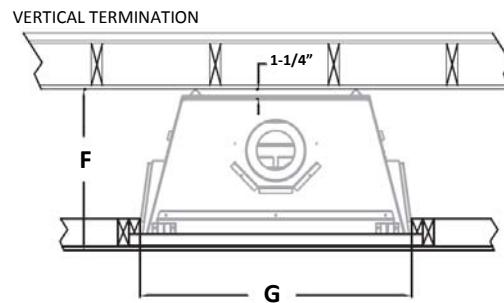
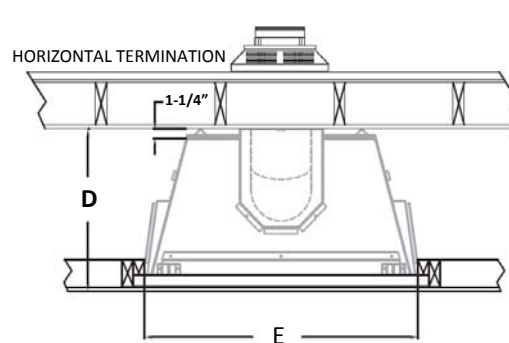
• GAS LINE OPENING: LEFT/RIGHT SIDES • ELECTRICAL ACCESS: RIGHT SIDE

Model	BTU	Height		Front Width		Back Width		Depth		Glass Viewing Area
		Actual	Framing	Actual	Framing	Actual	Framing	Actual	Framing	
SFD-36	35,000	30	33-1/2	35-3/4	36-3/4	25-5/16	36-3/4	19-3/4	21	29-7/16 x 21-5/8

## Framing Opening



Dimension	SFD-36
A	33-1/2
B	36-3/4
C	21

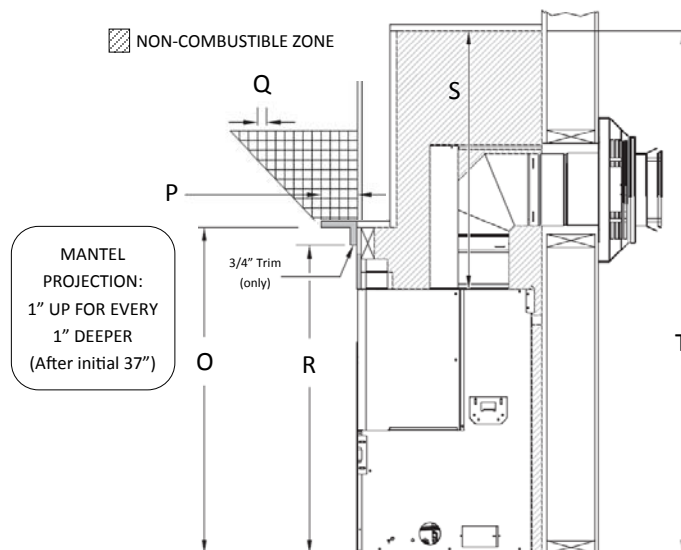


Dimension	SFD-36
D	21
E	36-3/4
F	21
G	36-3/4
H	66-1/4
I	36-3/4
J	14-3/16
K	32-5/8
L	46-7/8

## Finishing Clearances

## Mantel Clearances

## Finish Trim Kit



**Important!**

If you are finishing around the fireplace with tile or stone make sure that you install the **Finishing Trim Kit** at the framing stage.

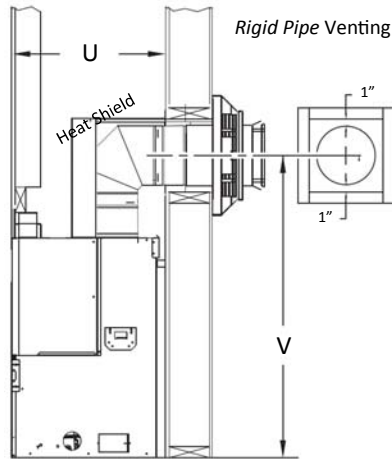
The trim kit allows for your finishing board and your tile/stone to finish up against, creating a shadowbox for the face to sit inside.

Do not use with *RSF* fronts, all other fronts apply.

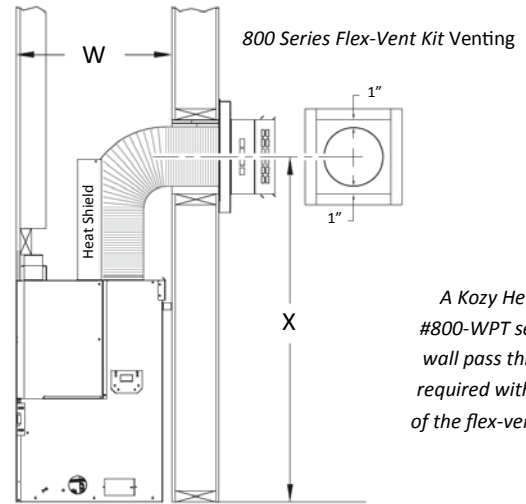
Dimension	SFD-36
M	4-1/2
N	13-5/8
O	47-1/4

Dimension					
O	P	Q	R	S	T
37	4	1	35	29-1/4	59-1/4

## Horizontal Termination Framing



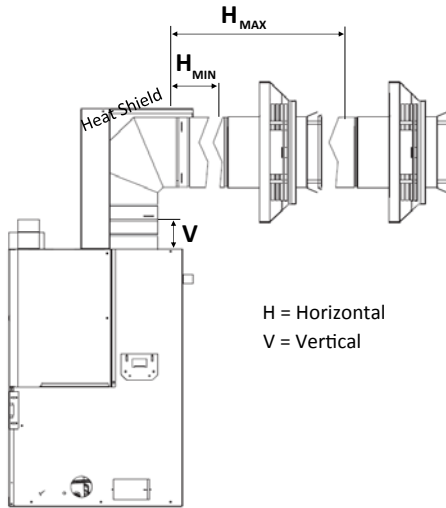
Dimension	SFD-36
U	21
V	41
W	21
X	45



A Kozy Heat #800-WPT series wall pass thru is required with use of the flex-vent kit.

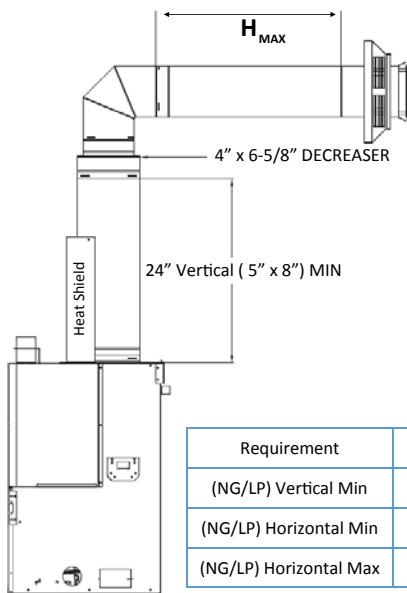
## Horizontal 5" X 8" Venting Minimum Requirements

Requirement	SFD-36
(NG/LP) Vertical Min	6 + 90° Elbow
(NG/LP) Horizontal Min	6
(NG/LP) Horizontal Max	24



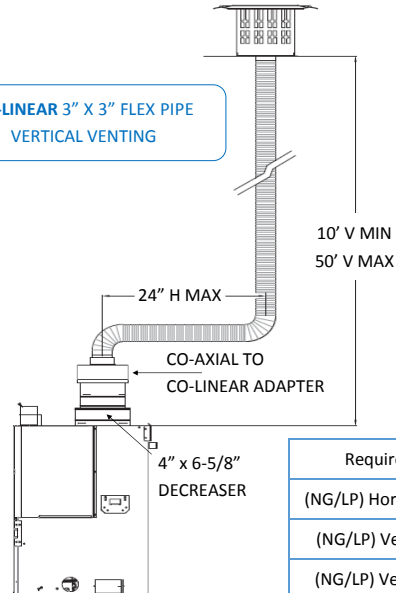
Consult venting chart in manual for options above minimum requirements

## 4" x 6-5/8" Decreaser Minimum Requirements



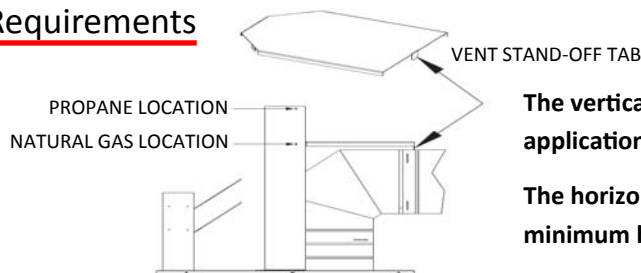
Requirement	SFD-36
(NG/LP) Vertical Min	24 + Decreaser + 90° Elbow
(NG/LP) Horizontal Min	90° Elbow
(NG/LP) Horizontal Max	24

CO-LINEAR 3" X 3" FLEX PIPE  
VERTICAL VENTING



Requirement	SFD-36
(NG/LP) Horizontal Max	Decreaser + Adapter + 24
(NG/LP) Vertical Min	10
(NG/LP) Vertical Max	50 ft.

## Heat Shield Requirements



The vertical vent heat shield must be installed for EVERY type of venting application.

The horizontal vent heat shield must be installed when incorporating minimum horizontal venting and is positioned according to the gas type.