

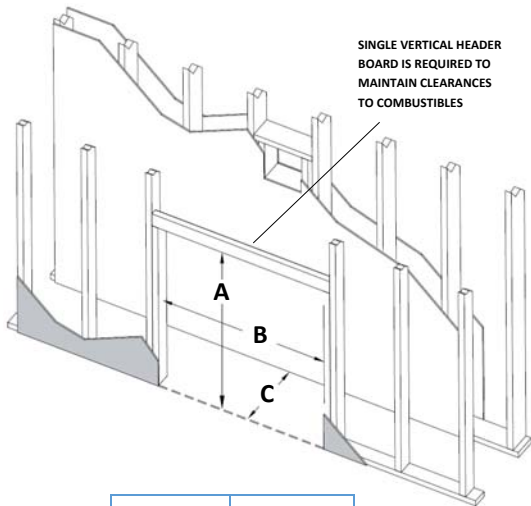
Please leave these reference guides at the installation location until the installation is finished. See owners manual for full installation and finishing instructions before making final decisions as information is subject to change.

## Specifications (all measurements are in inches)

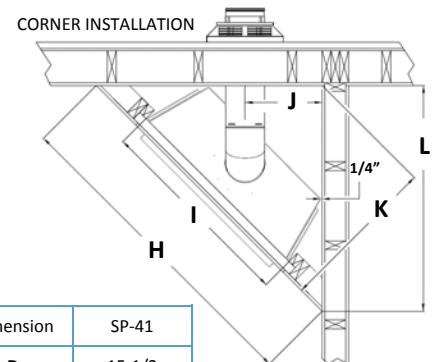
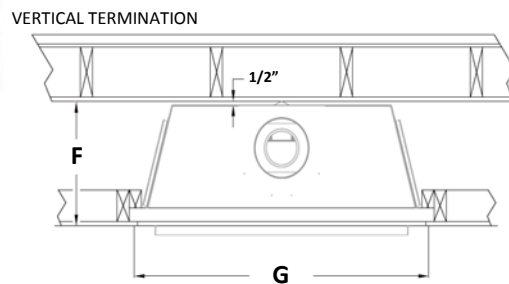
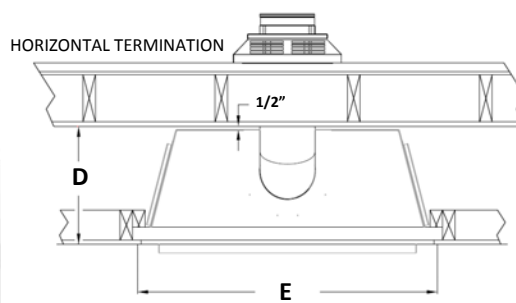
• GAS LINE OPENING: RIGHT SIDE • ELECTRICAL ACCESS: LEFT SIDE

Model	BTU	Height		Front Width		Back Width		Depth		Glass Viewing Area
		Actual	Framing	Actual	Framing	Actual	Framing	Actual	Framing	
SP-41	28,000	34-1/2	37	40-3/4	41	24-3/16	41	15	15-1/2	33-5/8 x 23-3/8

## Framing Opening

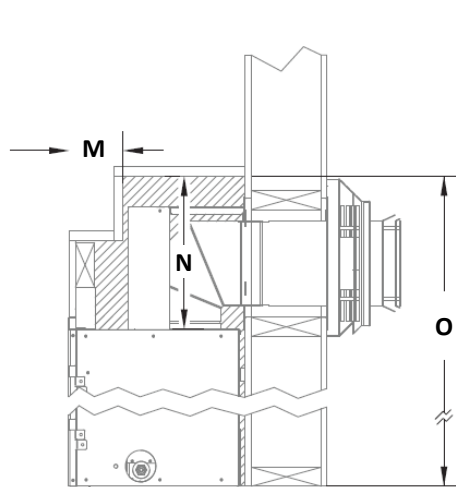


Dimension	SP-41
A	37
B	41
C	15-1/2



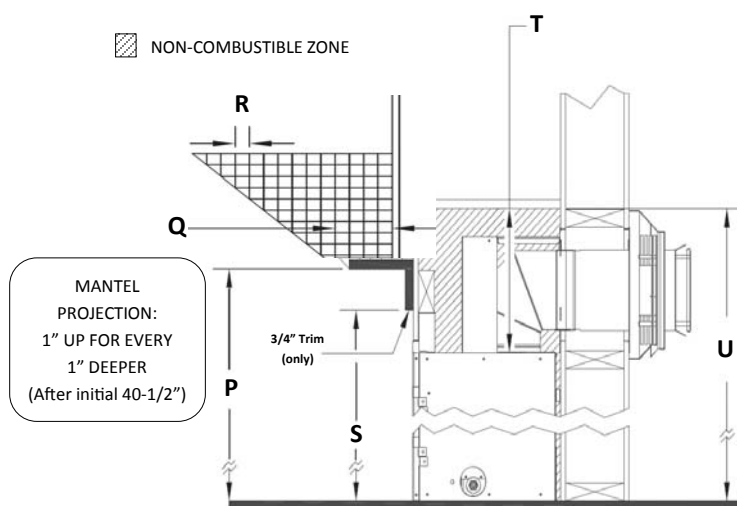
Dimension	SP-41
D	15-1/2
E	41
F	15-1/2
G	41
H	54-1/2
I	41
J	12-1/8
K	26-7/8
L	38-1/2

## Finishing Clearances



Dimension	SP-41
M	4-1/2
N	13-5/8
O	47-1/4

## Mantel Clearances



Dimension					
P	Q	R	S	T	U
40-1/2	6	1	37-1/8	13-5/8	47-1/4

## Finish Trim Kit



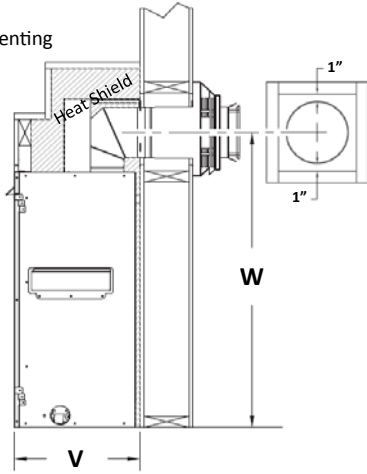
**Important!**  
If you are finishing around the fireplace with tile or stone make sure that you install the **Finishing Trim Kit** at the framing stage.

The trim kit allows for your finishing board and your tile/stone to finish up against, creating a shadowbox for the face to sit inside.

Do not use with *RSF* fronts, all other fronts apply.

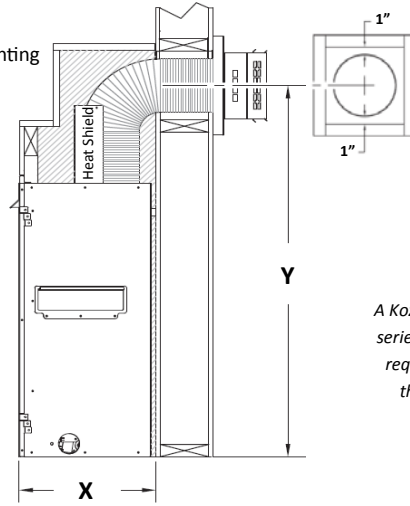
## Horizontal Termination Framing

Rigid Pipe Venting



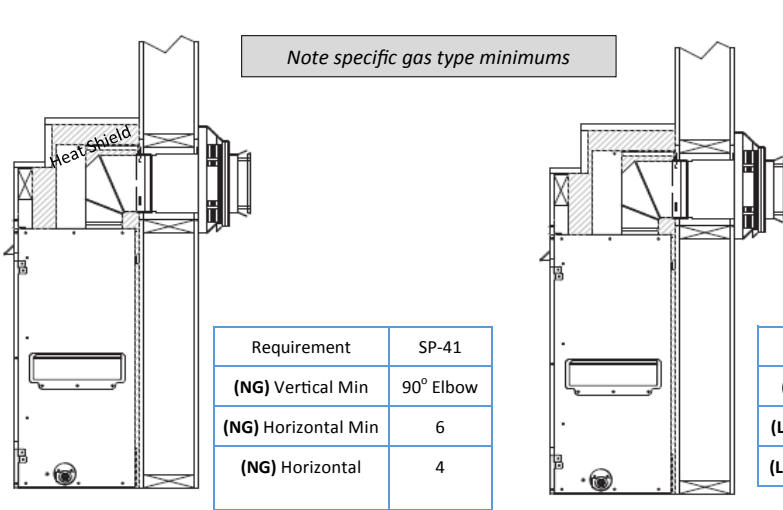
Dimension	SP-41
V	15-1/2
W	38-3/4
X	15-1/2
Y	45-5/8

700 Series Flex-Vent Kit Venting

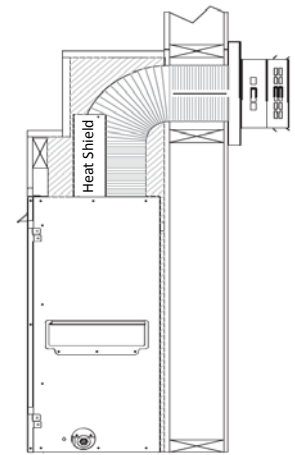
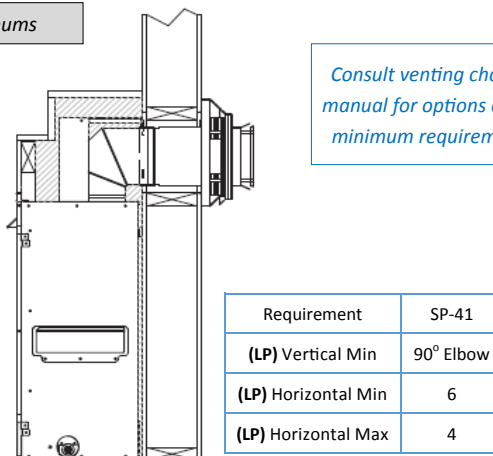


A Kozy Heat #700-WPT series wall pass thru is required with use of the flex-vent kit.

## Horizontal Venting Minimum Requirements

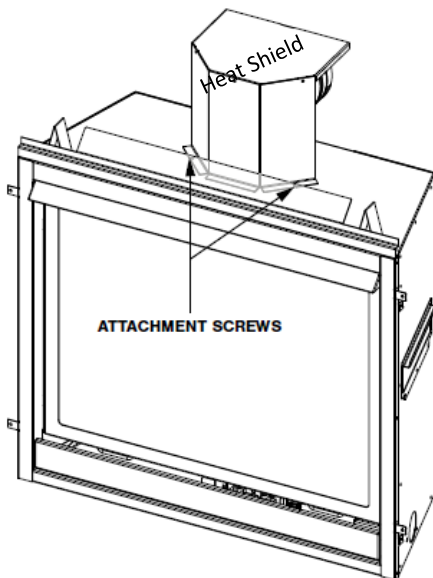


Consult venting chart in manual for options above minimum requirements



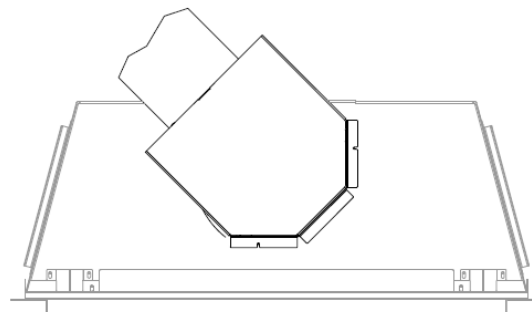
Requirement	SP-41
(NG/LP) Vertical Min	90° Elbow
(NG/LP) Horizontal Min	6
(NG/LP) Horizontal Max	4

## Heat Shield Requirements



The vertical vent heat shield must be installed for EVERY type of venting application.

The horizontal vent heat shield must be installed when incorporating minimum horizontal venting.



VENT HEAT SHIELD - CORNER INSTALLATION