

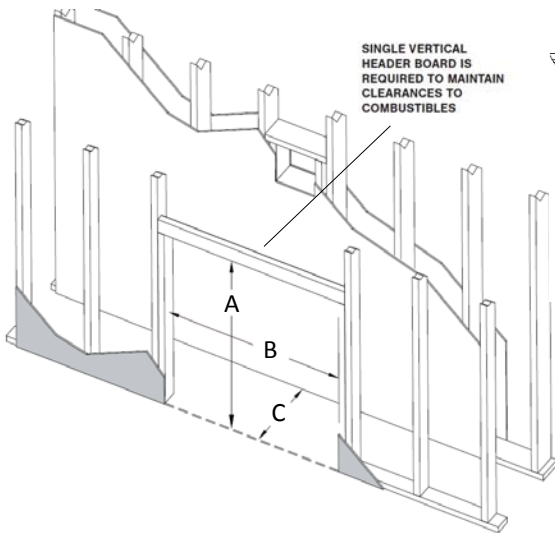
Please leave these reference guides at the installation location until the installation is finished. See owners manual for full installation and finishing instructions before making final decisions as information is subject to change.

Specifications (all measurements are in inches)

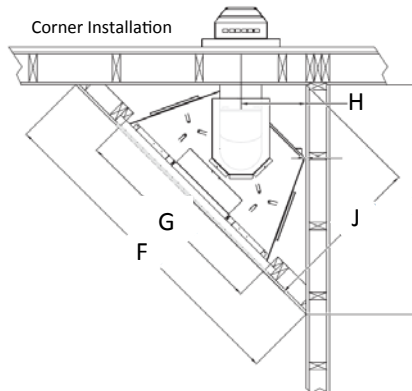
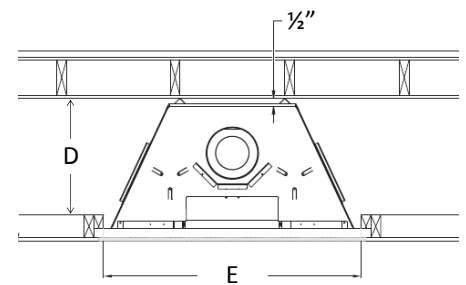
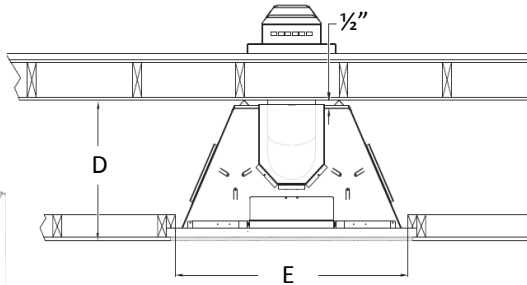
• GAS LINE OPENING: LEFT/RIGHT SIDES • ELECTRICAL ACCESS: RIGHT SIDE

Model	BTU	Height		Front Width		Back Width		Depth		Glass Viewing Area
		Actual	Framing	Actual	Framing	Actual	Framing	Actual	Framing	
CAR-39	40,000 (NG) 41,000 (LP)	34-1/2	44-1/2	38-3/4	39-3/4	19-15/16	39-3/4	22	22-1/2	28-1/8 x 32-7/16
CAR-46	45,000	36	46	45-3/4	46-1/4	22-3/8	45-3/4	21-1/2	22	27-1/2 x 39-7/16

Framing Opening

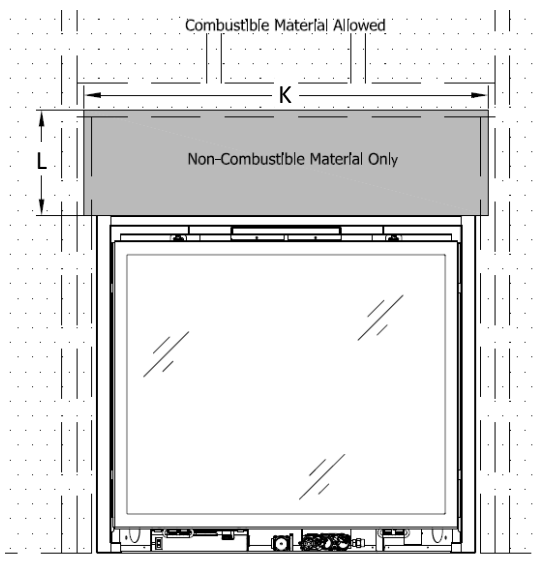


Dimension	CAR-39	CAR-46
A	44-1/2	46
B	39-3/4	46-1/2
C	22	21-1/2



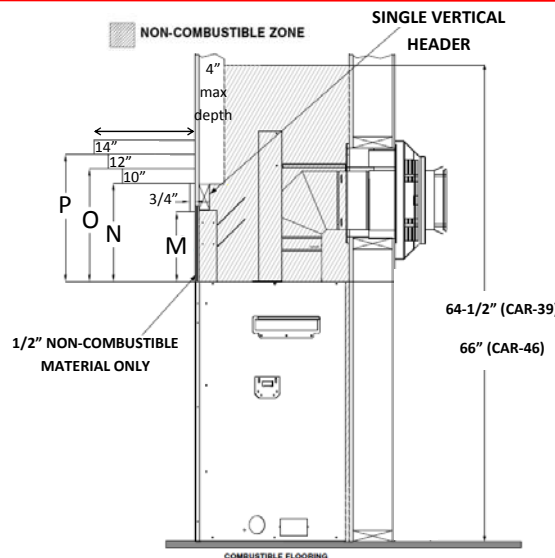
Dimension	CAR-39	CAR-46
D	22	21-1/2
E	39-1/4	46-1/4
F	62-5/8	64-3/4
G	39-3/4	46-1/4
H	12-9/16	13-5/16
I	44-5/16	45-3/4
J	31-5/16	32-3/8

Finishing Clearances



Dimension	CAR-39	CAR-46
K	41-1/4	47-1/2
L	10-1/2	10-1/2

Mantel Clearances



Dimension	CAR-39	CAR-46	Dimension	CAR-39	CAR-46
M	10	10	O	16	18
N	14	14	P	16	18

Finish Trim Kit



Important!

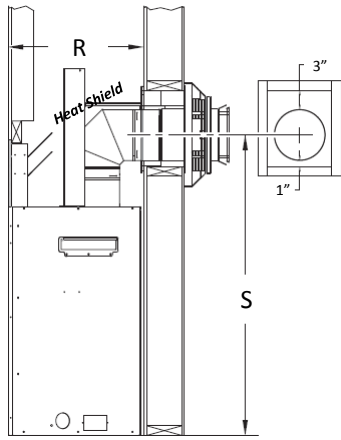
If you are finishing around the fireplace with tile or stone make sure that you install the **Finishing Trim Kit** at the framing stage.

The trim kit allows for your finishing board and your tile/stone to finish up against, creating a shadowbox for the face to sit inside.

Do not use with *RSF* fronts, all other fronts apply.

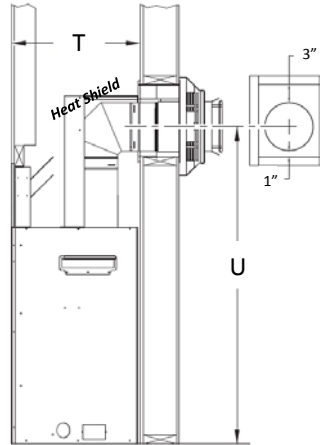
Horizontal Termination Framing

NATURAL GAS MINIMUM HORIZONTAL TERMINATION



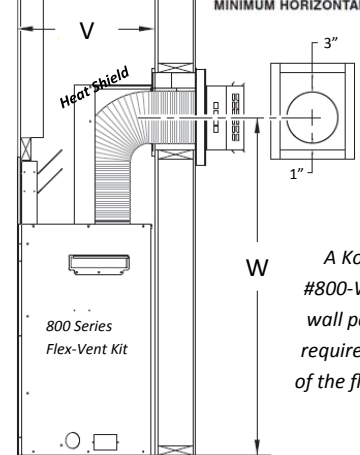
Dimension	CAR-39 (NG)	CAR-46 (NG)
R	22	21-1/2
S	45-1/8	46-5/8

PROPANE MINIMUM HORIZONTAL TERMINATION



Dimension	CAR-39 (LP)	CAR-46 (LP)
T	22	21-1/2
U	51-1/8	52-5/8

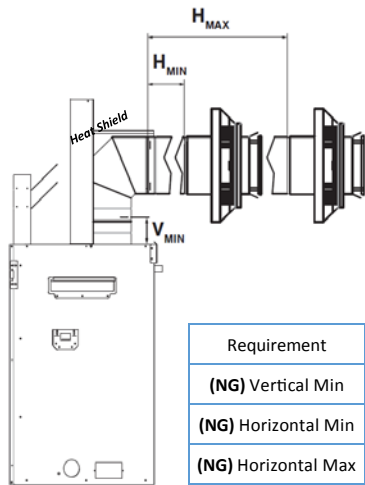
NATURAL GAS AND PROPANE FLEX PIPE MINIMUM HORIZONTAL TERMINATION



Dimension	CAR-39 (NG/LP)	CAR-46 (NG/LP)
V	22	21-1/2
W	51-1/8	52-5/8

A Kozy Heat #800-WPT series wall pass thru is required with use of the flex-vent kit.

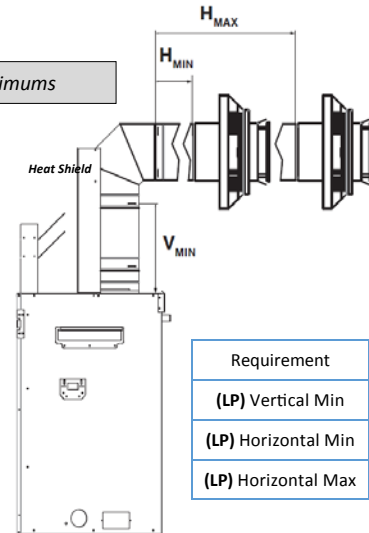
Horizontal Venting Minimum Requirements



Requirement	CAR-39	CAR-46
(NG) Vertical Min	9 + 90° Elbow	9 + 90° Elbow
(NG) Horizontal Min	6	6
(NG) Horizontal Max	10 ft.	10 ft.

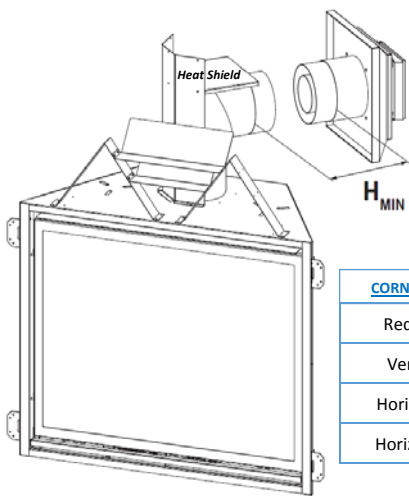
Note specific model number and gas type minimums

H = Horizontal
V = Vertical



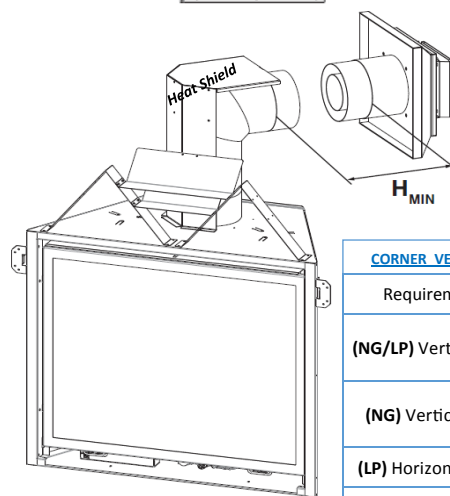
Requirement	CAR-39	CAR-46
(LP) Vertical Min	12 + 90° Elbow	12 + 90° Elbow
(LP) Horizontal Min	6	6
(LP) Horizontal Max	4 ft.	4 ft.

Consult venting chart in manual for all options above minimum requirements



CORNER VENTING	
Requirement	CAR-46 (NG ONLY)
Vertical Min	6 + 90° Elbow
Horizontal Min	6
Horizontal Max	CAP

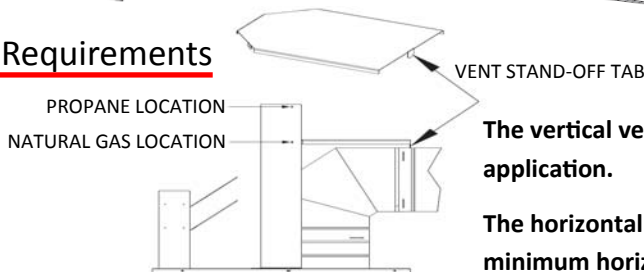
6 + 90° Elbow + 6 =
CAR-46 (NG)



CORNER VENTING		
Requirement	CAR-39	CAR-46 (LP ONLY)
(NG/LP) Vertical Min	12 + 90° Elbow	12 + 90° Elbow
(NG) Vertical Min	12 + 90° Elbow	12 + 90° Elbow
(LP) Horizontal Min	6	6
(LP) Horizontal Max	CAP	CAP

12 + 90° Elbow + 6 =
CAR-39 (NG)
CAR-39 (LP)
CAR-46 (LP)

Heat Shield Requirements



The vertical vent heat shield must be installed for EVERY type of venting application.

The horizontal vent heat shield must be installed when incorporating minimum horizontal venting and is positioned according to the gas type.