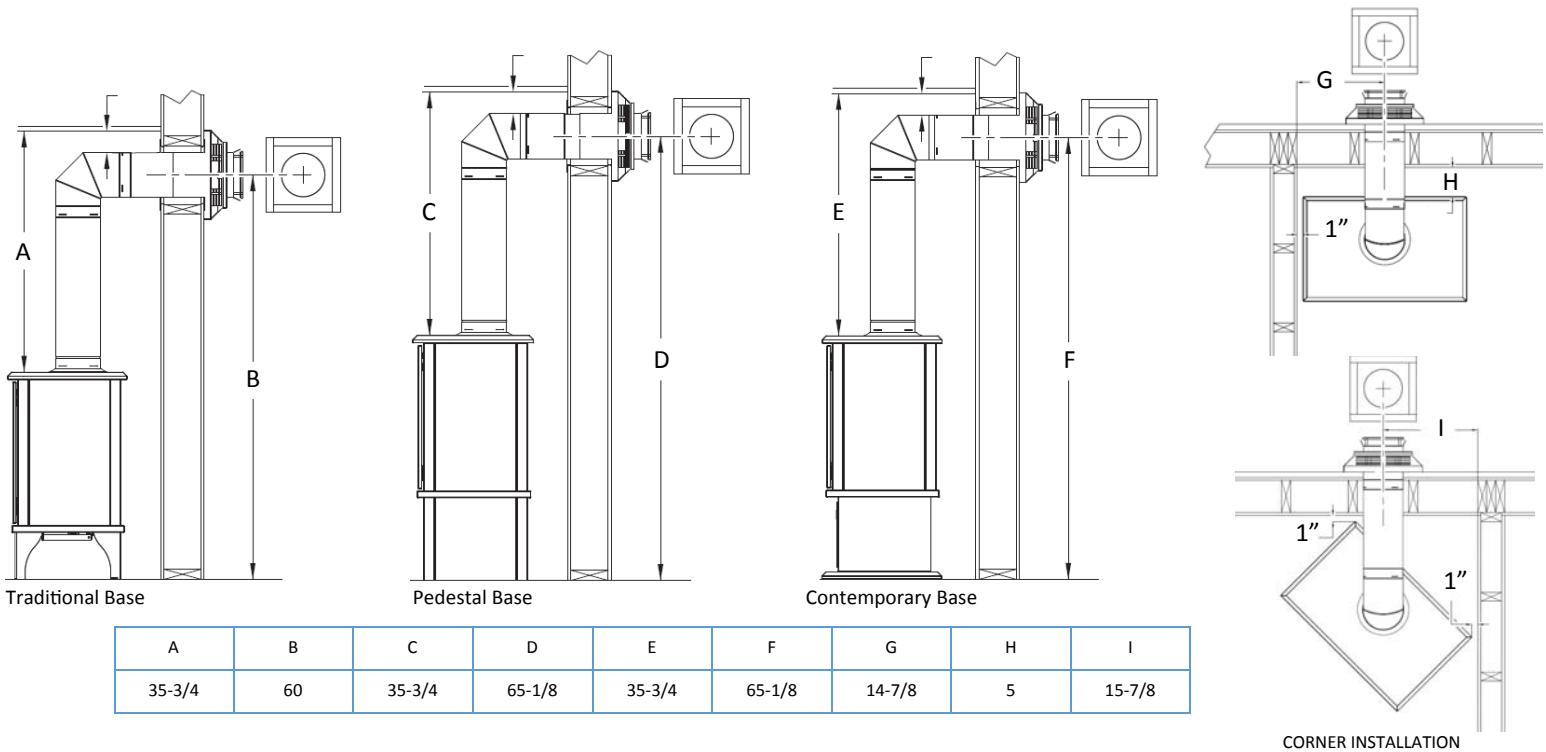


Please leave these reference guides at the installation location until the installation is finished. See owners manual for full installation instructions before making final decisions as information is subject to change.

Specifications (all measurements are in inches)

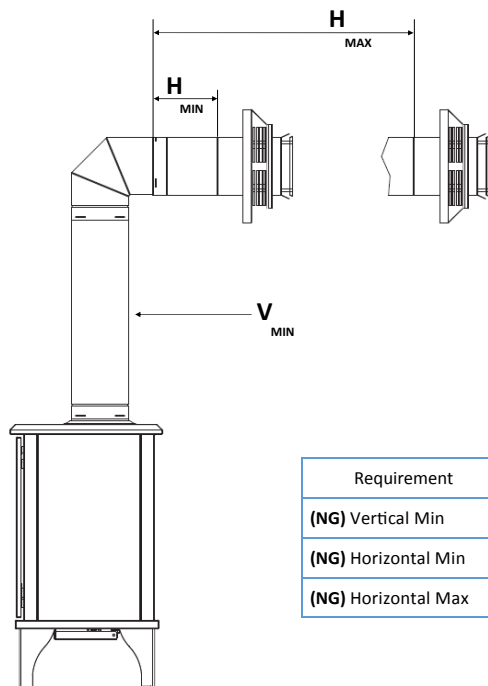
Model (with base installed)	BTU	Height	Front Width	Back Width	Depth	Glass Viewing Area
BIR-20 (Traditional Base)	32,500	30-3/4	27-3/4	27-3/4	15-3/4	20-1/16 x 14-1/8
BIR-20 (Pedestal Base)	32,500	35-15/16	27-3/4	27-3/4	17-3/4	20-1/16 x 14-1/8
BIR-20 (Contemporary Base)	32,500	35-15/16	27-3/4	27-3/4	17-13/16	20-1/16 x 14-1/8

Horizontal Termination Framing



Horizontal Venting *Minimum* Requirements

H = Horizontal
V = Vertical



Consult venting chart in manual for options above minimum requirements

Requirement	BIR-20
(NG) Vertical Min	24 + 90° Elbow
(NG) Horizontal Min	6
(NG) Horizontal Max	4 ft.