

QUALITY FIREPLACES FOR LIFE.


KOZY HEAT
FIREPLACES

Springfield 36 shown with an
Arched Mission Screen front with
optional LedgeStone refractory



SPRINGFIELD 36

DIRECT VENT FIREPLACE



Springfield 36 shown with a Full Rectangle Brushed Nickel screen front and optional Masonry Refractory

THE SPRINGFIELD 36

The **Springfield** offers the unique feature of a “deep” firebox in a 36” fireplace that, when combined with our hand-painted logs, ember bed lighting and impressive flames, will make you forget that you aren’t sitting by a traditional wood-burning fireplace. Enjoy the safety and convenience of a gas direct-vent fireplace and customize your fireplace with a variety of fronts and interior options. The **Springfield** is the perfect fireplace for heating up your home on a cold night, and proves that good things come in small packages.

FIREPLACE OPTIONS, ACCESSORIES & CONTROL

Fronts



Rectangle Screen Front
No Refractory



Arched Prairie Screen Front
with optional Enamel Refractory



Full Rectangle Screen Front
with optional Brick Refractory



Rectangle Full Prairie Screen Front with
optional Masonry Refractory



Arched Full Prairie Door
with optional LedgeStone Refractory



Rectangle Mission with
optional LedgeStone Refractory



Arched Mission
with optional Brick Refractory

Optional Refractory



Traditional Brick



Rustic Brick



LedgeStone



Masonry



Black Enamel

Springfield 36 comes standard with black firebox

Finish Options



Black



Antique Copper
Rectangle fronts only



Brushed Nickel
Rectangle fronts only

Decorative Finishes



Titanium
Prairie fronts only



Rust
Prairie fronts only



Vintage Bronze
Mission fronts only



Weathered Charcoal
Mission fronts only

Springfield 36 IPI Control



Komfort Kontrol Remote



KOMFORT KONTROL™

The Komfort Kontrol remote gives you the ability to bring comfort and green technology all together into your home. With the Komfort Kontrol remote, all you have to do is decide a comfortable set point temperature on your remote, and when the room temperature gets closer to the point you desire, the Komfort Kontrol remote will turn the flames down accordingly! With our zone heating, you can save energy and enjoy time in the room you use the most by just turning down the central heat, setting your Komfort Kontrol remote, and enjoying your time around the fireplace with friends, family or just a good book! That way, you'll get to have heat where and when you need it while saving energy and money with just a click of the Komfort Kontrol remote!

Burn Video



SPECIFICATIONS

Fireplace brochures are for advertising purposes only. Refer to the specific fireplace manual for installation.

Model	Springfield 36
Height	30"
Width	35-3/4"
Back Width	25-5/16"
Depth	19-3/4"
Weight	210 lbs
Viewing Area	29-5/8" x 21-13/16"
BTU NG High / Low	35,000 / 18,000
BTU LP High / Low	35,000 / 18,000
ENERGUIDE P.4 NG / LP	77.5% / 76.86%
Steady State NG / LP	79.55% / 78.43%
AFUE % NG / LP	73.88% / 72.16%
Valve System	IPI
Optional Refractory	Ledgestone, Masonry, Traditional Brick, Rustic Brick, Black Enamel
Ceramic Glass	Standard
Fan Kit	Standard
Ember Bed Lighting	Standard
Screen Front	Required

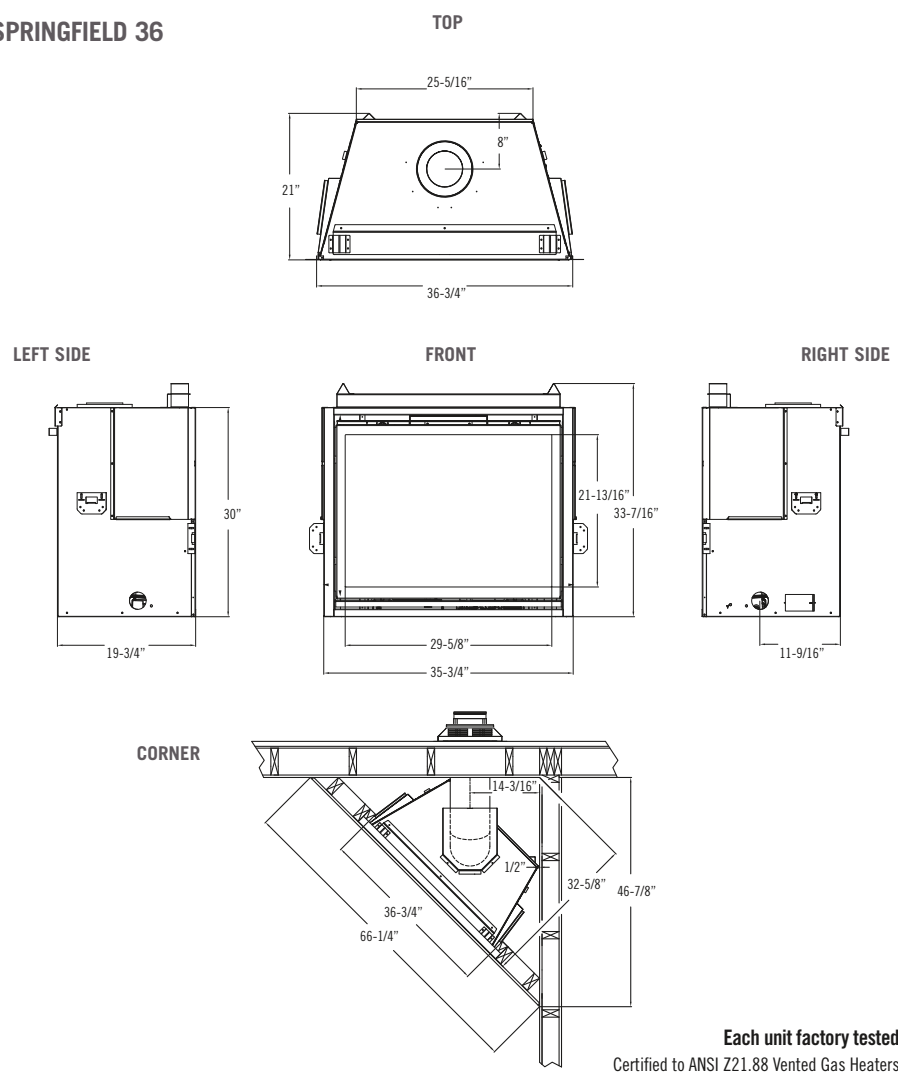
Features, Options & Specifications are subject to change.

Clearances

Model	Springfield 36
From Fireplace Top to 3/4" Trim	4"
From Unit Left & Right Sides & Back Standoffs	0"
From Fireplace Corners	1/2"
From Appliance Front	36"
Fireplace Bottom Standoffs to Flooring	0"
Fireplace Top to Ceiling	29-1/4"
Fireplace Enclosure Floor to 3/4" Trim	35"
Fireplace Enclosure Floor to Combustible Mantel 4" Maximum Depth	37"
Unit side to adjacent parallel sidewall	6"
Minimum Height of Fireplace Enclosure	59-1/4"

Refer to the installation manuals for complete installation & venting requirements. See additional mantel clearance configurations in the installation manual.

SPRINGFIELD 36



Vent System Approval & Requirements

This fireplace is manufactured to accept 5 x 8 rigid and flex pipe. A 5" x 8" to a 4" x 6-5/8" vent deceiver may be used for horizontal or vertical vent runs for DuraVent and Selkirk vent systems. This appliance can be adapted to use 3" x 3" flexible co-linear vent pipes when used in combination with an existing minimum 6" x 8" ID masonry or 7" ID class A metal chimney.

- Approved Venting Manufacturers:
- Kozy Heat™ 5" x 8" #800 Series Flexible Direct Vent System (Horizontal Terminations Only)
 - American Metal Products™ (Ameri-Vent)
 - BDM™
 - ICC™
 - Metal Fab™
 - Olympia Chimney Supply, Inc.
 - Security™
 - Selkirk™
 - Simpson Dura-Vent™

IMPORTANT: The vertical vent heat shield must be installed for all venting applications and configurations. The horizontal heat shield must be installed for minimum 5" x 8" horizontal venting.

Elbows: Maximum Number of 90° Elbows: 5
 For each additional 90° elbows used after the first elbow, 3 ft must be subtracted from maximum venting allowed
 For each 45° elbow used, 1-1/2' must be subtracted from maximum venting allowed. (2) 45° elbows may be used in place of (1) 90° elbow. Note (2) 45° elbows = (1) 90° elbow.

Horizontal, Vertical, Deceaser, and Combination Venting:
 Refer to the Manual

In order to continually provide the highest quality product available, features/options, specifications & dimensions are subject to change. Refer to the unit installation manual for complete installation instructions. Installation must conform with local building codes. **In some regions it may be possible that this appliance qualifies for an energy rebate. See your local dealer for details regarding promotions and qualifications.**

Manufactured by Hussong Mfg. Co., Inc.
 204 Industrial Park Drive, Lakefield, MN 56150
 Phone 1-800-253-4904 www.kozyheat.com

9-18



Product Line:



For complete information on the Kozy Heat product line, please contact us at:

FOR CALIFORNIA RESIDENTS ONLY

California Proposition 65 Warning

WARNING: This product can expose you to chemicals including Carbon Monoxide, that is an externally vented by-product of fuel combustion, which is [are] known to the State of California to cause birth defects or other reproductive harm. For more information, visit www.P65Warnings.ca.gov.