

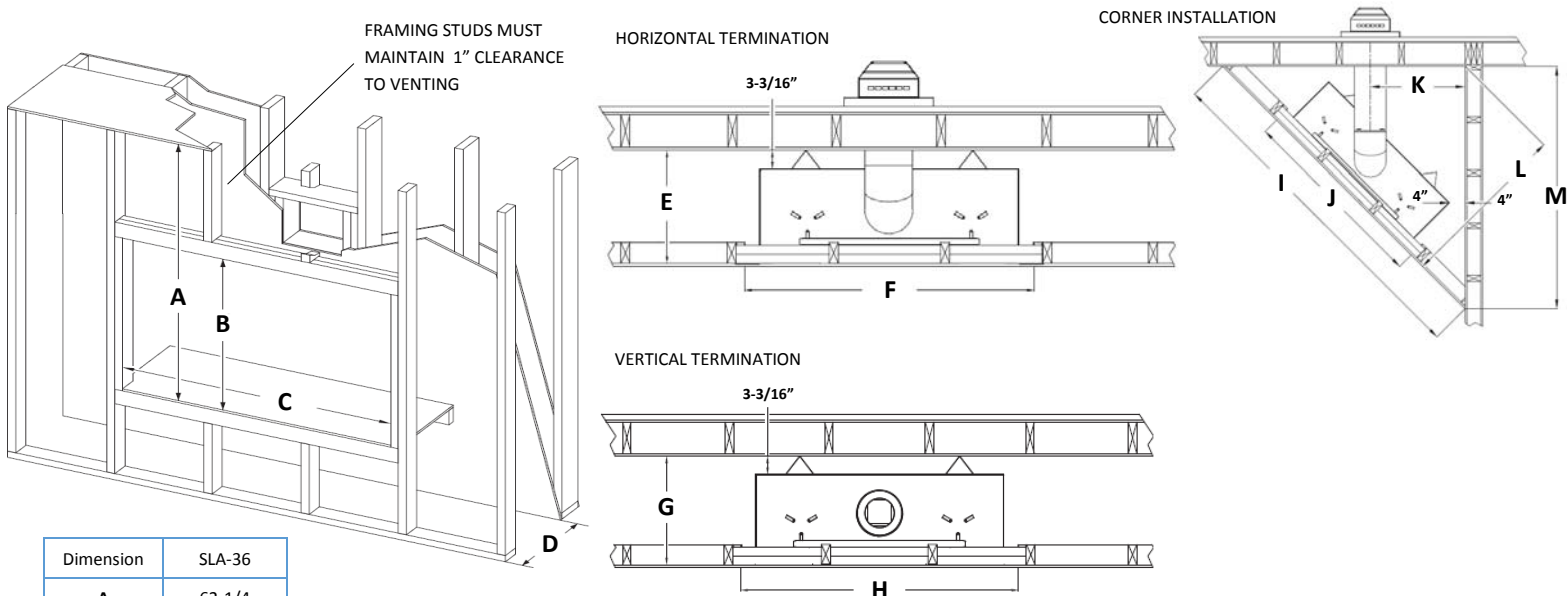
Please leave these reference guides at the installation location until the installation is finished. See owners manual for full installation and finishing instructions before making final decisions as information is subject to change.

## Specifications (all measurements are in inches)

• GAS LINE OPENING: LEFT/RIGHT SIDES • ELECTRICAL ACCESS: RIGHT SIDE

| Model  | BTU    | Height   |         | Front Width |         | Back Width |         | Depth    |         | Glass Viewing Area |
|--------|--------|----------|---------|-------------|---------|------------|---------|----------|---------|--------------------|
|        |        | Actual   | Framing | Actual      | Framing | Actual     | Framing | Actual   | Framing |                    |
| SLA-36 | 33,000 | 28-13/16 | 36-5/8  | 43-5/8      | 48-3/4  | 43-5/8     | 48-3/4  | 15-13/16 | 19      | 14 x 36            |

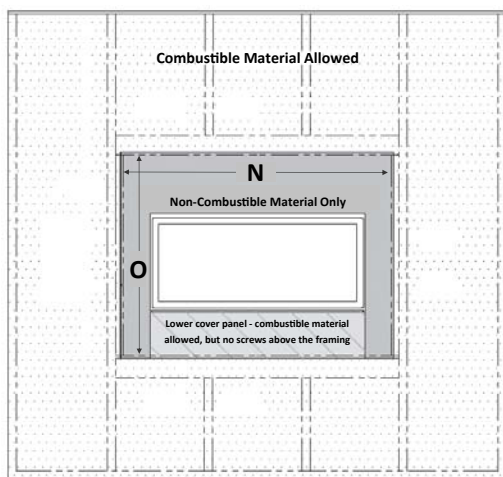
## Framing Opening



| Dimension | SLA-36 |
|-----------|--------|
| A         | 62-1/4 |
| B         | 36-5/8 |
| C         | 48-3/4 |
| D         | 19     |

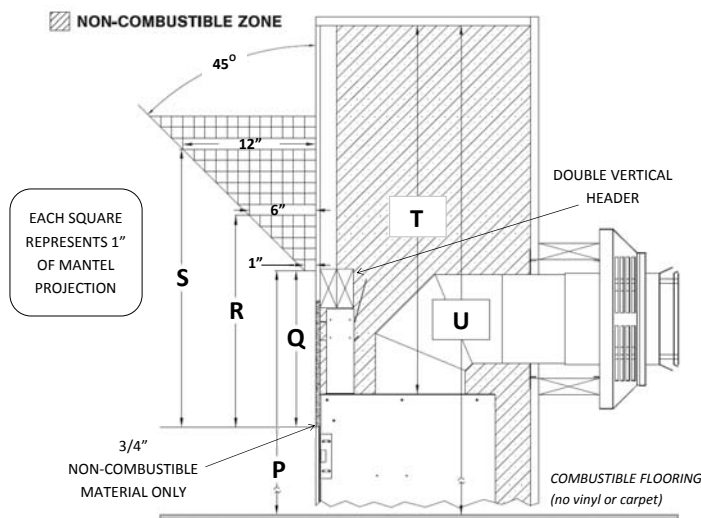
| E  | F      | G  | H      | I      | J      | K      | L      | M  |
|----|--------|----|--------|--------|--------|--------|--------|----|
| 19 | 48-3/4 | 19 | 48-3/4 | 87-3/4 | 48-3/4 | 24-1/4 | 43-7/8 | 62 |

## Finishing Clearances



| Dimension | SLA-36 |
|-----------|--------|
| N         | 50-1/4 |
| O         | 38-1/8 |

## Mantel Clearances



| Dimension |        |        |        |        |        |
|-----------|--------|--------|--------|--------|--------|
| P         | Q      | R      | S      | T      | U      |
| 40        | 14-1/4 | 19-1/4 | 25-1/4 | 33-3/8 | 62-1/4 |

## Finish Trim Kit

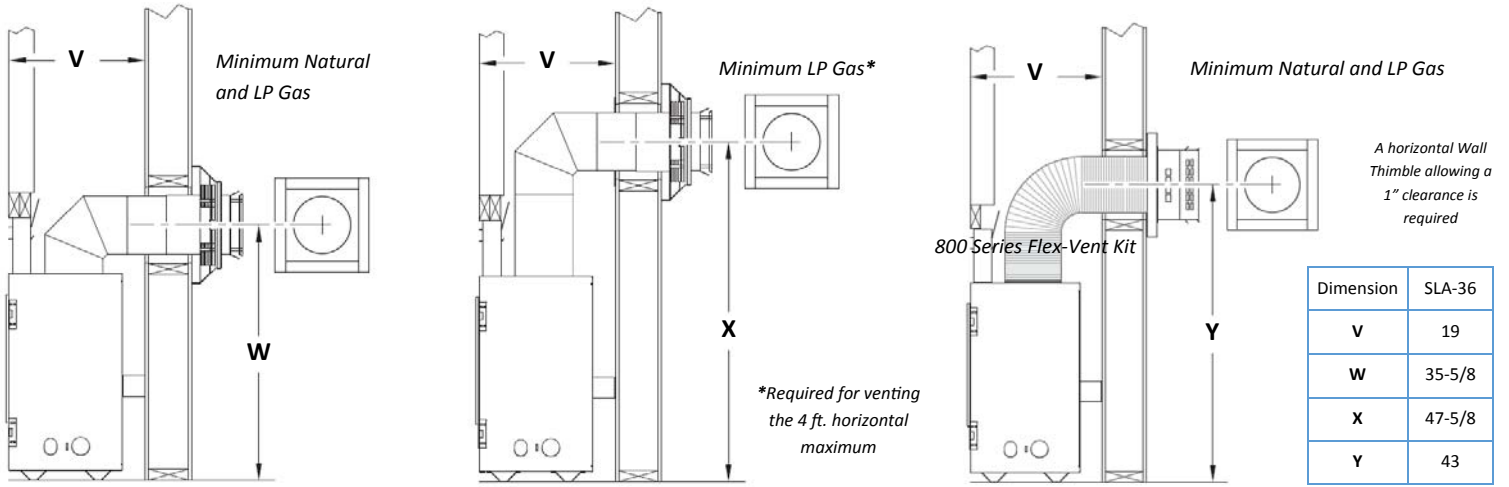


Important!

If you are finishing around the fireplace with tile or stone make sure that you install the **Finishing Trim Kit** at the framing stage.

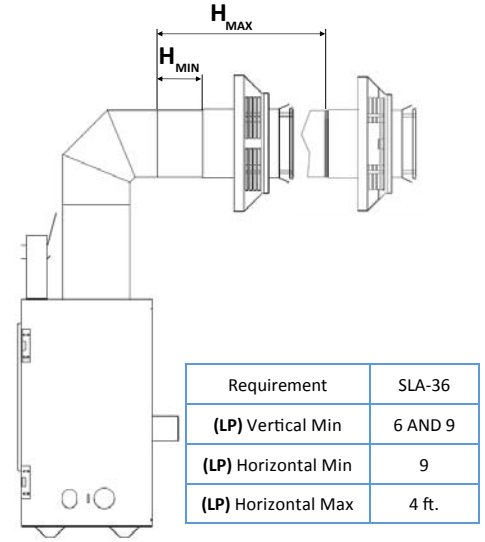
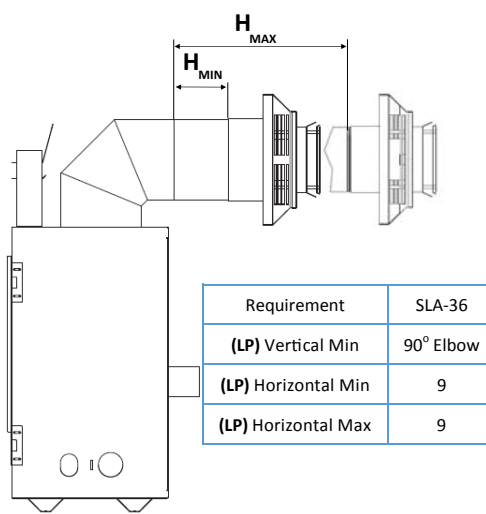
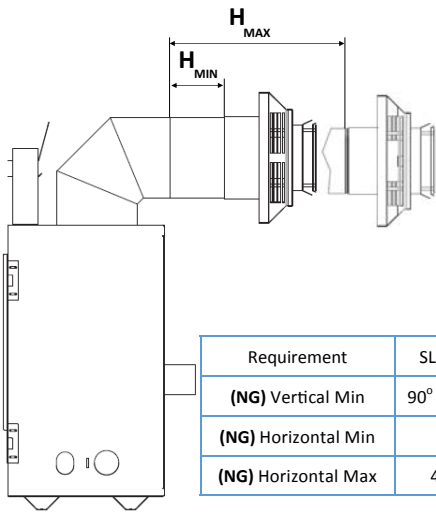
The trim kit allows for your finishing board and your tile/stone to finish up against, creating a shadowbox for the face to sit inside.

## Horizontal Termination Framing



## Horizontal 5" X 8" Venting Minimum Requirements

Note specific gas type minimums



Consult venting chart in the manual for all options above minimum requirements

H = Horizontal  
V = Vertical

## 4" x 6-5/8" Decreaser Minimum Requirements

