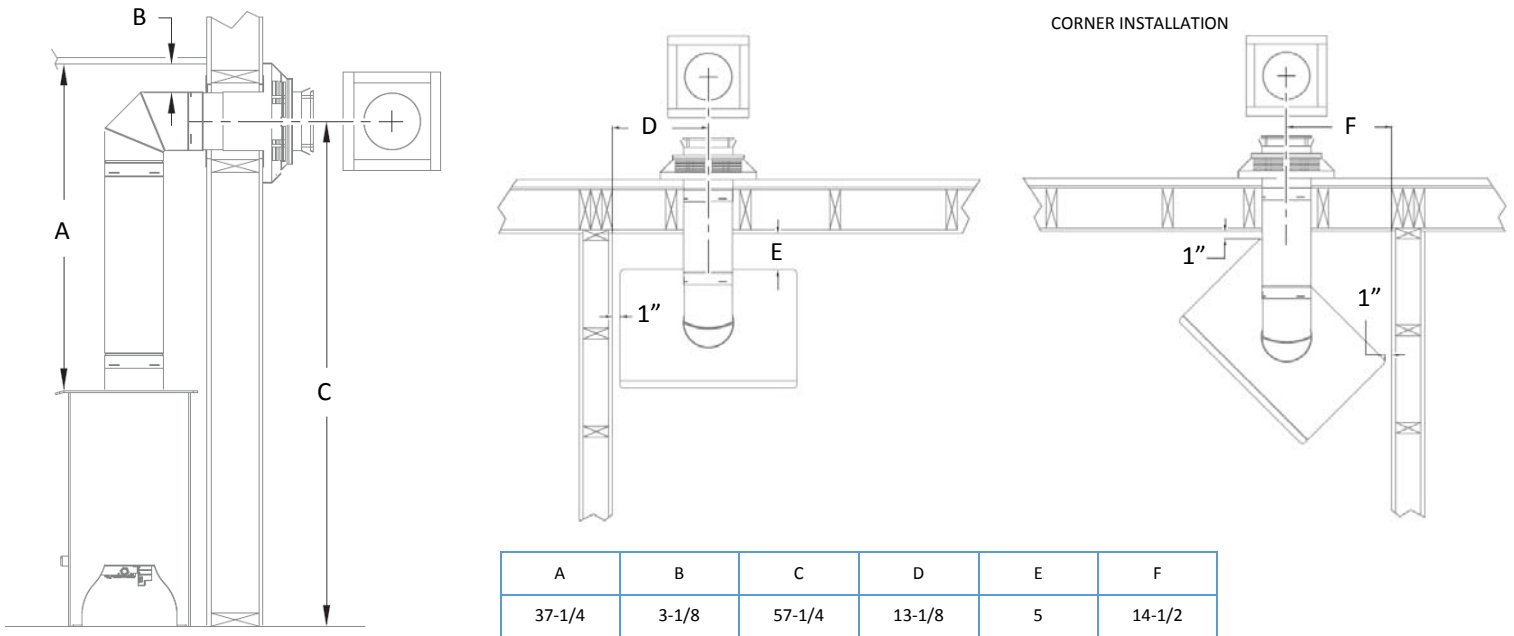


Please leave these reference guides at the installation location until the installation is finished. See owners manual for full installation instructions before making final decisions as information is subject to change.

## Specifications (all measurements are in inches)

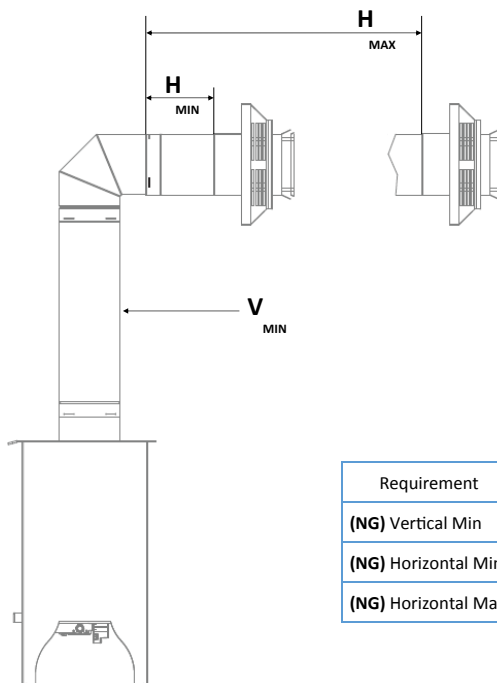
| Model  | BTU    | Height | Front Width | Back Width | Depth   | Glass Viewing Area |
|--------|--------|--------|-------------|------------|---------|--------------------|
| OAK-18 | 24,500 | 26-3/4 | 22-7/16     | 22-7/16    | 16-5/16 | 16-3/8 x 10-15/16  |

## Horizontal Termination Framing



## Horizontal Venting *Minimum* Requirements

H = Horizontal  
V = Vertical



*Consult venting chart in manual for options above minimum requirements*

| Requirement         | OAK-18         |
|---------------------|----------------|
| (NG) Vertical Min   | 24 + 90° Elbow |
| (NG) Horizontal Min | 6              |
| (NG) Horizontal Max | 4 ft.          |