

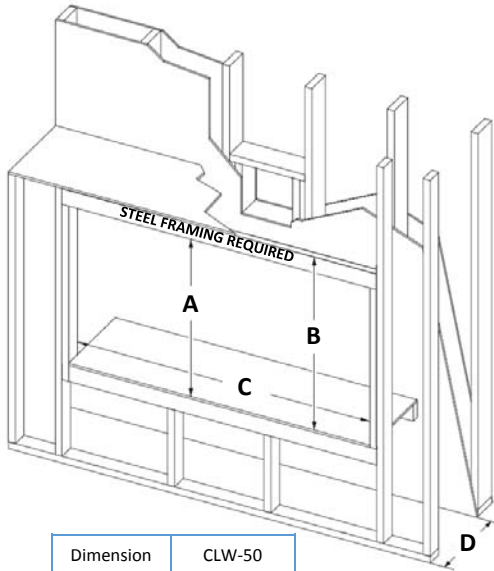
Please leave these reference guides at the installation location until the installation is finished. See owners manual for full installation and finishing instructions before making final decisions as information is subject to change.

## Specifications (all measurements are in inches)

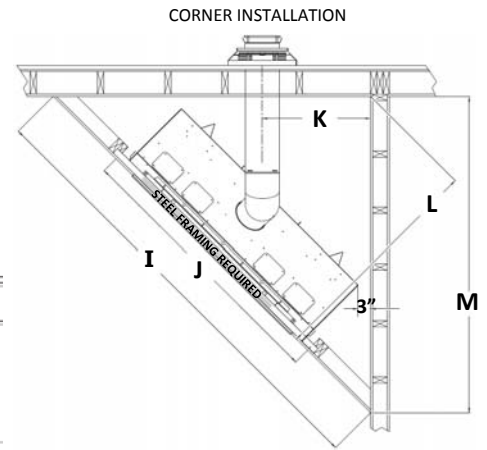
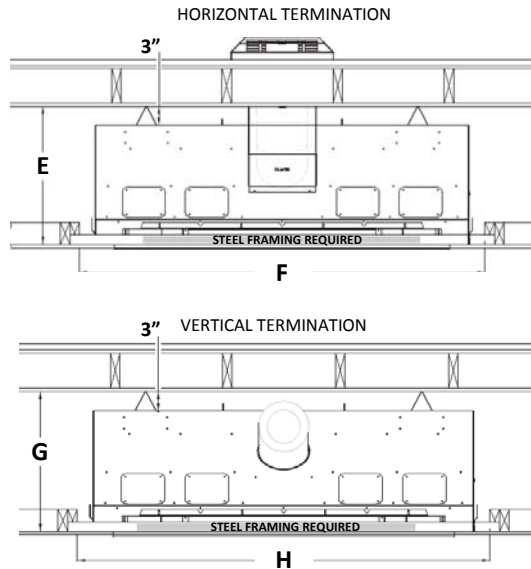
• GAS LINE OPENING: LEFT SIDE • ELECTRICAL ACCESS: RIGHT SIDE

Model	BTU	Height		Front Width		Back Width		Depth		Glass Viewing Area
		Actual	Framing	Actual	Framing	Actual	Framing	Actual	Framing	
CLW-50	35,500 (NG) 35,000 (LP).	39	44-1/2	59-1/2	64-1/2	59-1/2	64-1/2	18-15/16	22	49-7/8 x 13-3/8

## Framing Opening

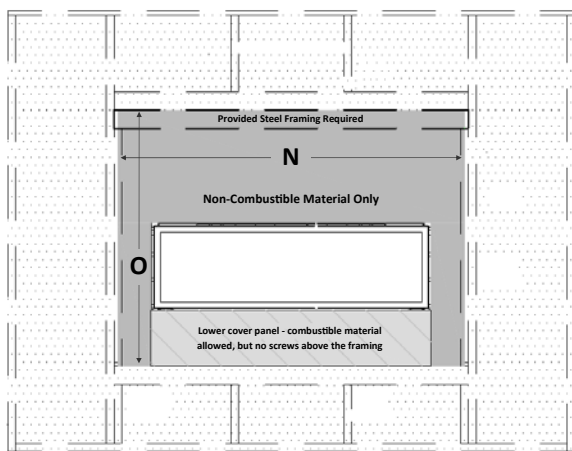


Dimension	CLW-50
A	44-1/2
B	48
C	64-1/2
D	22



E	F	G	H	I	J	K	L	M
22	64-1/2	22	64-1/2	106-13/16	64-1/2	25-7/8	53-7/16	75-9/16

## Finishing Clearances



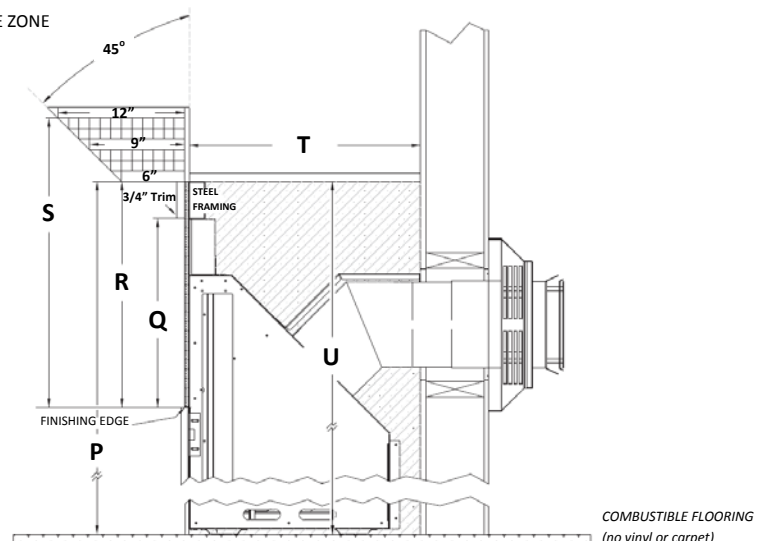
■ Non-Combustible Material Only    ▨ Combustible Material Allowed

Dimension	CLW-50
N	66
O	48-3/4

## Mantel Clearances

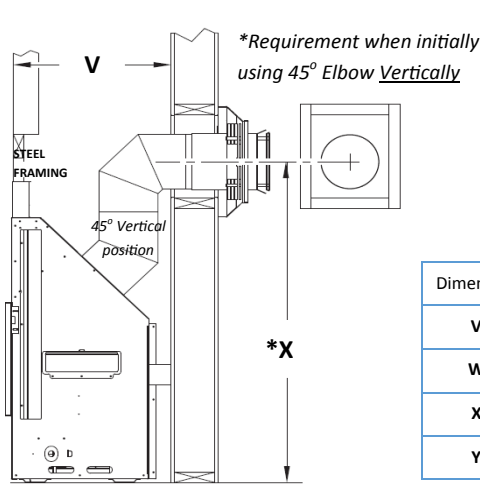
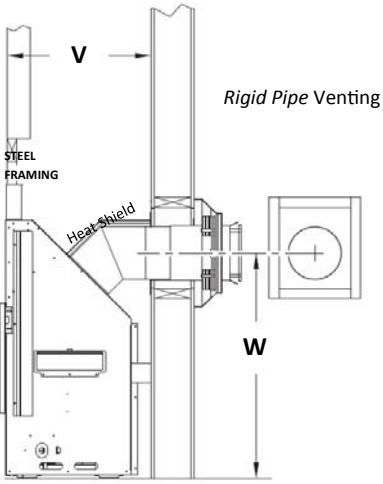
▨ NON-COMBUSTIBLE ZONE

MANTEL PROJECTION:  
Each square represents 1" of projection

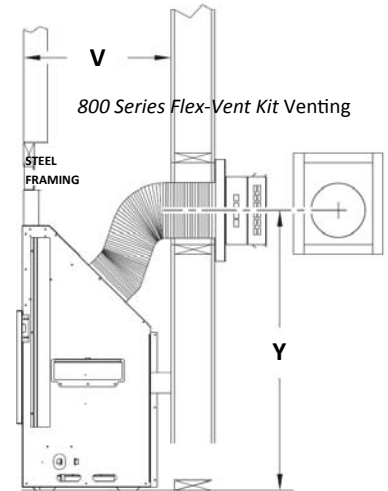


Dimension					
P	Q	R	S	T	U
48	18	21-1/2	27-1/2	22	48

# Horizontal Termination Framing

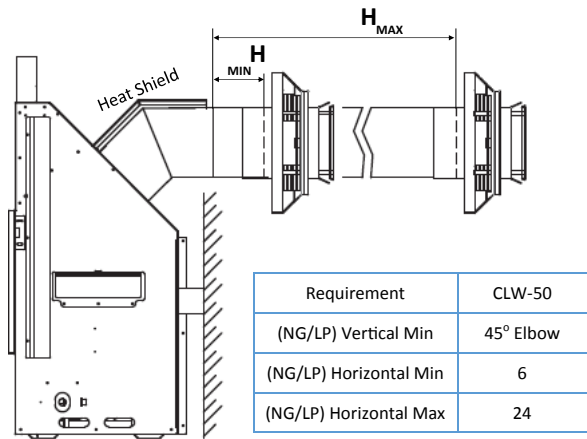


A Kozy Heat #800-WPT series wall pass thru is required with use of the flex-vent kit.



Dimension	CLW-50
V	22
W	34-3/8
X	44-3/4
Y	42

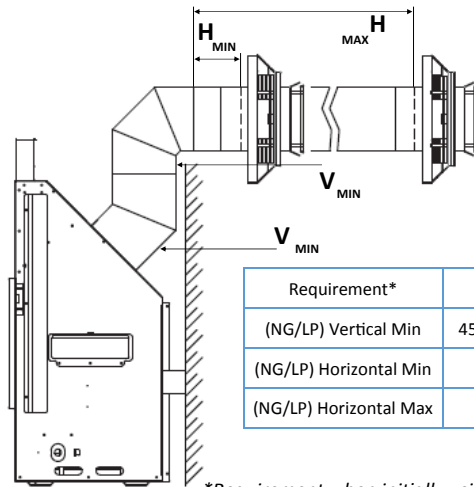
## Horizontal 5" X 8" Venting *Minimum* Requirements



Consult venting chart in the manual for all options above minimum requirements

Requirement	CLW-50
(NG/LP) Vertical Min	45° Elbow
(NG/LP) Horizontal Min	6
(NG/LP) Horizontal Max	24

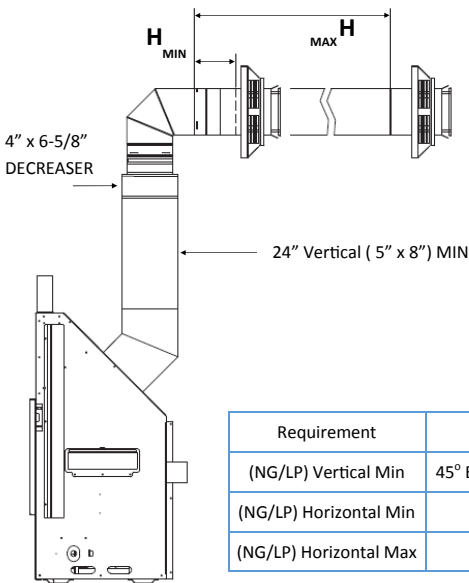
H = Horizontal  
V = Vertical



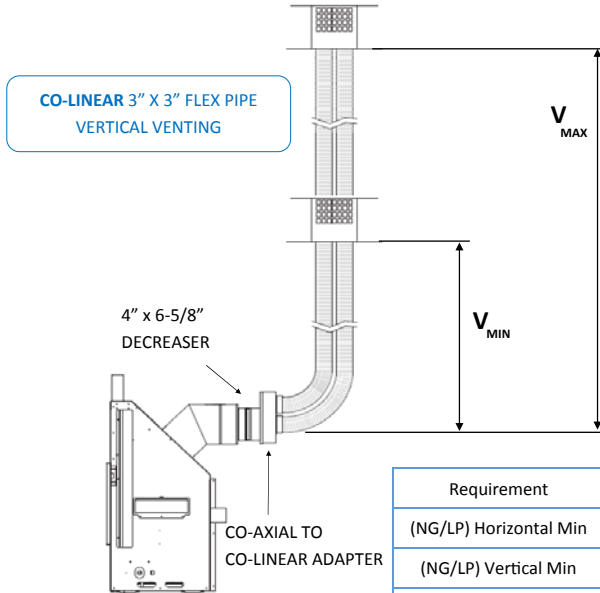
Requirement*	CLW-50
(NG/LP) Vertical Min	45° Elbow + 90° Elbow
(NG/LP) Horizontal Min	6
(NG/LP) Horizontal Max	48

\*Requirement when initially using 45° Elbow Vertically

## 4" x 6-5/8" Decreaser *Minimum* Requirements

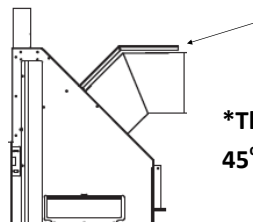


Requirement	CLW-50
(NG/LP) Vertical Min	45° Elbow + 24" + Decreaser
(NG/LP) Horizontal Min	90° Elbow
(NG/LP) Horizontal Max	48



Requirement	CLW-50
(NG/LP) Horizontal Min	45° Elbow + Decreaser
(NG/LP) Vertical Min	10
(NG/LP) Vertical Max	50 ft.

## Heat Shield Requirements



\*The horizontal vent heat shield must be installed when using a horizontal 45° elbow of the back of the appliance