

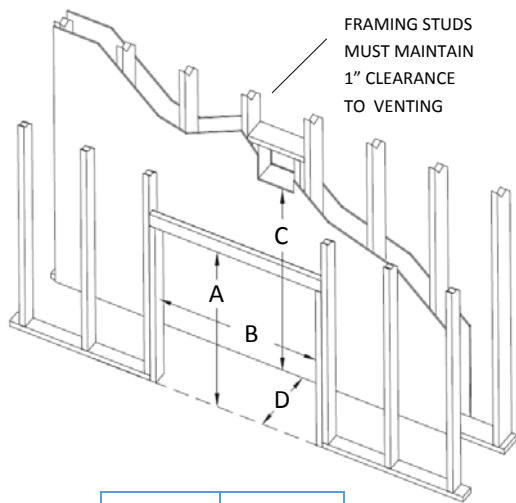
Please leave these reference guides at the installation location until the installation is finished. See owners manual for full installation and finishing instructions before making final decisions as information is subject to change.

Specifications (all measurements are in inches)

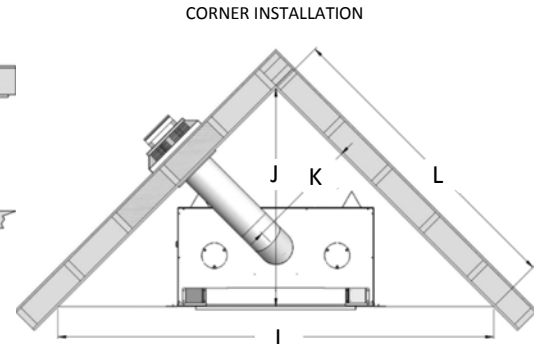
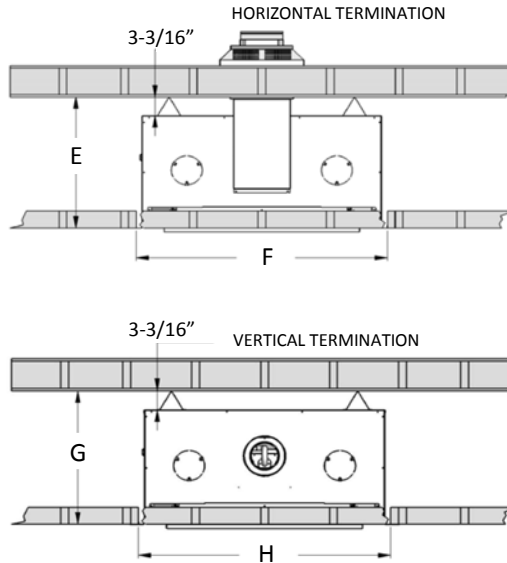
• GAS LINE OPENING: RIGHT SIDE • ELECTRICAL ACCESS: LEFT SIDE

Model	BTU	Height		Front Width		Back Width		Depth		Glass Viewing Area
		Actual	Framing	Actual	Framing	Actual	Framing	Actual	Framing	
ALP-36S	48,000	41-11/16	47	46-1/2	48-3/4	46-1/2	48-3/4	23-3/8	27-1/4	35-3/16 x 29-7/8

Framing Opening

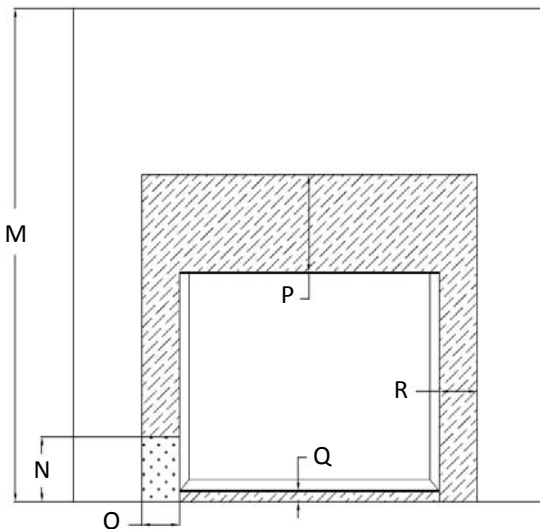


Dimension	ALP-36S
A	47
B	48-3/4
C	58-3/8
D	27-1/4



E	F	G	H	I	J	K	L
27-1/4	48-3/4	27-1/4	48-3/4	103-3/8	51-11/16	26-5/8	73-1/8

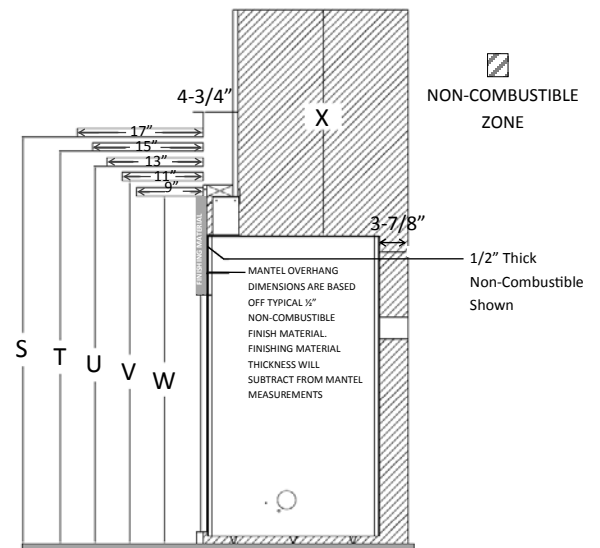
Recess Framing



- COMBUSTIBLE MATERIAL ALLOWED
- NON-COMBUSTIBLE ZONE
- NON-COMBUSTIBLE ZONE - NO SCREWS ALLOWED -

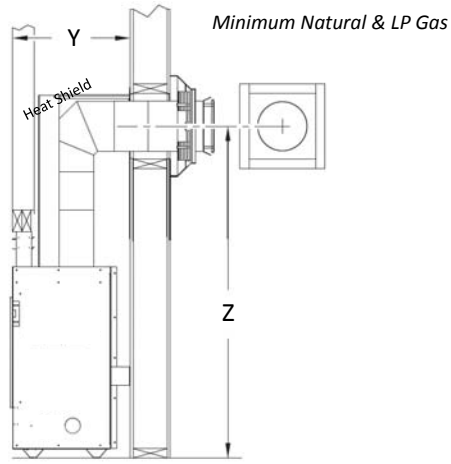
Dimension					
M	N	O	P	Q	R
72	9-7/16	5-3/8	14-1/2	1-9/16	5-3/8

Mantel Clearances

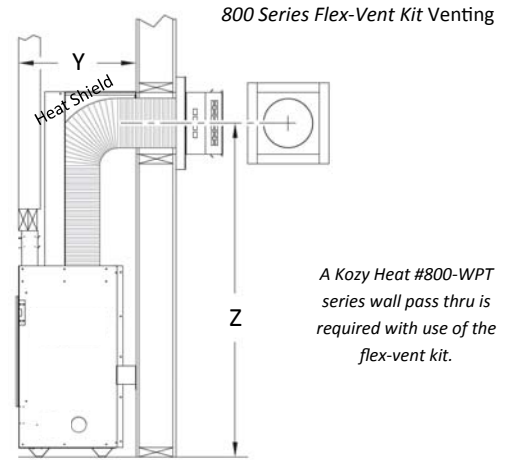


Dimension					
S	T	U	V	W	X
55	53	51	49	47	30-5/16

Horizontal Termination Framing

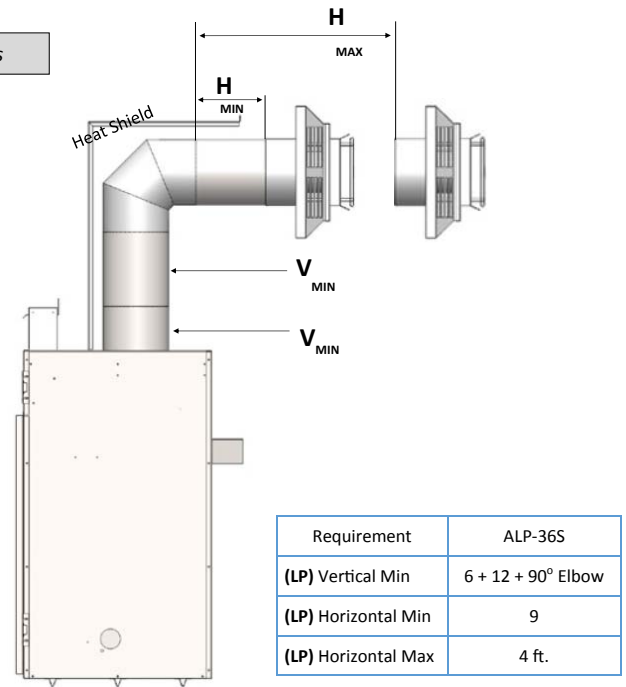
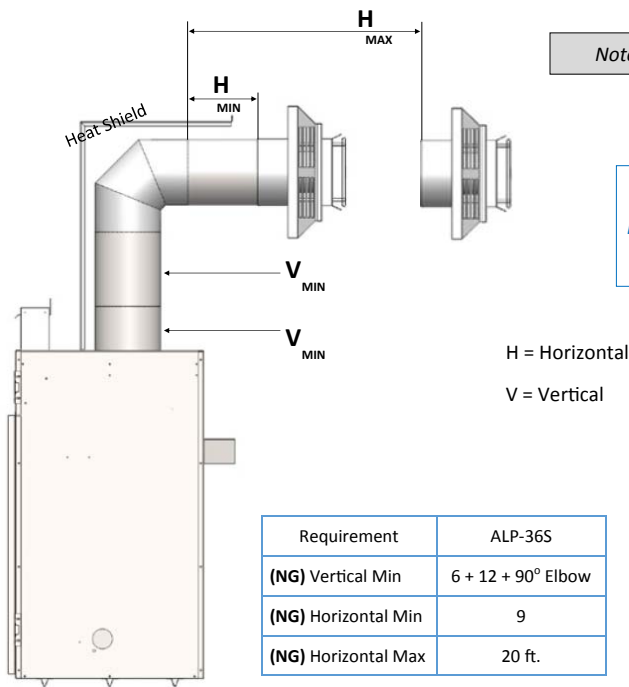


Dimension	ALP-36S
Y	27-1/4
Z	64

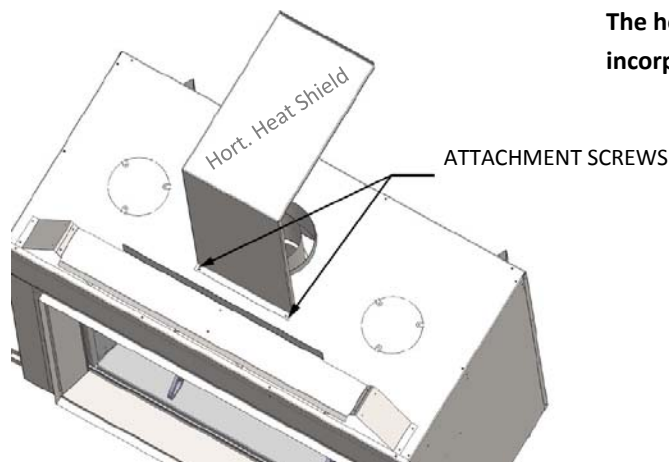


A Kozy Heat #800-WPT series wall pass thru is required with use of the flex-vent kit.

Horizontal Venting Minimum Requirements



Heat Shield Requirements



The horizontal vent heat shield must be installed when incorporating minimum horizontal venting.