

For use with Callaway See-Thru (#CLW-ST), and Callaway 50 (#CLW-50 & #CLW-50-MV).

READ ALL THESE STEPS BEFORE STARTING INSTALLATION. LEAVE THESE INSTRUCTIONS WITH THE APPLIANCE.

This kit must be installed by a qualified installer, service agency, or gas supplier at the time of the heater installation. These instructions must be used in conjunction with the installation and operation manual provided with the appliance.

Please read all appliance owner’s manual completely before performing any procedures in these instructions.



1.0	Introduction.....	3
1.1	Kit Contents.....	3
1.2	Plenum Preparation.....	4
1.3	Suggested Configurations.....	5
1.4	Dimensions and Overview.....	7
1.5	Air Duct Run.....	8
2.0	Framing and Clearances.....	9
2.1	Clearance to Sprinkler & Ceiling.....	9
2.2	Plenum Framing.....	9
2.3	Enclosure Framing.....	12
3.0	Facing and Finishing.....	18
3.1	Non-Combustible Requirements.....	18
3.2	Facing and Finishing Requirements.....	20
3.3	Hearth, Mantel, and Sidewall Clearances.....	25
4.0	Fireplace Preparation & Installation.....	30
4.1	Callaway 50 & Callaway 50 MV.....	30
4.2	Callaway ST.....	33

English and French installation manuals are available through your local dealer. Visit our website www.kozyheat.com.

Les manuels d'installation en français et en anglais sont disponibles chez votre détaillant local. Visitez www.kozyheat.com.

INSTALLER: Leave this manual with the appliance.

CONSUMER: Retain this manual for future reference.

IMPORTANT: Failure to read and follow these instructions may create a possible hazard and will void the fireplace warranty.

1.0 Introduction

1.1 Kit Contents

ALL kit contents must be installed.

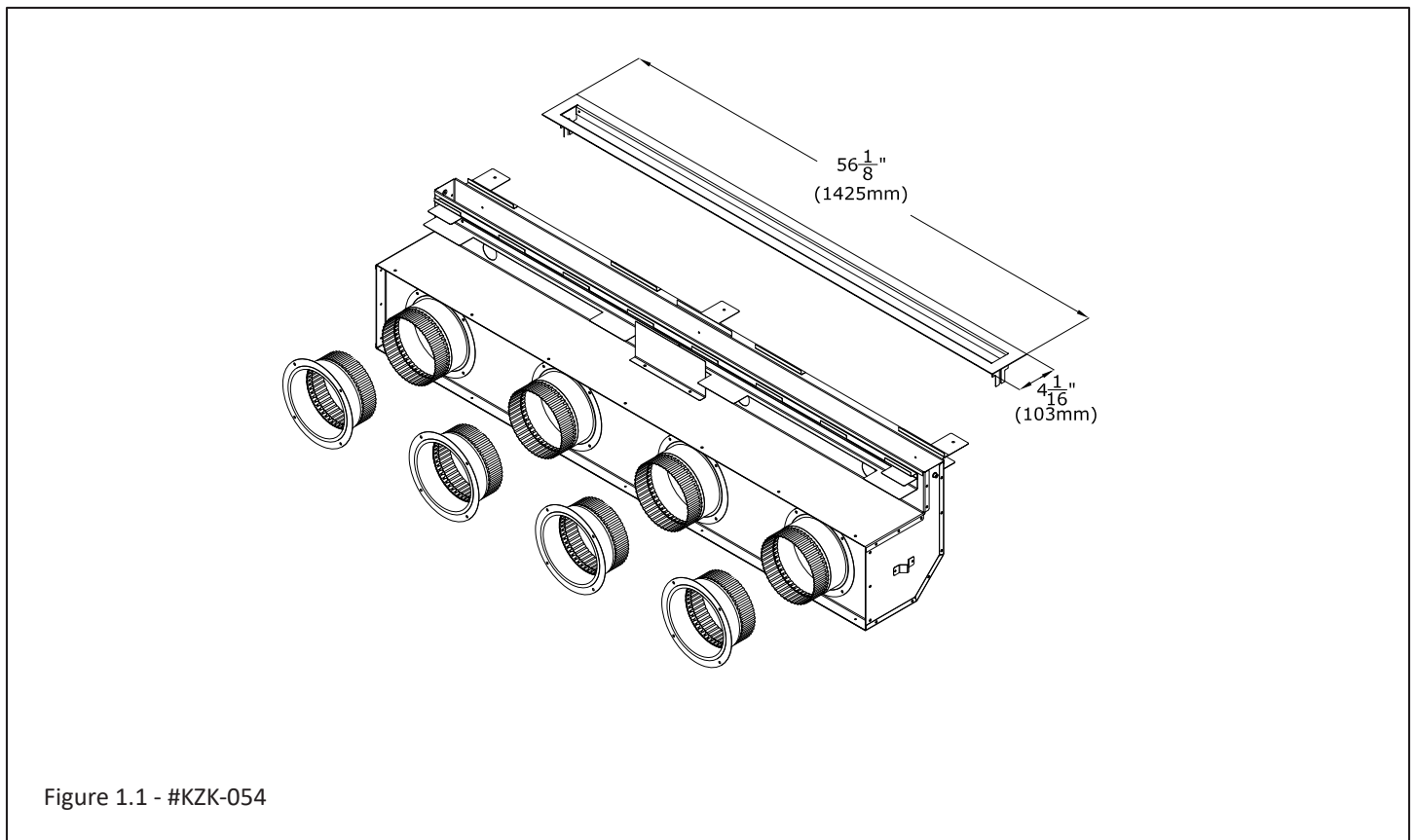
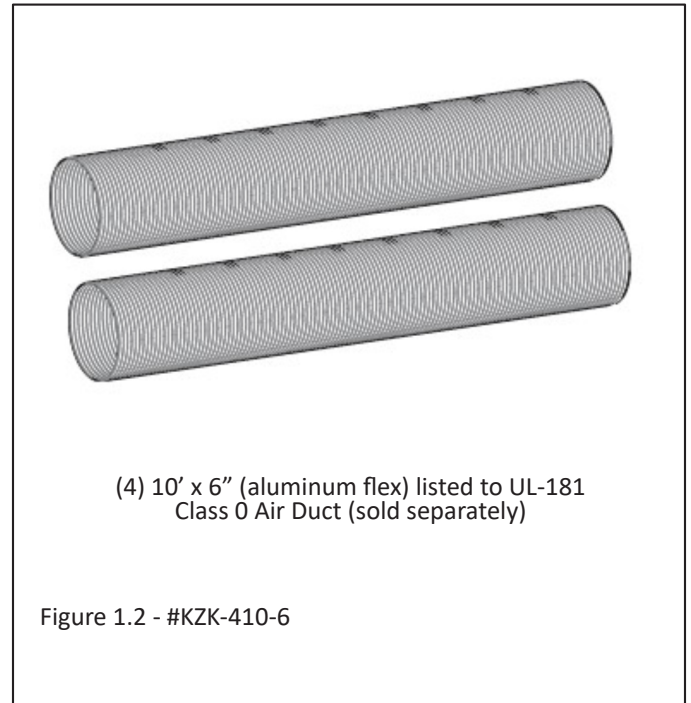
- (1) 54" plenum kit: KZK-054
- (1) plenum discharge trim: KZK-054DT
- (2) plenum support brackets
- (8) 6" collars - (4) to attach to the bottom of the plenum; (4) to attach to the unit where the cover plates are removed.

Additional Required Items

- (1) KZK-410-6 (sold separately) is used for a 10' (3.05m) vent run. If you are mounting the plenum above the fireplace 10' (3.05m) or less, use (1) KZK-410-6 kit.

Optional Items

- If you are mounting the plenum above the fireplace between 10' (3.05m) to 20' (6.10m), you will need (2) KZK-410-6 kits and (1) #KZK-CPL6 coupler kit. KZK-CPL6 (sold separately) is (4) 6" couplers that connect (2) KZK-410-6.



1.2 Plenum Preparation

- The plenum includes (5) openings for (4) plenum collars for installation of units #CLW-50, #CLW-50-MV, or #CLW-ST.

1.2.1 Callaway 50 & Callaway 50 MV

- The center cover plate does not need to be removed. Install (4) plenum collars to (4) openings.

1.2.2 Callaway ST

- For certain installations you may need to remove the center cover plate (Figure 1.3), and install a plenum collar in the center opening of the plenum. See Section 1.3 and Figure 1.5 for additional information.
- Install the cover plate in the corresponding left or right side that you need space to maintain clearances to the vent system or heat transfer kits (HTK-EXT or HTK-INT).

Instructions

1. Remove the (4) screws securing the center cover plate, as shown below.
2. Install the plenum collar to either the right or left side, depending on your installation.
3. Install cover plate to opening that is not used. Secure with (4) screws.

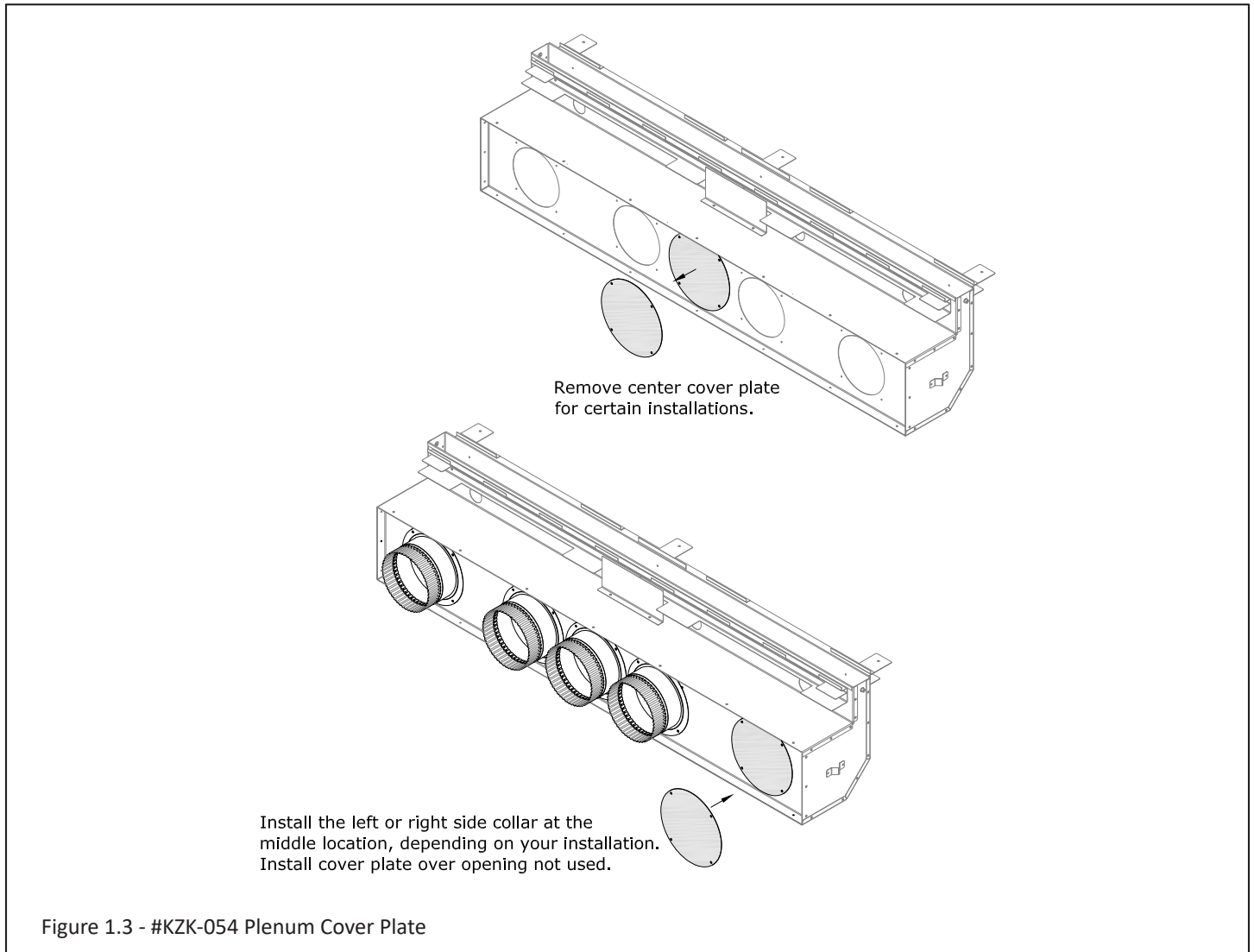


Figure 1.3 - #KZK-054 Plenum Cover Plate

1.3 Suggested Configurations

- When installing the #KZK-054, take in consideration the fireplace venting and the plenum tube configuration. You must install the KZK so all four aluminum flex tubes are connected between the fireplace and the KZK. Plenum air discharge must be on interior walls.

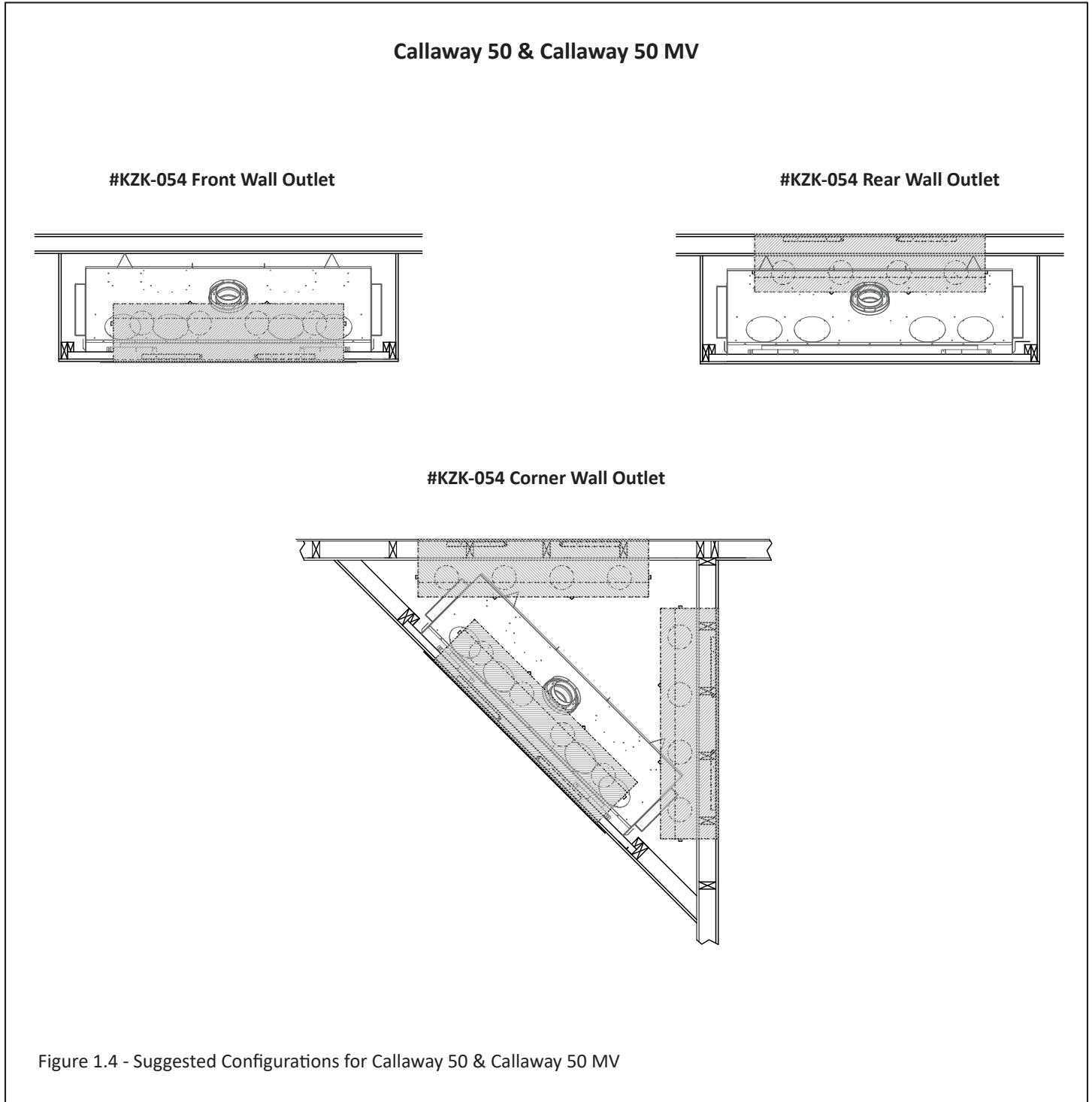
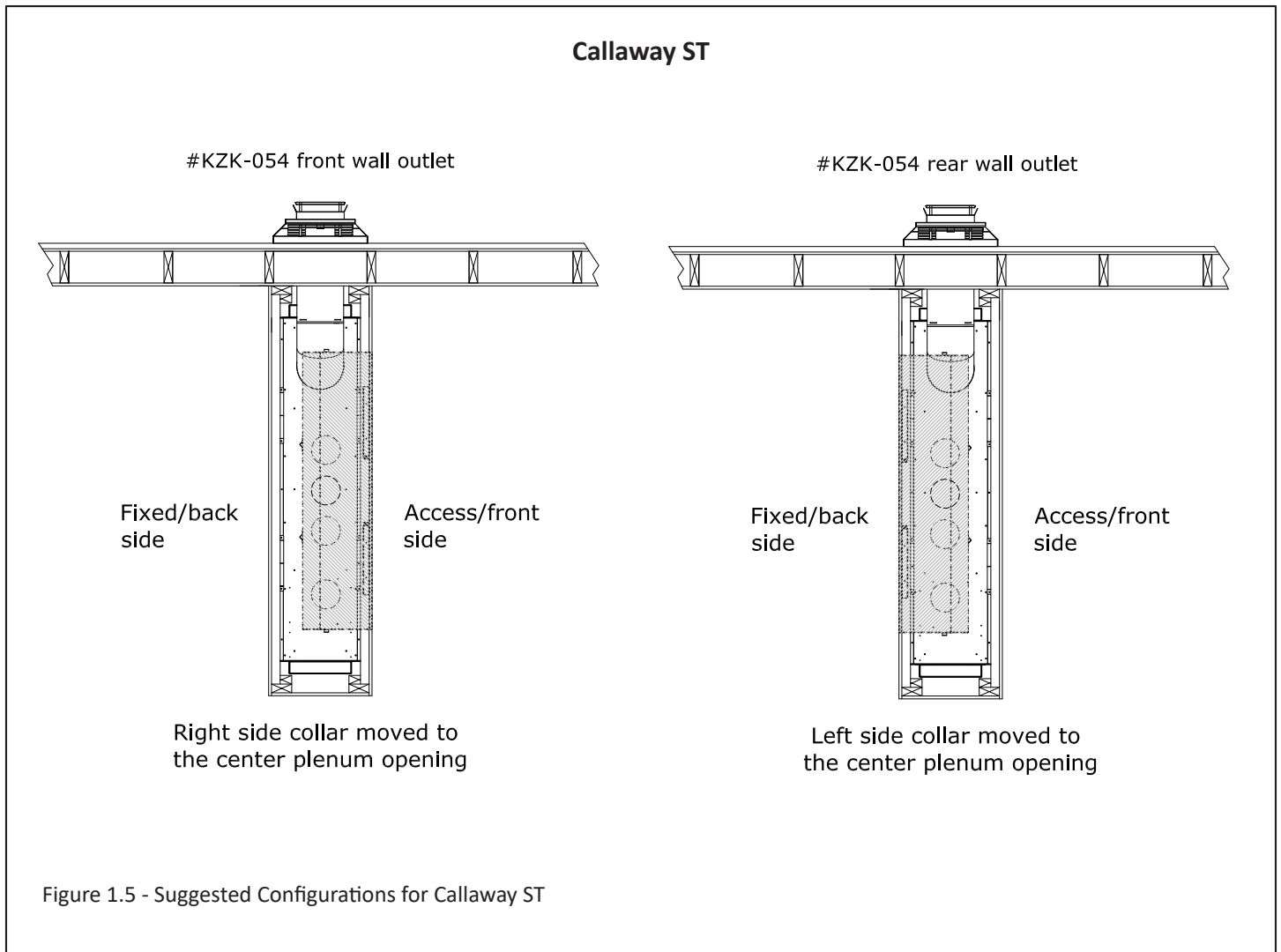


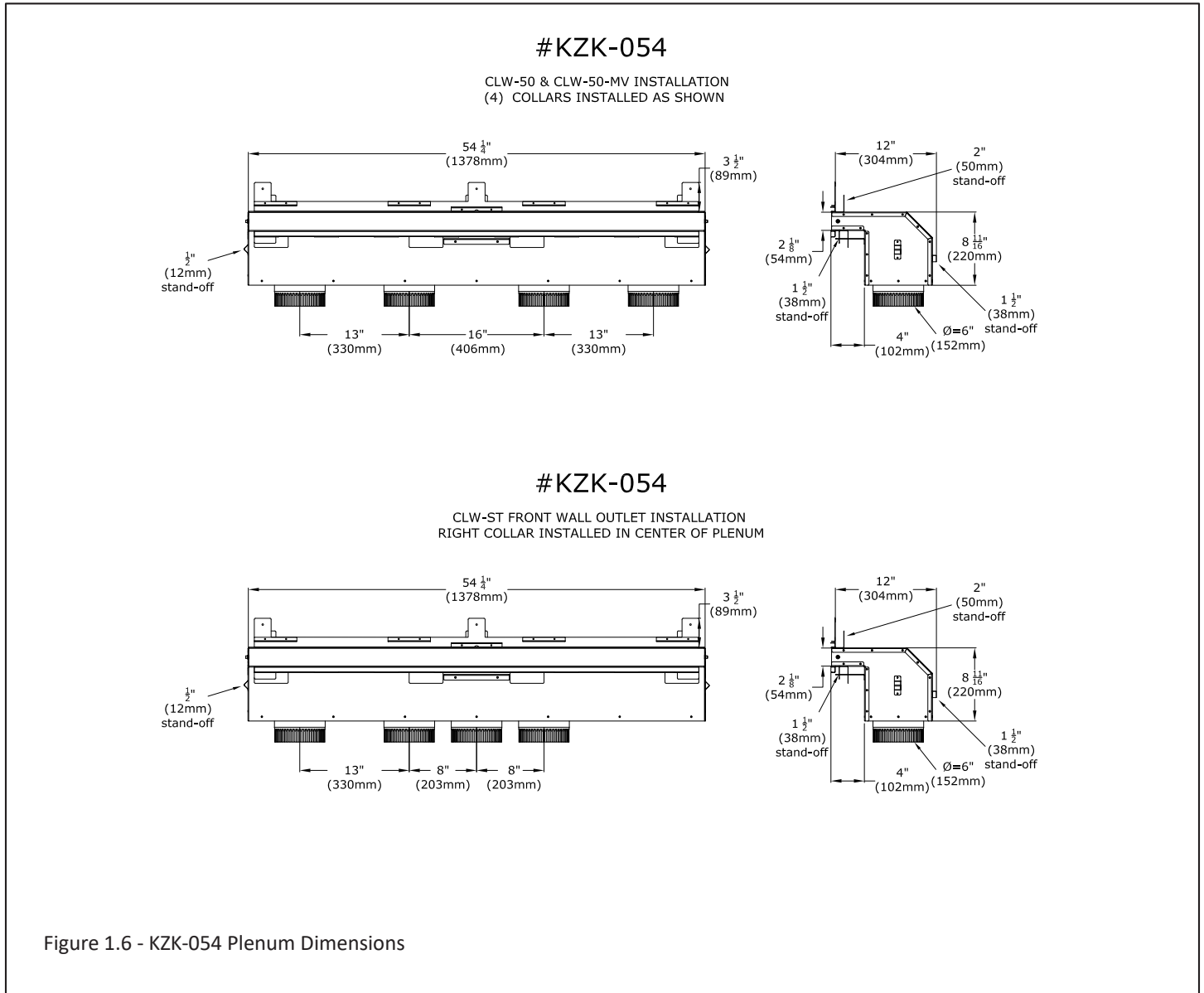
Figure 1.4 - Suggested Configurations for Callaway 50 & Callaway 50 MV

1.3 Suggested Configurations (continued)

- In certain installation scenarios the vent system may be in the path of the KZK plenum, collars, and aluminum flex tubes. Depending on which side of the room your KZK discharges you will move the left or right side collar to the middle location. You must install the KZK so all four aluminum flex tubes are connected between the fireplace and the KZK.
- The need to move a KZK collar on the plenum is affected by many installation variables such as fireplace enclosure height, fireplace enclosure width, KZK plenum location, and vent system configuration. See framing requirement in Section 2.3



1.4 Dimensions and Overview



1.5 Air Duct Run

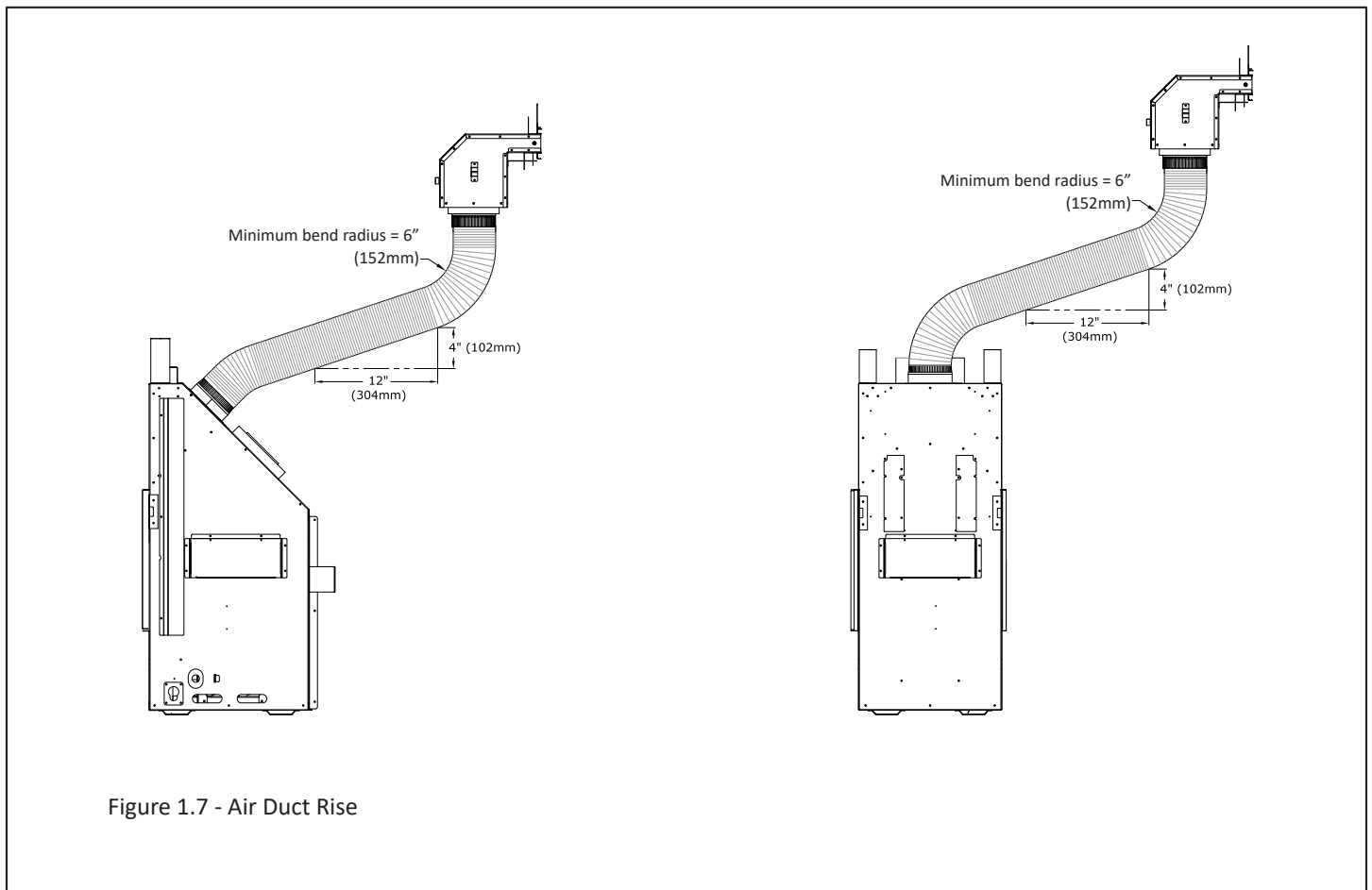
IMPORTANT: The air duct pipes cannot run horizontally without a vertical rise.

IMPORTANT: The 1/2" (13mm) clearance around the air duct pipes must be maintained.

Use #KZK-410-6 UL181 Class 0 Air Duct piping to connect the plenum to the unit.

Hussong Mfg. Co., Inc. requires air duct pipes to be listed as UL181 Class 0 Air Duct to connect the plenum to the unit.

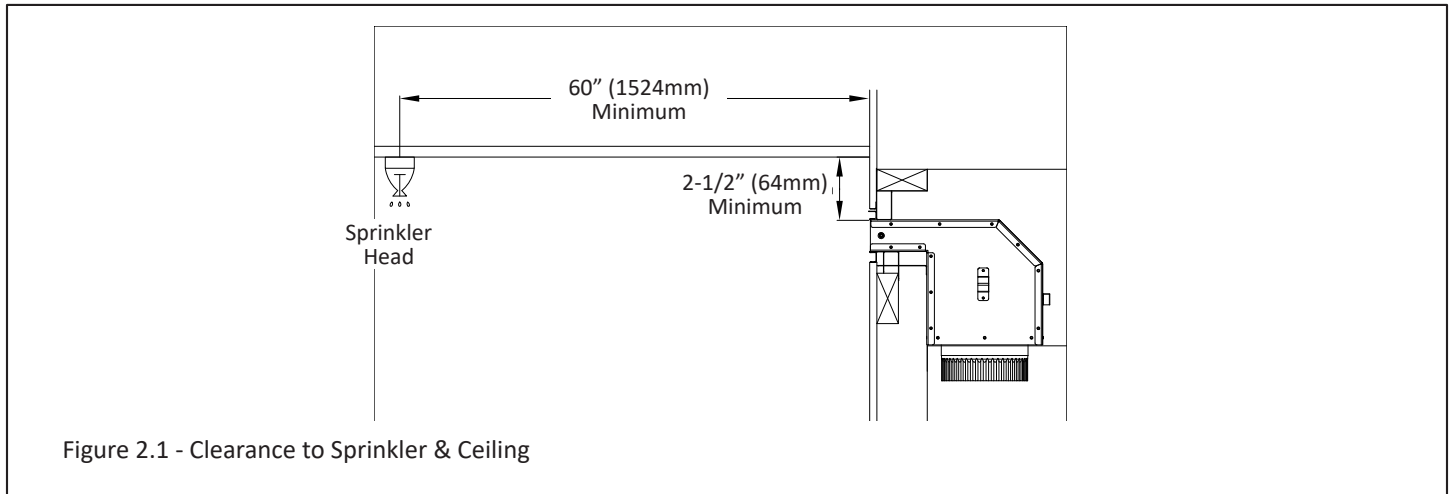
Maximum Vent Run: 20' (6.10m)



2.0 Framing and Clearances

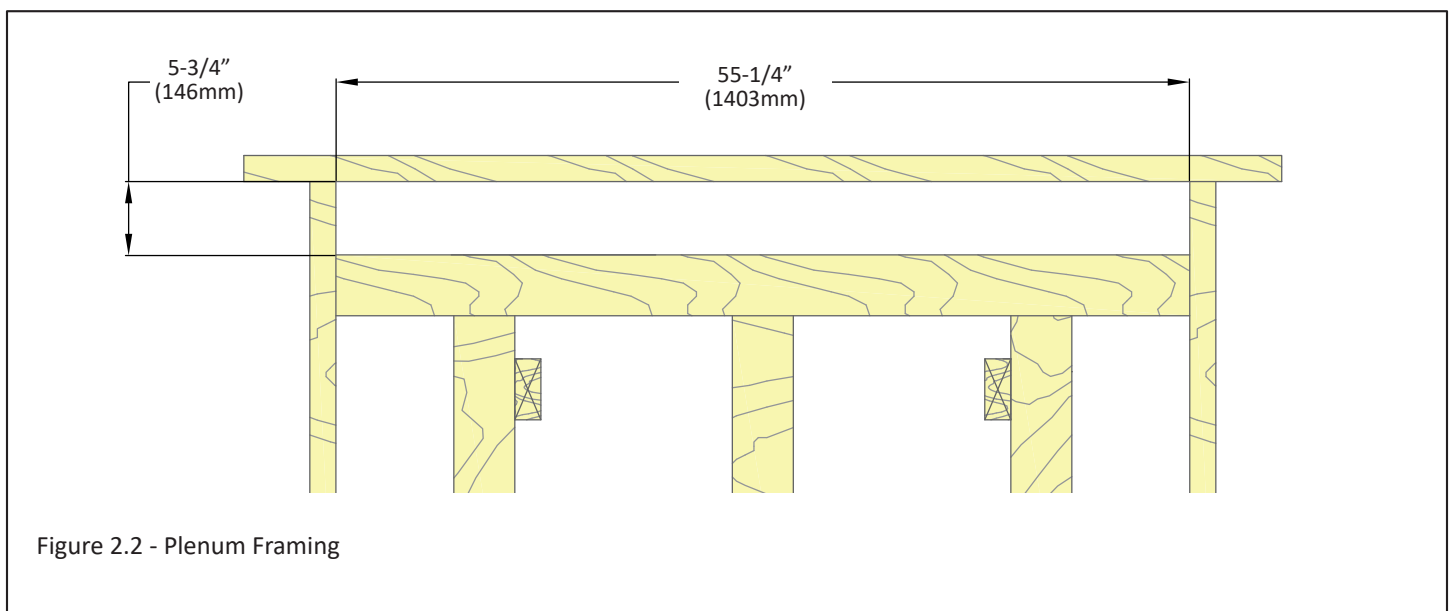
2.1 Clearance to Sprinkler & Ceiling

- In a situation where a sprinkler head is installed within the proximity to a #KZK discharge opening, the diagram below MUST be followed.
- The distance between a sprinkler head and discharge opening cannot be less than 60" (1524mm) in length at every point from the origin of the discharge opening. You must also verify the sprinkler head sensor is set to the proper heat setting so it does not activate when the room heats up from the fireplace being operated normally.
- Please follow local building codes to determine what temperature setting is relevant for your installation.

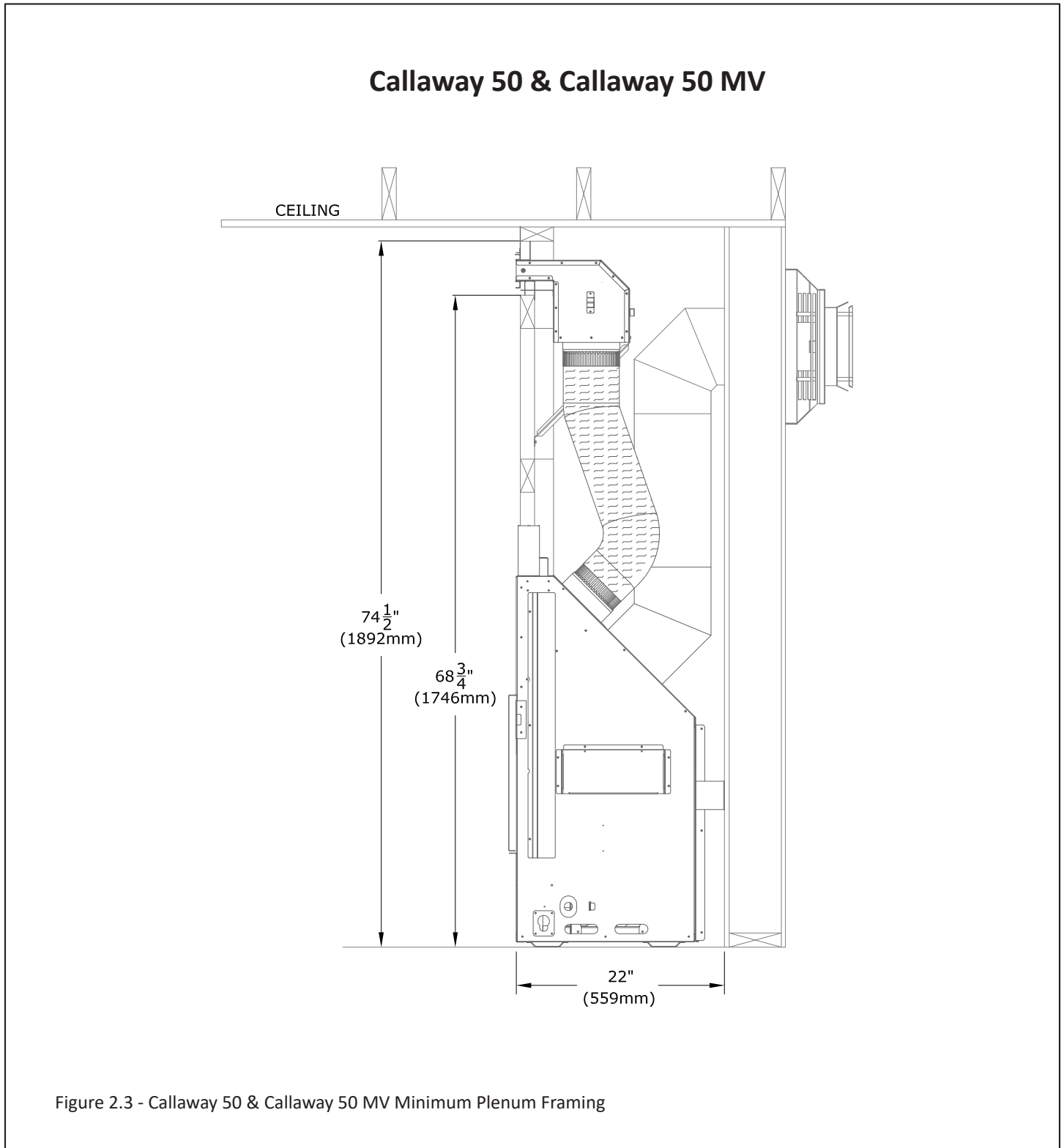


2.2 Plenum Framing

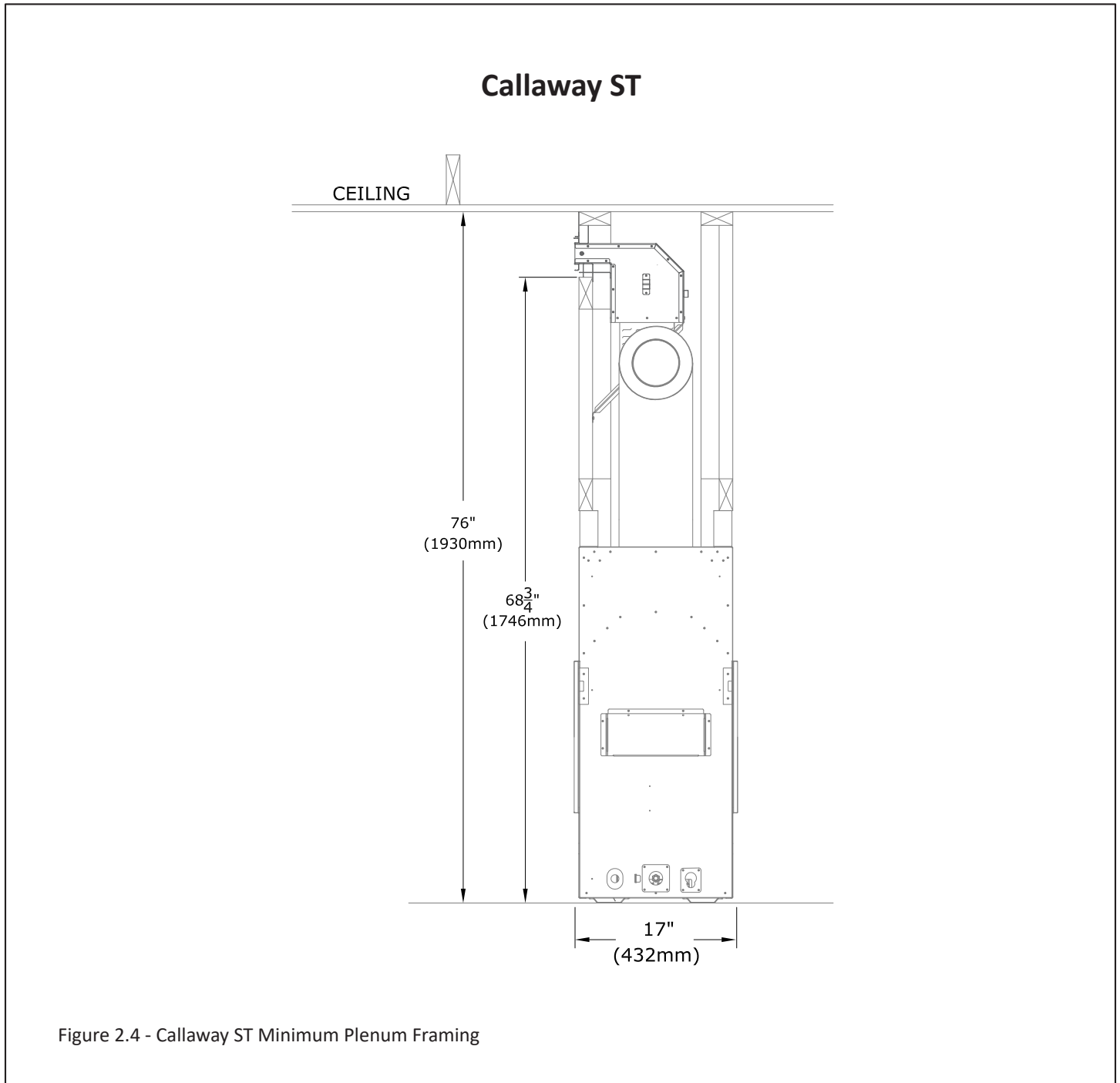
- This section shows the plenum rough framing dimensions and clearances. There may be additional information for the fireplace installation in the fireplace manual.
- The framing dimensions for the rough opening should allow for the wall covering thickness and facing materials. Please refer to Section 3.0 for specific facing and finishing options.



2.2 Plenum Framing (Continued)



2.2 Plenum Framing (Continued)

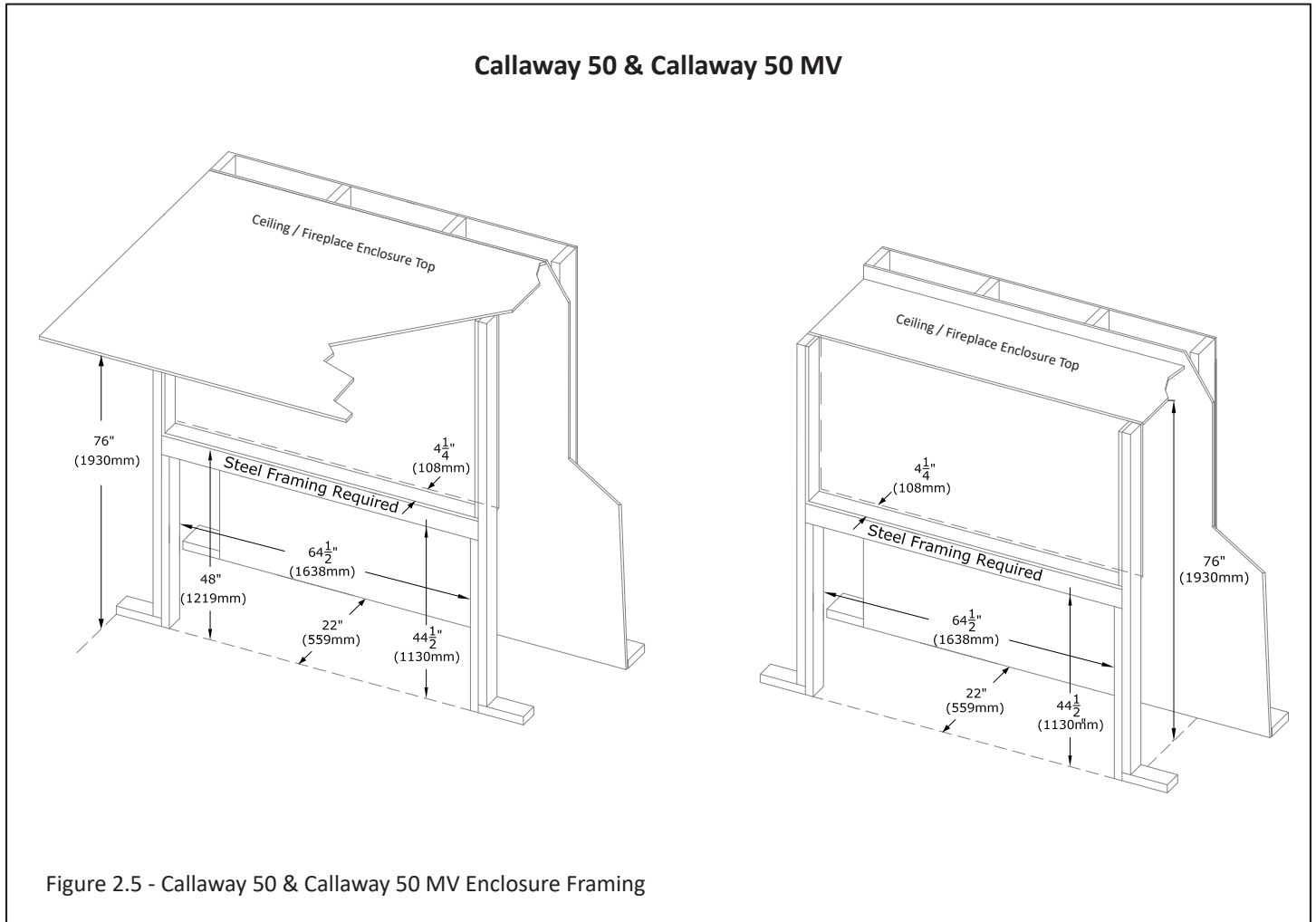


2.3 Enclosure Framing

All figures are shown using nominal 2"x4" framing used in interior enclosure framing.

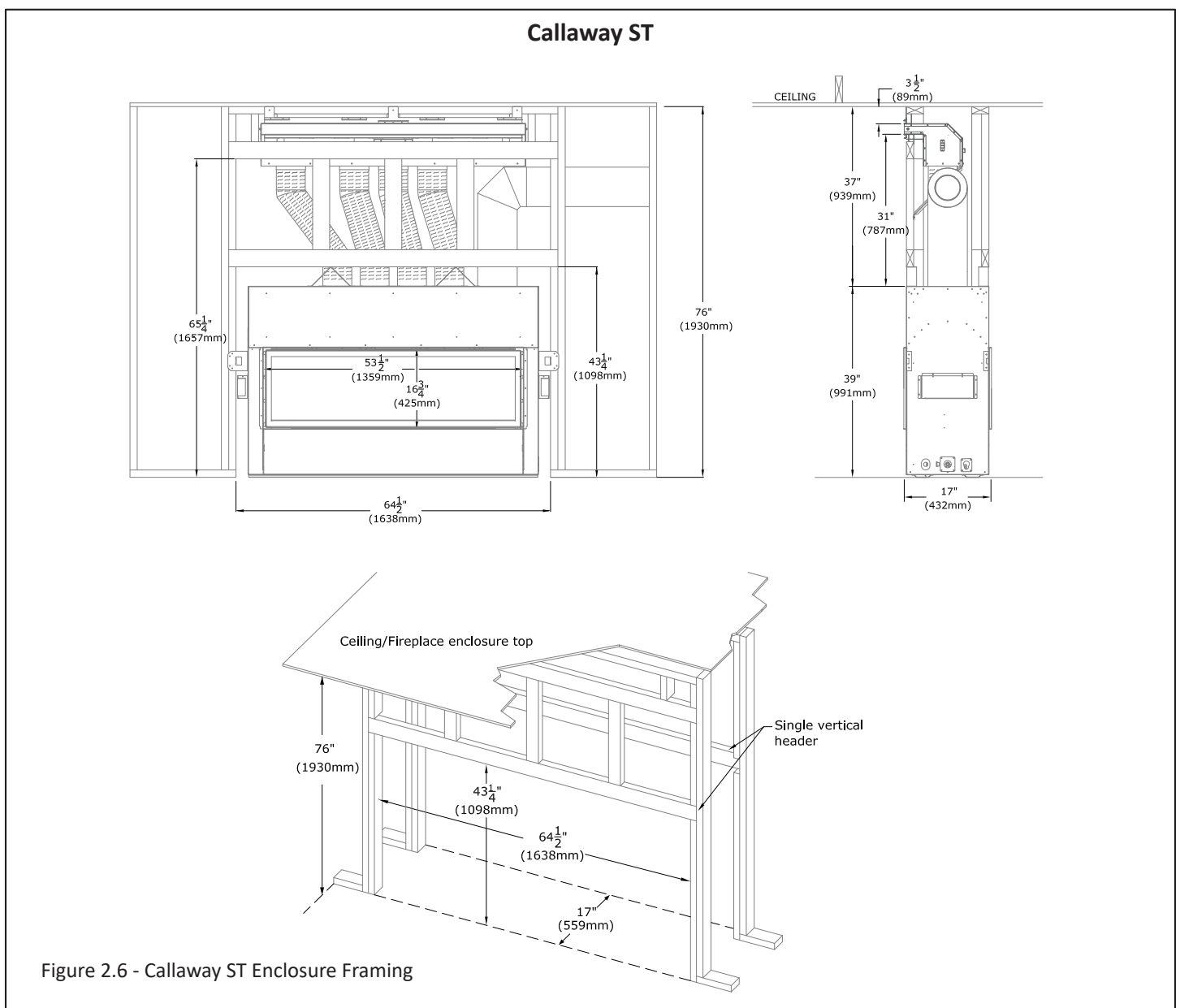
Rough opening framing dimensions should allow for wall covering thickness and facing materials.

Recessed TV Pocket: The minimum clearance to the recessed TV pocket is measured from the base of the fireplace. The allowed TV recess of 4-1/4" (108mm) measures from the front of the nominal 2"x4" framing to the backside of the finishing material of the pocket.



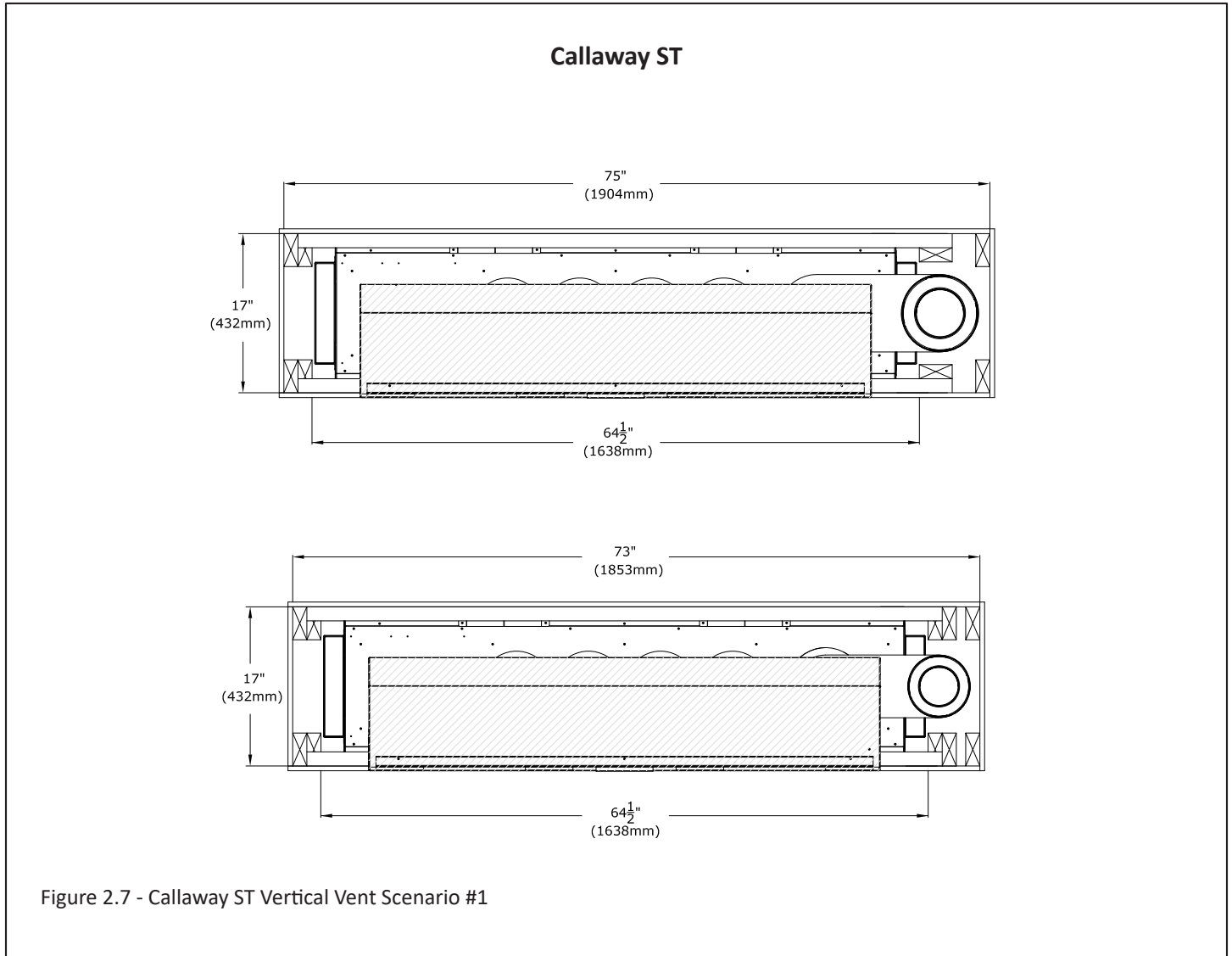
2.3 Enclosure Framing (continued)

- In certain installation scenarios the vent system may be in the path of the KZK plenum, collars, and aluminum flex tubes. Depending on which side of the room your KZK discharges you will move the left or right side collar to the middle location. You must install the KZK so all four aluminum flex tubes are connected between the fireplace and the KZK.
- The need to move a KZK collar on the plenum is affected by many installation variables such as fireplace enclosure height, fireplace enclosure width, KZK plenum location, and vent system configuration.
- Figure 2.6 shows the minimum fireplace enclosure framing. This would be used if you are performing minimum horizontal venting.
- Figure 2.7 - 2.8 shows the minimum fireplace enclosure framing if you are venting vertically with the fireplace enclosure installed up against a perpendicular wall.
- Figure 2.9 - 2.10 shows the minimum fireplace enclosure framing if you are venting vertically with an island fireplace enclosure. The fireplace viewing area is centered in this fireplace enclosure.



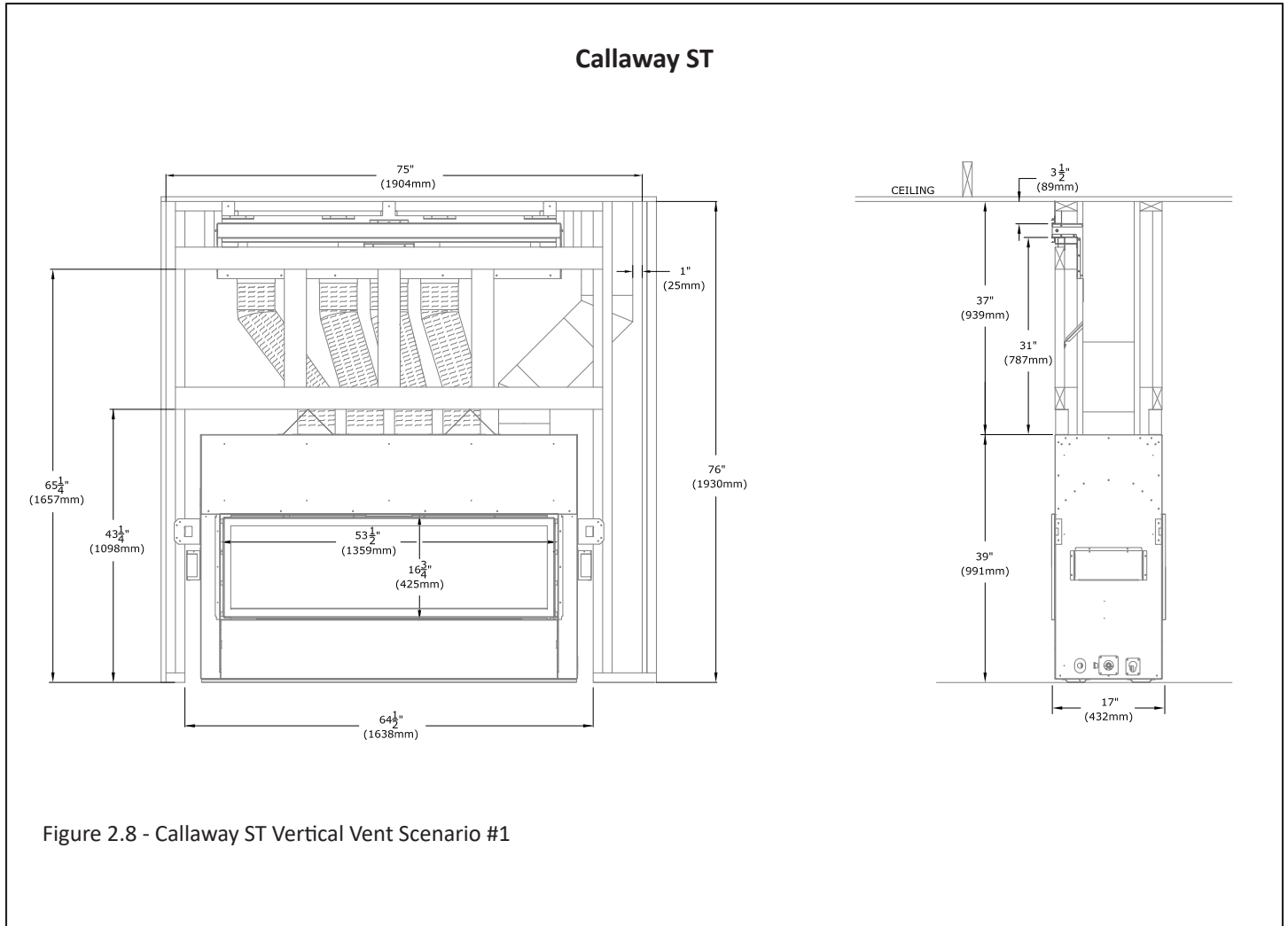
2.3 Enclosure Framing (continued)

- Figure 2.7 and 2.8 show the minimum fireplace enclosure framing if you are venting vertically with the fireplace enclosure installed up against a perpendicular wall.



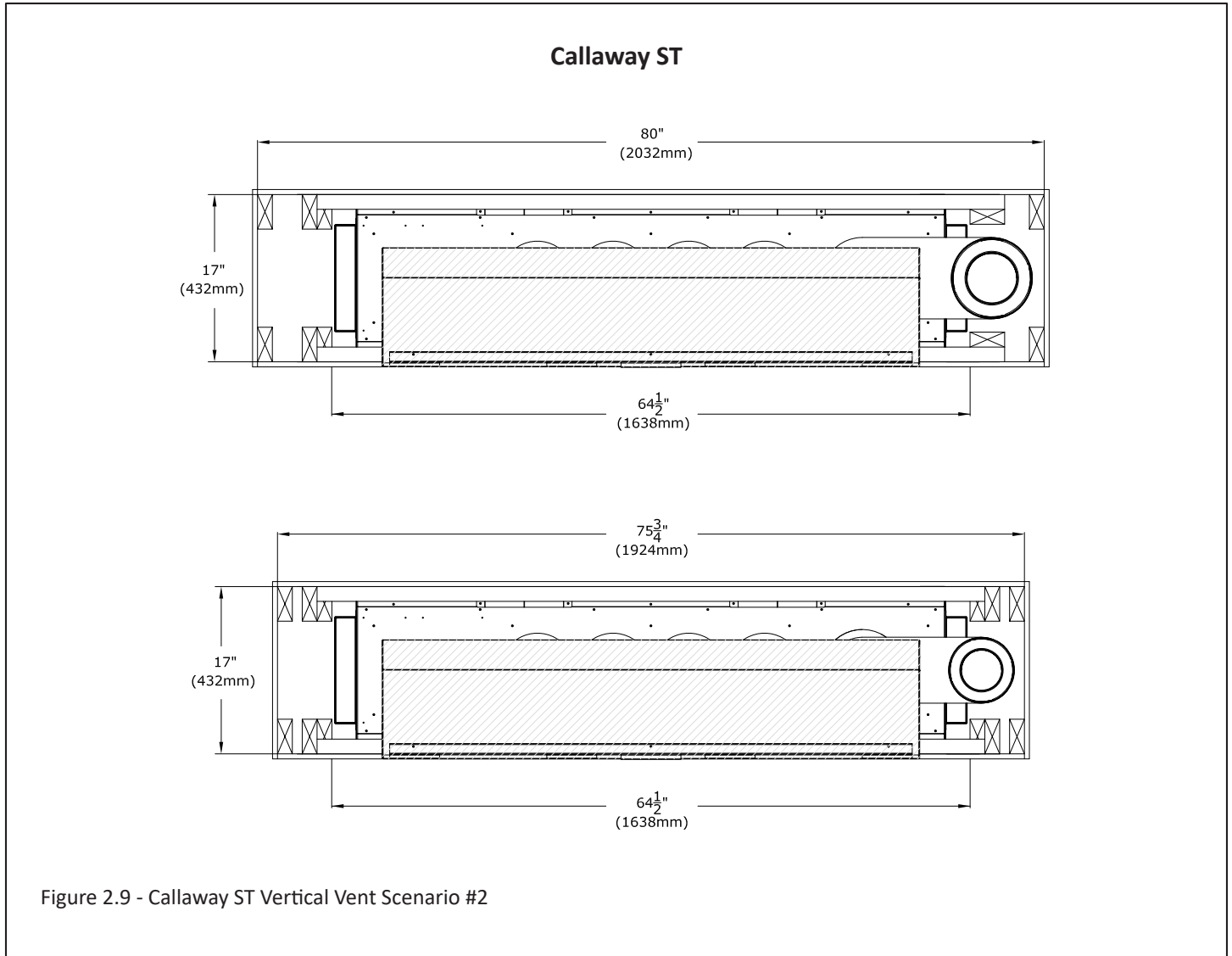
2.3 Enclosure Framing (continued)

- Figure 2.7 and 2.8 show the minimum fireplace enclosure framing if you are venting vertically with the fireplace enclosure installed up against a perpendicular wall.



2.3 Enclosure Framing (continued)

- Figure 2.9 - 2.10 shows the minimum fireplace enclosure framing if you are venting vertically with an island fireplace enclosure. The fireplace viewing area is centered in this fireplace enclosure.



2.3 Enclosure Framing (continued)

- Figure 2.9 - 2.10 shows the minimum fireplace enclosure framing if you are venting vertically with an island fireplace enclosure. The fireplace viewing area is centered in this fireplace enclosure.

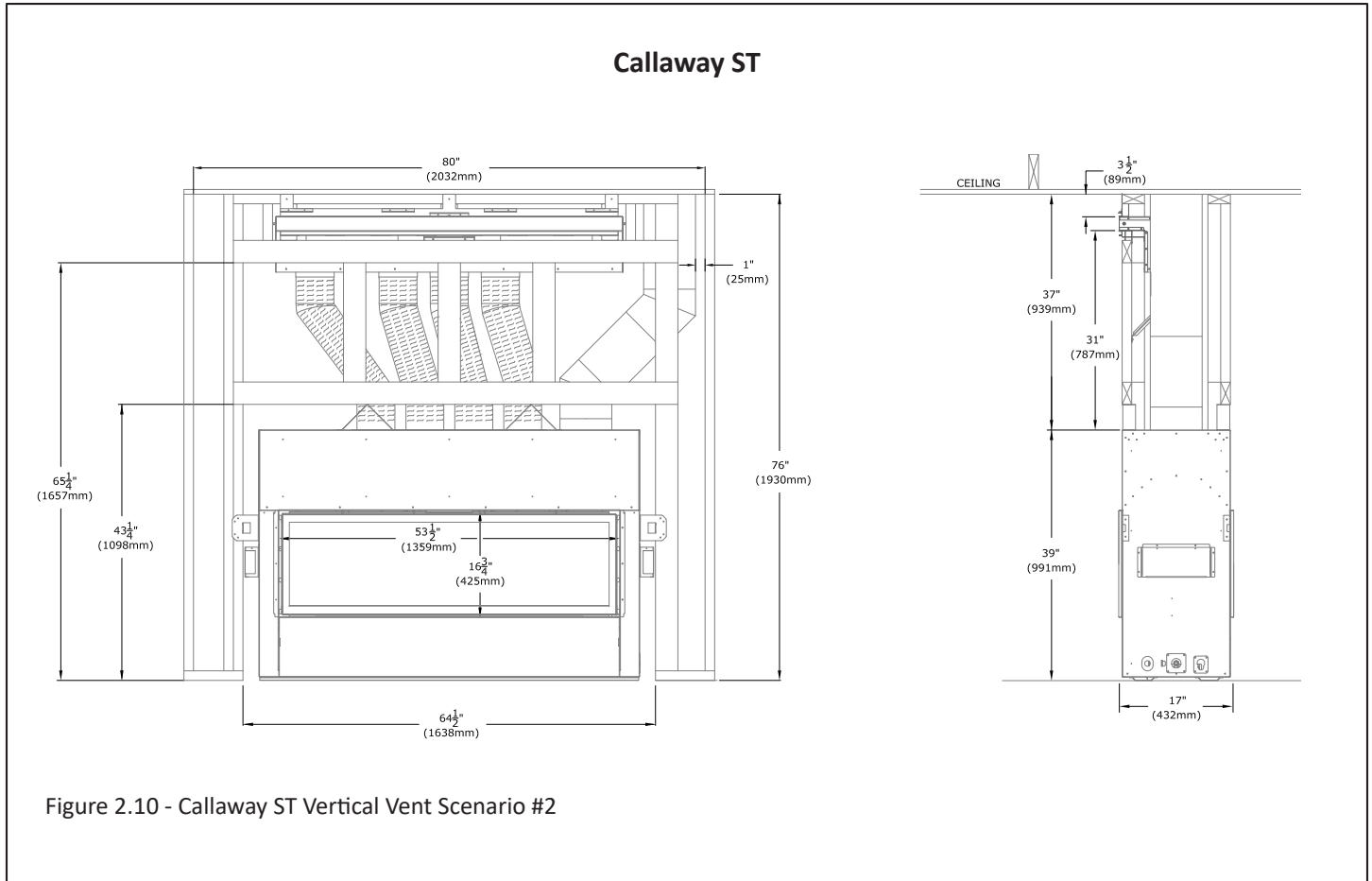


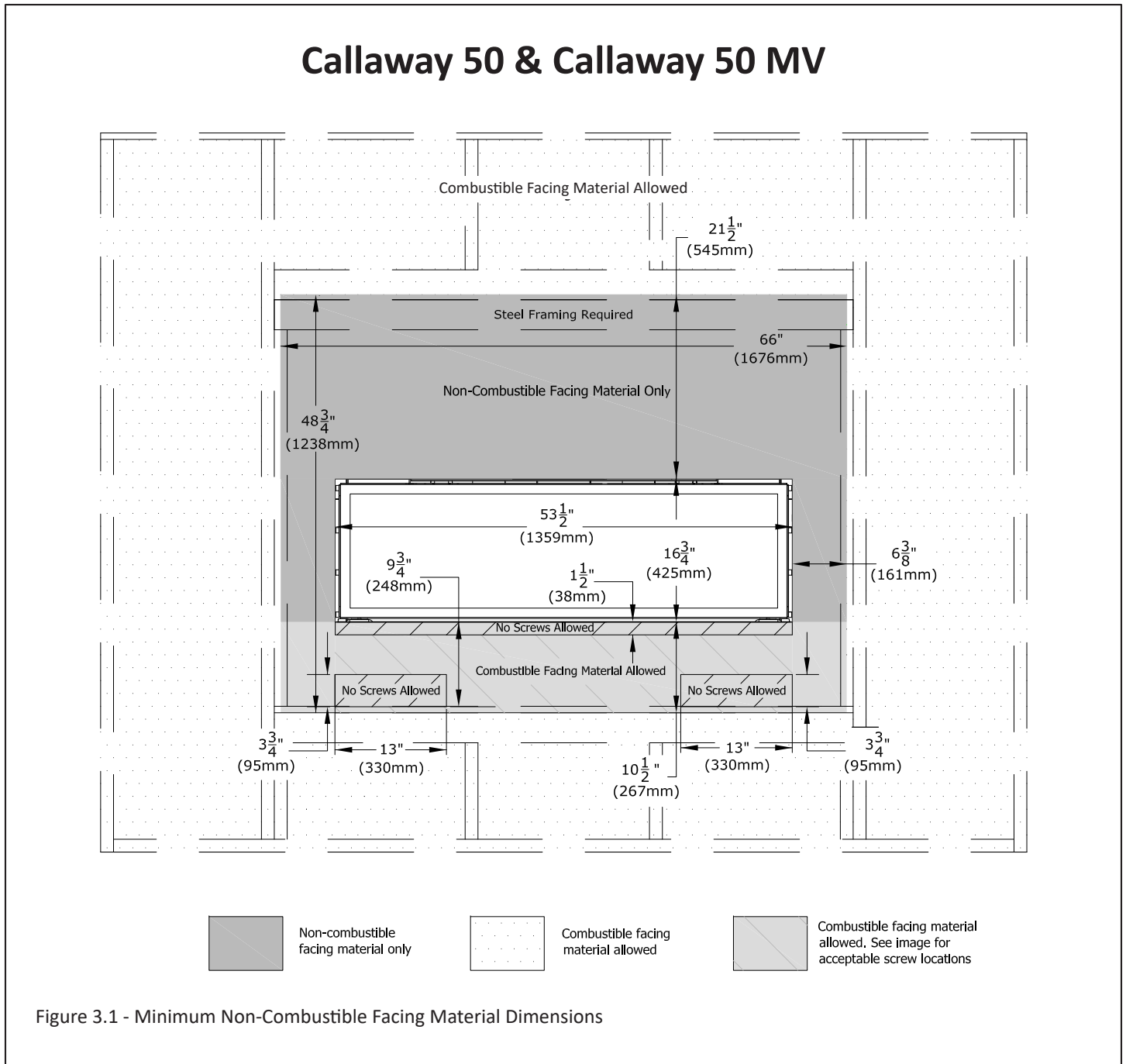
Figure 2.10 - Callaway ST Vertical Vent Scenario #2

3.0 Facing and Finishing

Note: It is acceptable to pre-drill and to use self-tapping screws prior to attaching the facing material. Screws can only penetrate the fireplace outer shell up to 1/2" (13mm) in the allowed areas. Notice that some drawings show no screw zones where no-screw can penetrate the fireplace.

3.1 Non-Combustible Requirements

Figure 3.1 and Figure 3.2 show the non-combustible facing material requirements.



3.1 Non-Combustible Requirements (Continued)

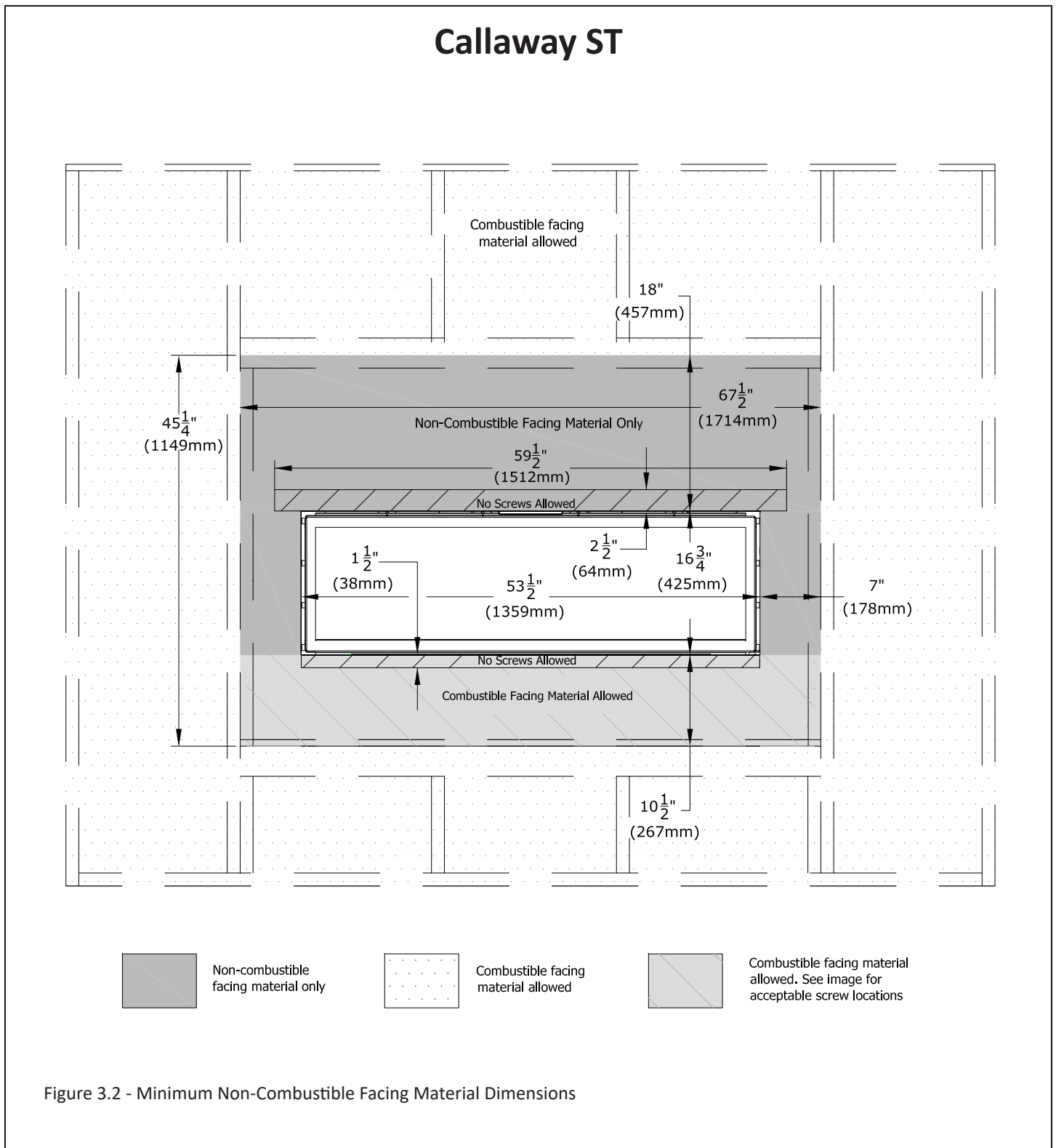


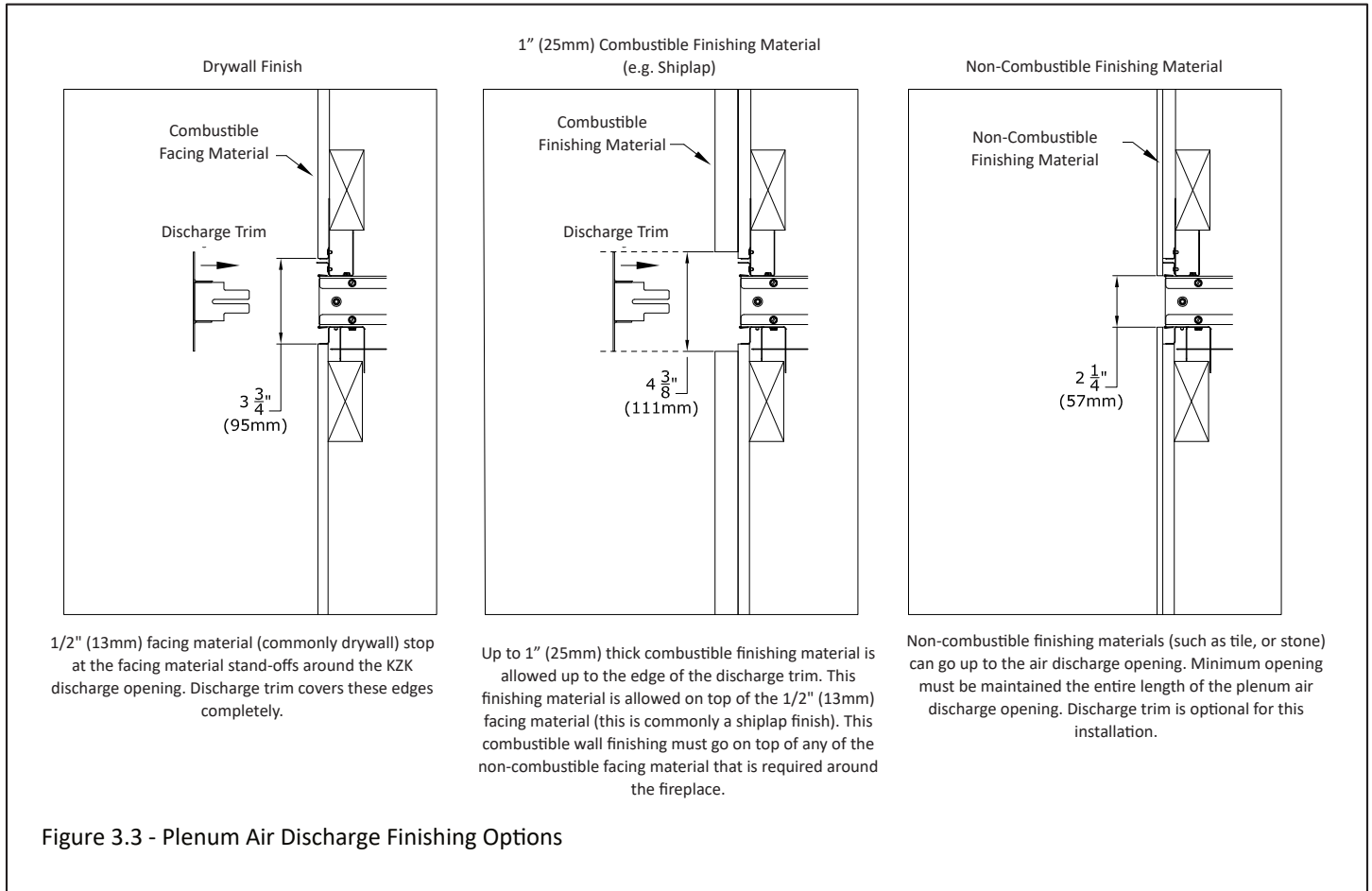
Figure 3.2 - Minimum Non-Combustible Facing Material Dimensions

3.2 Facing and Finishing Requirements

3.2.1 Facing and Finishing Options - Plenum Air Discharge

NOTE: It is not required to use the discharge trim (#KZK-054DT). You are allowed to run non-combustible facing and finishing material up to the air discharge opening. See Figure 3.3 for finishing options. Facing and finishing material must not block the opening and must be run evenly along the plenum opening.

WARNING! RISK OF OVERHEATING AND FIRE! Ensure the KZK duct system is installed in accordance to this manual



3.2.2 Combustible Wall Finish

- Figure 3.4 shows installation of combustible wall finish up to 1" (25mm) thick for the Callaway 50 & Callaway 50 MV. This combustible material goes on top of any required non-combustible facing material as required in Figure 3.1.
- This 1" (25mm) combustible material is able to go down to the fireplace finishing edge.
- See Figure 3.3 (center image) for up to 1" (25mm) thick combustible material installation around the KZK air discharge trim.

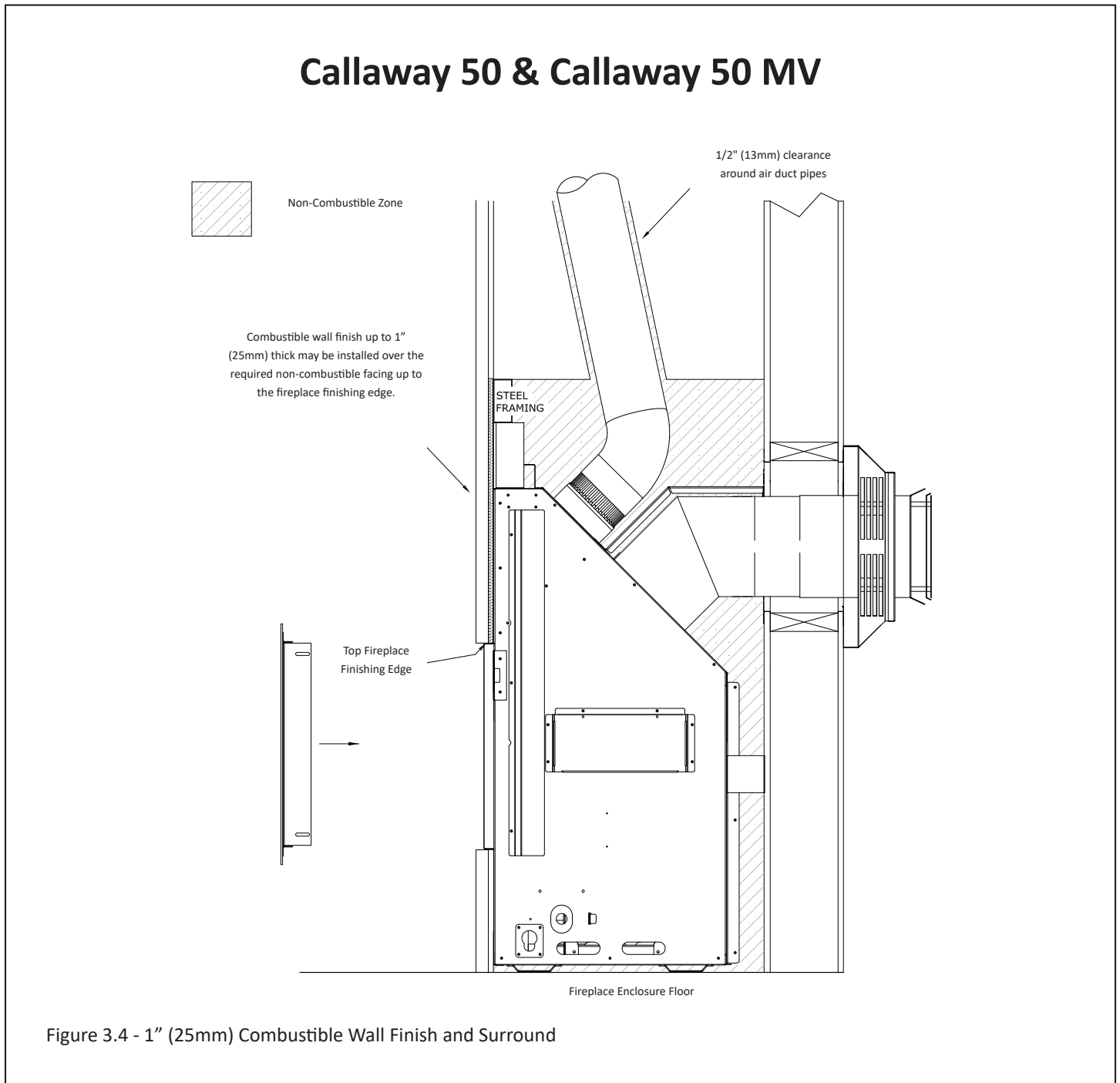


Figure 3.4 - 1" (25mm) Combustible Wall Finish and Surround

3.2.2 Combustible Wall Finish (continued)

- Figure 3.5 shows the installation of combustible wall finish up to 1" (25mm) thick. This combustible material goes on top of any required non-combustible facing material as shown in Figure 3.2.
- This 1" (25mm) combustible material is able to go down to the fireplace finishing edge.
- See Figure 3.3 for combustible material around the KZK air discharge opening.

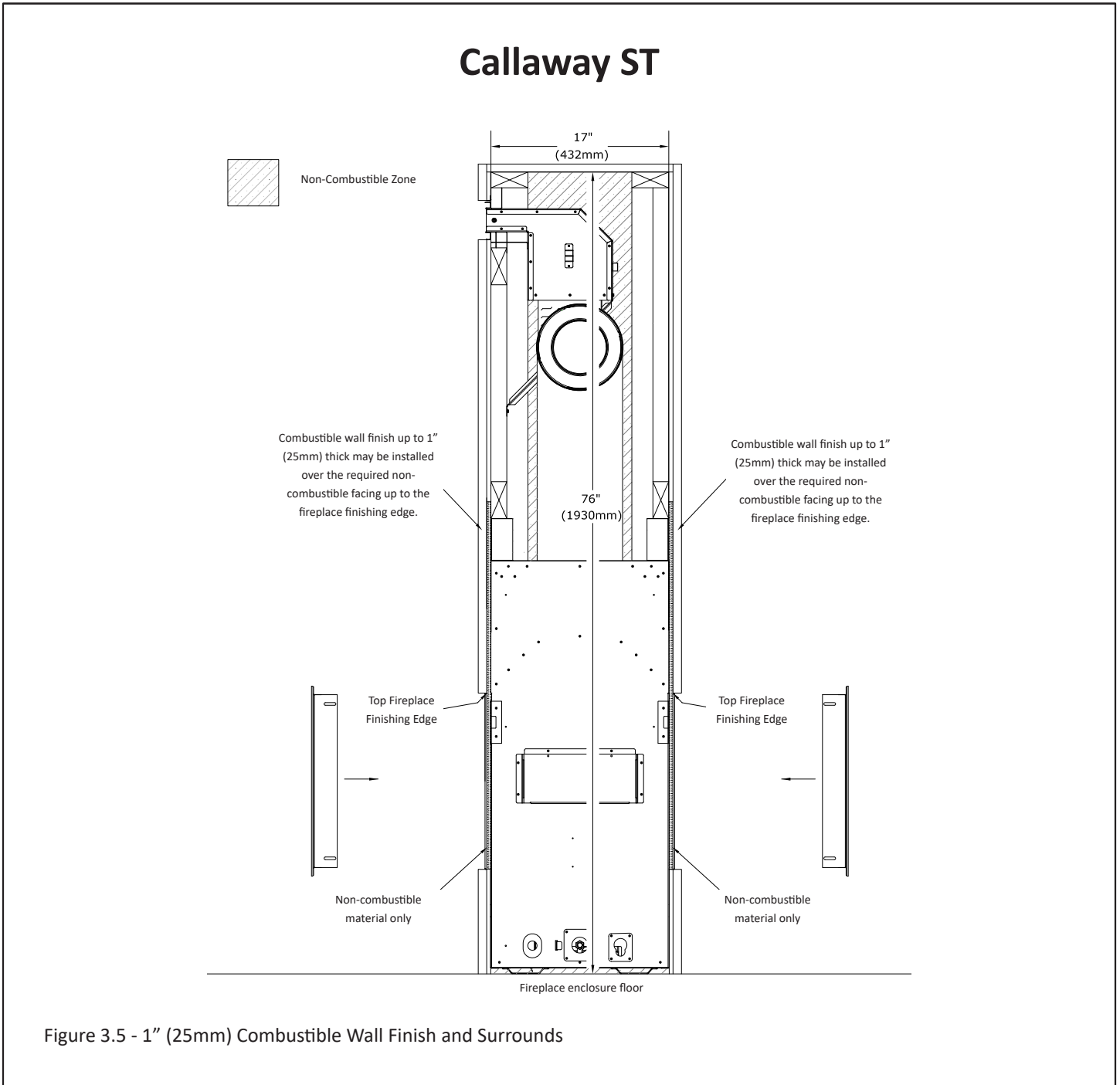


Figure 3.5 - 1" (25mm) Combustible Wall Finish and Surrounds

3.2.2 Combustible Wall Finish (continued)

Figure 3.6 shows the front facing view of the combustible wall finish. The fireplace shown might look different than your installation. The 1" (25mm) combustible facing material can go up to the finishing edge of the fireplace.

The 1" (25mm) combustible wall finish may be installed on top of any required non-combustible facing material outlined in this manual or the fireplace manual. See Section 3.1 for those requirements.

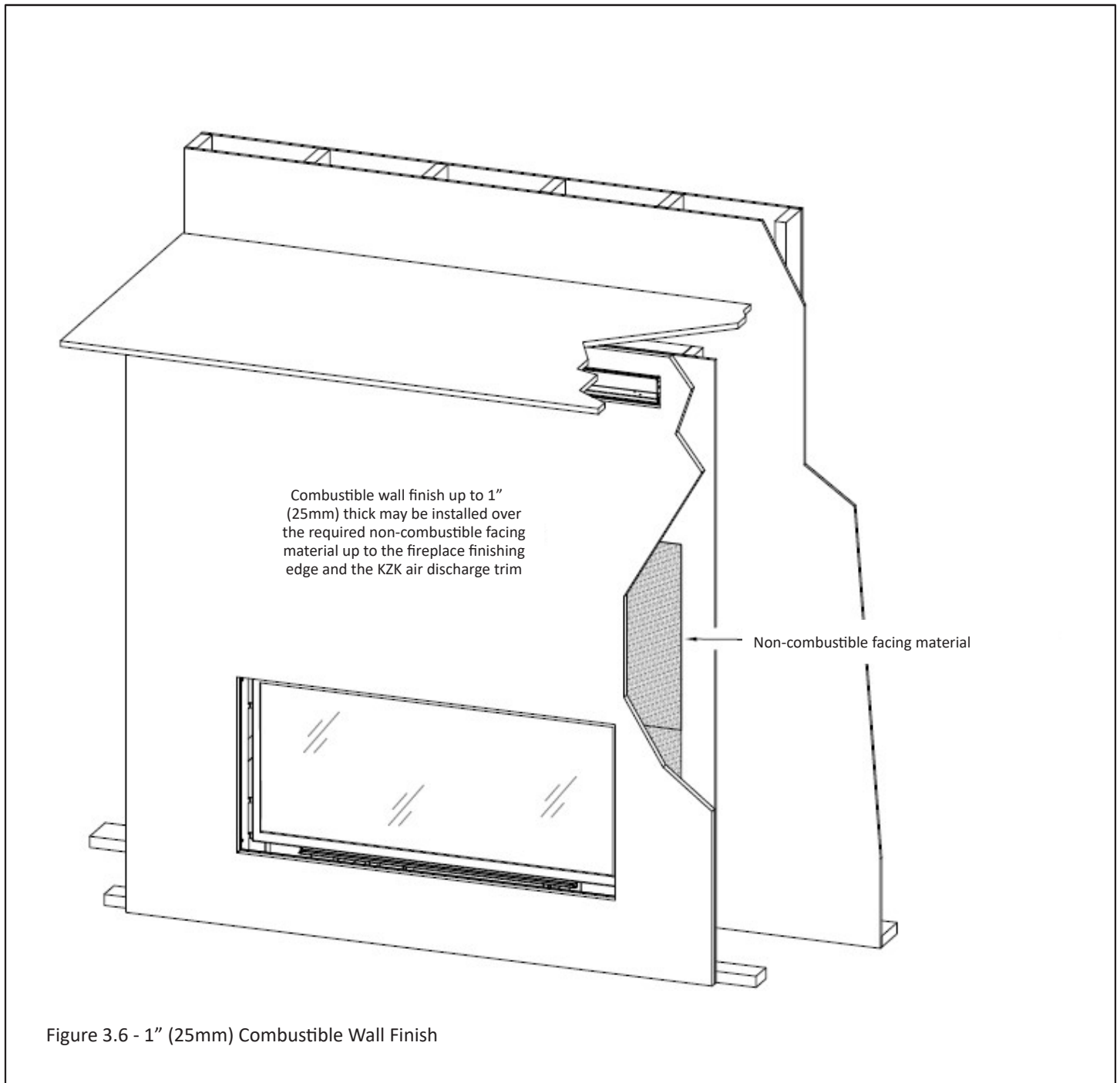


Figure 3.6 - 1" (25mm) Combustible Wall Finish

3.2.3 Non-Combustible Zone

- Figure 3.1 (Callaway 50 & Callaway 50MV) and Figure 3.2 (Callaway ST) show the non-combustible zones for the minimum requirement of non-combustible facing material.
- Paper faced gypsum board, commonly known as drywall; including Type X Fire Rated board is not a non-combustible material. This material is not approved for use as a non-combustible material around the fireplace.
- WonderBoard brand boards are commonly used as a backerboard for tile. WonderBoard backerboard is not a non-combustible material and is not approved for use in the non-combustible material is required around the fireplace.
- Non-combustible facing and finishing materials must meet ASTM E 136.

3.2.4 Finishing Recommendations

NOTE: The surface area above the appliance may be affected by high temperatures emitted from this appliance. To help avoid or reduce the possibility of the sheetrock to crack, Hussong Mfg. recommends the following methods:

- Ensure the non-combustible material and sheetrock is dry and dust free.
- For taping and mudding seams, we recommend heat resilient tape, mesh and joint compounds, such as Durabond. Mud must be cured as per manufacturers recommendations.
- For a painted surface, use a high quality acrylic latex primer and finish coat. Avoid flat or light-colored paints to prevent discoloring.

Disclaimer: Kozy Heat does not guarantee any materials used around the fireplace. Kozy Heat disclaims any and all liability for any damage to finishing materials including warping, discoloring, cracking, peeling or flaking. This also includes any off-gassing or unpleasant smells from materials when they are heated.

3.3 Hearth, Mantel, and Sidewall Clearances

- The following drawings show the hearth and mantel clearances allowed for the CLW-50, CLW-50-MV, and CLW-ST with no optional surrounds installed. The CLW-50, CLW-50-MV and CLW-ST use the same optional surrounds. Refer to Section 3.3.1 for finishing guidelines when using an optional surround.
- Do not run any hearth or mantel projection past the fireplace finishing edge which would impede the airflow around the screen barrier.

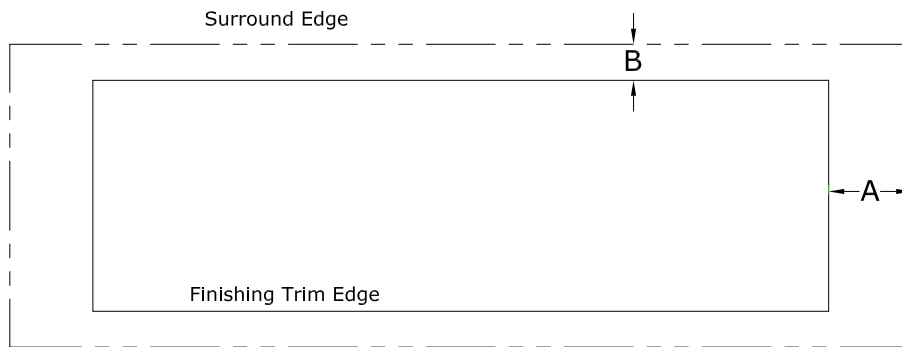
3.3.1 Finishing Guidelines for Optional Surrounds

The optional surrounds can provide two features. They can cover the edge of finishing material where it meets the finishing edge (opening) of the fireplace and/or they can provide a decorative aspect.

If you want the surround to cover the edge of your finishing material the combined thickness of your finishing material and required non-combustible material can be up to 1-5/8" (41mm) thick. If your combined material thickness is greater than 1-5/8" (41mm) then your finishing material would have to stop at the edge of the surround to allow installation

In scenarios where your combined materials thickness is greater than 1-5/8" (41mm) follow Figure 3.7. Figure 3.7 shows where to stop your finishing material, measured from the fireplace finishing edge, to allow the installation of a specific surround. Your required non-combustible facing material (traditionally 1/2" or 5/8") can still be installed up against the finishing edge of the fireplace.

- Measurement 'A' shows the space to leave on each side.
- Measurement 'B' shows the space to leave on the top and the bottom.



Surround	A	B
CW50-RS	3/4" (19mm)	3/4" (19mm)
CW50-RS4	2-5/8" (67mm)	2-5/8" (67mm)
CW50-GS	6" (152mm)	2-1/2" (64mm)
CW50-MS	3-1/8" (79mm)	3-1/8" (79mm)

Figure 3.7 - Optional Surround Finishing Guidelines

3.3.2 Callaway 50 & Callaway 50 MV Hearth, Mantel, and Sidewall Clearances

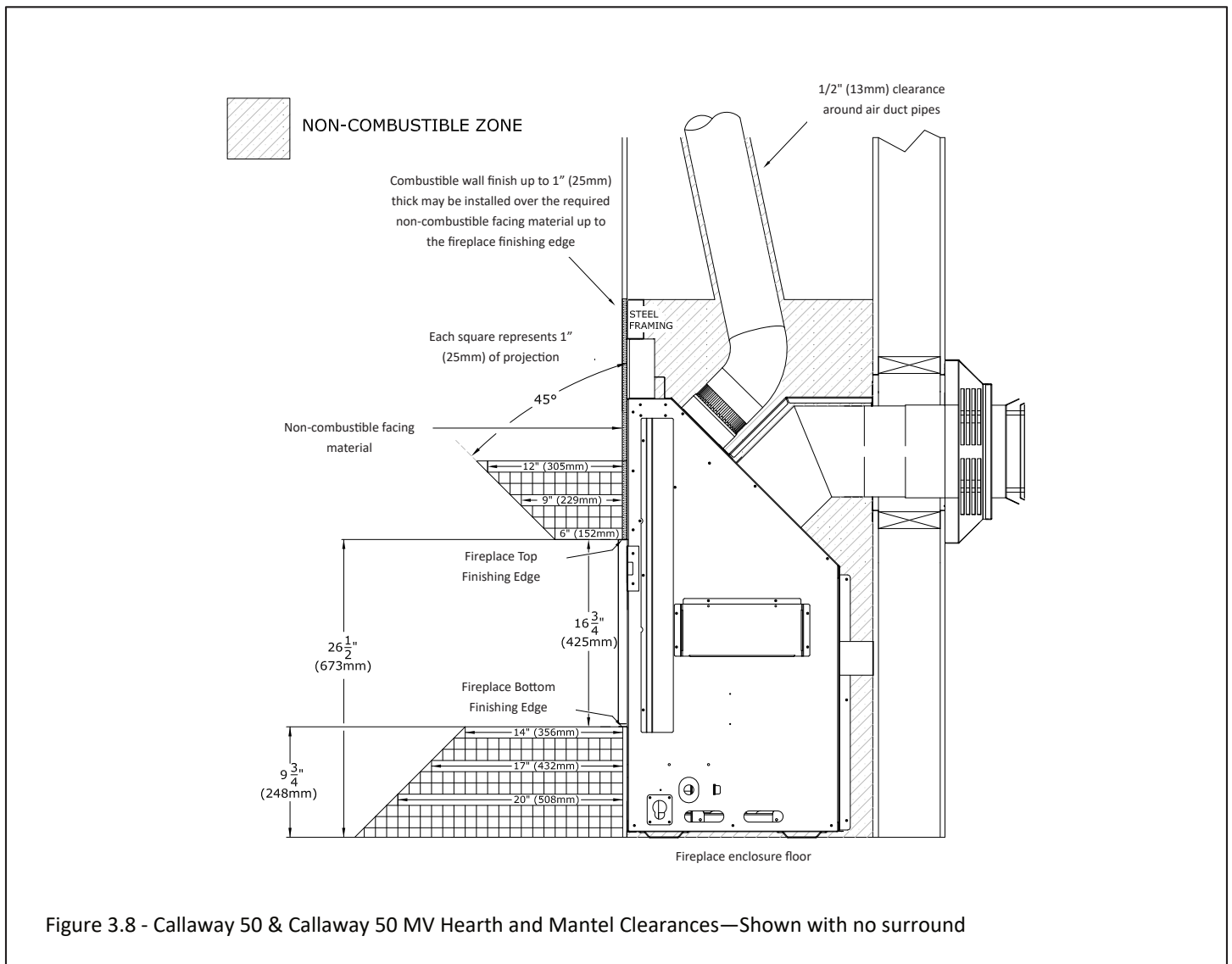
Combustible Hearth and Mantel Requirements

WARNING: All minimum clearances to combustible material **MUST** be maintained.

- Combustible Mantel Projections (no surround): As referenced in Figure 3.8, the 6" (152mm) combustible mantel can start at 0" (0mm) from the fireplace top finishing edge. Mantel projections can increase 1" (25mm) of depth for every 1" (25mm) of height starting at the 6" (152mm) mantel. Refer to Section 3.3.1 if you are using an optional surround.
- Combustible Hearth Projections (no surround): A 14" (356mm) combustible hearth projection can be installed at 0" (0mm) from the fireplace bottom finishing edge if you are not using an optional surround. Hearth projections can increase 1" (25mm) for every 1" (25mm) away from the bottom fireplace finishing edge. Refer to Section 3.3.1 if you are using an optional surround.
- Mantel Leg: Follow "Combustible Sidewall Clearance" below. See Figure 3.9.

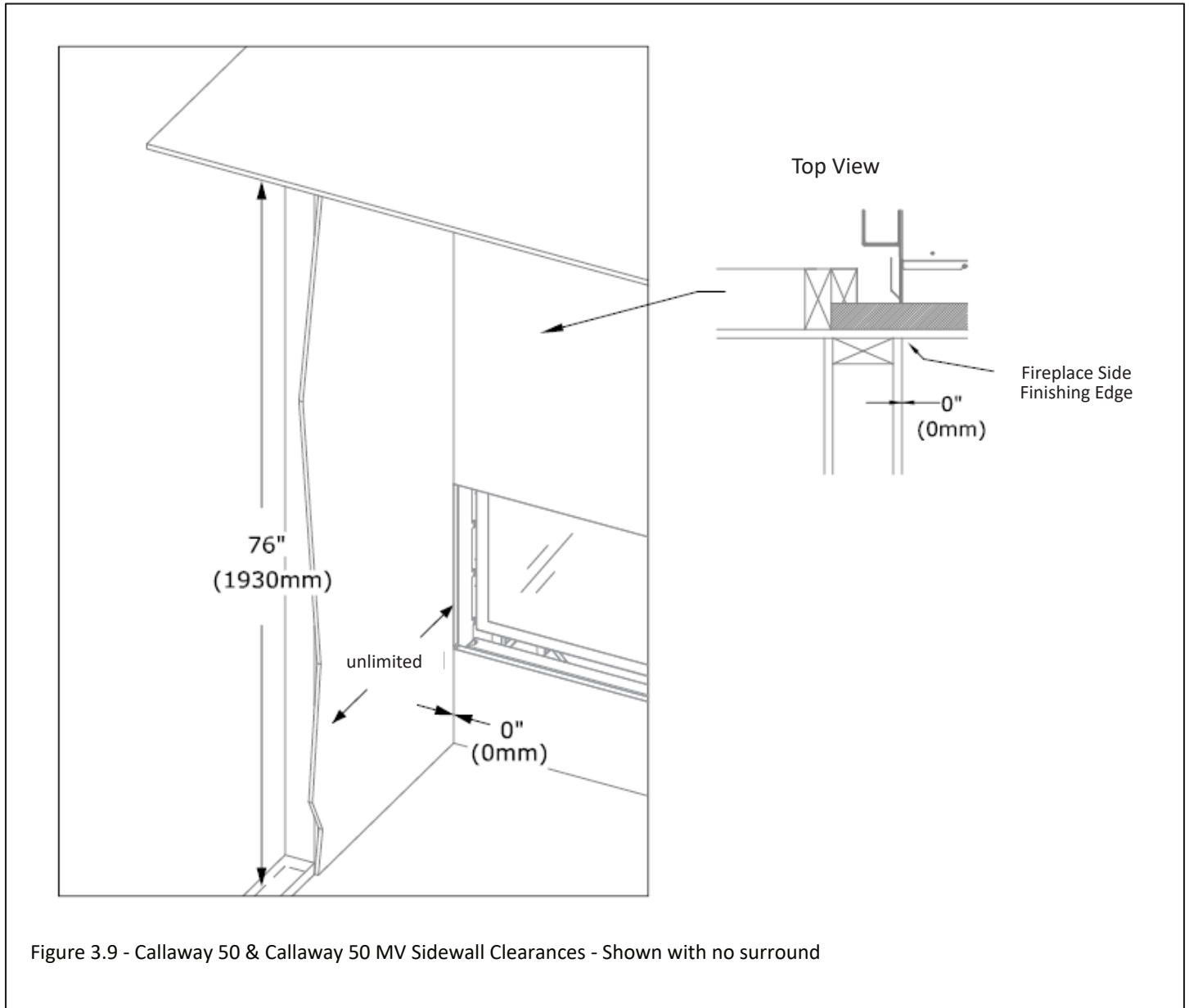
Adjacent Sidewall Requirements

- Combustible Sidewall Clearance: The combustible sidewall projection is unlimited and starts at 0" (0mm) from the side of the fireplace. See Figure 3.9.
- If installing an optional surround, refer to Measurement 'A' in Section 3.3.1.



3.3.2 Callaway 50 & Callaway 50 MV Hearth, Mantel, and Sidewall Clearances (continued)

- Figure 3.9 shows that the combustible sidewall projection is unlimited and starts at 0" (0mm) from the fireplace side finishing edge. If you want to use the KZK air discharge trim or an optional surround on the fireplace opening please provide the necessary clearance.
- See Figure 3.7 for the necessary optional surround clearances.



3.3.3 Callaway ST Hearth, Mantel, and Sidewall Clearances

Combustible Hearth and Mantel Requirements

WARNING: All minimum clearances to combustible material **MUST** be maintained.

- Combustible Mantel Projections (no surround): As referenced in Figure 3.10, the 6" (152mm) combustible mantel can start at 3" (76mm) from the fireplace top finishing edge. Mantel projections can increase 1" (25mm) of depth for every 1" (25mm) of height starting at the 6" (152mm) mantel. Refer to Section 3.3.1 if you are using an optional surround.
- Combustible Hearth Projections (no surround): A 18" (458mm) combustible hearth projection can start at 0" (0mm) to the fireplace bottom finishing edge if you are not using an optional surround. Hearth projections can increase 1" (25mm) for every 1" (25mm) away from the bottom fireplace finishing edge. Refer to Section 3.3.1 if you are using an optional surround.
- Mantel Leg: Follow "Combustible Sidewall Clearance" below. See Figure 3.11.

Adjacent Sidewall Requirements

- Combustible Sidewall Clearance: The adjacent sidewall projection starts with a 1" (25mm) combustible side trim that can be flush with the side finishing edge. After 5" (127mm), this projection is unlimited. See Figure 3.11.
- If installing an optional surround, refer to Measurement 'A' in Section 3.3.1.

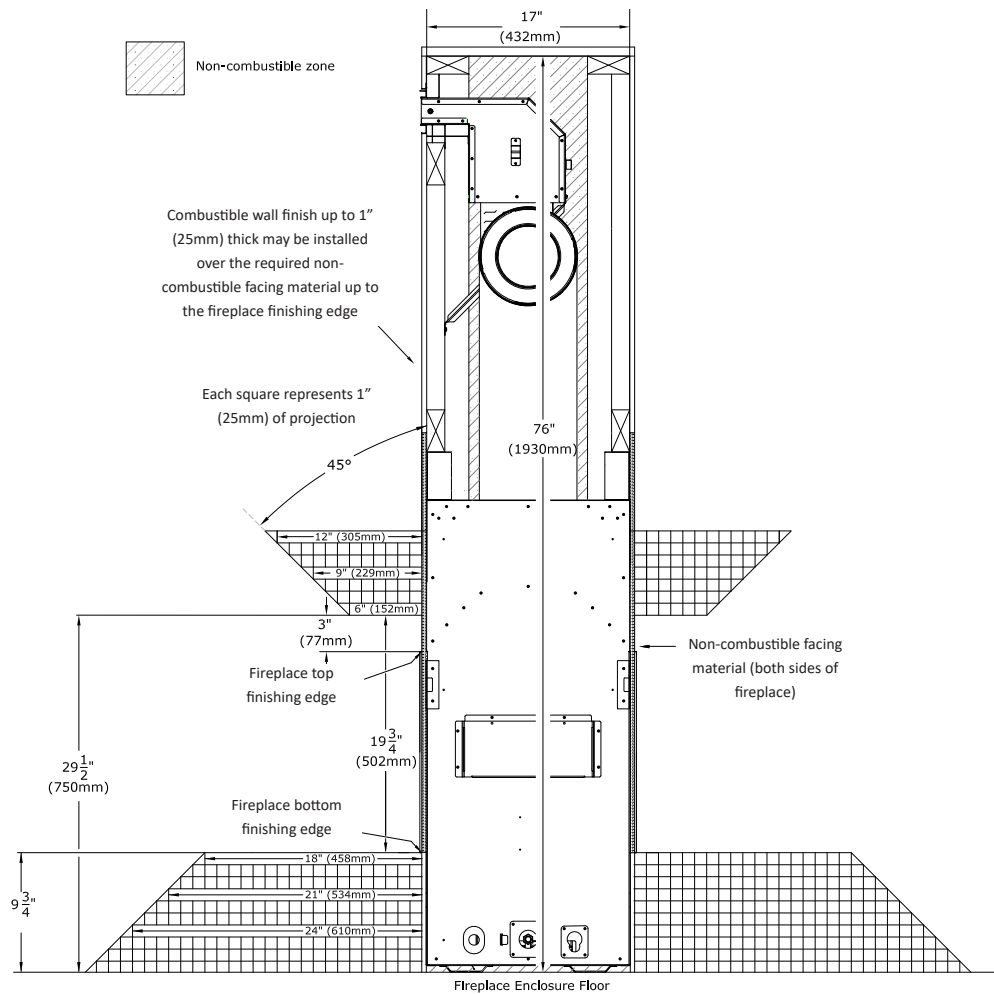
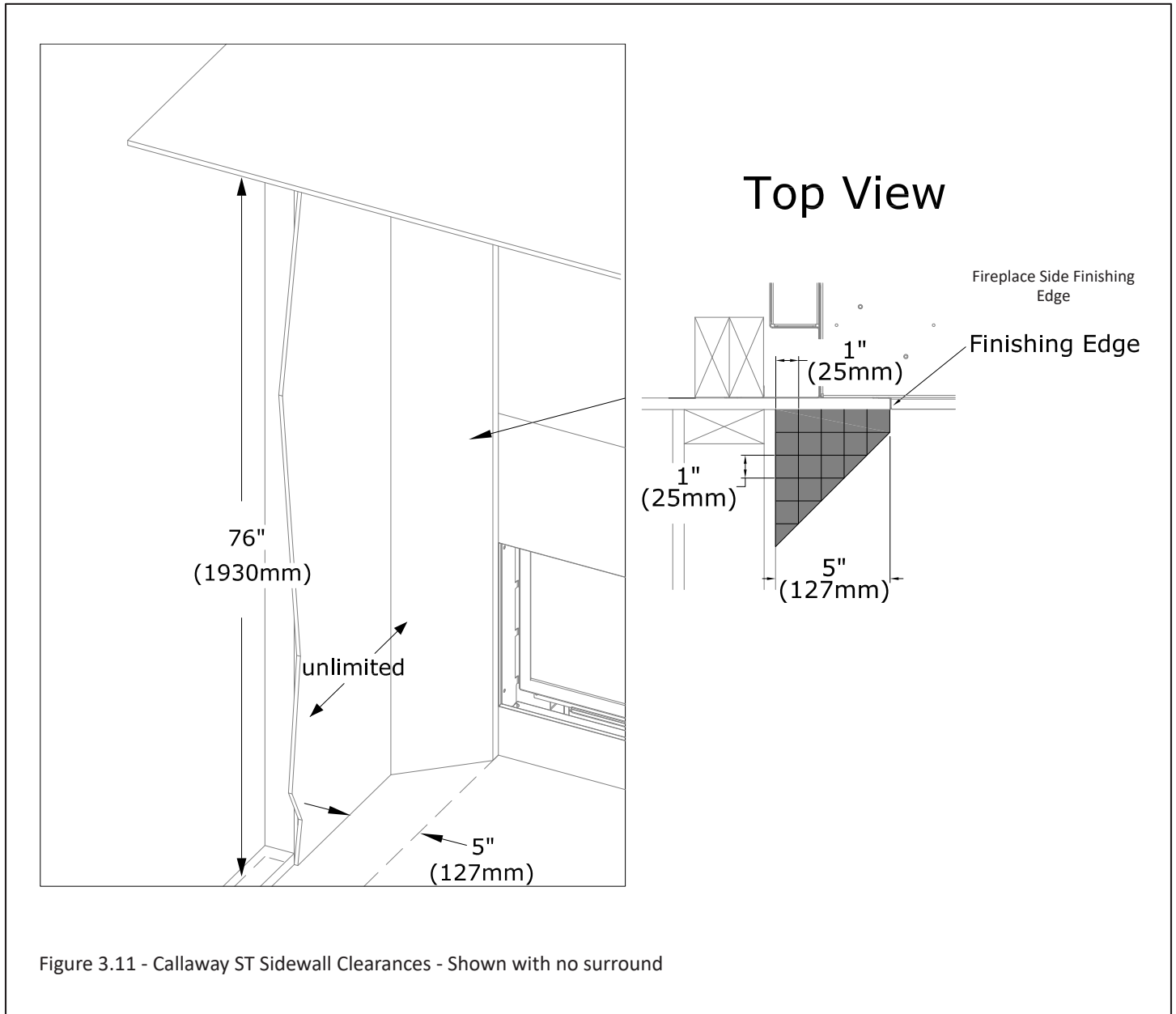


Figure 3.10 - Callaway ST Hearth and Mantel Clearances - Shown with no surround

3.3.3 Callaway ST Hearth, Mantel, and Sidewall Clearances (continued)

- Figure 3.11 shows that the adjacent sidewall projection starts with a 1" (25mm) combustible side trim that can be installed at 0" (0mm) with the fireplace side finishing edge. After 5" (127mm), this projection is unlimited.
- Refer to Section 3.3.1, if you are using an optional surround.



4.0 Fireplace Preparation & Installation

4.1 Callaway 50 & Callaway 50 MV

All contents in this kit are required and must be installed.

The Komfort Zone Kit requires to remove the cover plates and convection baffle to allow the hot airflow to convect upwards into the air ducts installed on the fireplace.

See additional requirements and installation information in the fireplace manual.

1. Remove the (16) sheet metal screws that secure the (4) cover plates at the top of the fireplace shown in Figure 4.1. Discard these four cover plates. Save the sheet metal screws for the next step.
2. Install the KZK collars that were provided with KZK-054 as shown in Figure 4.1. Reuse the sheet metal screws from the previous step.
3. Locate the convection baffle as shown in Figure 4.2. There are (2) screws that secure the convection baffle behind the upper edge of the fireplace opening. Remove the screws and convection baffle from the fireplace. Discard the convection baffle. See Figure 4.3 for information about airflow.
4. Frame the rough opening of the fireplace and KZK plenum. Refer to all pages of this KZK-054 manual and the Callaway 50 & Callaway 50 MV manual. See previous pages of this manual for allowable plenum positions and rough frame opening sizes.

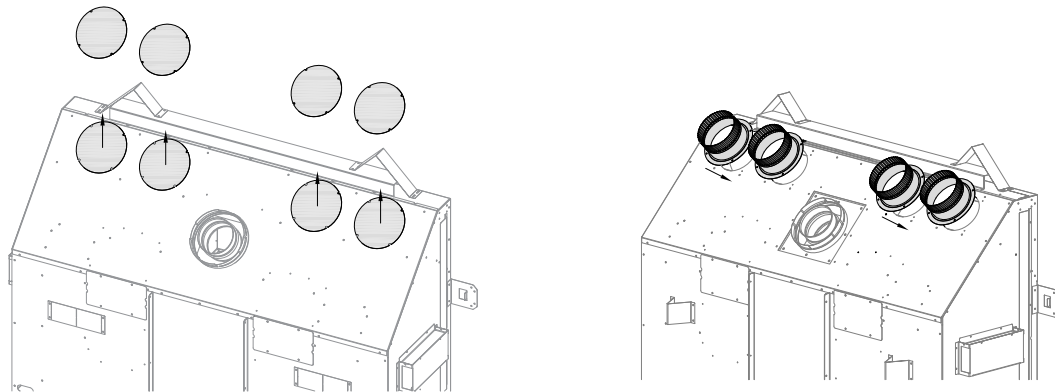


Figure 4.1 - Cover Plate Removal and Collar Installation

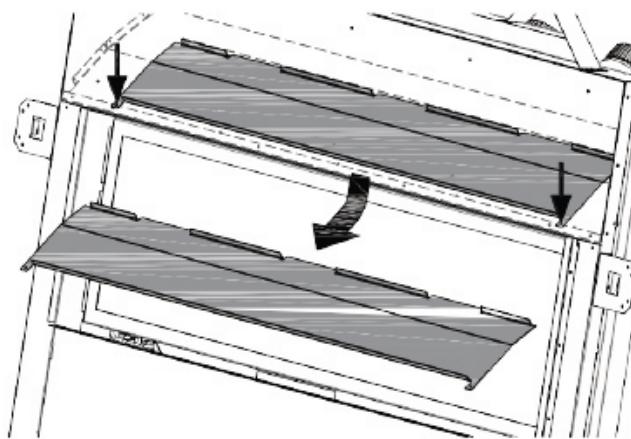


Figure 4.2 - Convection Baffle Removal

4.1 Callaway 50 & Callaway 50 MV (continued)

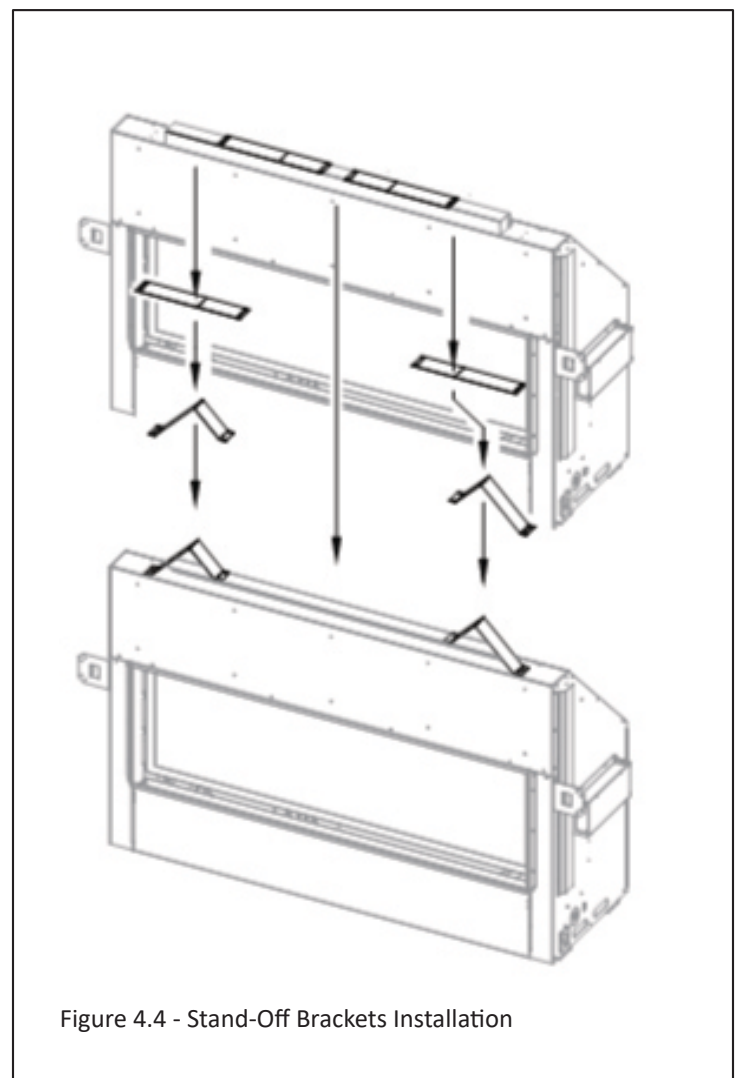
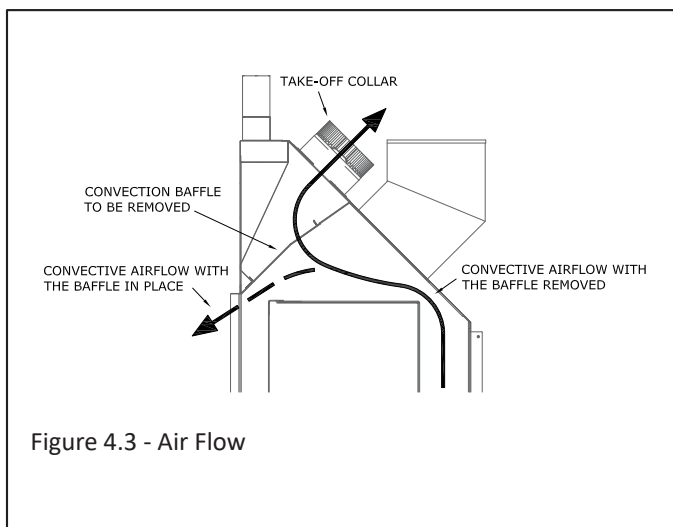
5. Install stand-off brackets. See Figure 4.4.
6. Install the plenum into the rough frame opening maintaining minimum clearances to combustibles as listed in the previous pages of this manual, and in the fireplace installation manual. Fix the plenum to the framing using nails or screw through the top mounting brackets.

NOTE: The supplied plenum support brackets are recommended to support the plenum and ducts. Ensure the plenum is level and its outlet is not distorted. Additional metal strapping maybe needed to support the weight and tubes depending on the height of the installation. See Figure 4.5.

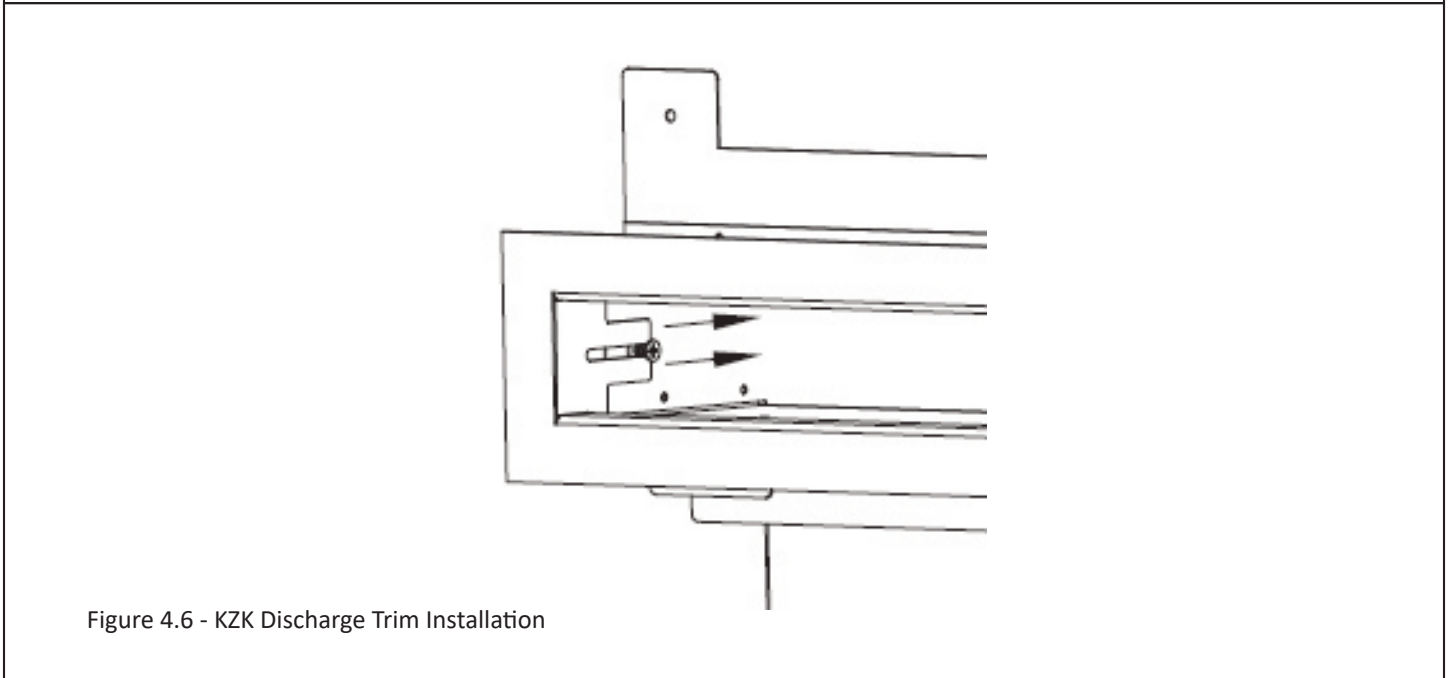
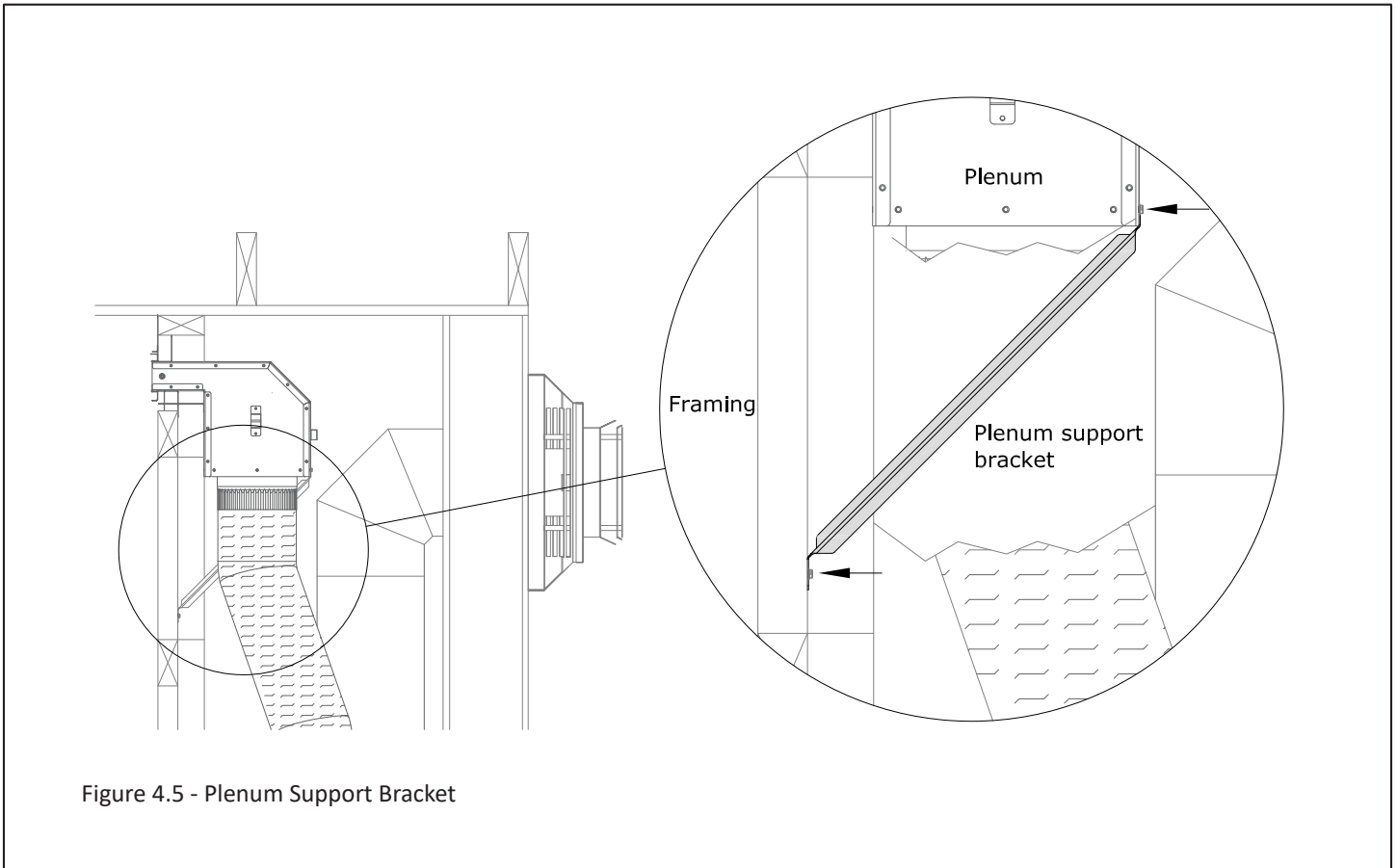
7. Attach the ducts from all (4) plenum take-off collars to all (4) take-off collars on the fireplace. If you are mounting the plenum 10' (3.05m) or less above the fireplace, use (1) #KZK-410-6 kit or UL-181 Class 0 approved air duct. If you are mounting the plenum between 10' (3.05m) to 20' (6.10m) above the fireplace then you will need (2) #KZK-410-6 kits and #KZK-CPL6 or UL-181 Class 0 approved air duct.
8. An upward slope must be maintained in horizontal sections of the ducts for proper convection. Support horizontal sections every 24" (610mm).
9. Install the plenum discharge trim provided with the kit using (2) screws. See Figure 4.6.

If desired, the plenum discharge trim may be painted. Use high temperature paint (250°F or 120°C).

Continue with fireplace installation.



4.1 Callaway 50 & Callaway 50 MV (continued)



4.2 Callaway ST

All contents in this kit are required and must be installed.

The Komfort Zone Kit requires to remove the cover plates and convection baffles to allow the hot airflow to convect upwards into the air ducts installed on the fireplace.

See additional requirements and installation information in the appliance manual.

1. Remove the (16) sheet metal screws that secure the (4) cover plates at the top of the fireplace shown in Figure 4.7. Discard these four cover plates. Save the sheet metal screws for the next step.
2. Install the KZK collars that were provided with KZK-054 as shown in Figure 4.7. Reuse the sheet metal screws from the previous step.
3. Locate the convection baffles as shown in Figure 4.8. There are (2) screws that secure each convection baffles behind the upper edge of both sides of the fireplace. Remove the screws and convection baffles from the fireplace. Discard the convection baffles. See Figure 4.9 for information about airflow.
4. Frame the rough opening of the fireplace and KZK plenum. Refer to all pages of this KZK-054 manual and the Callaway ST manual. See previous pages of this manual for allowable plenum positions and rough frame opening sizes.

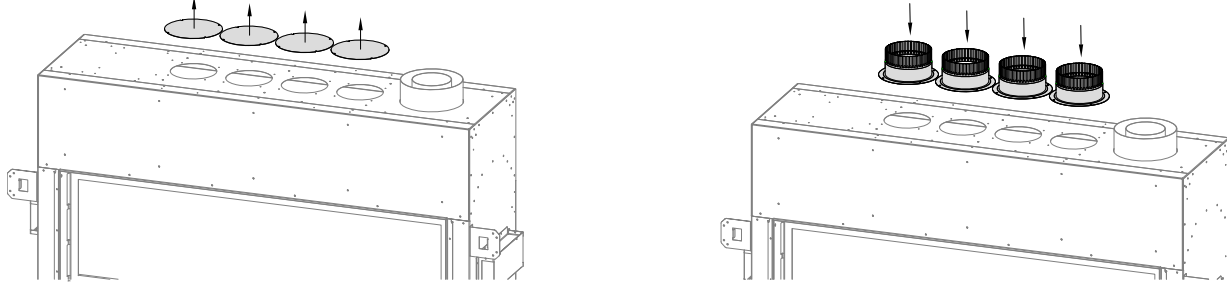


Figure 4.7 - Cover Plate Removal and Collar Installation

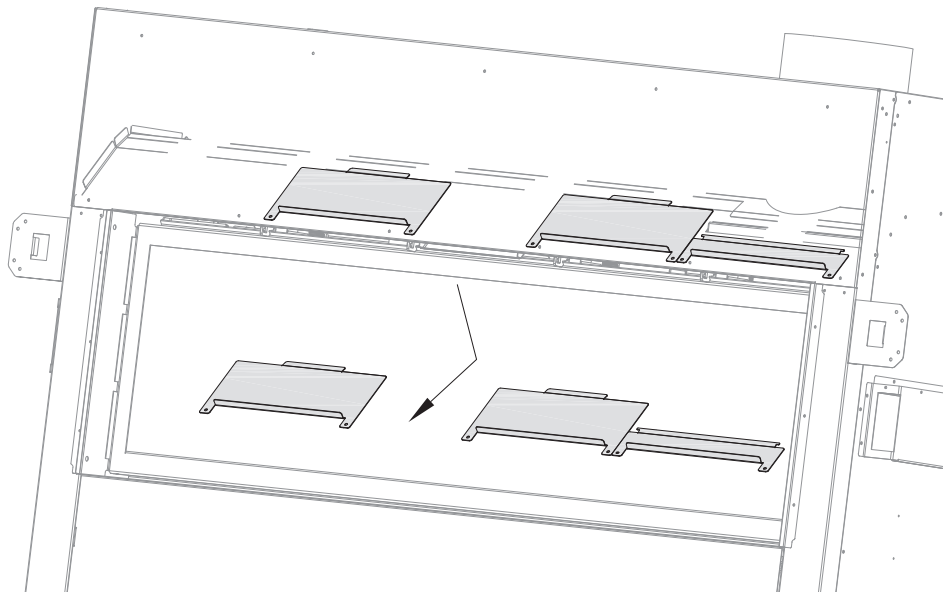


Figure 4.8 - Convection Baffles Removal

4.2 Callaway ST (continued)

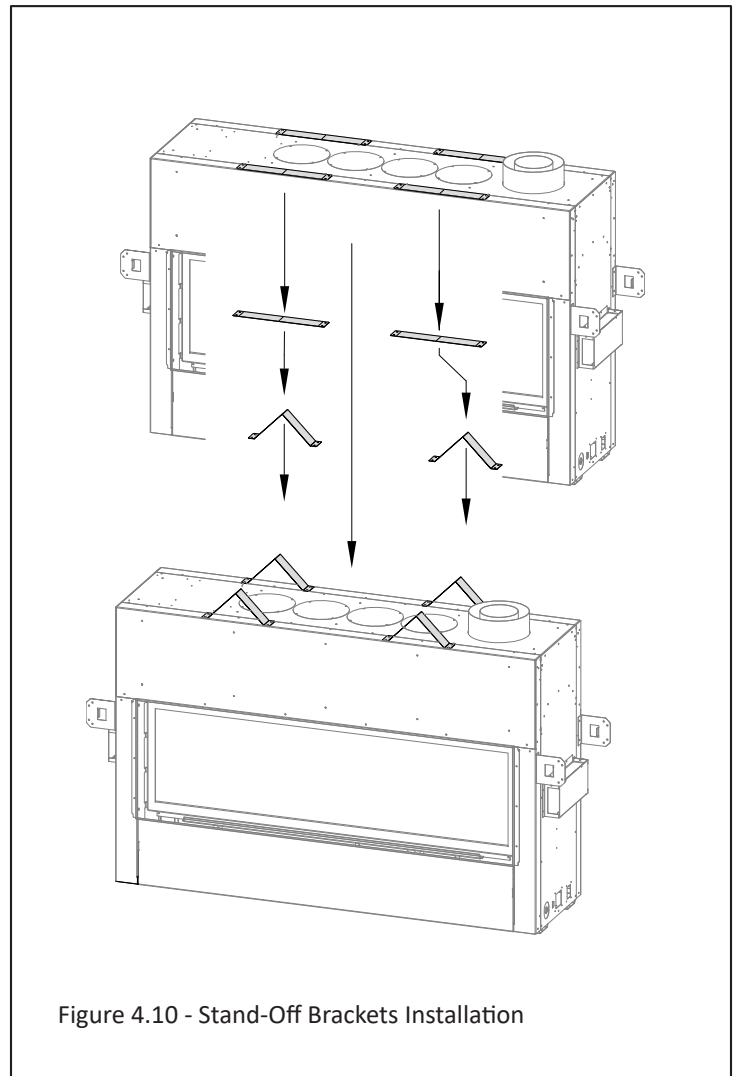
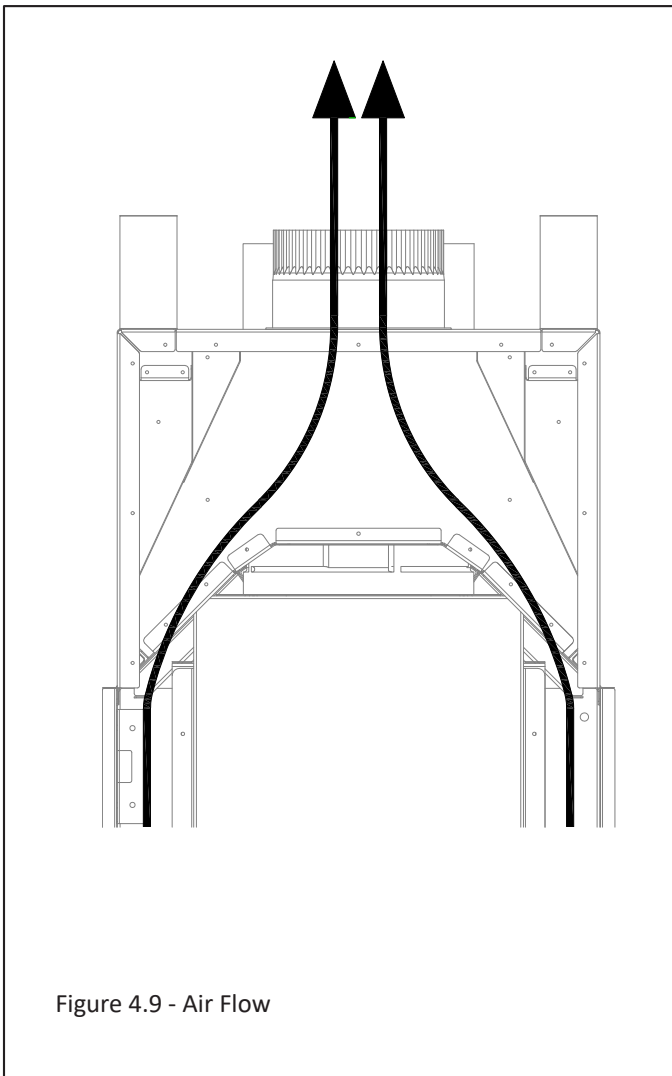
5. Install stand-off brackets. See Figure 4.10.
6. Install the plenum into the rough frame opening maintaining minimum clearances to combustibles as listed in the previous pages of this manual, and in the fireplace installation manual. Fix the plenum to the framing using nails or screw through the top mounting brackets.

NOTE: The supplied plenum support brackets are recommended to support the plenum and ducts. Ensure the plenum is level and its outlet is not distorted. Additional metal strapping maybe needed to support the weight and tubes depending on the height of the installation. See Figure 4.11.

7. Attach the ducts from all (4) plenum take-off collars to all (4) fireplace take-off collars on the fireplace. If you are mounting the plenum 10' (3.05m) or less above the fireplace, use (1) #KZK-410-6 kit or UL-181 Class 0 approved air duct. If you are mounting the plenum between 10' (3.05m) to 20' (6.10m) above the fireplace then you will need (2) #KZK-410-6 kits and #KZK-CPL6 or UL-181 Class 0 approved air duct.
8. An upward slope must be maintained in horizontal sections of the ducts for proper convection. Support horizontal sections every 24" (610mm).
9. Install the plenum discharge trim provided with the kit using (2) screws. See Figure 4.12.

If desired, the plenum discharge trim may be painted. Use high temperature paint (250°F or 120°C).

Continue with fireplace installation.



4.2 Callaway ST (continued)

