

# SPRINGFIELD 36

DIRECT VENT GAS FIREPLACE



Springfield 36 shown with an Arched Mission Screen front in Vintage Bronze with optional LedgeStone refractory

QUALITY FIREPLACES FOR LIFE.

**KOZY**  **HEAT**  
FIREPLACES

# SPRINGFIELD 36

## Fronts



**Inside Fit Screen Front**  
No Refractory  
Screen Front available in Black



**Arched Prairie Screen Front**  
with optional Black Glass panels  
Screen Front available in Black



**Full Rectangle Screen Front**  
with optional Brick Refractory  
Screen Front available in Black,  
Antique Copper, Brushed Nickel



**Rectangle Full Prairie Screen Front**  
with optional Black Glass panels  
Screen Front available in Black



**Rectangle Mission in Vintage Bronze**  
with optional Black Glass panels  
Screen Front available in Vintage Bronze



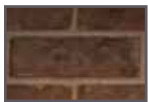
**Arched Mission in Vintage Bronze**  
with optional Black Glass panels  
Screen Front available in Vintage Bronze



Springfield 36 shown with a Full Rectangle Brushed Nickel screen front and optional Black Glass panels

## SPRINGFIELD 36

Optional Refractory



Traditional Brick



Black Brick



LedgeStone



Black Glass

*Springfield 36 comes standard with black firebox*

Remote Control



# SPRINGFIELD 36

Fireplace brochures are for advertising purposes only. Refer to the specific fireplace manual for installation.

## Specifications

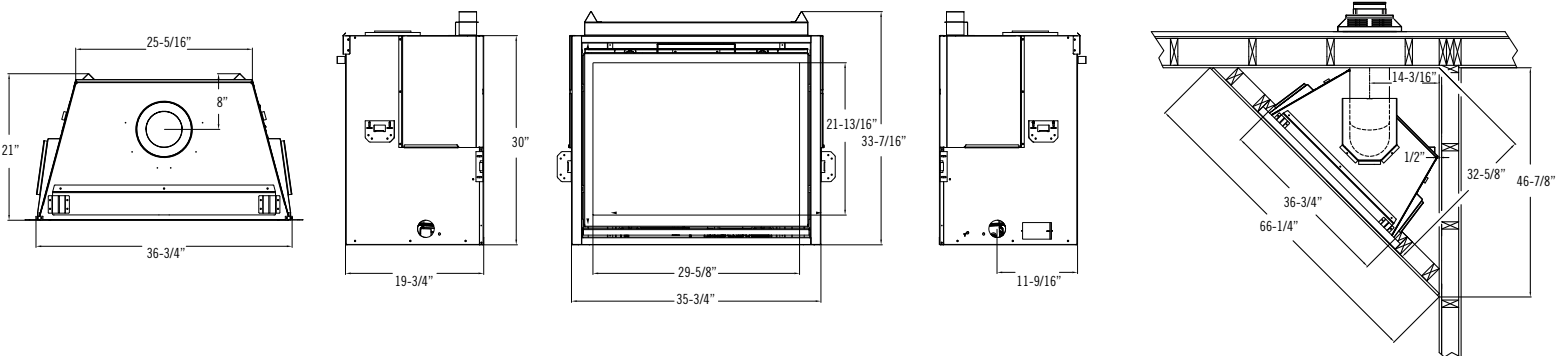
TOP

LEFT SIDE

FRONT

RIGHT SIDE

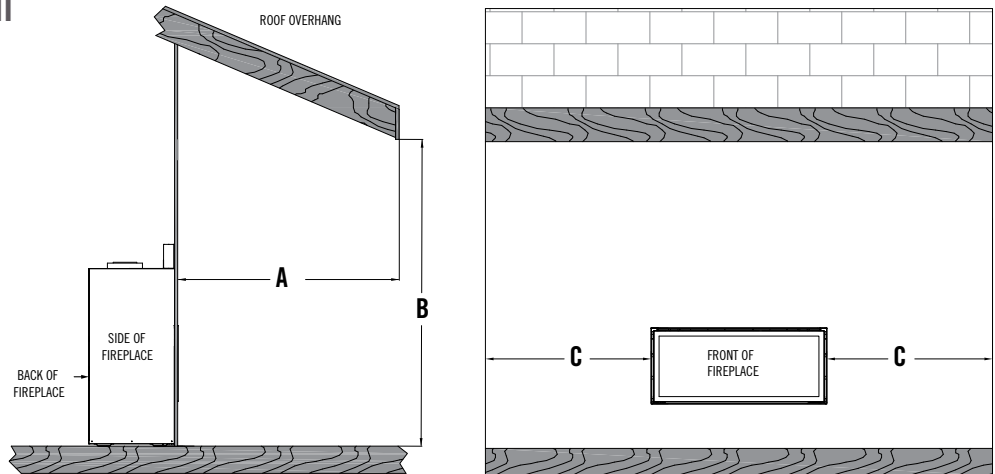
CORNER



## Outdoor Covered Fireplace Install

- Fireplace operation is approved from 40° F to 110° F
- All wiring connections shall be in accordance with outdoor requirements of NECA NFPA 70
- All clearances and requirements in your appliance manual must be adhered to

**EXAMPLE:** If roofline (B) is 10 ft. above the base of the fireplace, the overhang (A) must be 5 ft. or greater. The width of the overhang to EACH side of the fireplace (C) must be 5 ft. or greater.



The overhang (A) must be a minimum of 1/2 or greater of the roofline elevation (B) above the base of the fireplace.

The width of the overhang to each side of the appliance (C) must be a minimum of 1/2 or greater of the roofline elevation (B) above the base of the fireplace.

## Clearances

Model	Springfield 36
From Fireplace Top to 3/4 Trim	4"
From Unit Left & Right Sides & Back Standoffs	0"
From Fireplace Corners	1/2"
From Appliance Front	36"
Fireplace Bottom Standoffs to Flooring	0"
Fireplace Top to Ceiling	29-1/4"
Fireplace Enclosure Floor to 3/4" Trim	35"
Fireplace Enclosure Floor to Combustible Mantel 4" Maximum Depth	37"
Unit side to adjacent parallel sidewall	6"
Minimum Height of Fireplace Enclosure	59-1/4"

Model	Springfield 36
<b>Height</b>	30"
<b>Width</b>	35-3/4"
<b>Back Width</b>	25-5/16"
<b>Depth</b>	19-3/4"
<b>Weight</b>	210 lbs
<b>Viewing Area</b>	29-5/8" x 21-13/16"
<b>BTU NG High / Low</b>	35,000 / 18,000
<b>BTU LP High / Low</b>	35,000 / 18,000
<b>ENERGUIDE P.4 NG / LP</b>	77.5% / 76.86%
<b>Steady State NG / LP</b>	79.55% / 78.43%
<b>AFUE % NG / LP</b>	73.88% / 72.16%
<b>Valve System</b>	IPI
<b>Optional Refractory/Panels</b>	Ledgestone, Traditional Brick, Black Brick, Black Glass
<b>Ceramic Glass</b>	Standard
<b>Fan Kit</b>	Standard
<b>Ember Bed Lighting</b>	Standard
<b>Screen Front</b>	Required

## Burn Video



Refer to the installation manuals for complete installation & venting requirements. See additional mantel clearance configurations in the installation manual.

Features, Options & Specifications are subject to change.

**Each unit factory tested**

Certified to ANSI Z21.88 Vented Gas Heaters

## Heat Management Options

Model	Springfield 36
Interior Heat Transfer Kit	Optional
Exterior Heat Transfer Kit	Optional

In order to continually provide the highest quality product available, features/options, specifications, & dimensions are subject to change. Flame appearance and characteristics may be affected by altitude, fuel type, venting configuration, and other factors. Refer to the unit installation manual for complete installation instructions. Installation must conform with local building codes. **In some regions it may be possible that this appliance qualifies for an energy rebate. See your local dealer for details regarding promotions and qualifications.**

Manufactured by Husson Mfg. Co., Inc.  
204 Industrial Park Road, Lakefield, MN 56150  
Phone 1-800-253-4904 www.kozyheat.com

10-23



Product Line:



**For complete information on the Kozy Heat product line, please contact us at:**

**FOR CALIFORNIA RESIDENTS ONLY**

**⚠ California Proposition 65 Warning**

**WARNING:** This product can expose you to chemicals including Carbon Monoxide, that is an externally vented by-product of fuel combustion, which is (are) known to the State of California to cause birth defects or other reproductive harm. For more information, visit [www.P65Warnings.ca.gov](http://www.P65Warnings.ca.gov).