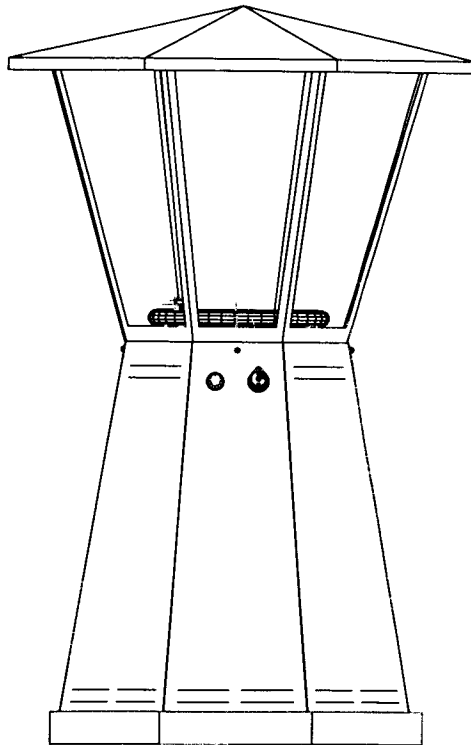




KOZY HEAT™

PF - 2000 PATIO FIREPLACE



U.S. PATENTS: #5,931,154
#6,004,493

IMPORTANT:
READ INSTRUCTIONS CAREFULLY BEFORE
INSTALLATION. FAILURE TO INSTALL THIS
FIREPLACE CORRECTLY CAN CAUSE SERIOUS
STRUCTURAL AND FIRE HAZARDS AND MAY
VOID YOUR WARRANTY.

RETAIN THIS MANUAL FOR FUTURE REFERENCE

Warnock Hersey



GLOBAL POSITIONING: N43° 40.177' W095° 10.662'
www.kozyheat.com

AUGUST 2001

INDEX

SAFETY PRECAUTIONS	1-2
I. GENERAL INFORMATION	
A. Unit specifications	2
B. Clearance to combustibles	2
II. GAS SPECIFICATIONS	3-4
A. Minimum / Maximum Pressure	3
B. Leak / Pressure Testing	3
C. Regulator & Hose Assembly	3
D. Cylinder Usage	3-4
E. Securing a Portable LP Cylinder Tank	4
III. ASSEMBLY INSTRUCTIONS	5-8
A. Attach the face	5-6
B. Assemble the top	6
C. Complete the installation	7
D. Log Placement	8
IV. LIGHTING & SHUTDOWN PROCEDURES	9-10
V. MAINTENANCE REQUIREMENTS	11
VI. BURNER SYSTEM	12-13
A. Removal	12
B. Installation	13
VII. TROUBLESHOOTING	14-15
VIII. UNIT IDENTIFICATION	15
VIII. REPLACEMENT PARTS	16

INSTALLATION & OPERATING MANUAL MODEL: PATIO FIREPLACE

This appliance has been tested to and complies with IAS 4-96 "IAS REQUIREMENTS FOR OUTDOOR GAS FIREPLACES". Installation must conform with local building codes, or, in the absence of local building codes, with the National Fuel Gas Code, ANSI Z223.1 NFPA 54, Current edition.

READ ALL OF THE ENCLOSED INFORMATION BEFORE OPERATING THIS UNIT. INSTALLATION AND REPAIR SHOULD BE DONE BY A QUALIFIED SERVICE PERSON. EVERY PERSON WHO USES THIS APPLIANCE MUST UNDERSTAND AND FOLLOW CORRECT LIGHTING PROCEDURE FOR SAFE OPERATION. NOT FOR USE BY CHILDREN. HANDLE METAL PARTS WITH CARE TO AVOID INJURY.

WARNING: If the information in this manual is not followed exactly, a fire or explosion may result causing property damage, personal injury or loss of life.

- Do not store or use gasoline or other flammable vapors and liquids in the vicinity of this or any other appliance.

WHAT TO DO IF YOU SMELL GAS:

- Do not try to light any appliance.
- Do not touch any electrical switch; do not use the phone in your building.
- Immediately call your gas supplier from a neighbor's phone. Follow the gas supplier's instructions.
- If you cannot reach your gas supplier, call the fire department.

- Installation and service must be performed by a qualified installer, service agency or the gas supplier.

WARNING: Improper installation, adjustment, alteration, service or maintenance can cause injury or property damage. Read the installation, operating and maintenance instructions thoroughly before installing or servicing this equipment.

WARNING: For Outdoor Use Only

WARNING:

DO NOT USE THIS FIREPLACE TO BURN SOLID FUELS OR TRASH. NEVER PLACE MATCHES, PAPER, GARBAGE, OR ANY OTHER MATERIAL ON TOP OF LOGS OR INTO THE FLAMES.

IMPORTANT: THIS FIREPLACE IS ONLY FOR USE ONLY WITH THE TYPE OF GAS AS EQUIPPED FOR FROM THE MANUFACTURER AND IS NOT CONVERTIBLE FOR USE WITH OTHER GASES UNLESS A CERTIFIED KIT IS USED.

IMPORTANT: THIS FIREPLACE MAY NOT BE USED TO PREPARE FOOD. GREASE AND/OR FOOD PARTICLES MAY FALL INTO AREAS OF THE APPLIANCE THAT WOULD INHIBIT PROPER OPERATION.

WARNING: Do not use this fireplace if any part of the control system has been under water. Immediately call a qualified service technician to inspect the appliance and to replace any part of the the entire control system and any gas control which has been under water.

IMPORTANT: The screens installed in this fireplace must be in place at all times when in operation to prevent foreign objects from entering the unit.

Young children should be carefully supervised when they are in the area of the appliance.

CAUTION: HOT WHILE IN OPERATION
The screens and surfaces of this fireplace become hot while in operation.
Precautions must be taken to avoid serious burns when handling.

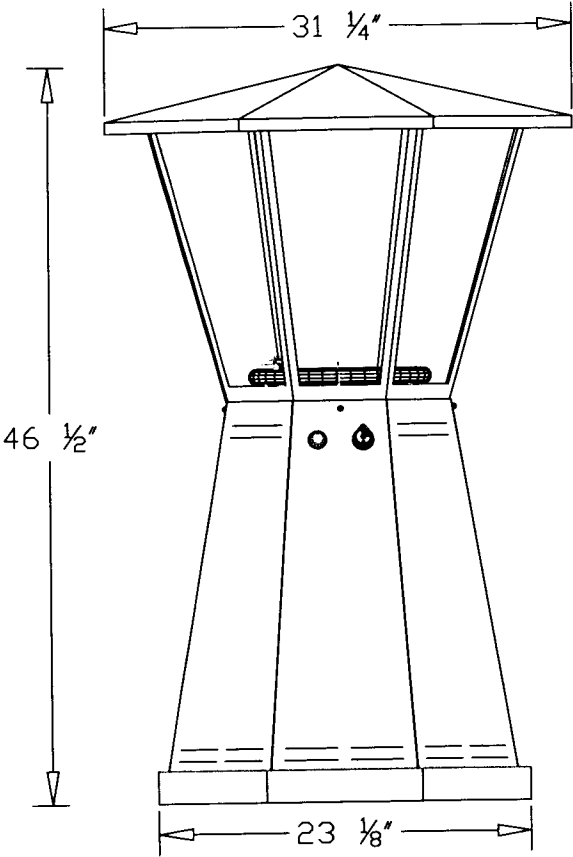
Keep burner and control compartment clean. See installation and operating instructions.

For proper ventilation around the unit, do not obstruct the upper and lower vent louvers.

I. GENERAL INFORMATION

A. UNIT SPECIFICATIONS

Height: 46 1/2"
Top width & Depth: 31 1/4"
Base width & Depth: 23 1/8"



B. CLEARANCE TO COMBUSTIBLES:

Unit to walls: 24"
Unit to ceiling*: 24"

*includes soffit, overhang, etc.

II. GAS LINE INSTALLATION GUIDELINES

A. MINIMUM / MAXIMUM PRESSURES

Natural Gas Only:

The minimum inlet gas supply pressure: 7.0 IN W.C.
The maximum inlet gas supply pressure: 7.0 IN W.C.
Manifold pressure: 7.0 IN W.C.
Input Rating: 41,800 BTU's
Orifice Size: #31

LP Gas Only:

The minimum inlet gas supply pressure: 11.0 IN W.C.
The maximum inlet gas supply pressure: 11.0 IN W.C.
Manifold Pressure: 11.0 IN W.C.
Input Rating: 44,600 BTU's
Orifice Size (0-4000 FT.): #47

B. LEAK / PRESSURE TESTING

This appliance and its individual shutoff valve must be disconnected from the gas supply piping system during any pressure testing of that system at test pressures in excess of ½ psig.

This appliance must be isolated from the gas supply piping system by closing its individual manual shutoff valve during any pressure testing of the gas supply piping system at test pressures equal to or less than ½ psig.

NOTE: Upon initial installation, it may be necessary to bleed out air in the gas lines. Do this by holding in the control knob and turning the knob to the pilot position for about 30 seconds.

C. REGULATOR AND HOSE ASSEMBLY

LP GAS MODELS: The pressure regulator and hose assembly supplied with this appliance must be used. If a replacement pressure regulator or hose assembly is needed, refer to the 'Replacement Parts' list at the back of this manual for the appropriate replacements part number. Use only the replacement parts listed in this manual. Do not substitute replacement parts.

NATURAL GAS MODELS: A regulator and hose assembly designed for Natural gas must be used to properly connect the natural gas supply line to the burner system. Maximum inlet pressure allowed is 7.0" w.c..

D. LP GAS MODELS - CYLINDER USAGE

1. The pressure regulator and hose assembly supplied with this appliance must be used. See Section 'C' above.

CAUTION: Connection directly to an unregulated LP tank can cause an explosion.

2. This appliance is designed for use with a 20# cylinder tank. The tank must be set into the cylinder tank bracket and properly secured. Refer to section E. 'SECURING A 20# LP CYLINDER TANK'.

When using a cylinder with this patio fireplace, it must be constructed and marked in accordance with the specifications for LP-gas cylinders of the U.S. Department of Transportation (DOT). The cylinder must be equipped with the following:

- a. A pressure regulator / hose which will limit gas pressure output to not more than 11 inches water column.
- b. The cylinder must include a collar to protect the cylinder valve.
- c. A safety relief device having direct communication with the vapor space of the cylinder.
- d. Marking to indicate D.O.T. number.
- e. A shut-off valve termination in a valve outlet No. 510 (female pol) as in the standard for compressed Gas Cylinder Valve Outlet and Inlet Connections ANSI/CGA-V-1-1977.
- f. A supply system arranged for vapor withdrawal.

This fireplace must be used only outdoors in a well-ventilated space and shall not be used in a building, garage or any other enclosed area.

Storage of this fireplace indoors is permissible only if the cylinder is disconnected and removed from the appliance.

Cylinders must be stored outdoors in a well-ventilated area out of the reach of children. Disconnected cylinders must have threaded valve plugs tightly installed and must be not stored in a building, garage or any other enclosed area.

The cylinder tank must be installed, transported and stored in an upright position and should not be dropped or handled roughly.

The cylinder should never be transported or stored where the temperature can reach 125 degrees F. (Too hot to hold -for example, in a closed car trunk.)

IMPORTANT: The gas supply must be turned off at the LP gas supply cylinder when this fireplace is not in use.

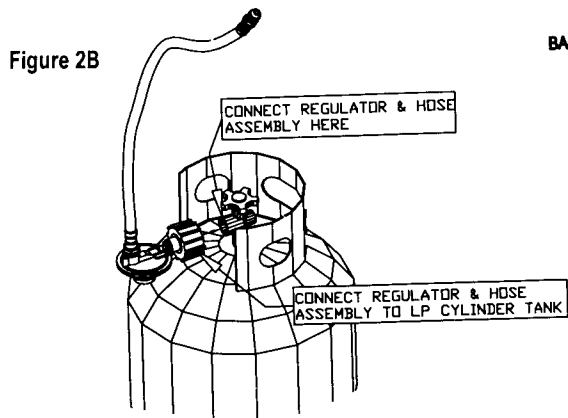
Refilling your propane gas cylinder - Remember that there may still be some gas in the cylinder. Always close the valve before disconnecting. Do not use a wrench as this will damage the knob and require repair by your propane dealer. Dented or rusty cylinders may be hazardous. Consult your propane dealer (listed in the yellow pages under GAS) if you are ever in doubt. The joint at which the Pol Adaptor goes into the cylinder valve **MUST** be leak tested with soapy water **EACH** time the cylinder is reconnected after being filled.

3. Connection to a remote cylinder tank must only be done by a qualified installer in accordance with local codes, or in the absence of local codes, with the National Fuel Gas Code, ANSI Z223.1-1992.

E. SECURING A 20# LP CYLINDER TANK

1. To remove the back cover from the fireplace to expose the LP cylinder mounting bracket, lift the back panel of the fireplace up, releasing the tabs from the mounting holes and remove. Set aside where it will not be damaged. See fig. 2A.

2. Connect the regulator / hose assembly to the threaded outlet connection on the cylinder. See figure 2B.



3. Set the 20# cylinder tank into the mounting hole in the bottom of the base. The cylinder bottom must set on the base of the fireplace. Rotate the tank so it is positioned as shown in figure 2C.

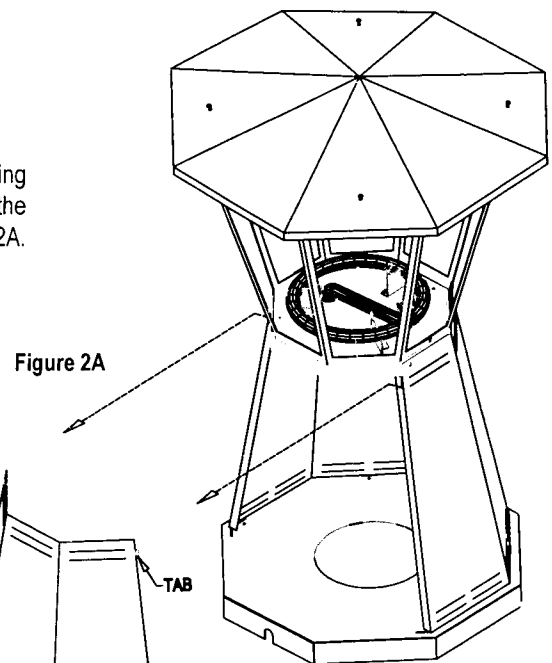
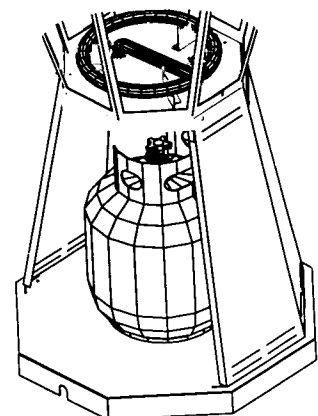


Figure 2C



III.

PATIO FIREPLACE ASSEMBLY / INSTALLATION INSTRUCTIONS

WARNING: Improper installation adjustment, alteration, service or maintenance can cause injury or property damage. Read the installation, operating, and maintenance instructions thoroughly before installing or servicing this equipment.

FOR YOUR SAFETY

If you smell gas:

1. Shut off gas to the appliance
2. Extinguish any open flame.
3. If odor continues, immediately call your gas supplier.

REMEMBER

It is your responsibility to properly assemble, install, operate and care for your patio fireplace. Failure to follow the instructions as outlined could result in serious bodily harm and / or property damage.

As you complete each step, place a check mark in the boxes provided. This will simplify finding your place again when you are ready to begin the next step.

For complete installation and assembly you should have:

- | | | | | |
|--------------------------|-----------------|-----------|--------------------------|---------------------------------------|
| <input type="checkbox"/> | Patio Fireplace | Includes: | <input type="checkbox"/> | Base/body |
| | | | <input type="checkbox"/> | Face with screen |
| | | | <input type="checkbox"/> | Top (2 pc.) |
| | | | <input type="checkbox"/> | Burner System - Natural Gas or LP Gas |
| | | | <input type="checkbox"/> | Regulator & Hose assembly - LP Gas |
| | | | <input type="checkbox"/> | Natural Gas conversion kit |
| | | | <input type="checkbox"/> | Log set & klinkers |
| | | | <input type="checkbox"/> | Control Panel Label |

You will need the following:

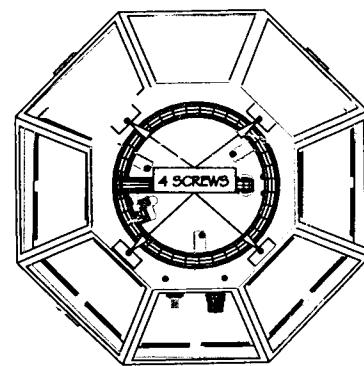
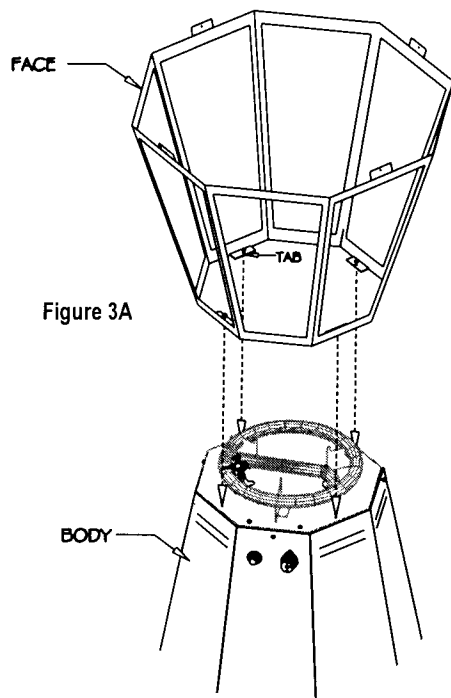
- | | | | |
|--------------------------|--|--------------------------|---------------------------|
| <input type="checkbox"/> | 7/16" wrench or 7/16" socket and ratchet | <input type="checkbox"/> | Phillips head screwdriver |
| <input type="checkbox"/> | 8" adjustable wrench | <input type="checkbox"/> | 3/4" Wrench |
| <input type="checkbox"/> | Tape measure (helpful in determining clearances) | <input type="checkbox"/> | 1/4" Nut driver |

1. Desired location must comply with minimum clearances to combustibles as outlined on page #2.
2. Check the valve label to be certain that it is designated for your type of gas (Natural gas or LP gas). This valve is not convertible for any gas type other than as factory-equipped.
3. Remove the back panel of the fireplace and remove the log set and klinkers. Set aside for later installation.

FIREPLACE ASSEMBLY:

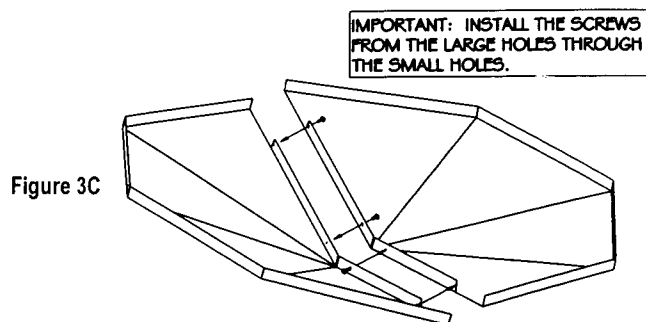
A. ATTACH THE FACE TO THE BODY:

1. Align the holes in the (4) tabs on small end of the face to the 4 holes in the burner system board as shown. See figure 3A. □
2. Secure the face to the body with (4) phillips head screws provided. Refer to figure 3B. □



B. ASSEMBLE THE TOP:

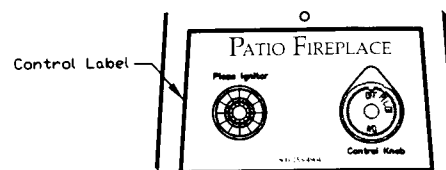
1. Set the top pieces on a protected surface where they will not become scratched during assembly. □
2. Align the 2 sets of large holes to the corresponding small holes as shown in figure 3C. □
3. Secure both pieces together with the 4 black sheet metal screws provided, threading through the large holes first then through the small holes as shown in figure 3C. □
4. Set aside for installation later in this manual. □



C. COMPLETE THE INSTALLATION:

1. Position fireplace in desired location. □

2. Affix control label, included in the components packet, to the front of the fireplace, aligning the holes in the label to the holes in the front of the unit.



3. Refer to pages #3 & #4 for instructions on securing an LP cylinder □

- a. Connect the gas supply to the burner system by inserting the male end of the regulator / hose assembly into the threaded female end of the flexible gas line attached to the valve and tighten.

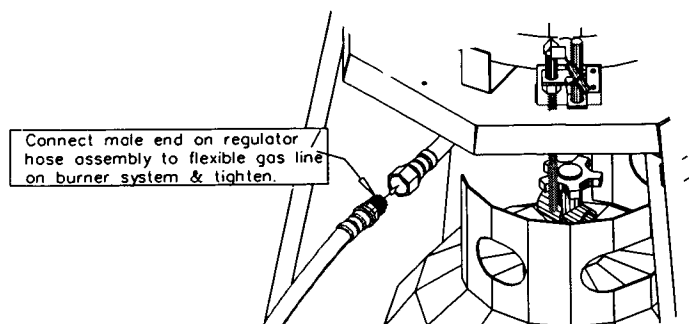


Figure 3D

NATURAL GAS

Installation must conform with local codes, or in the absence of local codes, with the National Fuel Gas Code ANSI Z223.1-1992.

IMPORTANT: A regulator and hose assembly designed for Natural Gas must be used between the incoming gas line and connection to the burner system. Maximum inlet pressure allowed is 7.0" w.c.. Refer to figure 2B, page #4 of this installation manual.

LP GAS

NOTE: All new LP tanks are empty when shipped and must be properly purge before filling by your local LP dealer.

The regulator and hose assembly included with LP gas models must be used to reduce the supply tank pressure to a maximum of 11" w.c. Refer to figure 2B, page #4 of this installation manual.

CAUTION: Connection directly to an unregulated LP tank can cause an explosion.

If you are using the optional 20# portable cylinder tank, it must be properly installed and secured to the base of the fireplace as outlined on page 4 of this manual.

If connection to a remote cylinder tank is desired, installation must be done by a qualified installer in accordance with state and local codes or NFPA #58 - Current Edition.

4. Check all connections, whether field or factory made, for leaks. □

5. Position log set and klinkers in the fireplace according to instructions & figures 3-E & 3-F. □
- a. Place the log set into position by aligning the groove on the inside of the outer ring to the corner of the face at the pilot location as shown in figure 3-E.

NOTE: THE GROOVE SHOULD BE ALIGNED WITH BOTH THE PILOT AND CORNER OF THE FACE.

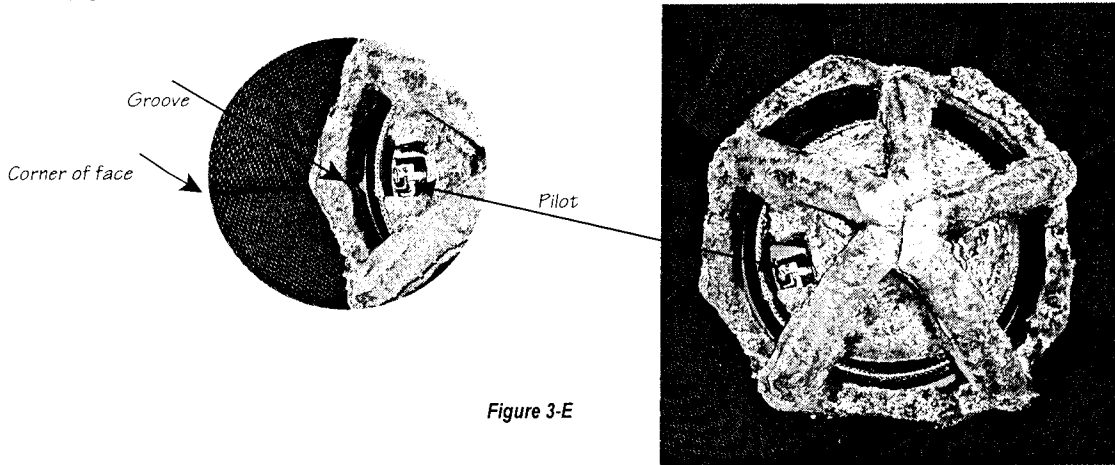


Figure 3-E

- b. Place the klinkers evenly around the outside of the log set between the screened face and log as shown in figure 3-F.

NOTE: DO NOT PLACE KLINKERS OVER THE BURNER TUBE!

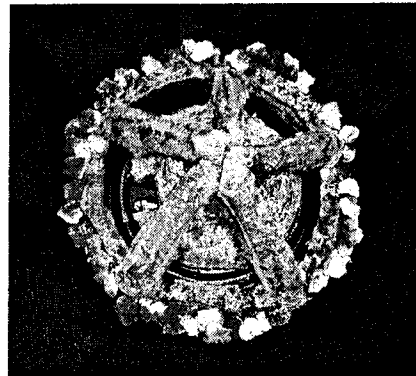


Figure 3-F

KLINKERS & ONE-PIECE LOG SET INSTALLED

D. ATTACH THE TOP:

1. Align the 4 holes in the top to the holes in the tabs at the top of the face and secure with 4 screws provided. See figure 3-G.

Position top onto the face of the fireplace by aligning the 4 holes in the top to the holes in the tabs at the top of the face. Secure with 4 screws.

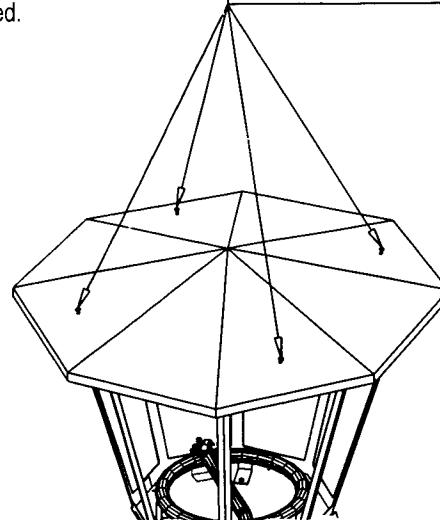


Figure 3-G

IV. LIGHTING & SHUTDOWN

IMPORTANT

INSPECT THE BURNER BEFORE EACH USE OF THIS FIREPLACE. THE BURNER MUST BE REPLACED PRIOR TO OPERATING THIS APPLIANCE IF THE BURNER HAS BEEN DAMAGED. THE APPROPRIATE REPLACEMENT PARTS ARE LISTED AT THE BACK OF THIS MANUAL. USING ANOTHER MANUFACTURER'S COMPONENTS MAY CAUSE DANGEROUS OPERATION AND WILL VOID YOUR WARRANTY.

INSPECT THE HOSE BEFORE EACH USE OF THIS FIREPLACE. THE HOSE ASSEMBLY MUST BE REPLACED PRIOR TO THE APPLIANCE BEING PUT INTO OPERATION IF THERE IS EVIDENCE OF EXCESSIVE ABRASION OR WEAR, OR IF THE HOSE IS DAMAGED. SEE PAGE 4 FOR INSTRUCTIONS TO GAIN ACCESS FOR INSPECTION. REFER TO THE BACK OF THIS MANUAL FOR THE APPROPRIATE REPLACEMENT PARTS. DO NOT SUBSTITUTE WITH ANOTHER MANUFACTURER'S PARTS.

NOTE: Prior to lighting, check all fittings for leakage. This is accomplished by applying soapy water on all connections made. If there is any leakage, bubbles will appear at the point of connection. If bubbles occur, tighten the fittings until the bubbles no longer appear. **DO NOT ALLOW SOAPY WATER TO GET INTO THE PILOT!**

IMPORTANT: TEST ALL CONNECTIONS WHETHER FIELD OR FACTORY MADE.


NOTE: The appliance and its individual shutoff valve must be disconnected from the gas supply piping system during any pressure testing of that system at test pressures in excess of 1/2 psi.

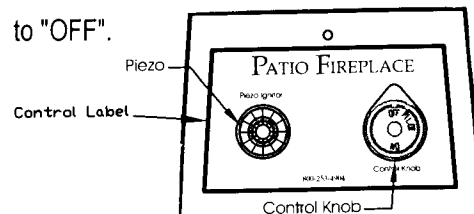
NOTE: The appliance must be isolated from the gas supply piping system by closing its individual manual shut off valve during any pressure testing of the gas line at test pressures equal to or less than 1/2 psi.

WARNING: DO NOT PLACE HEAD OR BODY PARTS INSIDE THE FIREPLACE WHEN LIGHTING THE PILOT OR MAIN BURNER.

NOTE: Read 1-10 before lighting the unit for the first time. If these procedures are not followed, an explosion may result.

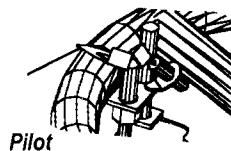
IMPORTANT: MAKE SURE THE BURNER TUBE IS PROPERLY SEATED ONTO THE BURNER ORIFICE BEFORE LIGHTING THIS FIREPLACE.

1. Make sure the manual shut off valve is fully open.
2. Push in the black control knob slightly and turn clockwise  to "OFF".



Piezo and Control knob located at front of fireplace

3. Wait five (5) minutes to clear out any gas. Smell for gas, including near the floor. If you smell gas, STOP! Follow the safety information on pages #1, 2 & 5 of this installation manual. If you don't smell gas, go to the next step.
4. Locate the pilot on the left side of the burner system.



5. Turn the control knob counterclockwise ↶ to the "PILOT" position.
6. Push in the black control knob all the way and hold in. Press the RED piezo ignitor button. The pilot will generally light with two or three pushes on the ignitor.
7. Hold the control knob in for about one (1) minute after pilot is lit. Release knob and it will pop back out. Pilot should remain lit.
 - * If control knob does not pop out when released, stop and immediately contact your service technician or gas supplier.
 - * If pilot does not stay lit after several tries, turn the gas control knob to "OFF" and call your service technician or gas supplier.

NOTE: If pilot goes out, STOP! Wait five (5) minutes before attempting to light pilot again. Repeat steps 5-7.

8. To light the burner, turn the black control knob counterclockwise ↶ to the "ON" position.

<p>CAUTION Do not try to adjust heating levels by using the manual shut off valve.</p>

9. To turn the burner off, turn the control knob clockwise ↷ to the "PILOT" position.
NOTE: The pilot will stay lit.

10. To turn the pilot off, push in and turn the control knob clockwise ↷ to the "OFF" position.

NOTE: A PAINT SMELL WILL OCCUR DURING THE FIRST FEW HOURS OF BURNING.

<p>NOTE: Children and adults should be alerted to the hazards of high surface temperature and should stay away to avoid burns or clothing ignition. Young children should be carefully supervised when they are in the area of this appliance.</p>

Clothing or other flammable material should not be hung from the appliance, or placed on or near the appliance.

V. MAINTENANCE REQUIREMENTS

IMPORTANT: INSTALLATION AND REPAIR SHOULD BE DONE BY A QUALIFIED SERVICE PERSON.

CAUTION: DO NOT USE THIS FIREPLACE IF ANY PART HAS BEEN UNDER WATER. IMMEDIATELY CALL A QUALIFIED SERVICE TECHNICIAN TO INSPECT THE ROOM HEATER AND REPLACE ANY PART OF THE CONTROL SYSTEM AND ANY GAS CONTROL WHICH HAS BEEN UNDER WATER.

THE BURNER MUST BE REPLACED PRIOR TO OPERATING THIS FIREPLACE IF THE BURNER HAS BEEN DAMAGED. THE APPROPRIATE REPLACEMENT PARTS ARE LISTED AT THE BACK OF THIS MANUAL. USING ANOTHER MANUFACTURER'S COMPONENTS MAY CAUSE DANGEROUS OPERATION AND WILL VOID YOUR WARRANTY.

1. This fireplace should be inspected at least once a year by a professional service person.

NOTE: The fireplace should be inspected before use and at least annually by a qualified service person. More frequent cleaning may be required as necessary. It is imperative that control compartments, burners and circulation air passageways of the appliance be kept clean.

CAUTION: LABEL ALL WIRES PRIOR TO DISCONNECTION WHEN SERVICING CONTROLS. WIRING ERRORS CAN CAUSE IMPROPER AND DANGEROUS OPERATION. VERIFY PROPER OPERATIONS AFTER SERVICING.

2. The compartment below the firebox and the burner must be cleaned at least once a year.

If the burner fails to ignite properly, it may be due to particles that have accumulated in the burner port holes. The burner may be removed for easier access. Refer to page #12 for complete removal instructions.

Cleaning should be done when the appliance is cold. Do not use any cleaning solvent / fluids to clean the log set or any other part of this appliance.

A vacuum cleaner may be used to clean this appliance. Remove the logs and coals. Carefully vacuum dust and loose particles from the base, log set and around the burner. Gloves should be used when handling the logs to prevent irritating the skin.

3. When this appliance is used with an LP cylinder, the regulator hose must be inspected before each use of the appliance.

The hose assembly must be replaced prior to operating this appliance if there is evidence of excessive abrasion or wear, or if the hose is damaged. This may be ordered from your local dealer.

4. Visually check the pilot light and burner when they are burning. See Figures #5A & #5B. The flames should be steady, not lifting or floating.

Figure 5A

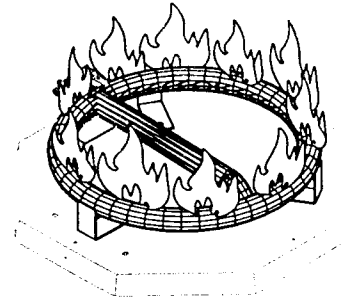
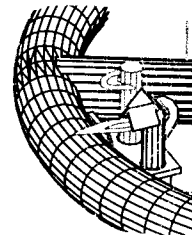


Figure 5B



5. The fireplace screen may discolor after several uses. This may be repainted by using a high temperature rated paint. Four (4) ounce aerosol cans are available from your local dealer for this purpose.

IMPORTANT: ANY GUARD OR OTHER PROTECTIVE DEVICE REMOVED FOR SERVICING MUST BE REPLACED PRIOR TO OPERATING THIS APPLIANCE.

WARNING: FAILURE TO POSITION THE PARTS IN ACCORDANCE WITH THE DIAGRAMS OR FAILURE TO USE ONLY PARTS SPECIFICALLY APPROVED WITH THIS HEATER MAY RESULT IN PROPERTY DAMAGE OR PERSONAL INJURY.

CAUTION: Keep the appliance area clear of combustible materials, such as gasoline and other flammable vapors and liquids.

VI. BURNER SYSTEM

The burner system board may only be used for the type of gas as listed and is not convertible for use with other gases unless a certified kit is used.

IMPORTANT: All controls and valves have been pre-set at the factory. Do not attempt to adjust these settings as it may result in improper operation. If you experience any problems with this fireplace please contact your dealer for specific instructions.

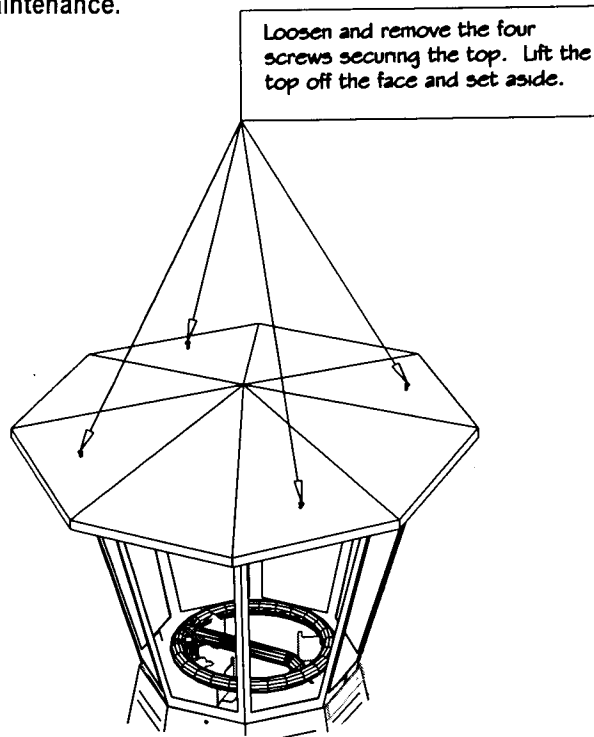
This fireplace is equipped with the burner system installed at the factory. Follow these instructions in the event that the burner system must be removed for servicing or maintenance.

A. REMOVAL:

1. REMOVE THE TOP:

- Remove the back panel from the fireplace. Refer to figure 2A, page 4.
- Turn off gas supply.
- Disconnect gas supply at the flexible gas line provided.
- Remove the top of the fireplace by loosening and removing the four phillips head screws securing it to the base. Remove the top and set aside. See figure 6A.

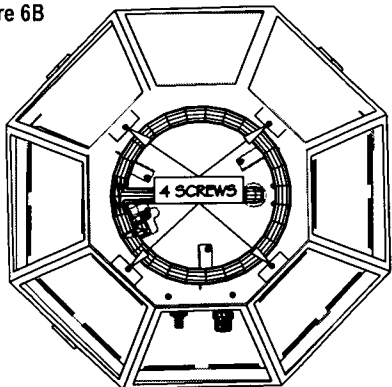
Figure 6A



2. REMOVE THE LOG SET & FACE:

- Carefully remove the klinkers & log set. Set aside where they will not be broken.
- From inside loosen and remove the 4 phillips head screws securing the face to the base of the fireplace. Remove the face and set aside. See figure 6B.

Figure 6B



3. REMOVE THE BURNER SYSTEM:

- Loosen and remove the (2) side and (1) front phillips head screws securing the burner system. See figure 6C.
- Remove the burner system.

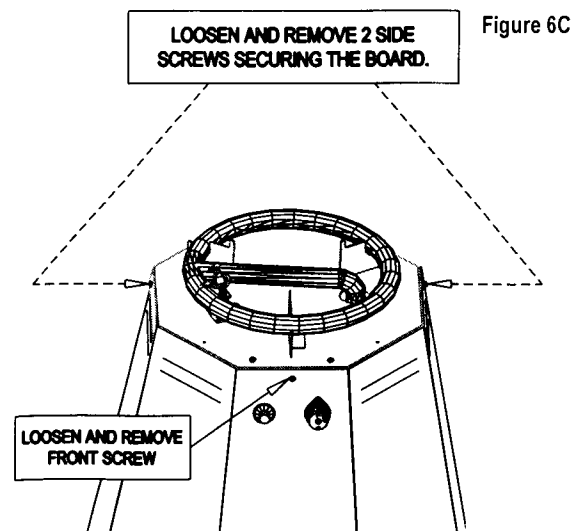


Figure 6C

B. Installing the burner system.

CAUTION: Before securing the burner system into place, make sure that all of the wires (attached under the board) are clear and unobstructed.

1. Place the burner system into the body of the fireplace sliding the piezo ignitor and control knob thru the holes in the front.
2. Align the two holes at the side and the hole at the front of the burner system to the corresponding holes on the body of the fireplace. Secure with 3 phillips head screws. Refer to figure 6C on page 12.

REPLACE THE FACE:

1. Align the holes in the tabs of the face to the holes in the top of the burner system and secure with 4 phillips head screws. Refer to figure 6B, page 12.

REPLACE THE KLINKERS AND LOGS:

1. Place the log set into position by aligning the groove on the inside of the outer ring to the corner of the face at the pilot location as shown in figure 3-E, page 8.

NOTE: THE GROOVE SHOULD BE ALIGNED WITH BOTH THE PILOT AND CORNER OF THE FACE.

2. Place the klinkers evenly around the outside of the log set between the screened face and log as shown in figure 3-F page 8.

REPLACE THE TOP:

1. Align the 4 holes in the top piece of the fireplace to the corresponding holes in the tabs on the face of the fireplace and secure 4 phillips head screws. Refer to figure 6A, page 12.

COMPLETE THE INSTALLATION:

1. Connect gas supply at the flexible gas line. Turn on gas supply.
2. Check all connections whether field or factory made for leaks.
3. Light the fireplace following the instructions in the "Lighting & Shutdown" section of this manual to visually check the pilot and burner flames.

VII. TROUBLESHOOTING

PROBLEM	CAUSE	REMEDY
Pilot won't light	Gas has not been turned on	Turn gas supply on Open manual shut-off valve.
	Air in the line.	Purge air in the line by holding in the control knob while in the "pilot" position for several minutes. Contact a qualified plumber to purge the air in the at the nearest connection to the unit.
	No spark at ignitor.	Visually check for spark at ignitor. Check wire connection at pilot. Check for pinched piezo wire either by the ODS board or pipe connection made by the plumber.
	LP cylinder tank empty.	Fill tank.
	LP cylinder tank regulator frozen or vapor locked.	Allow ample time to thaw . This can happen when the cylinder tank is 3/4 or more empty
	Valve has not reset.	Wait for the valve to reset. You will hear a 'click' approximately one minute after pilot has been turned off.
Control knob will not turn.	Valve has not reset.	Wait for valve to reset. You will hear a 'click' approximately one minute after pilot has been turned off.
Burner won't light	Pilot not lit.	Light pilot.
	Control knob has not been turn to the "on" position.	Turn control knob counter clockwise to the "on" position.
	LP cylinder tank almost empty.	Fill tank.
	Shut valve not fully open.	Check shut off valve and open.
Unit turns off	LP tank not purged properly.	Must be done by a qualified LP Distributor.
	LP cylinder tank almost empty.	Fill tank.
	There is a leak in the gas line or gas line connection.	Check all connections whether field or factory made for leaks.
	Obstruction at or near pilot.	Remove any obstructions.

PROBLEM	CAUSE	REMEDY
(Unit turns off cont.)	Log set not positioned properly.	Position log set as shown on page 8.
	Burner and / or pilot dirty.	Have burner and pilot cleaned by a qualified service technician.
Carbon Build Up	Log set not positioned properly.	Check placement and follow instructions and diagram on page 8.
	Venturi on burner closed too far.	Slightly open venturi more.
Flame Too Blue	Venturi open too far.	Close to 1/4" - 3/8" open. (if closed too far, carbon can appear.)

VIII. UNIT IDENTIFICATION

PLEASE RETAIN THIS MANUAL FOR FUTURE REFERENCE.

INSTALLER / HOMEOWNER: Please complete the following information prior to installation.

PURCHASE DATE: _____

MODEL NUMBER: _____

CERTIFICATION LABEL # WHI: _____

**BURNER SYSTEM
SERIAL NUMBER:** _____

VIII. REPLACEMENT PARTS

The following replacement parts may be purchased from your local dealer.

<u>Part Number</u>	<u>Description</u>
PF-400	Burner System - Natural Gas.
PF-401	Burner System - LP Gas
700-032	Piezo
700-036	Generator
700-037	Pilot with electrode
700-212	12" Flexible Gas Line
700-224	24" Gas Line - Valve to Burner Orifice connection
700-258	LP Pilot Bonnet
700-259	Natural Gas Pilot Bonnet
700-231	Natural Gas Burner orifice - #31
700-247	LP Gas Burner orifice - #47
PF-035	Burner Tube
600-205	LP Regulator / hose assembly
PF-50A	Log Set
900-KLK	Klinkers

**Model PF-2000
PATIO FIREPLACE**

U.S. PATENTS: #5.931.154
#6.004.493

Manufactured by:

**Hussong Manufacturing Co., Inc.
204 Industrial Park Drive
Lakefield, Minnesota 56150**

August 2001

www.kozyheat.com