



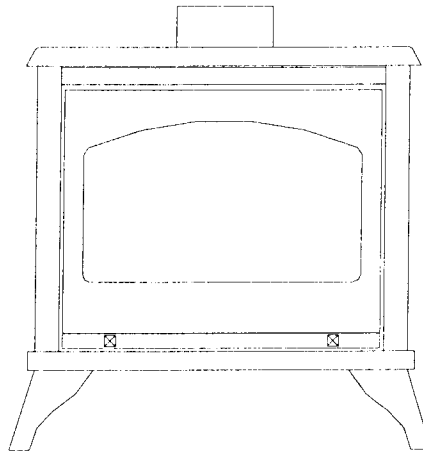
## **INSTALLATION & OPERATING MANUAL**

**MODEL #56150**

**'THE LAKEFIELD'**

**Free-Standing Direct Vent  
Fireplace**

*U.S. Patent Number 5,931,154  
U.S. Patent Number 6,004,493*



**IMPORTANT:  
READ INSTRUCTIONS CAREFULLY BEFORE  
INSTALLATION. FAILURE TO INSTALL THIS  
FIREPLACE CORRECTLY CAN CAUSE SERIOUS  
STRUCTURAL AND FIRE HAZARDS AND  
MAY VOID YOUR WARRANTY.**

GLOBAL POSITIONING: N43 AC 177 W025010.000

INDEX

<u>DESCRIPTION</u>	<u>PAGE</u>
Safety Requirements / Specifications .....	1-2
Clearances .....	2
Venting Guidelines .....	3-5
Position the Unit .....	6
Chimney Framing Dimensions / Minimum Vent Runs .....	6-7
Set the Unit into Position .....	7
Removing the Arched Glass Assembly .....	7
Install the Chimney .....	7
Gas Line Installation Requirements - Minimum/Maximum Pressures .....	8-9
Millivolt Board Removal / Installation .....	9-10
Log Installation .....	11
Thermostat - Remote Control - Wall Switch Installation .....	12
Completing the Installation Seasonal Heat Dump Adjustment, Replace the Glass) .....	13
Lighting & Shutdown Procedures .....	14-15
Manifold (outgoing) & Inlet (incoming) Pressure Check Procedures .....	16
Maintenance Requirements .....	17
Troubleshooting .....	18-19
Replacement Parts .....	20
Warranty Policy .....	21-22

# INSTALLATION & OPERATING INSTRUCTIONS

**IMPORTANT:**

**READ THIS MANUAL BEFORE INSTALLING AND USING THIS FIREPLACE**

## MODEL #56150 'THE LAKEFIELD' FREESTANDING DIRECT VENT

**INSTALLATION AND SERVICE MUST BE PERFORMED BY A QUALIFIED INSTALLER, SERVICE AGENCY OR THE GAS SUPPLIER.**

**WARNING:** If the information in this manual is not followed exactly, a fire or explosion may result, causing property damage, personal injury or loss of life.

This fireplace has been tested to and complies with ANSI Z21.88.CSA 2.33-M98 "VENTED GAS FIREPLACE HEATERS" by Intertek Testing Services, Middleton, Wisconsin. Installation must conform with local building codes or in the absence of local building codes, with the National Fuel Gas Code, ANSI Z223.1, NFPA 54 - Current Edition.

This appliance may be installed in an aftermarket permanently located, manufactured (mobile) home, where not prohibited by local codes. This appliance is only for use with the type(s) of gas indicated on the rating plate. This appliance is not convertible for use with other gases, unless a certified kit is used.

### FOR YOUR SAFETY WHAT TO DO IF YOU SMELL GAS

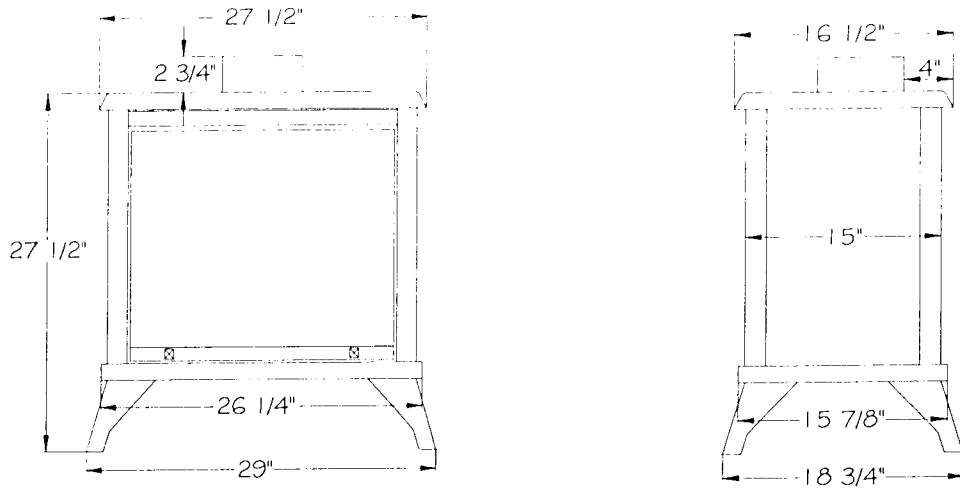
- ◆ Open windows.
- ◆ Extinguish any open flame.
- ◆ Do not try to light any appliance.
- ◆ Do not touch any electrical switch; do not use any phone in your building.
- ◆ Immediately call your gas supplier from a neighbor's phone. Follow the gas supplier's instructions.
- ◆ If you cannot reach your gas supplier, call the fire department.
- ◆ Do not store or use gasoline or other flammable vapors and liquids in the vicinity of this or any other appliance.

**WARNING:** Do not use this fireplace if any part has been under water. Immediately call a qualified service technician to inspect this appliance and to replace any part of the control system and any gas control which has been under water.

**WARNING: DO NOT REPLACE THIS BURNER UNIT WITH ANY OTHER SIZED BURNER. REPLACEMENT WITH AN UNAUTHORIZED BURNER CAN RESULT IN TEMPERATURES EXCEEDING THE LIMITS FOR THIS UNIT, AND VOID YOUR WARRANTY.**

**UNIT SPECIFICATIONS - Figure 1:**

HEIGHT: 27 1/2"                      WIDTH (EXCLUDING LEGS): 26 1/4"  
 DEPTH: 18 3/4"                      WIDTH (INCLUDING LEGS): 29"  
 FLUE SIZE: 4" exhaust, 6 5/8" intake

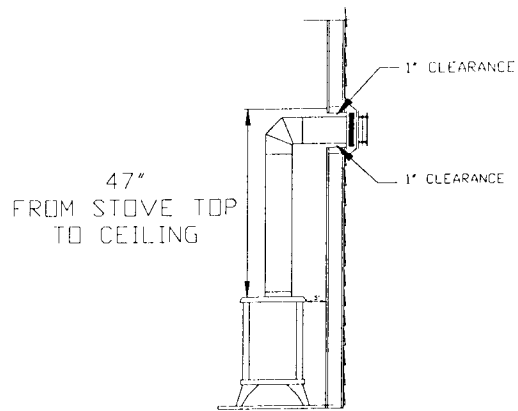


**FIGURE 1**

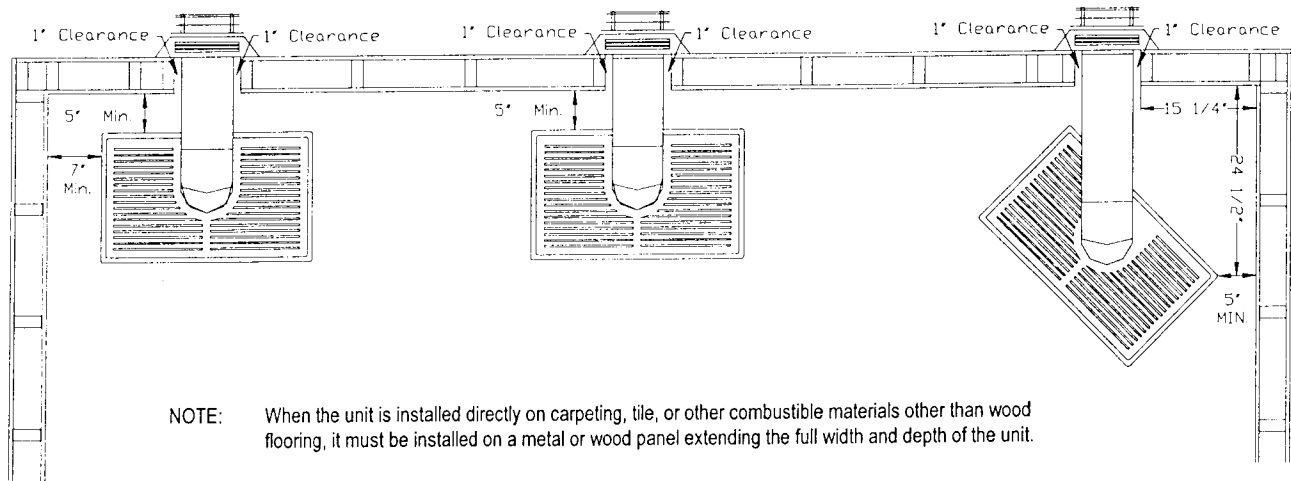
**CLEARANCES:**

The following clearances to combustibles must be maintained:

- Unit\* to sidewall: 7"
- Unit\* to backwall: 5"
- Unit top to ceiling: 47"
- From flue vent: 1"



\*Measurement is from the top corner of the fireplace.



NOTE: When the unit is installed directly on carpeting, tile, or other combustible materials other than wood flooring, it must be installed on a metal or wood panel extending the full width and depth of the unit.

**FIGURE 2**

## VENTING GUIDELINES

**IMPORTANT:** THIS FIREPLACE IS APPROVED FOR USE WITH SIMPSON DURA-VENT GS CHIMNEY SYSTEM 4" X 6 5/8" FOR HORIZONTAL AND VERTICAL TERMINATIONS.

**NOTE:** This fireplace is manufactured with the appropriate adaptor for proper connection of the Simpson Dura-Vent DV-GS Chimney System.

**IMPORTANT:** Refer to the Simpson Dura-Vent DV-GS installation manual for complete installation instructions. Installation must conform with the venting requirements & restrictions as outlined in this manual.

---

### MINIMUM / MAXIMUM VENTING REQUIREMENTS:

Minimum horizontal vent run: 1 ft.

Minimum vertical vent run: 3 ft.

Maximum horizontal vent run: 21 ft.

Maximum vertical vent run: 40 ft. \*

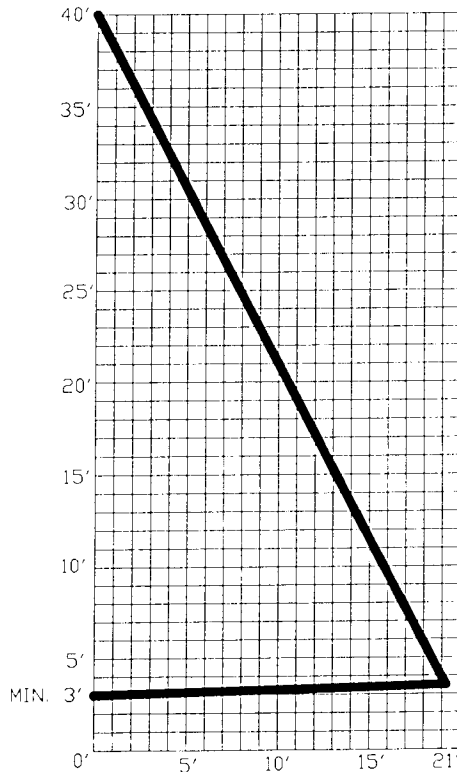
**IMPORTANT:** 1/4" incline per horizontal foot must be maintained.

**Elbows:** (2) 90-degree elbows are included within the maximum vent runs. Each additional elbow reduces the maximum horizontal by 5'.

**\*RESTRICTOR REQUIREMENTS:** Small restrictor : Straight vertical vent runs between 10' - 15'.  
Large restrictor: Straight vertical vent runs between 15' - 40'.

Large restrictor required  
for 15' - 40' vent runs.

Small restrictor required  
for 10' - 15' vent runs.



## HORIZONTAL TERMINATIONS

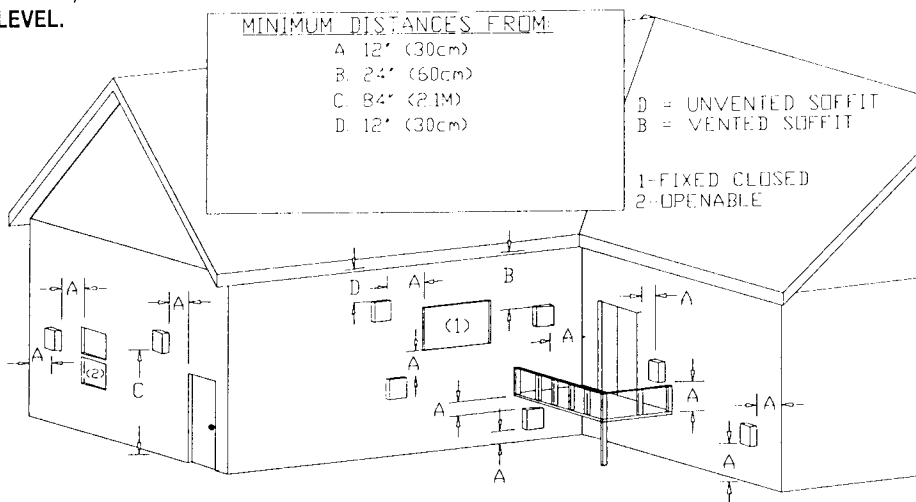
CAUTION: This gas appliance must not be connected to a chimney flue serving another type of appliance.

**IMPORTANT:** VENT TERMINATION MUST NOT BE LOCATED WHERE IT WILL BECOME PLUGGED BY SNOW OR OTHER MATERIALS.

IF TERMINATING AGAINST VINYL SIDING, A VINYL SIDING PROTECTOR, MUST BE USED. FOLLOW INSTRUCTIONS INCLUDED.

**DO NOT RECESS TERMINATION KIT INTO OUTSIDE BUILDING MATERIALS** - brick, stone, etc. If necessary, extend framing so that termination kit will be exposed once building materials are installed.

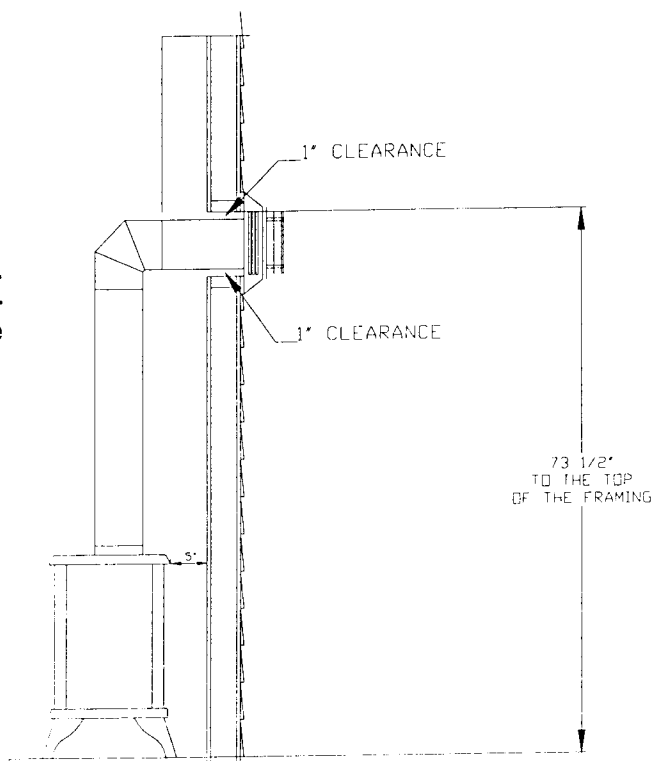
REFER TO THIS DIAGRAM  
FOR CLEARANCES TO DOORS,  
WINDOWS & GROUND LEVEL.



### EXAMPLE OF TYPICAL HORIZONTAL TERMINATION

FIGURE 3

The minimum horizontal venting configuration is 3 ft. vertical from the top of the fireplace followed by a 90-degree elbow, then 1 ft. horizontal thru exterior wall. See figure above.

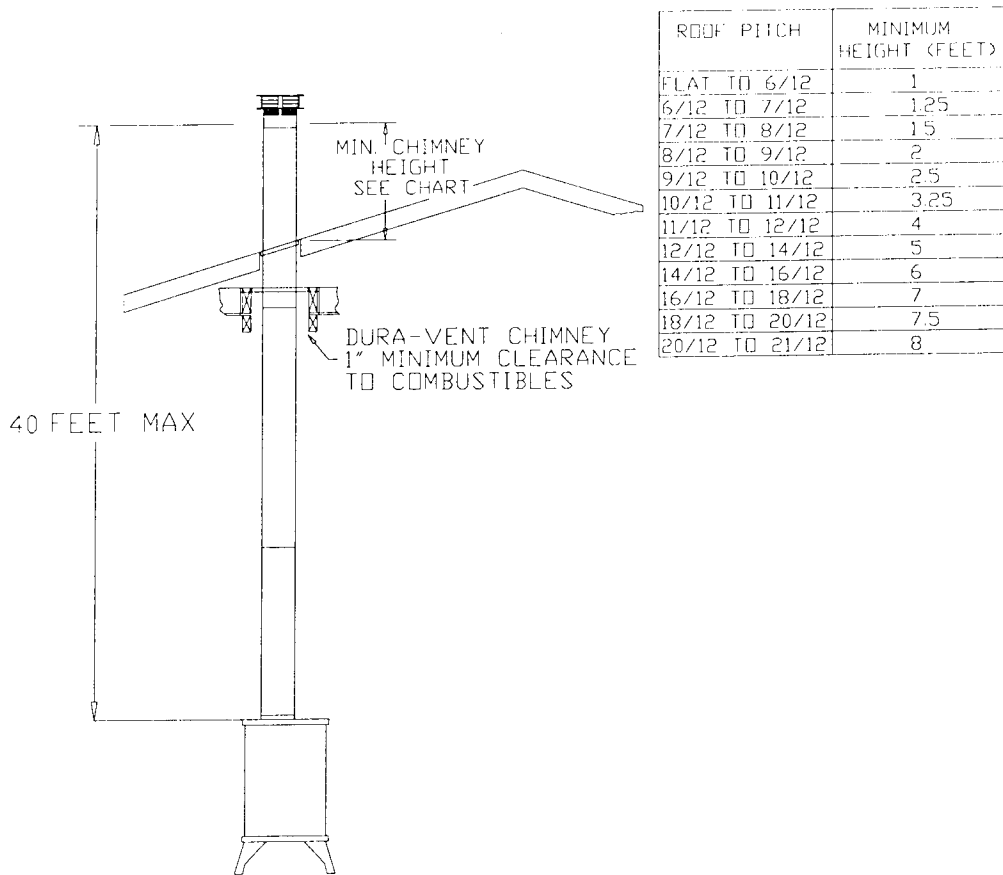


# VERTICAL TERMINATIONS

1. The appropriate restrictor plate must be placed inside the 4" flue collar on the top of the stove before connection of the chimney to stove is made. Use the small restrictor for straight vertical terminations between 10' and 15' and the large restrictor is used for straight vertical terminations between 15' and 40'.
  - a. Bend the (3) tabs on the restrictor plate required for your installation far enough so that it will securely fit inside the 4" collar on the stove. (Note: The tabs should be in the 'up' position.)

## EXAMPLE OF TYPICAL VERTICAL TERMINATION

FIGURE 4



## A) POSITION THE UNIT

1. Determine the exact position of your fireplace and location where the chimney will exit to the outside. If possible place the fireplace in such a manner that the piping will be placed between two studs so additional framing is not necessary. Refer to figure 2, page 2.

**NOTE:** A hearth or platform is not required. If a hearth is desired, combustible materials may be used.

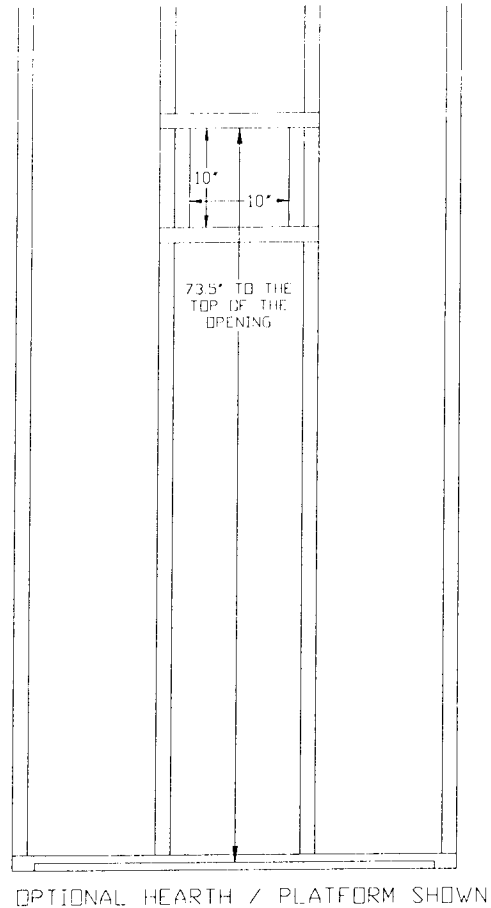
**MOBILE HOME INSTALLATIONS: THE FIREPLACE MUST BE SECURED TO THE FLOOR OR HEARTH.**

### HORIZONTAL TERMINATIONS:

Frame 10" x 10" opening for the chimney termination. The top of this opening must be a minimum of 73 1/2" above the height of the floor or platform the fireplace is setting. See figure below.

**\*IMPORTANT:** This minimum measurement is determined by the vertical height and horizontal length of your venting application desired. The measurement is to the TOP of the pipe. Refer to pages 3-5 of this installation manual for requirements and restrictions.

**NOTE:** Due to high temperatures, this unit should be located out of traffic areas and away from furniture and draperies.



**Figure 5**

2. Ensure the proper clearances are followed as outlined on page 2.
3. Complete chimney installation by following the installation instructions included with the chimney system.

**Refer also to page #4 of this manual for typical horizontal termination diagram.**



## VERTICAL TERMINATIONS

**IMPORTANT:** THIS UNIT IS APPROVED FOR USE ONLY WITH - SIMPSON DURA-VENT DV-GS DIRECT VENT CHIMNEY SYSTEM.

**IMPORTANT:** Straight vertical terminations must use the small restrictor for runs 10' - 15' and the large restrictor for runs between 15' - 40'.

**VENT PIPE CLEARANCE:** Minimum clearance from Dura-Vent DV-GS chimney: 1"

Complete installation of chimney system by following the installation instructions included with the chimney system.

Refer also to page #5 of this manual for typical vertical termination diagram..

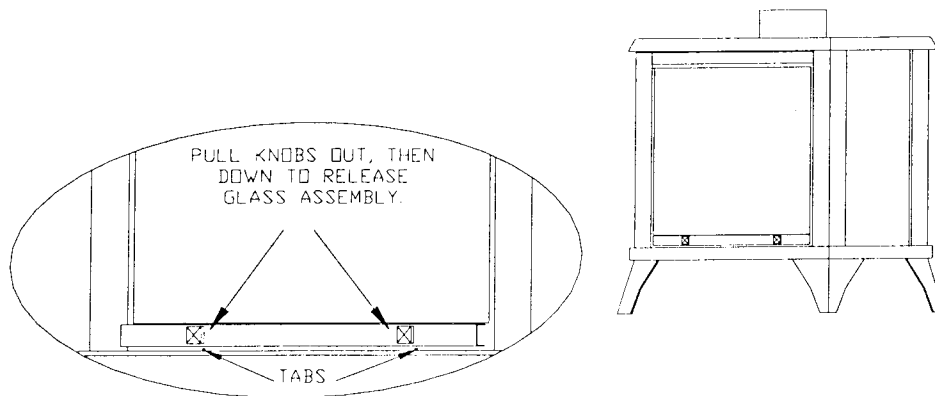
### **B) SET THE UNIT INTO POSITION:**

**MOBILE HOME INSTALLATIONS: THE UNIT MUST BE SECURED TO THE FLOOR OR HEARTH.**

#### **1. REMOVE THE GLASS ASSEMBLY. See figure 6.**

- A. Locate the metal bar (glass latching mechanism) below the glass frame.
- B. To release the glass assembly, grasp the two knobs on the front of the latch mechanism and pull out, then immediately down. This will secure the metal bar onto stops and it will stay in the 'unlatched' position.
- C. Pull the bottom of the glass assembly out and lift up off of the tabs at the top of the firebox.
- D. Set aside where it will not be broken.
- E. Remove the log package from inside the firebox.

**FIGURE 6**



### **C) INSTALL THE CHIMNEY SYSTEM. See figure 8.**

Refer to the Simpson Dura-Vent DV-GS Instruction Manual for complete installation detail of the chimney system. Installation must conform with the requirements as outlined in this manual.

**Clearance to the vent pipe: 1"**

## D) RUN THE GAS LINE.

**CAUTION:** Installation of the gas line must only be done by a qualified person in accordance with local building codes.

### **NATURAL GAS ONLY:**

The minimum inlet gas supply pressure: 5.0 inches W.C.  
The maximum inlet gas supply pressure: 10.5 inches W.C.  
Manifold Pressure: 3.5 inches W.C.  
Manifold Pressure (lo setting): 1.7 inches W.C.

Orifice size (0-2000 ft): 31      Input rating: 33,000 BTU

### **LP GAS ONLY:**

The minimum inlet gas supply pressure: 11.0 inches W.C.  
The maximum inlet gas supply pressure: 13.0 inches W.C.  
Manifold Pressure: 10.0 inches W.C.  
Manifold Pressure (lo setting): 6.4 inches W.C.

Orifice size (0-2000 ft): 50      Input rating: 31,500

This unit is equipped with a 3/8" flexible gas line connection 12" long.

**NOTE:** The gas line should be run to the point of connection where the manual shut off valve and flexible gas line will connect.

**CAUTION:** See the **WARNING** label affixed to the flexible gas line for additional installation instructions and warnings.

1. Run the gas line. An accessible shut off valve (included with the unit) must be installed up stream from the regulator.

**IMPORTANT: DO NOT RUN THE GAS LINE IN A MANNER THAT WOULD OBSTRUCT THE OPERATION OF THE OPTIONAL FAN.**

2. This unit is designed to accept either a 3/8" or 1/2" gas line approved for gas appliances. Consult local building codes to properly size the gas supply line leading to a 3/8" reduction. Also, see the chart on page #9 for proper supply line sizing.

3. Connect the manual shut off valve to the previous run gas line.

4. Connect the flexible gas line (installed on the millivolt board gas valve) to the manual shut off valve.

**IMPORTANT:  
ALL CONNECTIONS WHETHER FIELD OR  
FACTORY MADE MUST BE CHECKED FOR LEAKS.**

**NOTE:** This appliance and its individual shut off valve must be disconnected from the gas supply piping system during any pressure testing of that system at test pressures in excess of 1/2 psi.

**NOTE:** This appliance must be isolated from the gas supply piping system by closing its individual manual shut off valve during any pressure testing of the gas supply piping systems at test pressures equal to or less than 1/2 psi.

Pressure check taps for both the manifold (outgoing) and inlet (incoming) pressures are located in front of the gas valve. The bottom pressure tap is the manifold pressure and the top pressure tap is the incoming pressure. Follow instructions on page # 16 for checking these pressures.

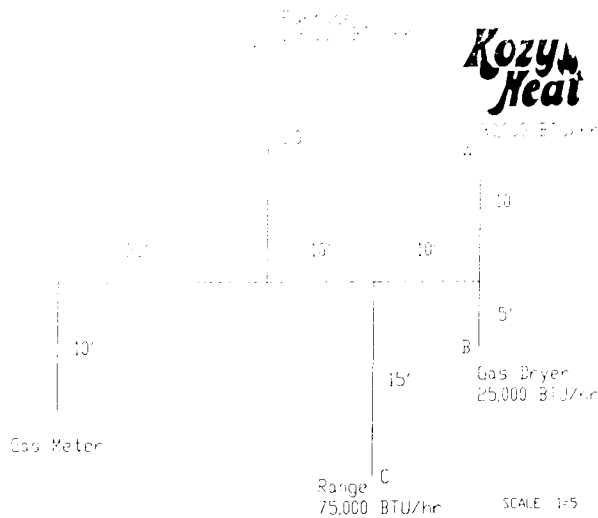
Tubing size    Maximum run

3/8"	10'
1/2"	70'
5/8"	100'
3/4"	125'

**SOLUTION TO EXAMPLE**

- (1) Maximum demand for outlet "A"    30 CFH
- Maximum demand for outlet "B"    25 CFH
- Maximum demand for outlet "C"    75 CFH
- Maximum demand for outlet "D"    136 CFH

**TOTAL DEMAND                            266 CFH**



- (2) The length of pipe from the gas meter to the most remote outlet (outlet "A") is 60'. **THIS IS THE ONLY DISTANCE USED.**
- (3) Using horizontal line marked 60', outlet "A" supplying 30 cubic feet an hour requires 1/2 inch pipe. Outlet "B" supplying 25 cubic feet an hour requires 1/2 inch pipe. Section 1 supplying outlets "A" & "B", 55 cubic feet an hour requires 1/2 inch pipe.

**E) MILLIVOLT BOARD INSTALLATION.**

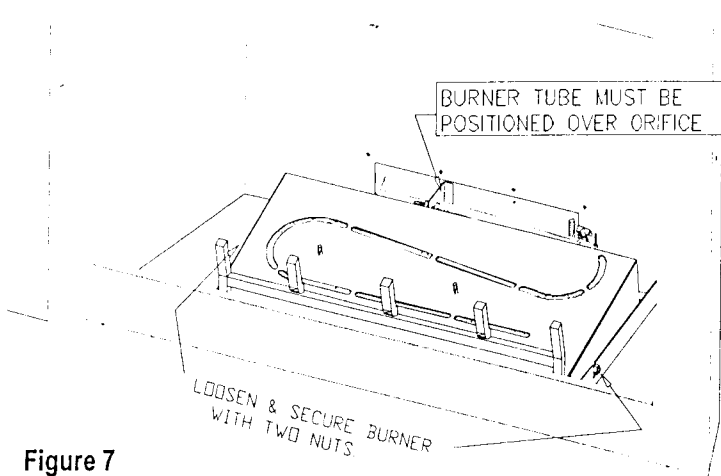
**NOTE: This unit is equipped with the millivolt board system already installed. Follow these procedures should it need replacing or is removed for servicing .**

**MILLIVOLT BOARD REMOVAL:**

1. Turn the black control knob to the 'OFF' position.
2. Shut off the gas supply at the manual shut off valve.
3. Disconnect the flexible gas line from the manual shut off valve.
4. Disconnect any remote control, wall switch or thermostat wires from the valve.
5. Remove the arched glass assembly. See page #7 for instructions.
6. Remove the log set and set aside where they will not be broken.

**CAUTION: If the burner and/or pilot has been burning, the logs will be warm and will continue to hold heat. Place them on a protected surface upon removal to avoid damage to flooring or personal property.**

7. Loosen, but do not remove the (2) nuts securing the burner place to the millivolt board and remove the burner plate.



**Figure 7**

8. Loosen and remove the (6) 1/4" nuts and while grasping the board, gently lift it off the (6) mounting studs and remove the board from the unit .

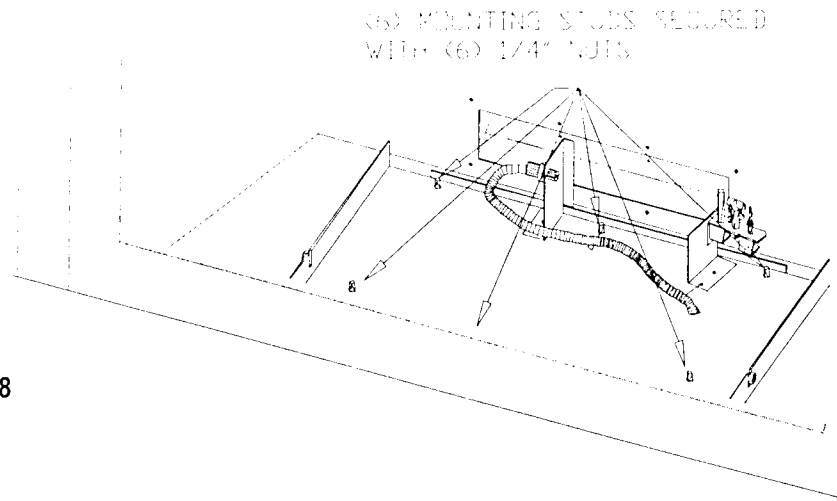


Figure 8

#### INSTALLING THE MILLIVOLT BOARD:

**NOTE:** The millivolt board is fitted with a gasket to seal the board. Make certain this gasket is properly placed around the opening before installing the millivolt board.

1. Grasp the burner with both hands and place into the unit, lining up the six 1/4" holes to the six mounting studs.

**CAUTION: BEFORE SECURING THE BOARD INTO PLACE, MAKE CERTAIN THAT ALL OF THE WIRES (ATTACHED UNDER THE BOARD) ARE CLEAR AND UNOBSTRUCTED.**

2. Attach the 1/4" nuts (included with the board assembly).
3. Place the burner plate assembly over the millivolt board, aligning the spacer/nut assembly at the sides of the burner plate to the slots on the millivolt board and the end of the burner tube into the burner orifice.
4. Check that the burner tube is properly seated over the burner orifice. (See figure 7.)
5. Secure the nuts on the burner plate to the millivolt board. (See figure 7.)
6. Connect the flexible gas line to the manual shut off valve.
7. Reconnect any remote control, wall switch or thermostat wires.
8. Replace the logs. Refer to page #11.
9. Replace the glass assembly. Refer to page #7.
10. Verify proper operation of unit and log position.

**IMPORTANT: CHECK ALL CONNECTIONS, WHETHER FIELD OR FACTORY MADE FOR LEAKS.**

F) LOG INSTALLATION. See Figures 9 and 9A.

This log set includes:      (1) AD-Log      (1) BE -Log      (2) M -Logs  
   (1) AI-Log      (1) AH-Log      (1) C-Log  
   (1) BG-Log

**NOTE: THE CORRESPONDING LETTER FOR THE LOGS ARE IMPRINTED ON THE BOTTOM OF EACH LOG.**

**BASE LOG INSTALLATION:**

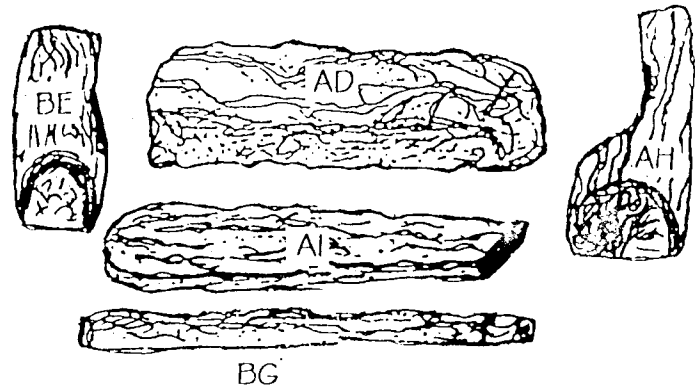
1. Position base logs onto the burner cover in the following order:

'AD', 'AI', 'BG', 'BE ' & 'AH'.

Press the logs onto the mounting pins to secure them in place.

**IMPORTANT: DO NOT ALLOW THE LOGS TO COVER THE BURNER OR BURNER PORT HOLES.**

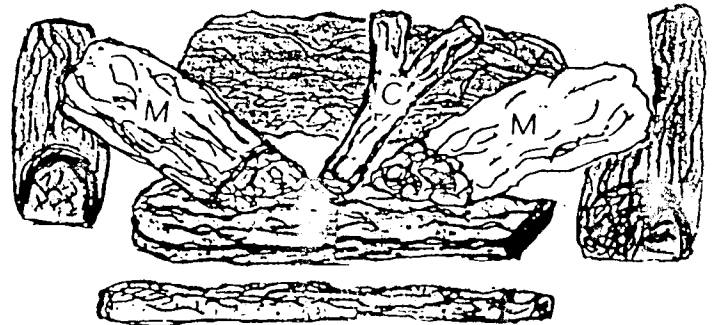
Figure 9



**TOP LOGS INSTALLATION:**

1. Position the (2) 'M' logs and the 'C' log over the base logs as shown.

Figure 9A



**INITIAL BURN PERIOD**

**NOTE: During the initial burn period, the logs and refractory will discolor. This is normal and part of the curing process. Once the curing process is complete (approximately 2-4 hrs.) the true color will return.**

**DO NOT BURN THIS FIREPLACE WITHOUT THE GLASS ENCLOSURE IN PLACE.**

**\*\*MAKE SURE THE HOMEOWNER IS AWARE OF THIS\*\***

## G) THERMOSTAT - WALL SWITCH - REMOTE CONTROL INSTALLATION (optional).

**CAUTION: DO NOT** connect high voltage (115 V) wire to the switch.

1. If desired, a thermostat, wall switch or remote control unit may be used to turn the unit off and on. Only one of these may be installed. Follow instructions included with each kit.

**NOTE: INSTALLATION OF A THERMOSTAT OR WALL SWITCH SHOULD ONLY BE DONE BY A QUALIFIED INSTALLER.**

2. Run **low-voltage** (thermostat) wire from the on/off switch, to the desired location of the thermostat or wall switch.

**IMPORTANT: No high voltage (115v) is required to operate any of these systems.**

Thermostat Wiring Diagram

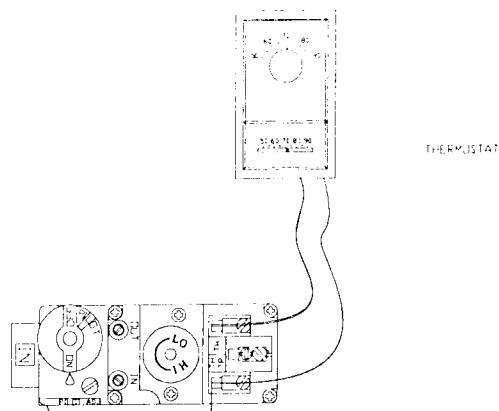


Figure 10A

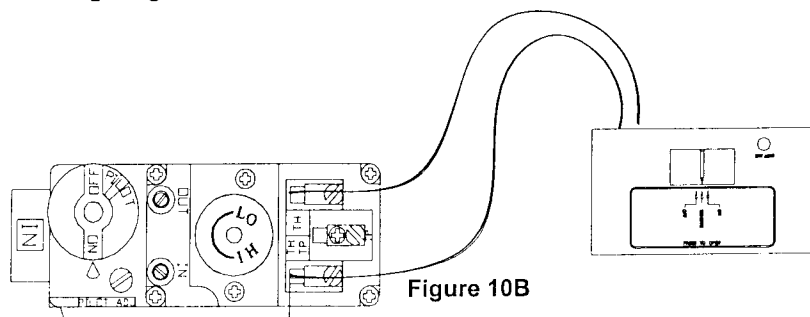
### REMOTE CONTROL INSTALLATIONS USING #791-1 RECEIVER MOUNT:

**IMPORTANT:** The wires included with the remote control must be reduced to 9" in length. Measure from the female connector 9", cut off excess and discard. Re-strip the cut end to allow proper connection to the receiver.

Complete installation of the remote control & receiver mount by following the instructions included.

**IMPORTANT:** The insulated cover included with the remote control must be placed over the remote receiver to protect it from overheating.

Remote Control Wiring Diagram



The on/off rocker switch (located on the lower right side of the fireplace) must be in the 'off' position if any of the above systems are installed on the unit.

**Note:** The fireplace must be turned 'on' and 'off' by the same method. For example: If the fireplace is turned 'on' by the remote, it must be turned 'off' by the remote.

## H) COMPLETE THE INSTALLATION

### 1. THIS STEP SHOULD ONLY BE DONE BY A QUALIFIED INSTALLER OR SERVICE TECHNICIAN:

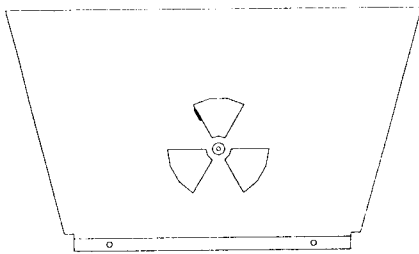
- A) Perform lighting and shutdown procedures as described on pages #14-15. This should be done prior to replacing the glass so that any necessary adjustments can be made and proper operation verified.

### 2. Vent Damper Adjustment.

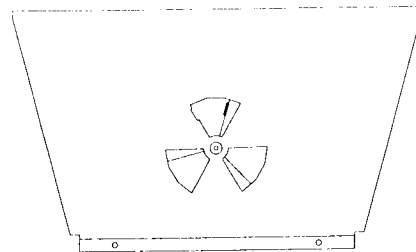
This fireplace has been manufactured with a heat vent damper located at the top inside the firebox which allows infinite control over the amount of heat emitted into the living area.

Installer: Please install the fireplace with this heat vent damper in the closed position.

To adjust, remove the glass assembly and open or close the damper as desired.



**HEAT OUTLET SHOWN  
IN CLOSED POSITION.**



**HEAT OUTLET SHOWN  
IN PARTIAL OPENED POSITION.**

### 3. Replace the glass. Refer also to Figure 6, page 7.

- A) Align the slots in the top of the glass assembly over the tabs on the fireplace.
- B) Place the glass assembly so it is flush with the front of the fireplace front.
- C) Pull the knobs on the latching mechanism first out, then up and release.
- D) The glass assembly is now secured.

**WARNING: DO NOT OPERATE THIS FIREPLACE WITH THE GLASS ASSEMBLY REMOVED, CRACKED OR BROKEN.** Replacement of the glass assembly, PART #70015T (glass with gasket) or #LKF007 (glass with gasket & arched valance), should be done by a licensed or qualified service person.

## I) LIGHTING & SHUTDOWN

**NOTE:** Prior to lighting, check all fittings for leakage. This is accomplished by applying soapy water on all connections made. If there is any leakage, bubbles will appear at the point of connection. If bubbles occur, tighten the fittings until the bubbles no longer appear.

**IMPORTANT: TEST ALL CONNECTIONS WHETHER FIELD OR FACTORY MADE.**

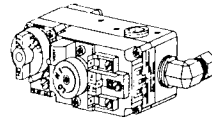
**NOTE:** The appliance and its individual shutoff valve must be disconnected from the gas supply piping system during any pressure testing of that system at test pressures in excess of ½ psi.

**NOTE:** The appliance must be isolated from the gas supply piping system by closing its individual manual shut off valve during any pressure testing of the gas line at test pressures equal to or less than 1/2 psig (3.5 kPa).

Pressure check taps for the manifold (outgoing) and inlet (incoming) pressures are located in front of the gas valve. The bottom pressure tap is the manifold pressure and the top pressure tap is the incoming pressure. Follow instructions on page 16 for checking these pressures.

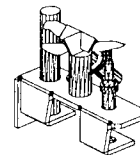
**NOTE:** Read 1-8 before lighting the unit for the first time. Refer to figure 11, page 15.

1. Locate the valve control underneath the fireplace.
2. Set the thermostat, if used, to the lowest setting
3. Turn off all electric power to the appliance.
4. Push in control knob (A) slightly and turn clockwise ↻ to "OFF"



**NOTE:** Knob cannot be turned from "PILOT" to "Off" unless knob is pushed in slightly. Do not force.

5. Wait five (5) minutes to clear out any gas. If you then smell gas, **STOP!** Follow the safety information on page #1 of this installation manual. If you don't smell gas, go to the next step.



6. Find the pilot - follow metal tube from gas control. The pilot is behind the burner tube.
7. Turn the black knob on gas control counterclockwise ↻ to "PILOT".
8. Push in the black control knob all the way and hold in. Press the **RED** igniter button (C). The pilot will generally light with two or three pushes on the igniter. Hold the knob in for about one (1) minute after the pilot is lit. Release knob and it will pop back out. Pilot should remain lit. If it goes out, repeat steps 4 through 8.
  - \* If knob does not pop out when released, stop and immediately call your service technician or gas supplier.
  - \* If the pilot will not stay lit after several tries, turn the gas control knob to "OFF" and call your service technician or gas supplier.
9. Turn gas control knob counterclockwise ↻ to "ON".
10. Depress the on/off switch (B) located on the lower right side of the fireplace to the "on" position.
11. Set thermostat, if used, to desired setting. **IMPORTANT:** The on/off switch must be in the "off" position for proper thermostat operation.



**NOTE:** When the unit is initially lit, condensation will appear on the glass, this is normal in all gas fireplaces, and will disappear in one to three minutes.

12. If you wish to turn the burner off, flip the on/off switch. If a wall switch has been installed, simply turn it off. If a thermostat has been installed, simply adjust temperature setting.

**NOTE:** The pilot will stay lit.

13. To turn off the pilot, push in and turn the knob to the "off" position. **DO NOT FORCE.**

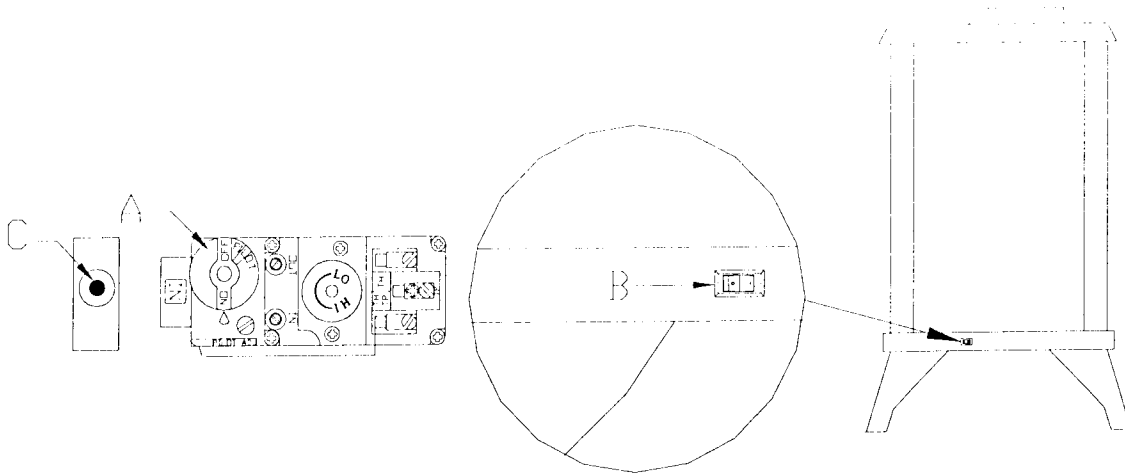


FIG. 11

#### INITIAL BURN PERIOD

AN ODOR WILL OCCUR DURING THE FIRST FEW HOURS OF BURNING. THIS IS THE PAINT CURING AND SUBSTANCES USED IN THE MANUFACTURING PROCESS. IT IS RECOMMENDED TO LEAVE THE FAN (IF INSTALLED) OFF DURING THIS PERIOD AS THIS WILL SPEED UP THE PAINT CURING PROCESS.

DUE TO THE MAKEUP OF THE LOGS & REFRACTORY, THEY WILL DISCOLOR DURING THE INITIAL BURN PERIOD. THIS MAY TAKE UP TO 4 HOURS OF BURN TIME.. ONCE THE CURING PROCESS IS COMPLETE, THE TRUE COLOR WILL RETURN. DO NOT BURN THIS FIREPLACE WITHOUT THE GLASS PROPERLY IN PLACE.

**\*\*MAKE SURE THE HOMEOWNER IS AWARE OF THIS\*\***

THIS FIREPLACE MAY PRODUCE NOISES AS IT HEATS AND COOLS DUE TO METAL EXPANSION AND CONTRACTION. THIS IS NORMAL AND DOES NOT AFFECT THE PERFORMANCE OR LONGEVITY OF THE FIREPLACE.

**NOTE:** Children and adults should be alerted to the hazards of high surface temperature and should stay away to avoid burns or clothing ignition. Young children should be carefully supervised when they are in the same room as the appliance.

Clothing or other flammable material should not be placed on or near the appliance.

## PRESSURE TESTING MANIFOLD & INLET PRESSURE

**IMPORTANT NOTICE:** A pressure check tap for both the manifold (outgoing) and inlet (incoming) pressure has been incorporated into the valve by Robertshaw. The bottom pressure tap is the manifold pressure and the top pressure tap measures the incoming pressure. Follow the instructions below for proper pressure testing procedures.

### TO CHECK THE MANIFOLD PRESSURE:

1. Light pilot .
2. Loosen the manifold pressure tap [C] by turning the screw counter-clockwise.
3. Attach manometer to pressure tap using a 5/16" I.D. hose [E].
4. Turn black control knob [A] to the 'on' position.
5. Turn the burner on by depressing the rocker switch [B] to the 'ON' and note manometer reading.
5. Depress the rocker switch [B] to the 'OFF' position.
6. Disconnect manometer hose and tighten screw (clockwise). NOTE: Screw should be snug, do not over tighten.
7. Attach manometer to manifold pressure tap to verify that it is completely sealed.  
NOTE: Manometer should read no pressure when the rocker switch is turned on.

**NOTE:** If manifold pressure reading is within the normal range, an incoming pressure check is not necessary. A too high or too low pressure reading warrants an inlet (incoming) gas pressure check.

### TO CHECK THE INLET PRESSURE:

1. Loosen Inlet pressure tap screw [D] by turning screw counter-clockwise.
2. Attach manometer using a 5/16" I.D. hose [E].
3. Light the pilot.
4. Turn the black control knob [A] to the 'on' position. (Burner should not come on) and note manometer reading.
5. Depress the rocker switch [B] to the 'ON' position and check the pressure to ensure that it stays near the maximum inlet pressure.
6. Depress the rocker switch [B] to the 'OFF' position.
7. Turn the pilot to the 'off' position.
8. Disconnect hose and tighten screw (clockwise). Screw should be snug, do not over tighten.
9. Relight pilot and turn the control knob [A] to the 'on' position. Attach manometer to the inlet pressure tap to verify that it is completely sealed. Manometer should read no pressure.

**NOTE:** If Inlet pressure reading is too high or too low, contact the gas company. Only a qualified gas service technician should adjust the incoming gas pressure.

**CAUTION: A LOW PRESSURE READING CAN CAUSE DELAYED IGNITION.**

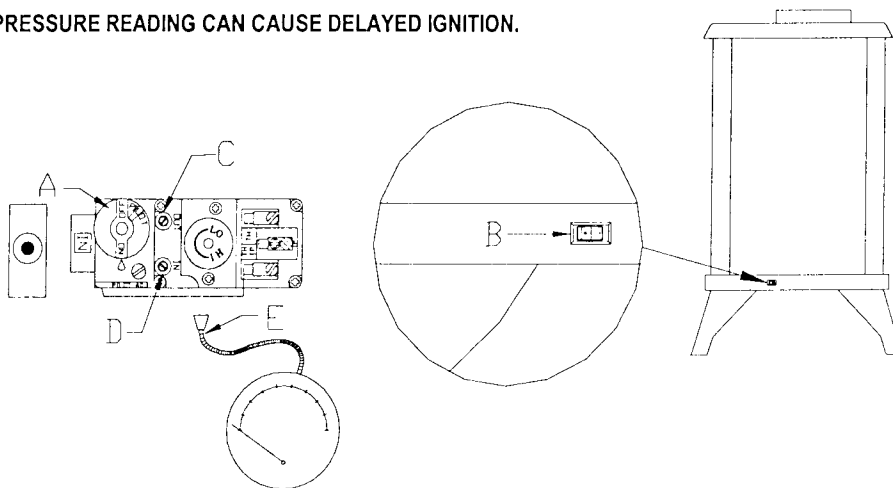


FIGURE 12

**Note:** ON/OFF switch is located on the lower right frame of the fireplace.

## J) MAINTENANCE REQUIREMENTS

1. The appliance should be inspected at least once a year by a professional service person.

**NOTE: INSTALLATION AND REPAIR SHOULD BE DONE ONLY BY A QUALIFIED SERVICE PERSON. THE APPLIANCE SHOULD BE INSPECTED BEFORE USE AND AT LEAST ANNUALLY BY A QUALIFIED SERVICE PERSON. MORE FREQUENT CLEANING MAY BE REQUIRED DUE TO EXCESSIVE LINT FROM CARPETING, BEDDING MATERIALS, ETC. IT IS IMPERATIVE THAT CONTROL COMPARTMENTS, BURNERS AND CIRCULATION AIR PASSAGEWAYS OF THE APPLIANCE BE KEPT CLEAN.**

2. The compartment below the firebox must be cleaned at least once a year, more frequent cleaning may be required due to excessive lint from carpeting, bedding materials, or other fibrous materials. It is imperative that the burner be cleaned once a year.

### FAN

The fan should be disconnected from electrical current, and cleaned (vacuumed) every six months. The bearings are sealed and require no oiling.

### VENT SYSTEM

Annual examination of the venting system by a qualified agency is required.

1. Remove the glass on the front of the unit.
2. For easier access, remove the logs.
3. Cover or remove the millivolt board.
4. Examine proper sealing of the vent system.
5. Replace the logs and glass assembly.

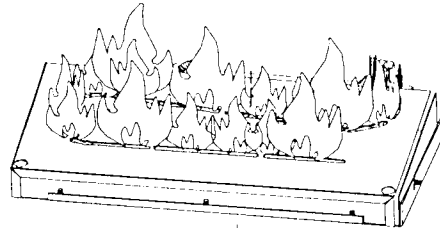
**IF THE VENT-AIR INTAKE SYSTEM IS DISASSEMBLED FOR ANY REASON, REINSTALL PER THE INSTRUCTIONS PROVIDED WITH THE INITIAL INSTALLATION.**

**IMPORTANT: ANY SAFETY SCREEN OR GUARD REMOVED FOR SERVICING MUST BE REPLACED PRIOR TO OPERATING THE APPLIANCE**

**CAUTION: LABEL ALL WIRES PRIOR TO DISCONNECTION WHEN SERVICING CONTROLS. WIRING ERRORS CAN CAUSE IMPROPER AND DANGEROUS OPERATION. VERIFY PROPER OPERATION AFTER SERVICING.**

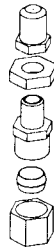
### MILLIVOLT BOARD SYSTEM

1. Annual cleaning of the burner is required. The burner tube / cover may be removed for easier access.
2. Remove the logs.
3. Remove the burner tube / cover by loosening the two nuts securing it on each side of the burner cover.
4. Visually check for blocked port holes, especially near the pilot. Blocked port holes may cause delayed ignition.

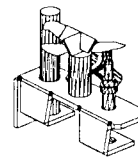


**Millivolt board**

5. Visually check the pilot light and burner when they are burning. **See Figures above and below.** The flames should be steady, not lifting or floating.



**Burner Orifice**



**Pilot**

### GLASS CLEANING & REPLACEMENT

- Clean glass only when cool and only with non-abrasive cleansers.
- **Do not** operate this fireplace with the glass/frame assembly removed, cracked or broken.
- Replacement of the glass & gasket assembly, must only be performed by a licensed or qualified service person. **DO NOT SUBSTITUTE MATERIALS.**
- **Do not** strike or slam glass assembly shut.

**CAUTION: KEEP THE APPLIANCE AREA CLEAR OF COMBUSTIBLE MATERIALS, SUCH AS GASOLINE AND OTHER FLAMMABLE VAPORS AND LIQUIDS.**

## K) TROUBLE SHOOTING GUIDE

**NOTE:** The regulator board includes the following items: Regulator, generator, pilot, piezo, electrode, rocker switch, burner, orifice and orifice holder. If any of these items are defective, contact your dealer for the appropriate repair / replacement procedures to follow.

**WARNING: DO NOT ATTEMPT TO SERVICE THIS UNIT IF YOU ARE NOT A QUALIFIED INSTALLER OR REPAIRMAN.**

1. If the unit fails to ignite a qualified service person should check the unit installation.
2. It is imperative that the control compartment, burner and circulation air passageways of the unit be kept clean. This is necessary to provide adequate combustion and ventilation air.
3. All of the working parts of this unit can be removed at one time. Before removing regulator board, check for loose wires.

<u>PROBLEM</u>	<u>CAUSE</u>	<u>SOLUTION</u>
1. No spark when piezo button is depressed	The nut which holds the piezo in place is loose	Tighten nut.
	Wire on back of piezo button is loose or off	Put wire back into place.
	Wire from piezo to electrode is loose at electrode	Reconnect wire.
	Electrode moved out of position	Realign electrode with 1/8" space between it and pilot.
2. Pilot won't light	Gas shut off	Turn Gas On
	Gas line not purged.	Must be purged by qualified service technician.
	Gas line not bled out	Hold control knob in long enough to bleed out line.
	No spark at piezo	See problem #1.

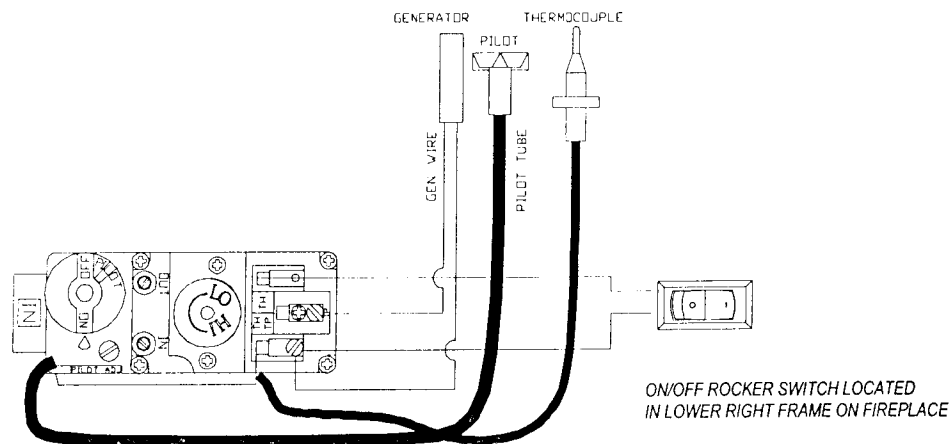


FIGURE 13

**PROBLEM**

**CAUSE**

**SOLUTION**

**3. Pilot won't stay lit**

Not holding pilot button in long enough

Hold button in longer to heat thermocouple.

Thermocouple connection loose.

Check connection on valve and tighten if necessary.

Pilot hood misdirecting pilot flame from thermocouple.

Check pilot flame location. Flame must be burning on Generator and thermocouple.

**4. Burner won't light**

Pilot not lit

Relight pilot

Regulator valve not turned "on".

Turn valve to "on"

Rocker switch not turned "on".

Press switch to the "on" position.

Rocker switch wire not connected

Check to ensure that all wires are secure.

Remote control not connected properly or turned to wrong setting. See figure 10B.

Connect properly or disconnect and use on/off switch only.

**5. Burner won't lit or stay lit**

Generator wires loose at regulator terminals

Reposition wire and tighten screws.

Generator wire grounded out due to pinching of wires

Nuts on regulator board may need loosening to remove pinched wire.

## REPLACEMENT PARTS

*Replacement parts are available through your local dealer. Contact them for availability and pricing.*

### MILLIVOLT BOARD AND PARTS

LKF-400	Millivolt board - Natural Gas	700266	Pilot Orifice - Natural Gas
LKF401	Millivolt board - LP Gas	700267	Pilot Orifice - LP Gas
700023	On/Off Rocker Switch	700039	Hi/Lo Adjustable Regulator - Natural Gas
700053	Natural Gas - Robertshaw Gas Valve	700040	Hi/Lo Adjustable Regulator - LP Gas
700054	LP Gas - Robertshaw Gas Valve		
700055	Pilot / Generator / Thermocouple Assembly - Natural Gas	700032	Piezo Ignitor with nut
700056	Pilot / Generator / Thermocouple Assembly - LP Gas	700203	Manual Shut off Valve
700060	Flexible Pilot Tubing - (Valve to pilot)	700212	Flexible Gas Line - 12"
700036	Millivolt Generator	700224	Flexible Gas Line -24" ( Valve to Burner orifice connection)
700059	Thermocouple	700231	#31 Burner Orifice - Natural Gas
		700250	#50 Burner Orifice - LP Gas
		LKF135	Burner Tube & Cover

### REMOTE CONTROLS / THERMOSTAT

796-1	Remote Control with Thermostat
797-1	Remote Control
791-1	Receiver Mount - Dashboard
700038	Wall-Mount Thermostat

### GLASS

70015T	Replacement Glass Assembly - includes 14" x 21" glass, & gasket
LKF007	Replacement Glass assembly with Arched Valance
900006	Tadpole Glass Gasket

### LOGS AND REFRACTORY

LKF500	Log set
LKF900	3 pc. Refractory Brick Panels

### RESTRICTOR PLATES

936082	Large Restrictor (15' - 40' vertical terminations)
936083	Small Restrictor (10' - 15' vertical terminations)

### GAS CONVERSION KIT

OCK-331	Natural Gas Conversion Kit
OCK-350	LP Gas Conversion Kit

### FAN & FAN PARTS

LFK028	Fan Kit
404-4	Limit Switch Assembly

### MISCELLANEOUS

300624	12 oz. Aerosol touch up paint - Satin Black
LKFPDOR	Prairie Design Series Doors
561PSI	Prairie Style Inset (Frame only)
561SSI	Prairie Style Inset with Stainless Steel Panel

**THIS APPLIANCE HAS BEEN TESTED AND CERTIFIED BY:**

**INTERTEK TESTING SERVICES**  
8431 MURPHY DRIVE  
MIDDLETON, WI 53562

**U.S. PATENT NUMBER 5,931,154**  
**U.S. PATENT NUMBER 6,004,493**

**Model #56150 - 'THE LAKEFIELD'**  
**US INSTALLATIONS ONLY**  
**September 2000**

**MANUFACTURED BY:**  
**Hussong Manufacturing Company, Inc.**  
**204 Industrial Park Drive**  
**Lakefield, MN 56150**

## KOZY HEAT LIMITED 10 YEAR WARRANTY

This Limited 10 Year Warranty will not become effective until the warranty registration form has been completed and mailed to Hussong Manufacturing Co., Inc., P.O. Box 577, Lakefield, MN 56150. This registration form must be received within 30 days of installation. Failure to do so may result in delayed warranty coverage and submission of proof of purchase will be required.

Hussong Manufacturing Co., Inc. warrants to the original purchaser of this Kozy Heat Fireplace, that it is free of defects in materials and workmanship at the time of manufacture.

Subject to the following conditions & requirements, Hussong Manufacturing Co., Inc. extends the following limited warranty under normal use and service, with respect to the Kozy Heat line of gas burning fireplaces.

YEAR 1: Subject to the following conditions & requirements listed below, within the first year from date of purchase, Hussong Manufacturing Co., Inc. shall, at its discretion, replace or repair any such defect in material or workmanship, at Hussong Manufacturing Co., Inc.'s expense, including reasonable labor costs to repair or replace the defective component, if a factory pre-authorization is given for the repair.

YEARS 2 - 10: Subject to the following conditions & requirements listed below, beginning with the first day of the second year and continuing through the tenth year, Hussong Manufacturing Co., Inc., will at its discretion, provide repair or replacement parts at current wholesale prices for any defect in material or workmanship of components, including optional components and accessories. Hussong Manufacturing Co., Inc. shall not be responsible for any installation, labor, transportation or other indirect costs.

### LIMITATION OF LIABILITY

To make a claim under this warranty, the purchaser must first contact the dealer/installer from whom the fireplace was purchased.

This limited warranty will be void if the fireplace is not installed by a qualified installer and according to the installation instructions. Use of unauthorized components will make this warranty null and void.

This limited warranty also is void if the fireplace is not operated, at all times, according to the operating instructions furnished.

This warranty is limited to defects in material and workmanship. It does not apply to any product that has been subject to negligence, misapplication, improper installation. Products made by other manufactures are NOT covered by this Limited Warranty, regardless of whether they were purchase with the fireplace or later added.

No person is authorized to extend the time of this warranty or to accept on Hussong Manufacturing Co., Inc.'s behalf any additional obligation of liability connected with the unit.

It is expressly agreed and understood that this warranty is Hussong Manufacturing Co., Inc.'s sole obligation and purchaser's exclusive remedy for defective fireplace equipment. Hussong Manufacturing Co., Inc. shall not be liable for any consequential, incidental or contingent damages whatsoever. The foregoing warranty is exclusive and in lieu of all other expressed warranties. Hussong Manufacturing Co., Inc. shall not be held to implied warranties, including but not limited to the implied warranties or merchantability and fitness for a particular purpose. This warranty replaces all previous warranty policies.

Some states do not allow the exclusion or limitation of incidental or consequential damages or limitations on how long an implied warranty lasts, so the above limitations or exclusions may not apply to you. This warranty gives you specific legal rights and you may also have other rights which vary from state to state.

Hussong Manufacturing Co., Inc. reserves the right to make changes at any time, without notice, in design, material, specifications and prices. Hussong Manufacturing Co., Inc. reserves the right to discontinue models and products.

#### WARRANTY CONDITIONS & REQUIREMENTS:

1. You are the original purchaser. This warranty is not transferable.
2. Installation of the fireplace is performed by a qualified installer.
3. Installation and operation must comply with installation and operation instructions.
4. Paint and glass gaskets are covered for 30 days from date of purchase.
5. Components (including glass panels) broken, during shipping, careless handling of components, or defects resulting from improper installation, misuse of the fireplace and components are not covered under this warranty.
6. This warranty does not cover any part of the fireplace or any components which have been exposed to or submerged under water.
7. Hussong Manufacturing Co., Inc. must be notified by the dealer the fireplace was purchased from or a qualified installer or service technician of the defect.
8. Annual service of the fireplace as required in the installation manual, is performed by a qualified installer/service technician. (Copies of such service records may be required to claim a warranty.)
9. All previous warranty/service has been performed by a qualified installer or service technician. (Copies of such service records may be required to claim a warranty.)





**LIFETIME WARRANTY**

**THIS LIFETIME WARRANTY COVERAGE WILL BE EXTENDED AS DESCRIBED BELOW PROVIDED ALL WARRANTY CONDITIONS AND REQUIREMENTS ARE MET AS OUTLINED IN THE 10 YEAR LIMITED WARRANTY POLICY.**

**LIFETIME WARRANTY COVERAGE**

LIFETIME WARRANTY IS EXTENDED AS FOLLOWS: Hussong Manufacturing warranties to the original purchaser that the firebox, heat exchanger, fiber logs, burner tube and glass of this Kozy Heat fireplace will not be defective in material or workmanship under normal use and service for as long as you own this product. If any of these components fail due to defects in material or workmanship under normal use and service, Hussong Manufacturing Co., Inc. will, at its sole discretion, repair or replace the defective component. This LIFETIME WARRANTY does not cover any installation, labor, transportation or other indirect costs arising from defective components.

**LIMITATION OF LIABILITY**

This Lifetime warranty will be void if the fireplace is not installed by a qualified installer and according to the installation instructions. Use of unauthorized components will make this warranty null and void. This lifetime warranty also is void if the fireplace is not operated, at all times, according to the operating instructions furnished. This warranty is limited to defects in material and workmanship of components specified. It does not apply to any product that has been subject to negligence, misapplication, improper installation.

No person is authorized to extend the time of this Lifetime warranty or to accept on Hussong Manufacturing Co., Inc.'s behalf any additional obligation of liability connected with the unit.

Hussong Manufacturing Co., Inc. may fully discharge all obligations with respect to this Lifetime warranty by refunding the wholesale price of the defective component(s).

It is expressly agreed and understood that this Lifetime warranty is Hussong Manufacturing Co., Inc.'s sole obligation and original purchaser's exclusive remedy for defective fireplace equipment. Hussong Manufacturing Co., Inc. shall not be liable for any consequential, incidental or contingent damages whatsoever other than those incurred by Hussong Manufacturing Co., Inc. to repair or replace the defective component. The foregoing warranty is exclusive and in lieu of all other expressed warranties. Hussong Manufacturing Co., Inc. shall not be held to implied warranties, including but not limited to the implied warranties or merchantability and fitness for a particular purpose. This lifetime warranty replaces all previous lifetime warranty policies.

Hussong Manufacturing Co., Inc. reserves the right to make changes at any time, without notice, in design, material, specifications and prices. Hussong Manufacturing Co., Inc. reserves the right to discontinue models and products.

JUNE 1998

.....  
(CUT ALONG DOTTED LINE)

**TO ACTIVATE THIS LIFETIME WARRANTY COVERAGE, THIS REGISTRATION CARD MUST BE COMPLETED AND MAILED WITH YOUR COMPLETED 10 YEAR LIMITED WARRANTY FORM WITHIN 30 DAYS OF INSTALLATION.**

**PURCHASER'S NAME:** \_\_\_\_\_

**ADDRESS:** \_\_\_\_\_  
 \_\_\_\_\_

**INSTALLER NAME:** \_\_\_\_\_

**ADDRESS:** \_\_\_\_\_

**INSTALLATION DATE:** \_\_\_\_\_

**MODEL#:** \_\_\_\_\_ **SERIAL #:** \_\_\_\_\_

**TELEPHONE #** \_\_\_\_\_

**TELEPHONE #** \_\_\_\_\_