



#55362 - MONTICELLO

ELECTRIC FIREPLACE INSERT

INSTALLATION & OPERATING MANUAL

IMPORTANT:
READ ALL INSTRUCTIONS CAREFULLY BEFORE INSTALLATION.
FAILURE TO INSTALL THIS FIREPLACE INSERT CORRECTLY CAN
CAUSE FIRE HAZARDS AND MAY VOID YOUR WARRANTY.

This electric fireplace meets the construction and safety standards of H.U.D. for application in manufactured homes when installed according to these instructions.



* Save this manual for future reference.

TABLE OF CONTENTS

Important Safety Information	Page 2.
Listing Approvals	Page 3.
Product Dimension Specifications	Page 3.
Locating Fireplace	Page 3.
Unpacking and Testing the Fireplace	Page 4.
Installation	Pages 4.-5.
Finishing Checklist	Page 5.
Operating Instructions	Page 5.
Cleaning and Maintenance	Pages 6.-8.
Troubleshooting	Page 8.
Warranty Policy	Page 9.

Read these instructions completely before beginning installation. Failure to follow them could cause a heater malfunction resulting in serious injury and/or property damage.

IMPORTANT SAFETY INSTRUCTIONS

- **WARNING:** All electrical heaters have hot and arcing or sparking parts inside. Do not use it in areas where gasoline, paint or flammable liquids are present.
- **WARNING:** This electric fireplace is tested and listed for use only with the optional accessories listed in these instructions. Use of optional accessories not specifically tested for this electric fireplace could void the heater warranty.
- **WARNING:** Improper installation, adjustment, alteration, service or maintenance can cause injury or property damage. Refer to this manual. For assistance or additional information, consult a qualified installer.
- **CAUTION:** Do not expose the electric fireplace to the elements (such as rain, etc)
- **CAUTION:** The fireplace insert unit is mounted on rubber feet. The purpose is to ensure adequate air circulation beneath the unit. **DO NOT** remove these feet. Do not install directly on carpet, rug, furniture or similar surfaces which could hinder or block the airflow.

Due to high temperatures, the fireplace should be located out of traffic and away from furniture and draperies.

Do not place clothing or other flammable materials on or near the fireplace. Never place any objects on the fireplace.

Carefully supervise young children when they are in the same room as the fireplace.

Fireplace becomes very hot when running. Keep children and adults away from hot surfaces to avoid burns or clothing ignition. Fireplace will remain hot for some time after shutdown. Allow surfaces to cool before touching.

When using this electric fireplace, basic precautions should always be followed to reduce the risk of fire, electric shock and injury to persons, including the following:

1. Read all instructions before using this electric fireplace.
2. Keep combustible materials, such as furniture, pillows, bedding, papers, clothes and curtains at least 3 feet (0.9m) from heater and keep them away from sides and rear.
3. Always unplug electric fireplace when not in use.
4. Do not operate this electric fireplace with a damaged cord or plug or after heater malfunctions, has been dropped or damaged in any way. Return heater to authorized service facility for examination, electrical or mechanical adjustment or repair.
5. Do not use this electric fireplace outdoors.
6. This electric fireplace is not intended for use in bathrooms, laundry areas and similar indoor locations. Never locate electric fireplace where it may fall into a bathtub or other water container.
7. Do not run cord under carpeting. Do not cover cord with throw rugs, runners or the like. Arrange cord away from traffic area and where it will not be tripped over.
8. To disconnect electric fireplace, turn controls to "OFF" before removing plug from outlet.
9. Do not insert or allow foreign objects to enter any ventilation or exhaust opening as this may cause an electrical shock or fire or damage the heater.
10. To prevent possible fire, do not block air intakes in any manner.
11. The electric fireplace has hot and arcing or sparking parts inside. So not use it in areas where gasoline, paint or flammable liquids are used or stored.
12. Use this electric fireplace only as described in this manual. Any other use not recommended by the manufacturer may cause fire, electric shock or injury to persons.
13. Avoid the use of an extension cord because the extension cord may overheat and cause a risk of fire. However, if you have to use an extension cord, the cord should be No. 14AWG minimum size and rated not less than 1875 WATTS.
14. Always use properly grounded, fused and polarized outlets.
15. Always use ground fault protection where required by electrical codes.
16. Always disconnect power before performing any cleaning, maintenance or relocation of heater.
17. To prevent a possible fire, do not burn wood or other materials in this electric fireplace.
18. To prevent electric shock or fire, always hire a certified electrician should new circuits or outlets be required.
19. When transporting or storing this electric fireplace, keep in a dry place free from excessive vibration and store as to avoid damage.

SAVE THESE INSTRUCTIONS!

LISTING APPROVALS

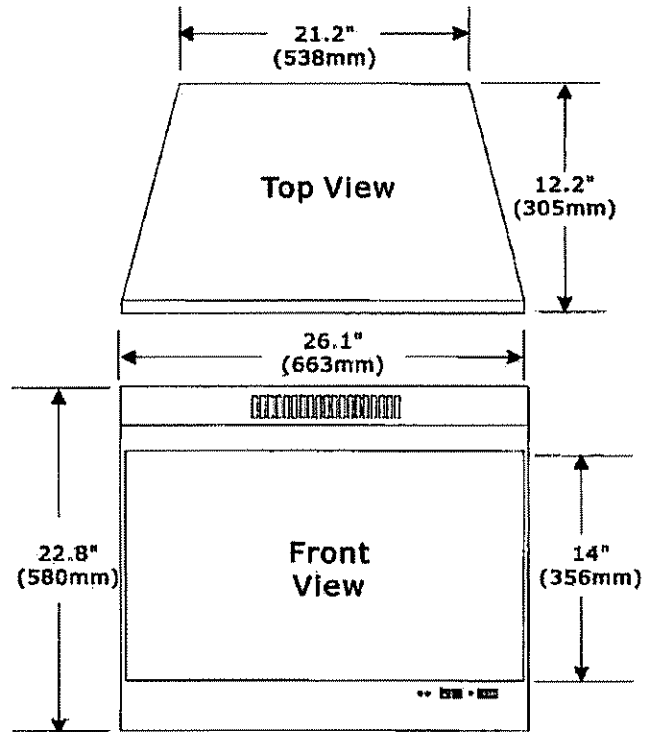
This heater has been tested in accordance with the CSA Standards for fixed and location-dedicated electric room heaters in the United States and Canada. If you need assistance during installation, please contact your local dealer.

Note: This heater must be electrically wired and grounded in accordance with local codes or, in the absence of local codes, with National Electric Code ANSI/NFPA 70-latest edition or the Canadian Electric Code, CSA C2.1 as appropriate.

PRODUCT DIMENSION SPECIFICATIONS

Model Number:	#55362 - Monticello
Description:	26" Fireplace/Insert
Voltage:	120V
Watts:	1500W
Amps:	15Amp Grounded Circuit
Length:	26.1" (663mm)
Height:	22.8" (580mm)
Depth:	12" (305mm)
Net Weight:	50.6lbs (23kgs)
Gross Weight:	55lbs (25kgs)

Figure 1
Fireplace Dimensions



LOCATING FIREPLACE

WARNING: Due to high temperatures, this electric fireplace should be located out of traffic. Keep combustible materials such as furniture, pillows, bedding, papers, clothes and curtains at least 3 feet (0.9m) from the front of the heater.

WARNING: Never locate this electric fireplace where it may fall onto a bathtub or other water container.

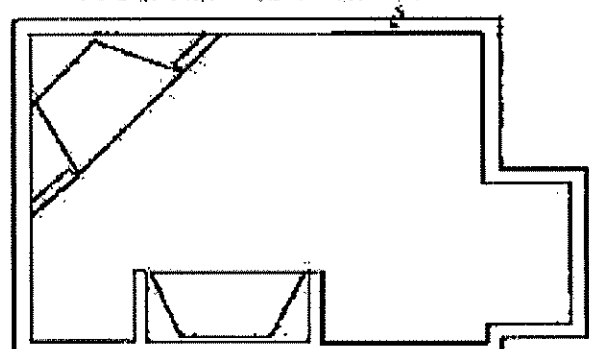
CAUTION: Do not expose the electric fireplace to the elements (such as rain, etc.)

CAUTION: Wear gloves and safety glasses for protection during installation and maintenance.

WARNING: To prevent contact with sagging or loose insulation, the electric fireplace must not be installed against vapor barrier or exposed insulation. Localized overheating could occur and a fire could result.

Figure 2 illustrates a variety of ways the fireplace may be located in a room. The heater may be installed directly on the floor (uncarpeted), or raised on a hearth.

Figure 2
Heater Locations



UNPACKING AND TESTING THE FIREPLACE

Carefully remove the unit from the box. Prior to installing the unit, test to make sure the unit operates properly. To do this, plug the unit's power supply cord into a conveniently located 120 volt grounded outlet.

CAUTION: The unit's supply cord must be connected to a properly grounded and protected 120 volt outlet. Always use ground fault protection where required by the electrical code.

WARNING: Do not operate the unit if it damaged or has malfunctioned. If you suspect the unit is damaged, return the unit to an authorized service facility for examination, electrical or mechanical adjustment or repair.

INSTALLATION

WARNING: RISK OF FIRE! The power cord must not be pinched or against a sharp edge. Secure cord to avoid tripping or snagging to reduce the risk of fire, electric shock or personal injury. Do not run cord under carpeting. Do not cover cord with throw rugs, runners or the like. Arrange cord away from traffic areas and where it will not be tripped over.

WARNING: RISK OF FIRE! To prevent a possible fire, do not block air intake or exhaust in any manner. Do not use on soft surfaces where openings may become blocked.

WARNING: RISK OF FIRE! Do not blow or place insulation against the fireplace.

WARNING: This electric fireplace is tested and listed for use only with the approved optional accessories. Use of optional accessories not specifically tested for this electric fireplace could void your warranty and/or result in a safety hazard.

WARNING: If the information in these instructions is not followed exactly, a fire or explosion may result causing property damage, personal injury or death. Do not store or use gasoline or other flammable vapors in the vicinity of this or any other heater.

BEFORE INSTALLATION

Select a suitable location that is not susceptible to moisture and is away from drapes, furniture and high traffic areas. Note: follow all national and local electrical codes. This fireplace can be installed into either an existing fireplace opening or as new construction / renovation.

NOTICE: Never pick unit up by louvers. Louvers will bend.

EXISTING FIREPLACE INSTALLATION

Thoroughly clean out the existing fireplace and hearth area.

Plan the power supply. If an existing grounded outlet is near the fireplace, the power cord can run along the front of the fireplace. If the cord is not long enough to reach the outlet, a grounded extension cord minimum AWG No. 14 and rated to a minimum of 1875 watts may be used. If you plan to cut or drill a hole in the existing fireplace for wiring, it is best to hire a professional to do this step in order to prevent personal injury. To reduce the risk of fire, do not run the power cord under rugs, carpets, etc. Arrange the power supply cord away from high traffic areas where it may pose a tripping hazard.

NEW CONSTRUCTION AND RENOVATION

1. Select a location that is not prone to moisture and is located at least 0.9 m or 3 feet away from combustible materials such as curtains or drapes, furniture, bedding, paper, etc.
2. Place the unit in selected location to see how it will look in the future.
3. Mark the desired location on the floor and store unit in a safe, dry and dust free location.
4. Frame an opening leaving at least ¼" (6mm) around the edge of the unit. Any new wiring must be done in compliance with local and national codes and other applicable regulations in order to reduce the risk of fire, electric shock or other injuries. Therefore, it is strongly recommended that you hire a professional to complete any such work.

INSTALLING THE FIREPLACE INSERT

1. Once the site has been prepared, the fireplace insert can be installed.
2. Make sure switch is in the "OFF" position.
3. Plug fireplace into a 15-amp/120 volt, grounded outlet.
4. Push fireplace insert so that the trim is against the finished mantel or wall surface.

WARNING: Grills on this electric fireplace cannot, in any way, be covered as it may create a fire hazard. Power supply service must be completed prior to finishing to avoid reconstruction.

FINISHING CHECKLIST

Grills and air passages cannot be covered in any circumstances.
The controls (see Figure 3) are located on the bottom right hand corner of the unit.

OPERATING INSTRUCTIONS

1. Plug in your electric fireplace.
2. **Main ON/OFF Power Switch and LED:** This switch is located on the right side of the control panel. The power LED will light up when the unit is on, the default settings for the fireplace is HI ember bed and flame and the heater is OFF.
3. **Temperature Control Button and LED:** This button is located to the left of the Remote Control Receiver (see Figure 3). The LED is located to the left of the Flame Button. Push button to cycle through settings. When this button is pushed the LED will change to its corresponding color; Green for LO, Orange for MED, and Red for HI. When heater is on heat will emit through vents located in the middle of the top louver panel (see Figure 1, page 3). The heater has a built-in thermostat so it will shut off automatically once the set temperature is reached. It will also turn on automatically if the room temperature drops below the set temperature. Note: When the heater is turned on for the first time, it may release a slight, harmless odor. This odor is a normal occurrence caused by the initial heating of the internal heating elements and should not occur again.
4. **Flame Control Button:** This button is located to the left of the Temperature Button (see Figure 3). After power is on, push the Flame Control Button to adjust flame and ember bed brightness. Press and release the Flame Control Button to cycle through LO, MED, HI and OFF.

OPERATING BY REMOTE CONTROL

1. Plug in your electric fireplace.
2. Push the ON/OFF Power Button to turn the unit on. Power LED will light.
3. When operating the remote control, it must be pointed at the sensor on the bottom PANEL.
4. The ON/OFF button at the top left of the remote is the main ON/OFF power button. Pressing this button activates the power to the unit.
5. To adjust the ember bed lighting and flame brightness, press the "+" or "-" EMBER buttons. There are six levels of brightness.
6. The HEATER button activates the heater. The heater is pre-set to the following temperatures. HI will shut off when room temperature reaches approximately 86-F (30 C). The LED light will be red. MED will shut off when room temperature reaches approximately 75-F (24 C). The LED light will be orange. LO will shut off when room temperature reaches approximately 64-F (18 C). The LED light will be green.
7. To adjust the height of the flame, press "+" or "-" FLAME buttons. There are six levels of flame effect.
8. To turn off the fireplace, press the ON/OFF button once. When you restart the fireplace with the remote control, all of the features you had set will remain in effect. **NOTICE:** This remote control must remain within 8 meters or 26 feet of the fireplace to be effective.

NOTE: Make sure your batteries are fully charged and installed correctly in your remote control.

Figure 3
Controls For
Electric Fireplace

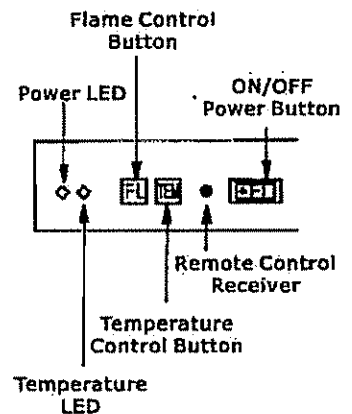
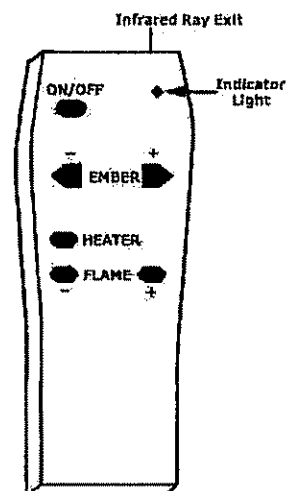


Figure 4
Remote Control For
Electric Fireplace



CLEANING AND MAINTENANCE

WARNING: Always disconnect power and allow the electric fireplace to cool before performing any cleaning, maintenance or relocation. Turn controls to OFF and remove plug from outlet or turn off circuit breaker to electric fireplace.

GLASS

1. The glass is cleaned at the factory during assembly. During shipment, installation, handling, etc. the glass surface may collect dust particles. These can be removed by buffing lightly with a clean, dry cloth.
2. To remove fingerprints or other marks, the glass can be cleaned with a damp cloth using a good quality household glass cleaner. The glass should be completely dried with a lint free cloth or paper towel.
3. In the event of glass breakage, vacuum all remaining glass pieces with a shop vac. **DO NOT VACUUM WHILE PIECES ARE HOT.** Replace glass only with replacement part specifically for this heater. Never substitute material. Only fully tempered safety glass may be used on this heater.

BULB REPLACEMENT

CAUTION: NEVER TOUCH HALOGEN BULBS WITH BARE HANDS AS IT WILL GREATLY SHORTEN BULB LIFE. ALWAYS USE A CLEAN OIL FREE CLOTH TO INSTALL BULBS.

WARNING: The halogen light bulbs in your unit can become extremely hot. Allow at least 10 minutes between turning off the heater and removing the light bulbs to avoid accidental burns.

There are a total of 8 halogen bulbs (type GX 35 rated 120 volts, 35 watts in your unit):

- 2 bulbs provide illumination for the ember bed beneath the log set (maximum 35 watts).
- 2 bulbs provide illumination for the flame generation assembly (maximum 35 watts).
- 2 bulbs provide illumination for the top contrasting lights (maximum 35 watts).
- 2 bulbs for replacement (maximum 35watts).

Most halogen light bulbs are rated to last approximately 2000 hours. Like all light bulbs, halogen bulbs require periodic replacement. When the bulbs in your unit have burned out you will notice one or more of the following:

1. Contrasting lights are dim.
2. The flame is dim or dark in certain areas
3. The log set ember bed appears dim or dark in certain areas.

Your fireplace unit must be opened in order to replace the light bulbs. To reduce the number of times you need to open the unit, replace all the light bulbs at the same time if they are close to the end of their rated life.

WARNING: Do not install replacement bulbs that exceed specified maximum watts

Tools required: Phillips Screw Driver (Number 1)

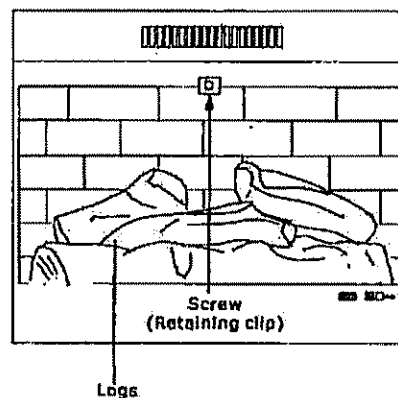
REMOVING THE GLASS PANEL

1. Unscrew and remove the retaining screw.
2. Tilt glass panel forward from the top and remove.
3. Store the glass panel in a safe place face down on a protected surface.
4. Complete light bulb replacement as described below.
5. Replace the glass panel and hold in place.
6. Reattach the retaining clip to hold the glass in place.

REPLACING THE TOP CONTRASTING LIGHT BULB

1. Hold socket and pull out the old bulb.
2. Hold socket and push in the new bulb.
3. Repeat steps 1 and 2 for the second bulb (35 watts max.)

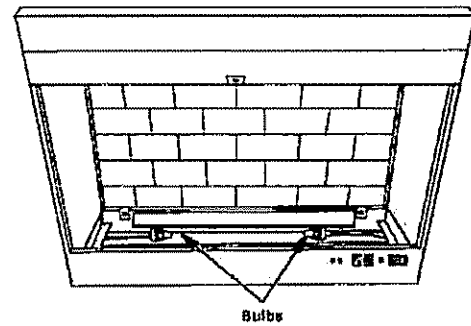
Figure 5
Replace Ember Bed Bulbs



REPLACING THE LOG SET EMBER BED LIGHT BULBS

1. From the bottom, gently pull forward and lift up the log set ember bed until the front edge of the log set ember bed clears the front edge of the unit (do not pull up on the logs).
2. Hold socket and pull out the old bulb.
3. Hold socket and push in the new bulb.
4. Repeat steps 2 and 3 for the second bulb.
5. Replace the log set ember bed by gently pushing down until the rear edge of the log set ember bed is resting against the rear ledge of the unit (35 watts max).

Figure 6
Ember Bed Bulb Location



REPLACING THE FLAME GENERATION BULBS

1. From the bottom, gently pull forward and lift up the log set ember bed until the front edge of the log set ember bed clears the front edge of the unit (do not pull up on the logs).
2. Remove screws from left and right retaining clips that hold glass in place. (Figure 7).
3. With gloves and safety glasses in place, use both hands to hold the bottom of the glass. Use fingers to gently push the glass towards you until the glass falls into your hands. Gently hold the glass, using both hands, and place on a smooth, soft surface to avoid breakage.
4. Locate the flame generation cylindrical drum. (Figure 8).
5. Squeeze one half of the drum cylinder until its top edge clears the top drum track. Remove the bottom edge of the cylinder drum from the bottom drum track. Once you have removed one half of the drum cylinder, you will have access to the light bulbs. Note: Do not exert excessive pressure on the drum cylinder as this may cause damage.
6. Hold socket and pull out the old bulb.
7. Hold socket and push in the new bulb (35 watts).
8. Repeat steps 4 and 5 for the second bulb.
9. To reconnect the removed cylinder drum half, insert the bottom edge of removed cylinder half into the bottom drum track. Squeeze the drum cylinder until its top edge fits into the top drum track.
10. Replace the back glass panel, securing with the previously removed clips and screws.
11. Replace the log set ember bed by gently pushing down until the rear edge of the log set ember bed is resting against the rear ledge of the unit.
12. Replace front glass panel, securing with the previously removed screw and clip.

Figure 7
Drum Bulb Replacement 1
Glass On

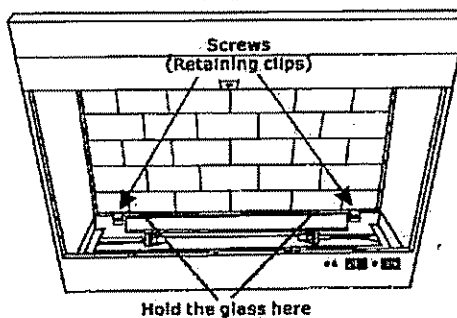


Figure 8
Drum Bulb Replacement 2
Glass Off

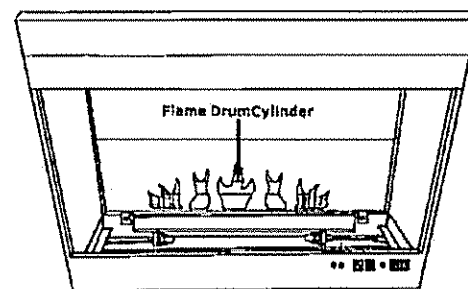


Figure 9
Flame Generation
Cylinder Drum

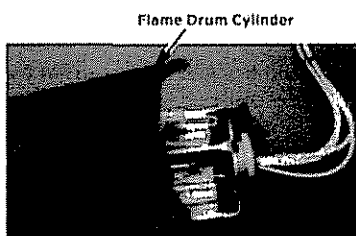
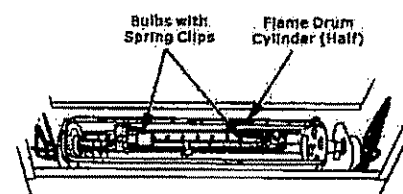


Figure 10
Drum Bulb Replacement 3



CHANGING FIREPLACE FUSE

WARNING: Turn electric fireplace to OFF and unplug from outlet before performing any maintenance

1. Remove the front glass panel, ember bed log set and back glass panel. If necessary refer to the instructions to these steps on pages 6 - 7 in this installation manual
2. Locate the circuit board on the back wall of the fireplace. On the bottom of this board there is a blue rubber sleeve that houses the fuse.
3. Remove this sleeve and the fuse.
4. Place new fuse in the blue sleeve and reinstall onto the fuse clips on the circuit board. (You will feel the fuse snap into position on both sides). Make sure that the blue sleeve is surrounding the fuse clips on all four sides.
5. Reinstall the back glass panel, ember bed log set and front glass panel.

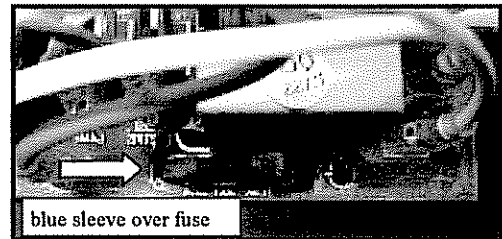


Figure 11

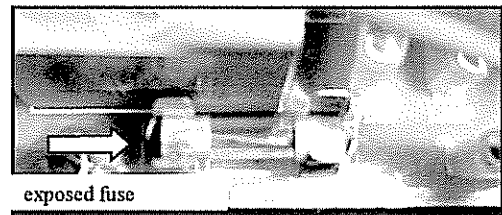


Figure 12

TROUBLESHOOTING

WARNING: Turn off the fireplace completely and let cool before servicing. Only a qualified service person should service and repair this electric fireplace.

OBSERVED PROBLEM	POSSIBLE CAUSE	REMEDY
Fireplace turns off and will not turn on.	1. Fireplace has overheated and safety device has caused thermal switch to disconnect or home circuit breaker has opened.	1. Reset switch by turning main power switch off and waiting 5 minutes then turning it back on.
Flame is not moving.	1. Loose wiring. 2. Flame motor defective	1. Inspect wiring for loose connections. 2. Call a qualified service technician to replace flame motor.
Dim or poorly visible flame.	1. Bulb(s) are burnt out. 2. Wiring is loose.	1. Inspect bulbs and replace if necessary. 2. Inspect wiring for loose connections and repair or replace if necessary.
Log set and/or ember is not glowing	1. Bul (s) are burnt out.	1. Inspect bulbs and replace if necessary.
Flame sputters.	1. Flame motor is defective.	1. Call a qualified service technician to replace flame motor.
Remote control does not work	1. Low batteries.	1. Replace AA batteries in remote control.
Fireplace will not come on when switch is flipped to "ON".	1. Fireplace is not plugged into an electrical outlet. 2. Fireplace fuse has blown.	1. Check plug 2. Replace fireplace fuse with a 120volt-F3 15A fuse. Refer to instruction at top of this page.



LIMITED WARRANTY
MODELS #55362 'Monticello' & #55901 'Rochester'

This limited 1-year warranty will not become effective until this completed warranty card has been mailed to Hussong Manufacturing Company, Inc. within 30 days of purchase.

Hussong Manufacturing Company, Inc. warrants to the original purchaser of this electric fireplace, that it is free of defects in materials and workmanship at the time of manufacture and extends the following limited warranty:

Within the first year from the date of purchase, Hussong Manufacturing Company, Inc. shall, at its option, replace or repair any such defect in material or workmanship*, at Hussong Manufacturing Company, Inc.'s expense, including reasonable labor costs for repair work, if a factory pre-authorization is given for the repair

*Does not include paint. Defects in paint is warranted for 30 days from date of purchase, including reasonable labor costs, if a factory pre-authorization is given for the repair.

*Light bulbs are not covered under this warranty.

LIMITATION OF WARRANTY

To make a claim under this warranty the purchaser must first contact the dealer from whom this electric fireplace was purchased. If the dealer is unable to give service, the purchaser should contact Hussong Manufacturing Company, Inc..

This warranty is limited to defects in material and workmanship. It does not apply to any product that has been subject to negligence, misapplication, improper installation, modification or other circumstances beyond the control of Hussong Manufacturing Company, Inc.

The limited warranty will be void if the appliance is not installed by a qualified installer and according to the installation instructions.

The limited warranty also is void if this electric fireplace is not operated, at all times, according to the operating instructions furnished.

No person is authorized to extend the time of this warranty or to accept on Hussong Manufacturing Company, Inc.'s behalf any additional obligation of liability connected with this electric fireplace.

It is expressly agreed and understood that this warranty is Hussong Manufacturing Company, Inc.'s sole obligations and purchaser's exclusive remedy for defective fireplace equipment. Hussong Manufacturing Company, Inc. shall not be liable for any consequential, incidental or contingent damages whatsoever. The foregoing warranty is exclusive and in lieu of all other express warranties. Hussong Manufacturing Company, Inc. shall not be held to implied warranties, including, but not limited to the implied warranties of merchantability and fitness for a particular purpose. This warranty replaces all previous warranty policies.

Some states do not allow the exclusion or limitation of incidental or consequential damages or limitations on how long an implied warranty lasts, so the above limitations or exclusions may not apply to you. This warranty gives you specific legal rights and you may also have other rights which vary from state to state.

Hussong Manufacturing Co., Inc.

P.O. Box 577

Lakefield, MN 56150 (507) 662-6641

March 2004

Send completed warranty registration to: Hussong Manufacturing Co., Inc.
P.O. Box 577
Lakefield, Minnesota 56150

✂ Cut here

WARRANTY REGISTRATION	
Purchaser's Name _____	Purchase Date _____
Address _____	
Telephone No. _____	
Model No. _____	Serial No. _____
Dealer's Name _____	
Dealer's Address _____	