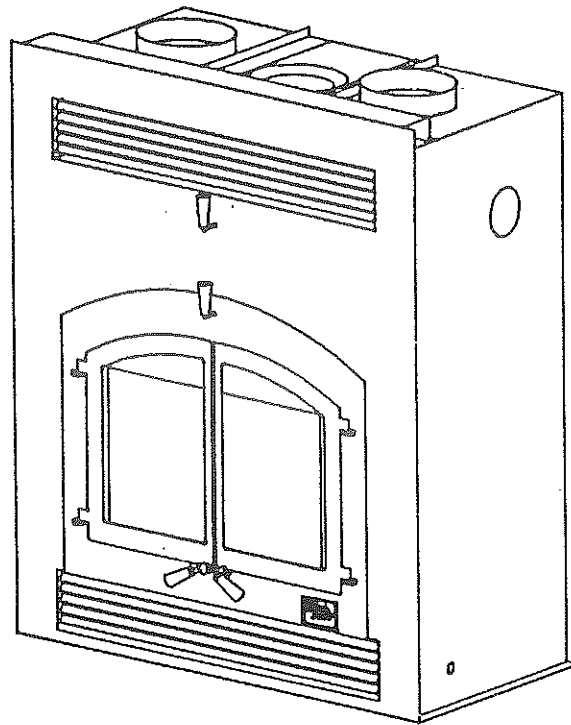


INSTALLATION MANUAL

Kozy Heat

MODEL 231 ZERO CLEARANCE



IMPORTANT:

READ INSTRUCTIONS CAREFULLY BEFORE INSTALLATION. FAILURE TO INSTALL THIS FIREPLACE CORRECTLY CAN CAUSE SERIOUS STRUCTURAL AND FIRE HAZARDS AND MAY VOID YOUR WARRANTY.

231ZC AVAILABLE OPTIONS

- | | |
|------------------------------|-----------------------------|
| 1. 220 CFM Fan Kit | 5. Outside Air Vent Cover |
| 2. Brass Grills & Face Trim | 6. Heat Duct Kit |
| 3. Arched Face Brick Lintel | 7. Additional B Vent Pipe" |
| 4. Staight Face Brick Lintel | 8. Additional B Vent Elbows |

NOTE: Unit is available with either black or gold plated doors.

INDEX

Installation Cautions.....	1
Minimum Clearances.....	2
Foundation Requirements.....	2
Hearth Dimensions (minimum size).....	3
Electrical Requirements.....	4,11
Chimney Connection.....	4-5
Chimney Cautions.....	5
Outside Combustion Air.....	6
Optional Heat Ducting.....	6-7
Framing Dimensions.....	8
Mantel Clearance.....	8
Facing Installation.....	8-9
Damper Rod Adjustment.....	10
Firebrick Installation.....	10
Fan Installation.....	11

READ ALL INSTRUCTIONS BEFORE INSTALLING

INSTALLATION CAUTIONS:

Heat Transfer:

A) The heat register outlet covers must not terminate below the hot air ductwork outlets to prevent a heat sink. See Figure 6.

Chimney:

- A) Use only a chimney that has been approved for use with this unit.
- B) Do not vent any other appliance through this chimney system.
- C) Follow manufacturer's instructions for proper installation of the chimney.
- D) Ensure that the chimney brand you purchase is equipped with the corresponding anchor plate for attachment to the fireplace.
- E) The chimney should be at least 10' tall (above the fireplace) and at least 3' higher than the peak of the house, or smoke back may occur when the doors are opened.

Cold Air Transfer Areas

- A) If this fireplace is installed on an exterior wall it must be insulated just like any other wall in your home, if it is not, you will have a cold air transfer.
- B) Secure combustion air pipes together with screws to prevent them from coming apart and leaking cold air.

Foundation:

- A) Although no foundation is required for the unit and its metal chimney, the foundation must be sufficient to carry the weight of the face brick and/or rock front.

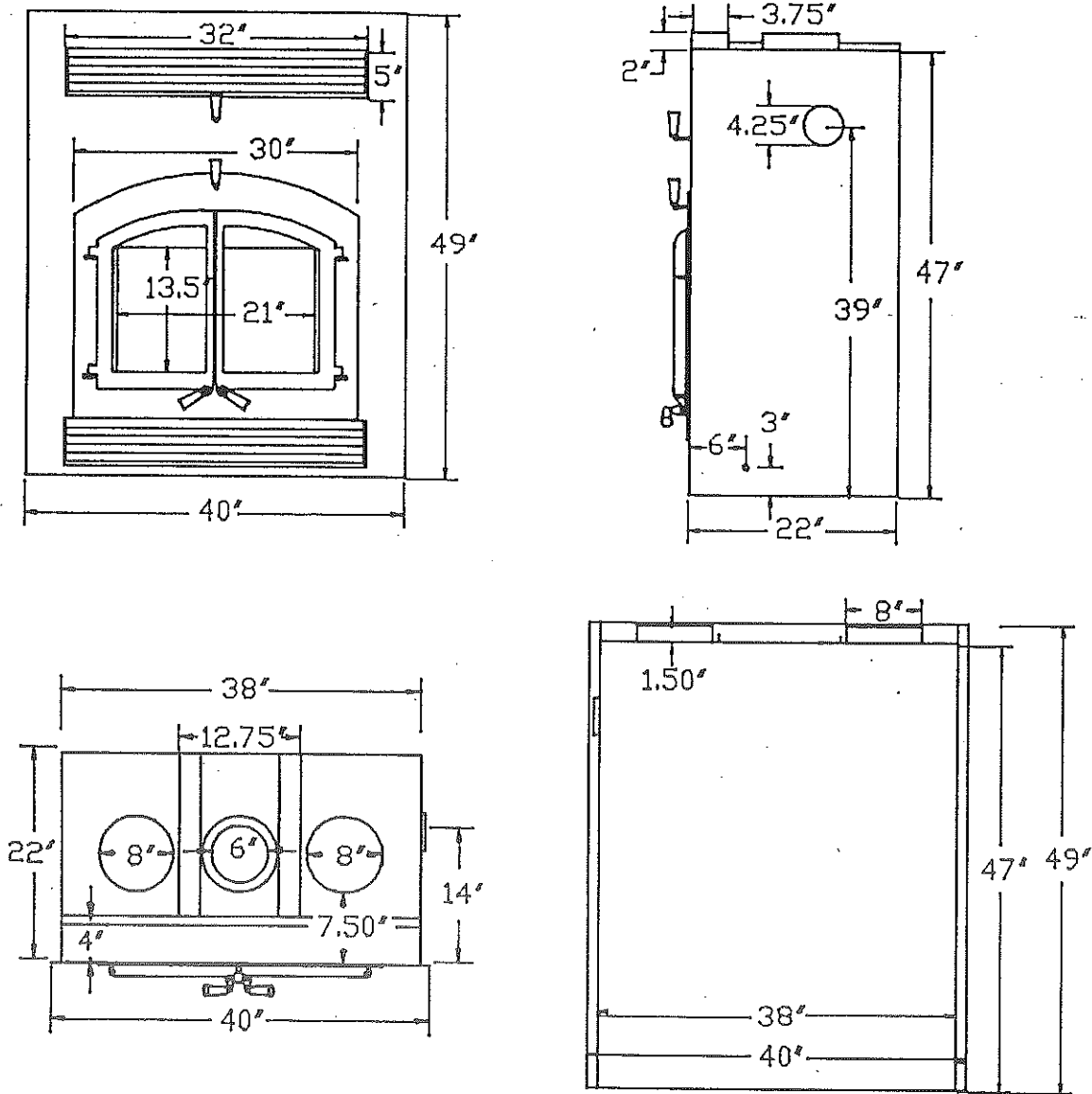


Fig. 1

INSTALLATION

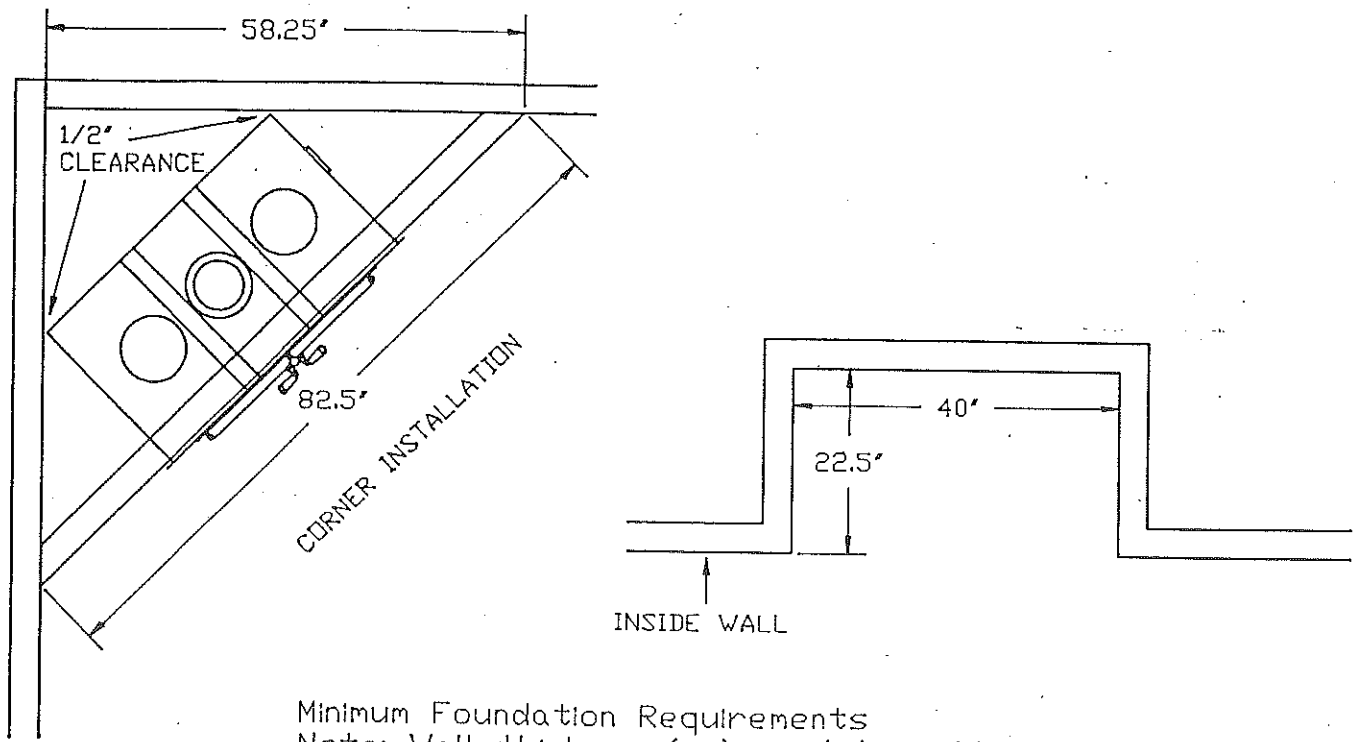
Note: Installation of this unit should only be done by a qualified installer.

Specifications: (see Fig.1)

Height	49"
Width	40"
Depth	22"
Flue Size	6"
Hot Air Ducts	8"

Minimum clearances to combustibles:

- A) Unit back to wood enclosure - 1/2"
- B) Unit sides to wood enclosure - 1/2"
- C) Unit door to an adjacent wall - 16"
- D) Heat vents to ceiling - 10"
- E) Top of grill opening to a mantel - 6"



Minimum Foundation Requirements
 Note: Wall thickness(es) must be added.

Fig. 2A

MINIMUM HEARTH AND HEARTH EXTENSION MEASUREMENTS.

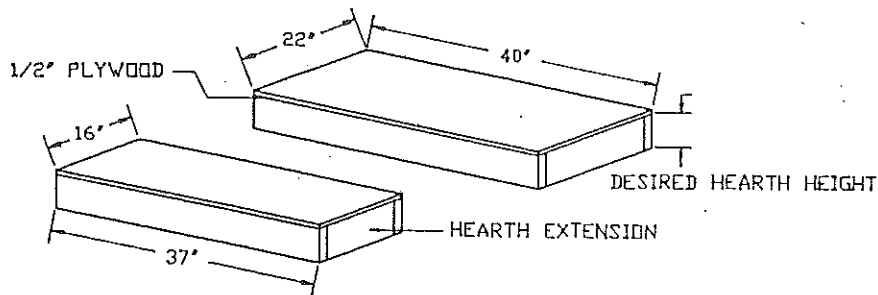


Fig. 2B

Installation:

1. Place the unit in the desired location. This unit may be placed on any flat combustible or non-combustible floor surface without carpeting or linoleum. A minimum depth of 22-1/2", width of 40", height of 49" plus hearth height is required for installations. See Fig. 2A.

NOTE: A non-combustible hearth extension must be used. If the unit is to be installed without a raised hearth it must extend 24" in front of and 8" beyond the sides of the fuel opening. If the unit is to be installed with a raised hearth, it must extend 16" in front of and 8" beyond the sides of the fuel opening. See Fig. 2B.

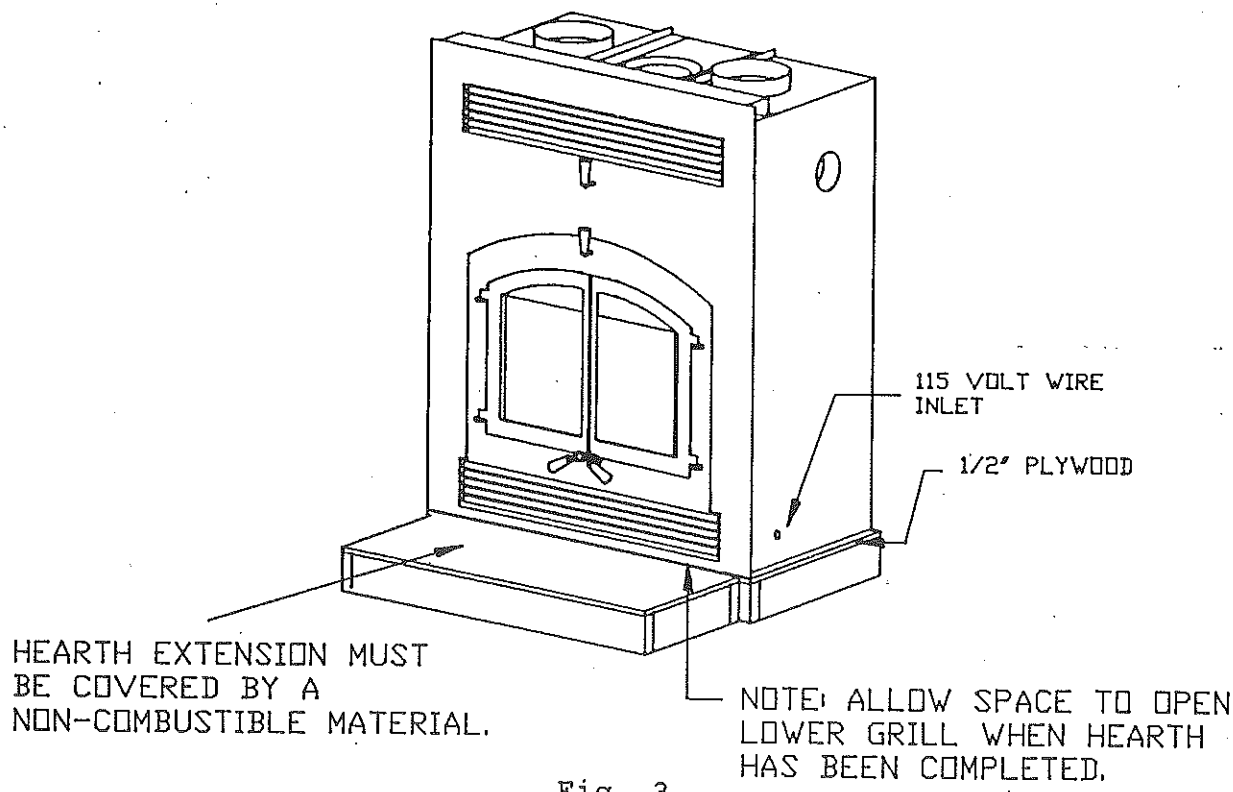


Fig. 3

NOTE: If using the optional fan kit run 115V wiring into the lower right of the unit (a knockout is provided). NOTE: The bottom grill must be allowed to open. Do not place the unit in a manner that would obstruct this grill. See Fig. 3.

2. Place a bead of hi-temp silicone caulk (included with your unit) under the appropriate chimney anchor plate (purchased with your chimney system) and push the plate collar into the fireplace flue. See Fig. 4. Secure with metal screws. Connect the first chimney section per the manufacturer's installation instructions.

NOTE: Recommended chimney systems are 6" HT double-wall insulated pipes, such as Dura-Vent, Metalbestos, Pro Jet, Security, Metal-Fab or Jake Evans. Hussong Mfg Co Inc does not recommend the air-cooled chimney system.

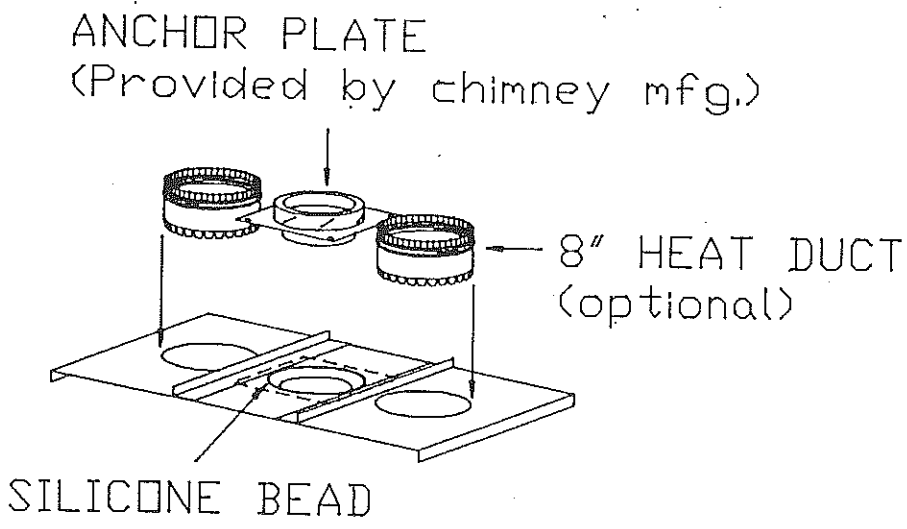


Fig. 4

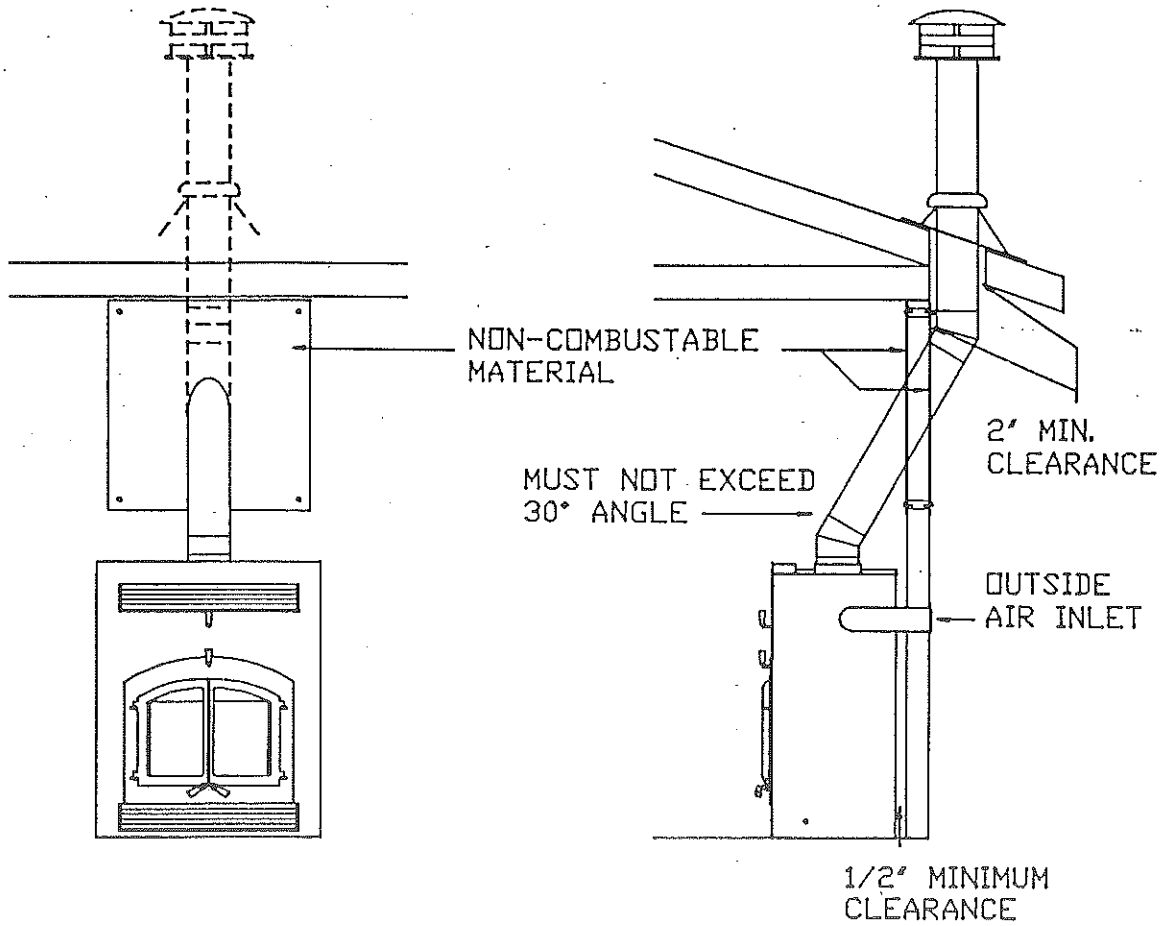


Fig. 5

3. Install the chimney in accordance to the chimney manufacturer's installation instructions. The chimney needs to be a minimum of 10' overall, with a minimum of 3' above the roof line and 2' above the nearest peak. See Fig. 5.

NOTE: This unit must have a chimney cap installed.

CAUTION: A straight chimney system is the method preferred. A maximum of 30 degree elbows are approved for use with this unit. Follow manufacturer's suggested clearances to combustibles.

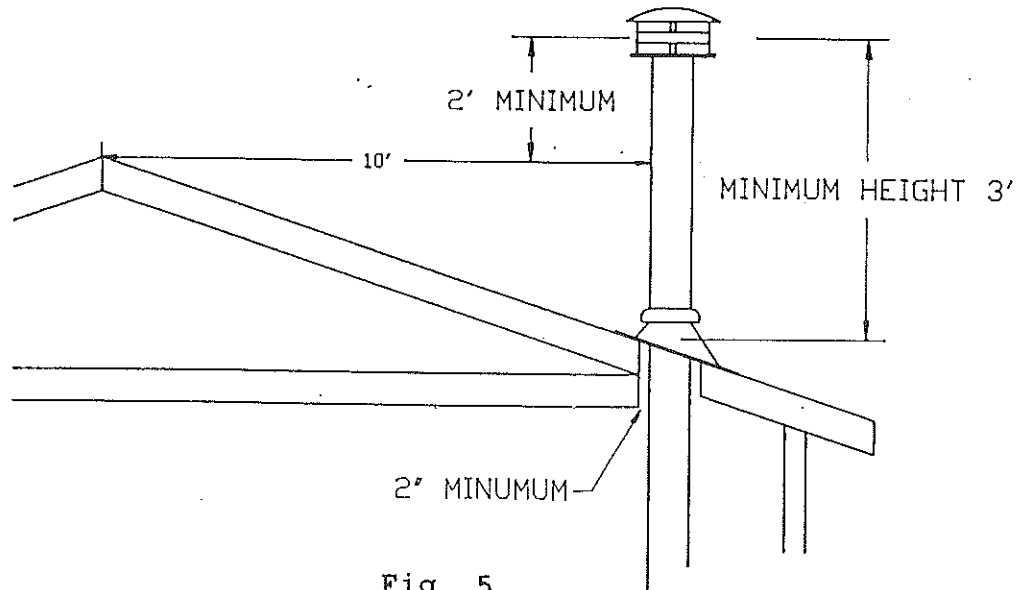


Fig. 5

4. This unit requires an outside air source for combustion. This should be connected before framing the unit in.

A) Connect 4" 30 gauge, or heavier, galvanized pipe to the adaptor.

B) Run pipe to the nearest outside wall. Connect sections with metal screws.

NOTE: If the combustion air pipe runs for any length outside of the heat chamber, but inside the house, wrap it with insulation to eliminate condensation or frost build up.

C) If it is necessary to run the pipe for more than 10' it is recommended that you increase to a 6" pipe. The maximum length recommended to run the pipe is not more than 26 feet and not more than three elbows. Duct the shortest possible way. DO NOT terminate in the attic or into a garage. If ducting beside the chimney chase, terminate the intake air at least three feet below the termination level of the chimney. The air can also be ducted below the floor level of the fireplace providing it is ducted to the outside.

NOTE: A closure vent is available to shut off the air at the outside termination of the intake pipe from inside the home. When the fireplace is not in use this eliminates any cold air transfer into the home. See Kozy Heat's accessory catalog for more information on the closure and non-closure vents available. We recommend the use of this vent on all Kozy Heat installations.

5. Heat outlet ducts may be vented into the same room as the fireplace or may be vented to other rooms. Venting should be completed before framing the unit in. An optional duct kit is available from your dealer and includes the necessary adaptors and vent grills.

CAUTION: Use only a Kozy Heat duct kit. Use ONLY 8" vent pipe, do not reduce the size. Leave 2" clearance to combustibles.

CAUTION: Do not terminate the heat register outlet covers below the hot air ductwork outlets to prevent a heat sink. See Fig. 6.

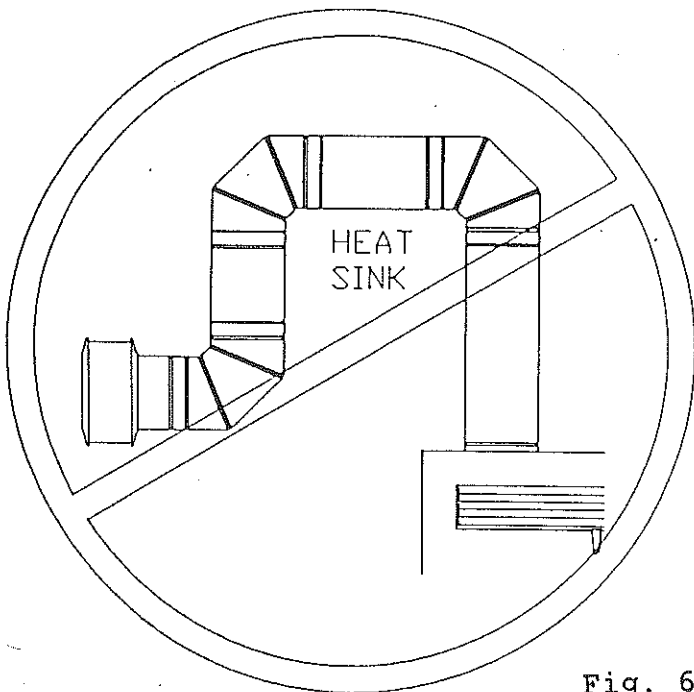


Fig. 6

CAUTION: Do not terminate the heat register outlet covers below the hot air ductwork outlets to prevent a heat sink.

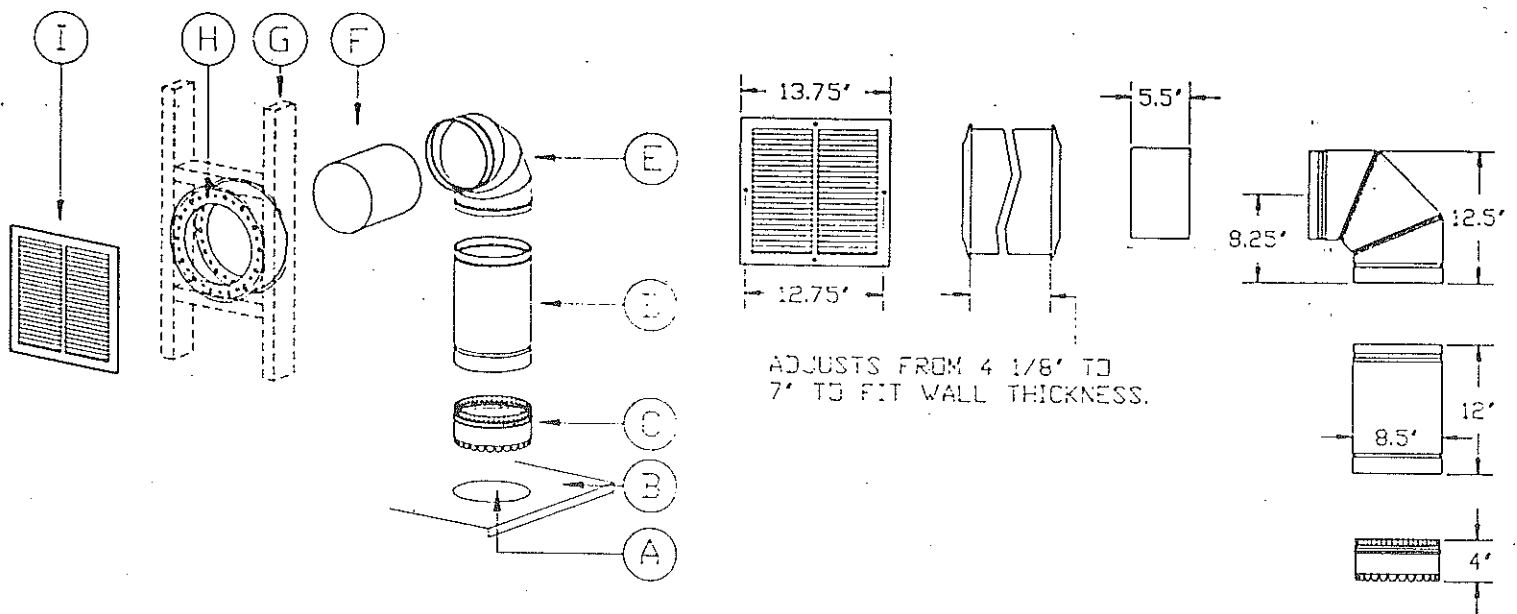


Fig. 7

OPTIONAL HEAT DUCT KIT

Your optional heat duct kit includes:

1. Adaptor Rings - 2 (C)
2. 1' Section 'B' Vent Pipe - 2 (D)
3. 'B' Vent Elbow - 2 (E)
4. Extension Sleeve - 2 (F)
5. Wall Thimble - 2 (H)
6. Grill Cover - 2 (I)

The upper grill may be bricked over IF using both heat register outlets. Use Kozy Heat's options grill cover. When running the pipe through a wall, the thimble shield must be used.

Using Figure 7 as a guide:

- a) Using a utility knife, cut the insulation (A) away from the 8" holes on top of the unit (B).
 - b) Place an adaptor ring (C) into the hole and bend the tabs back to secure in place.
 - c) Connect 8" 'B' vent pipe (D) to the adaptor ring and secure.
 - d) Connect additional pipe sections, and/or elbows (E) to the desired length.
 - e) When passing through the wall termination install the thimble (H), and extension sleeve (F) to prevent heat transfer.
 - f) The grill covers (I) are attached upon completion of the wall.
- NOTE: Thimbles should terminate 10" below ceiling level.

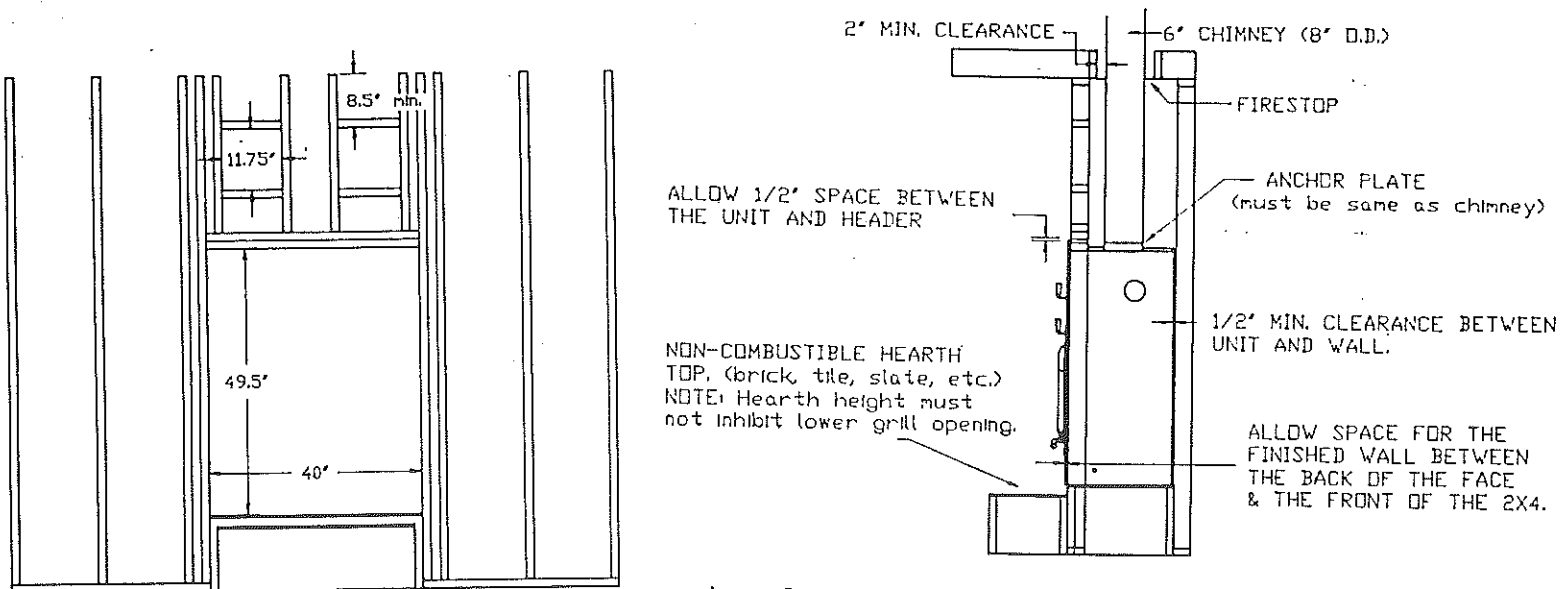


Fig. 8

6. Frame in the fireplace. Maintain the necessary clearances to combustibles. The framing materials should not come in actual contact with the fireplace. See Fig. 8.

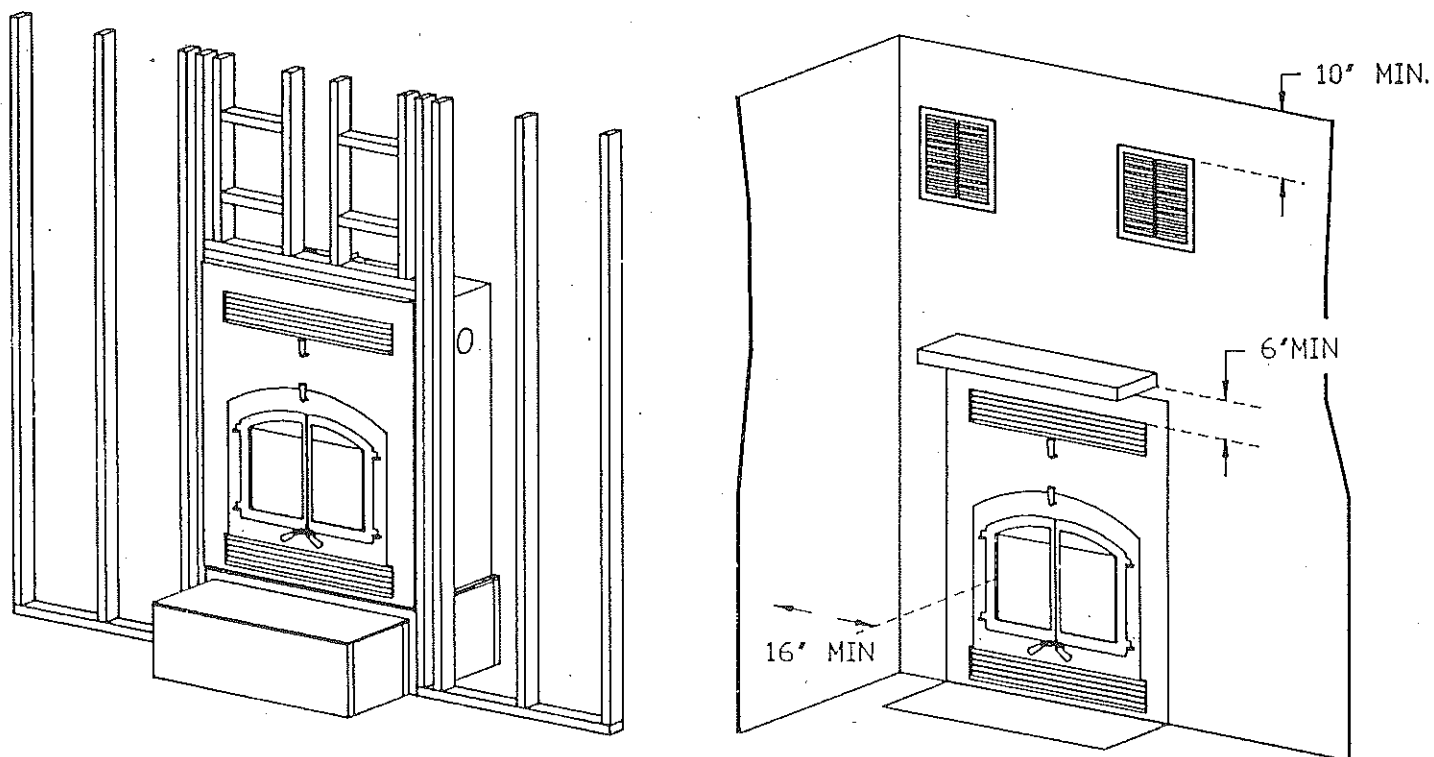


Fig. 9

7. Complete the fireplace front.

NOTE: The fireplace may have an exposed face, or may be covered with a surface material. This material **MUST** be non-combustible in nature from the bottom of the unit to 6" above the upper grill. Brick, tile, marble, or stone may be used. This material must not come in direct contact with the unit or cracking of the face materials will occur. Do not place the facing or other surface materials closer than 3" from the unit door, to allow adequate room for opening the doors.

CAUTION: If using "thin" brick a non-combustible facing material must be used in front of the unit face. This facing must not be attached to the unit.

If installing with an exposed face, place facing material behind the fireplace face flange and go to step #13. See Fig. 9.

8. Lay face brick in front of the fireplace (do not tie the brick to the unit).

9. At approximately 10 brick courses high (depending on the brick size) lay the optional arched lintel iron on the brick (do not tie to the fireplace). See Fig. 10.

NOTE: If using a straight lintel the lintel would be placed at approximately 12 courses high.

CAUTION: Do not lay the brick so close to the doors that it will hinder them opening.

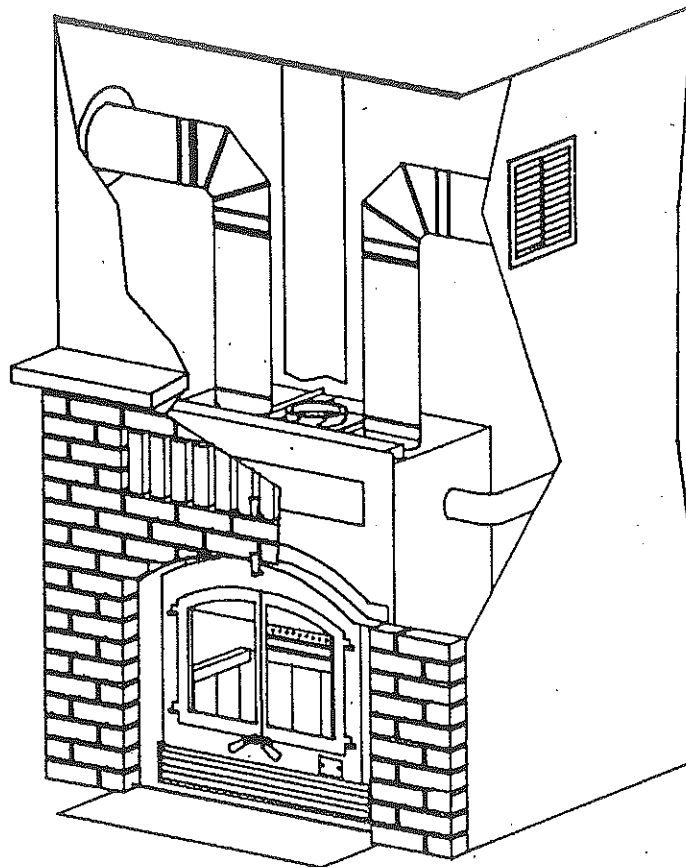


Fig. 10

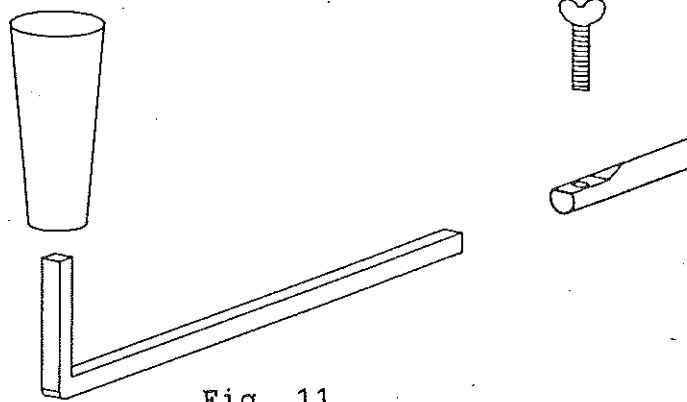


Fig. 11

10. It is necessary to lengthen the damper rod to allow for the extra depth of the brick facing. To lengthen: See Fig. 11.

a) Remove the upper grill. b) Reaching into the opening, loosen the wing bolt located near the face of the unit. Pull the square damper rod out to the necessary length. The rod should extend 1-1/2" beyond the facing material to allow for the damper handle and "finger room".

c) Retighten the wing bolt.

d) Replace the upper grill.

11. If desired, soldier brick may be used in place of the upper grill.

12. The upper grill may be covered, using our optional grill cover, providing both upper duct vent outlets are used.

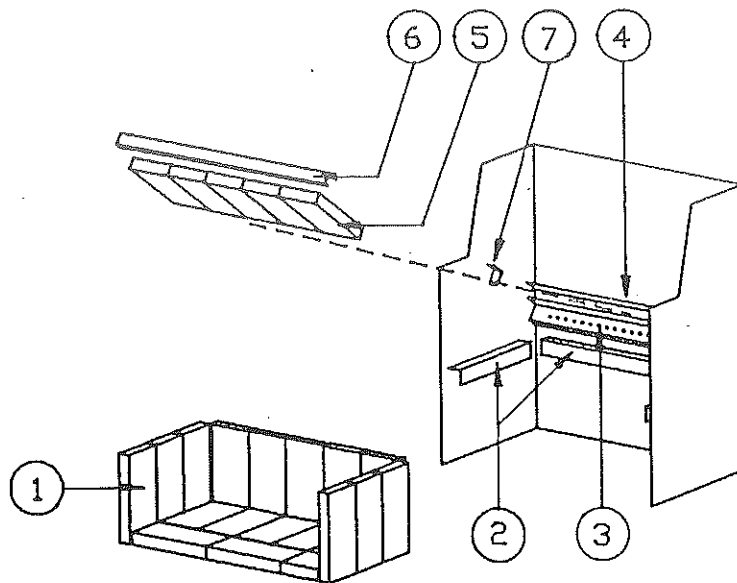


Fig. 12

13. Install the firebrick. See Fig. 12.

a) Starting in the back of the unit, place 5 firebrick under the firebrick brackets.

b) Using the same method, place three firebrick on each side.

c) Place the bottom firebrick in using the diagram as a pattern.

d) Place five firebrick (5) into the angled brick bracket (4). These firebrick are positioned at a 45 degree angle. Leave a 1-1/4" space on each end.

e) Place the stainless steel cap (6) over the top edge of the angled firebrick and rest the ends on the brackets (7).

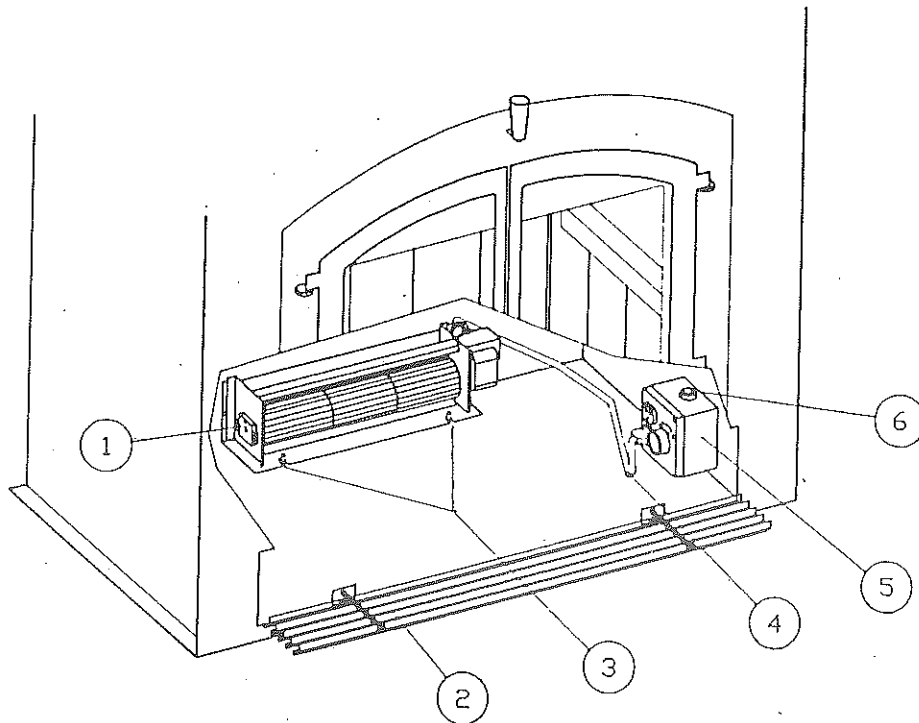
14. Install damper and door handles.

OPTIONAL FAN KIT

Your optional fan kit includes:

1. 220 CFM Fan
2. Electrical Box Assembly
3. 2 - 1/4" Wing Nuts
4. 3 - Wire Nuts

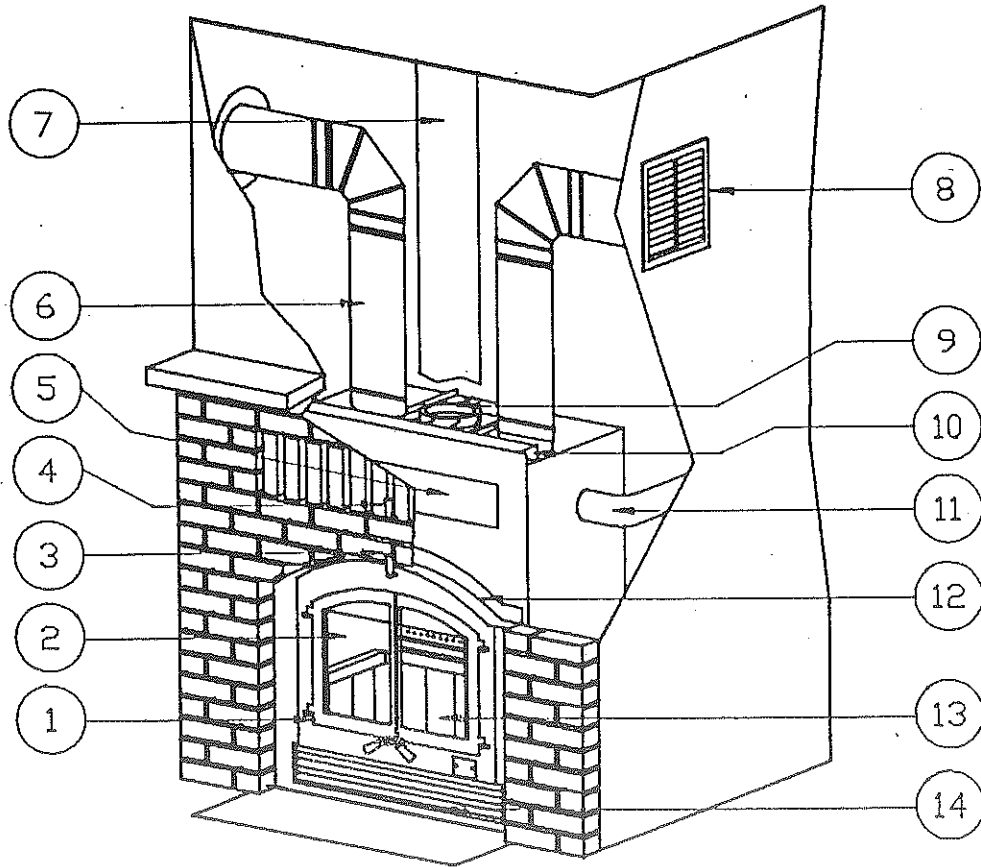
NOTE: INSTALLATION OF THIS KIT SHOULD BE DONE ONLY BY A QUALIFIED INSTALLER.



1. Open the lower grill (2).
2. Place fan (1) over mounting studs (3).
3. Place wing nuts on mounting studs and tighten.
4. Remove cover from electrical box (5).
5. Insert pipe through knock out hole.
6. Secure with pipe nut on outside of unit.
7. Insert 115V wiring (with ground) through pipe.
8. Connect wires to pre-assembled cover.
9. Attach cover onto electrical box and secure.
10. Plug cord (4) into receptacle.
11. Turn on/off speed control clockwise slightly until it clicks.

NOTE: Fan will not turn on until heat is applied to the thermostatic control switch (6).

NOTE: Fan will turn on and off automatically when the fireplace heats and cools. Adjust fan to desired speed while it is running.



PARTS LISTS

- | | |
|---------------------------------|------------------------|
| 1. Arched Door Frame | 8. Hot Air Duct Cover |
| 2. Pyrex Glass | 9. Anchor Plate |
| 3. Intake Damper Handle | 10. Header Stand-off |
| 4. Chimney Damper Handle | 11. Outside Air Inlet |
| 5. Heat Outlet Grill | 12. Arched Lintel Iron |
| 6. Heat Air Ductwork | 13. Firebrick Lining |
| 7. Class 'A' Chimney | 14. Lower Grill |

SHOT

SAVE THESE INSTRUCTIONS!

Contact your dealer or the factory for any additional information you may need.

REPLACEMENT PARTS

- 1) 11" x 16-3/8" Glass
- 2) Damper Handles
- 3) Latch Handles
- 4) Door Felt
- 5) Door Rope—3/8"

Hussong Mfg. Co., Inc.
110 South Main Street
P. O. Box 577
Lakefield, MN 56150
507-662-6641
FAX: 507-662-6644