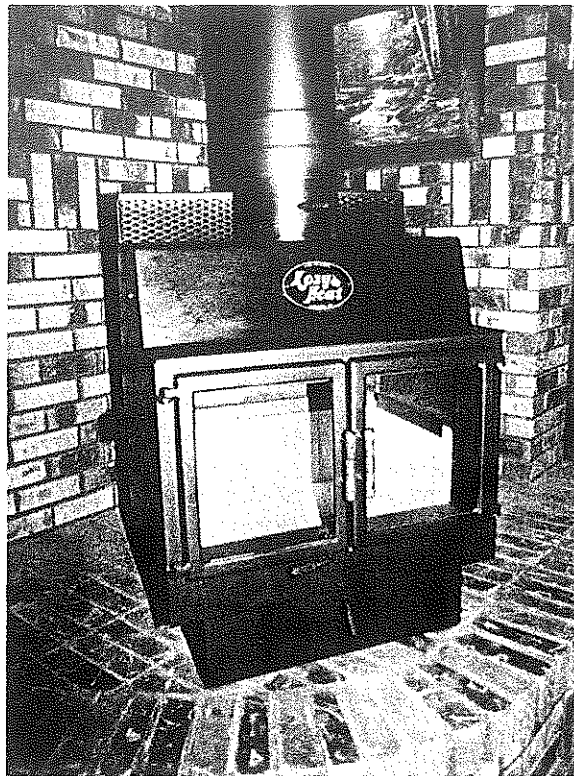


INSTALLATION INSTRUCTIONS & OWNERS MANUAL

Kozy HeatTM

FREESTANDING FIREPLACE



MODEL NO.

100

101

SAFETY NOTE: If this room heater is not properly installed, a house fire may result. For your safety, follow the installation instructions.



INSTALLATION

A. Manufacturers Recommendations for Installation

This unit creates a great deal of heat because of its design. We recommend the following clearances for safe operation.

- a) The stove must be set on a non-combustible material such as an approved stove board or brick. This material must be equivalent to $\frac{3}{8}$ " asbestos millboard.
- b) 36" from sides or back to combustible wall.
- c) 18" from sides or back to non-combustible wall.
- d) 36" from any side to any combustible surface or furniture.
- e) 36" of clearance from the top of the chimney to a combustible ceiling, if the chimney elbows out through a wall.

B. Items Needed for Installation

1. 24 gauge or heavier stove pipe 8" in diameter (and elbow if chimney is to duct out through a wall).
2. 30 gauge 4" galvanized or aluminum pipe to duct in outside air. (optional)

C. Installation

Due to the nature of the hi-temp paint on this unit we suggest that the first burn should be outside of the house to prevent smoke build up inside.

1. Prepare the base with sheet metal clad $\frac{3}{8}$ " thick asbestos millboard, or equivalent.
 - a) This material must extend 8" from each side of the stove and 16" out from the front for safe operation.
2. If using a noncombustible material on the wall behind the unit, leave at least 1" of air space between it and the combustible wall.
3. Remove the doors and firebrick from the stove, to lessen the weight load.

NOTE: The doors are not permanently attached. To remove lift upwards at the hinges.
4. Set the stove in the desired location.
5. Your Kozy Heat Freestanding stove can use either room air, or outside air for combustion.
 - a) If you desire to use room air for combustion, the unit is installed with no changes from the way you received it.
 - b) If you want to use outside combustion air you connect the 4" air inlet, located under the front of the stove to 4" duct work.
 - c) You may connect to outside air by running a 4" duct straight out the rear bottom of the unit and through the wall.
 - d) You also may run a 4" duct down through the floor and out through a basement wall.

NOTE: We recommend this work be performed by a qualified installer.
6. From the top of the 8" stack run 8" 24 gauge stove pipe to the ceiling or, with a 24 gauge elbow, to your wall.
7. Adapt at this point to either an approved Class "A" masonry chimney or an approved Class "A" All-Fuel metal chimney.

CAUTION: Use a Class "A" thimble when going through the ceiling or wall.

NOTE: The flue capacity of the chimney must be at least 8" in diameter.

NOTE: When adapting to a chimney system you must follow the manufacturer's installation instructions if using steel all-fuel chimney, or the Uniform Building Code requirements for masonry chimneys.

NOTE: When attaching flue pipe to the chimney connector on the stove, each pipe must fit to the inside of the one below it. Three metal screws should be used at each section to secure the pipes together.

NOTE: U.L. requires that wood-burning appliances do not connect to chimneys serving another appliance.
8. Lay the firebrick on the sides and base inside the unit, as shown on the enclosed sheet.
9. Replace the fireplace doors.
10. Install optional fan, if desired. When installing the fan kit, first note the mounting holes in the center of the back of the unit. Also note a metal flange 2" back under the unit. Slip one edge of the fan under the flange and insert two bolts through the mounting holes and secure them tightly. The fan is to be mounted so the air flow is through the channel on the back of the unit.

CAUTION: Do not lay the electrical cord on the surface of the unit. The fan should be cleaned and oiled after each six months of use.

OPERATING & MAINTENANCE TIPS

A. How Your Unit Operates to Provide Heat to Your Home

Your Kozy Heat fireplace provides heat in two ways. First the unit radiates heat from all exposed areas, including the door system.

NOTE: The unit gets very hot and care must be taken to avoid direct contact with the metal or glass areas of the stove. Severe burns could result in contact.

The unit also draws air in at the base of the passage at the rear of the unit. Air is drawn through this passage, heated and is forced into the room at the top. This air movement can be increased by use of an optional fan.

B. Starting the Fire

1. Open the damper by turning the handle at the top of the stove counter clockwise.
2. Open draft control by pulling the lever at the bottom of the unit straight out.

NOTE: Excessive pressure to open and close these dampers is unnecessary. They will operate freely.

NOTE: The combustion air is controlled by the damper control closest to the door level and the exhaust damper is controlled by the damper control closest to the upper grill work.

3. Place a small amount of paper and/or kindling wood in the center rear area of the firebox. Place three or four small pieces of dry, seasoned wood on top of the kindling. Lay them in loosely, leaving plenty of space for air circulation.

CAUTION: Do not load the firebox with excessive amounts of paper, dry wood or soft, fast burning wood. This fast rise of intense heat can cause a thermal shock of the door glass. This could cause it to crack.

4. Build your fire no closer than 6" from the front of the unit.

NOTE: This unit is designed to be used without a log grate. Burning materials are to be placed directly on the firebrick.

5. Light paper and kindling with matches.

WARNING: Never use gasoline, gasoline-type lantern fuel, kerosene, charcoal lighter fluid, or similar liquids to start or "freshen up" a fire in this heater. Keep all such liquids well away from the heater while it is in use.

6. Close doors to approximately a 1" opening.

C. Operating the Unit

1. When fire is burning well on kindling, add larger wood.

2. Do not overload with wood. This unit needs only 4 to 6 pieces of average sized split wood to generate maximum heat. This is approximately 40 to 50 lbs. of seasoned firewood.

3. Close doors and latch. CAUTION: Fireplace should not be operated with the doors open.

NOTE: Each fireplace installation is different. You will need to experiment to determine the best settings for your fireplace and chimney to achieve the best fire and maximum heat.

Your draft control is fully open when the upper lever is turned counter clockwise until it meets resistance and is fully closed when turned so handle is horizontal.

Your incoming air supply is fully open when the handle is pulled all the way out. The incoming air supply is adjustable by pushing the handle in or pulling it out.

NOTE: If damper and draft are in a closed position you will create a better, longer lasting fire.

4. This unit will operate best if you maintain a bed of ashes about 1" deep.

NOTE: At the initial burning of your unit you may detect a faint odor. This is normal with a new unit, and is not harmful. This odor should not last more than the first burning.

CAUTION: When opening doors while fire is burning, be sure to open the damper first, otherwise smoke will escape into your room.

WARNING: When fire is burning, steel front plate will get hot. Do not touch or place flammable material near the fireplace when in use.

D. Maintenance Tips

1. Do not burn excessive amounts of waste paper.

2. Do not obstruct air inlet or outlet screens, this can cause your fireplace to overheat.

3. Do not store clothing, furniture or combustibles within 36" of unit.

4. Burn only dry seasoned wood.

a) This wood burns easiest and prevents creosote buildup.

b) We recommend seasoned OAK, ASH, BEECH, BIRCH or MAPLE hardwoods.

5. This unit burns very efficiently when used with the damper and air intake closed down. Because of this the glass panes will have a tendency to smoke up. We recommend they be cleaned with Easy Off Oven Cleaner.

NOTE: It is imperative that you clean the glass when the fire is out and the glass is cool.

6. Ashes should be placed in a metal container with a tight fitting lid. The closed container of ashes should be placed on a noncombustible floor or on the ground, well away from all combustible materials, pending final disposal. If the ashes are disposed of by burial in soil or otherwise locally dispersed, they should be retained in the closed container until all cinders have thoroughly cooled.

7. When wood is burned slowly, it produces tar and other organic vapors, which combine with expelled moisture to form creosote. The creosote vapors condense in the relatively cool chimney flue of a slow-burning fire. As a result, creosote residue accumulates on the flue lining. When ignited this creosote makes an extremely hot fire.

The flue and chimney should be inspected at least twice monthly during the heating season to determine if a creosote buildup has occurred.

If creosote has accumulated it should be removed to reduce the risk of a chimney fire.

9. For further information on using your heater safely, obtain a copy of the National Fire Protection Association publication "Using Coal and Wood Stoves Safely," NFPA No. HS-10-1978. The address of the NFPA is 470 Atlantic Avenue, Boston, Massachusetts 02210.

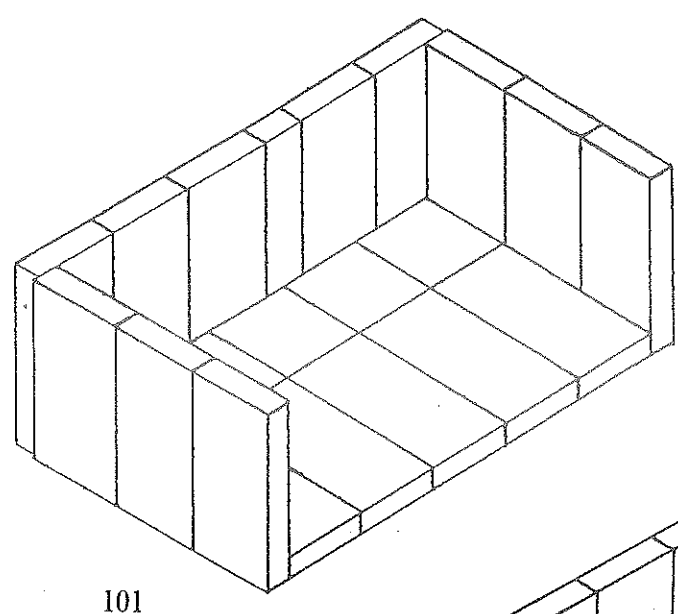
9. If you have any questions contact your local dealer.

REPLACEMENT PARTS

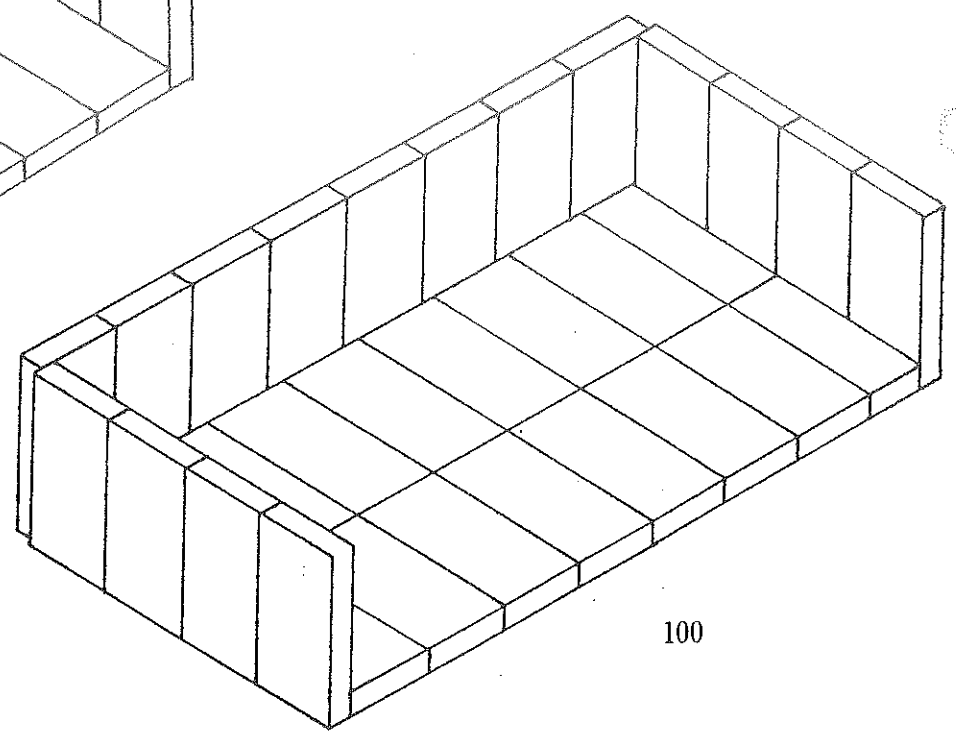
- 1) a) 14 x 15 Glass (one pane)
for model #100
- b) 10 x 12 Glass (one pane)
for model #101 ~~100~~
- 2) Door Knob (2)
- 3) Damper Knob (1)
- 4) Air Inlet Knob (1)
- 5) Firebrick (each)

Hussong Manufacturing Co., Inc.
110 South Main Street
P.O. Box 577
Lakefield, Minnesota 56150

FIREBRICK LAYOUT



101



100