

QUALITY FIREPLACES FOR LIFE.

KOZY HEAT FIREPLACES | SP41 & SP34

SP34 Prairie Design Overlay
optional Black Enamel refractory



KOZY HEAT
FIREPLACES

SP41 & SP34
DIRECT VENT FIREPLACES

SP41 with a Standard screen front
and optional Black Enamel refractory



FIREPLACE OPTIONS, ACCESSORIES & CONTROLS

Options



Arched Prairie Design Overlay
No Refractory



Prairie Design Overlay with optional Beach Accent Kit
and optional Black Enamel refractory



Standard screen front with optional
Black Enamel refractory

Optional Refractory



Black Enamel

IPI Control

(Standard on SP41-L)



Komfort Kontrol
Remote

Millivolt & IPI LE Option Controls



Thermostat Remote or
Deluxe On/Off Remote



Wired or Wireless Wall
Mount Thermostat



Wireless wall switch

Vent System Approval & Requirements

This fireplace is manufactured to accept 6 5/8" x 4" direct vent chimney for horizontal and vertical terminations. Refer to the installation manual for specifications.

IMPORTANT: A wall thimble/pass thru must be used on ALL horizontal vent runs that pass through interior OR exterior walls. (follow vent manufactures instructions)

Elbows: For each additional 90° elbow used after the first elbow, 3' must be subtracted from the maximum venting allowed. For each additional 45° elbow used after the first elbow, 1½' must be subtracted from the maximum venting allowed. Note: (2) 45° elbows = (1) 90° elbow.

Horizontal Terminations
Minimum: 90" + 6" + cap
Maximum: See Manual

Vertical Terminations
Minimum: 3' + vent cap
Maximum: 50' + vent cap

THE SP SERIES

The **SP Series** offers a slim-profile design & value that is the best in its class. Available in either an IPI version or a Millivolt system, the **SP** offers a large viewing area, realistic logs, and efficiency that makes it the perfect fireplace for any room in your home.

Optional Media Kit



Beach Accent Kit
(SP34 only)

Burn Video



SP41



SP34

SPECIFICATIONS

Fireplace brochures are for advertising purposes only. Refer to the specific fireplace manual for installation.

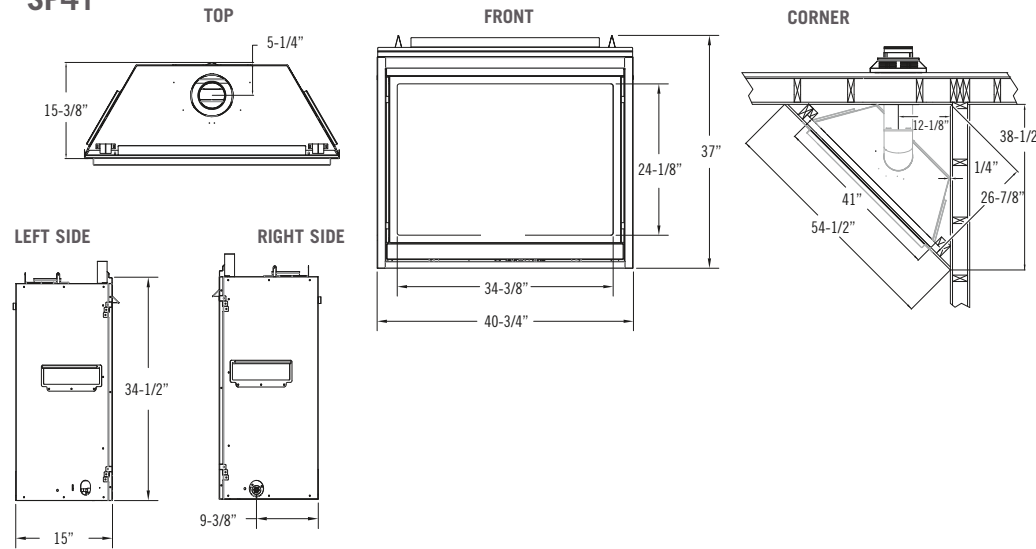
Model	SP41	SP34
Height	34-1/2"	30-7/8"
Width	40-3/4"	34"
Back Width	24-1/8"	27"
Depth	15"	13-1/2"
Weight	143 lbs	90 lbs
Viewing Area	34-3/8" x 24-1/8"	28" x 20-1/2"
BTU NG High / Low	28,000 / 14,000	20,500 / 14,000
BTU LP High / Low	28,000 / 14,000	20,500 / 15,000
ENERGUIDE P.4 NG / LP	74.05% / 74.55%	74.57% / 74.36% (LE) 73.74% / 73.3% (MV)
Steady State NG / LP	77.56% / 77.64%	73.82% / 76.68%
AFUE % NG / LP	71.11% / 71.19%	67.17% / 68.91%
Accent Media	N/A	Optional
Ceramic Media	Standard	Standard
Valve System	IPI & Millivolt	IPI & Millivolt
Fan Kit	Optional in MV Standard in IPI	Optional
Screen Front	Included	Included

Clearances Features, Options & Specifications are subject to change.

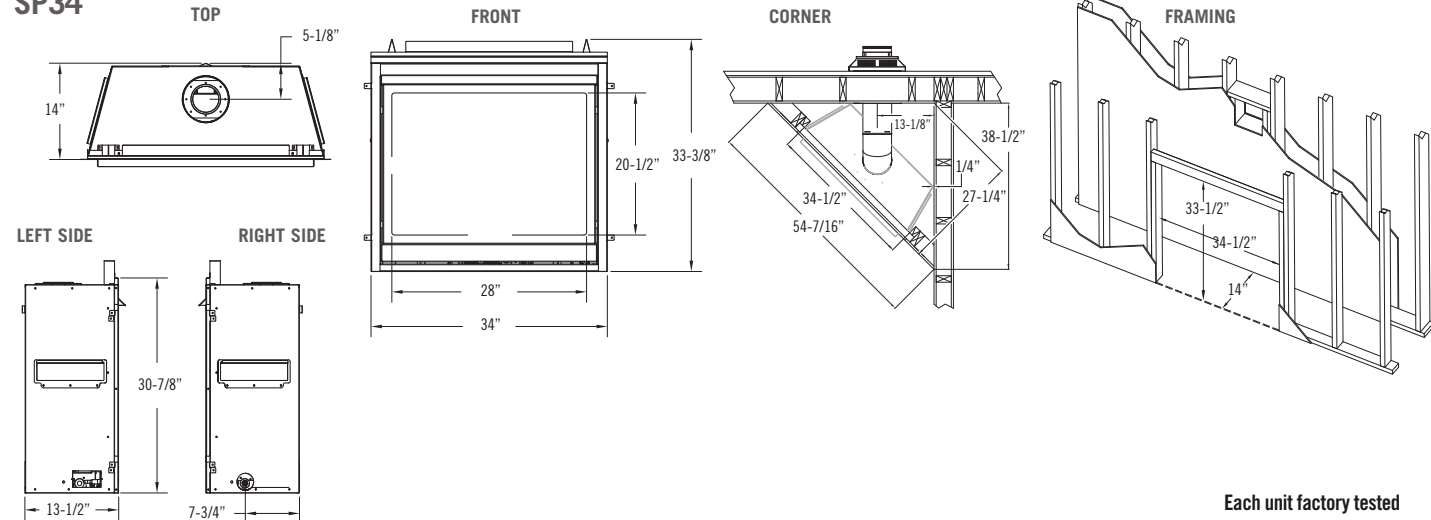
Model	SP41	SP34
From appliance top stand-off bracket	0"	0"
From facing material 1" (25mm) stand off	0"	0"
From appliance back stand offs	0"	0"
From appliance corners	1/4"	1/4"
From appliance front	36"	36"
From appliance top to ceiling	25"	12"
Appliance sides to adjacent sidewall	4-1/2"	4-1/2"
Fireplace enclosure floor to 3/4" (19mm) trim	37-1/8"	33-1/2"
Mantel 6" deep from fireplace enclosure floor	40-1/2"	37"

Refer to the installation manuals for complete installation & venting requirements. See additional mantel clearance configurations in the installation manual.

SP41



SP34



Each unit factory tested

Certified to ANSI Z21.88 Vented Gas Heaters

In order to continually provide the highest quality product available, features/options, specifications & dimensions are subject to change. Refer to the unit installation manual for complete installation instructions. Installation must conform with local building codes. **In some regions it may be possible that this appliance qualifies for an energy rebate. See your local dealer for details regarding promotions and qualifications.**

Product Line:



For complete information on the Kozy Heat product line, please contact us at:

Manufactured by Hussong Mfg. Co., Inc.
204 Industrial Park Drive, Lakefield, MN 56150
Phone 1-800-253-4904 www.kozyheat.com

7-18

