

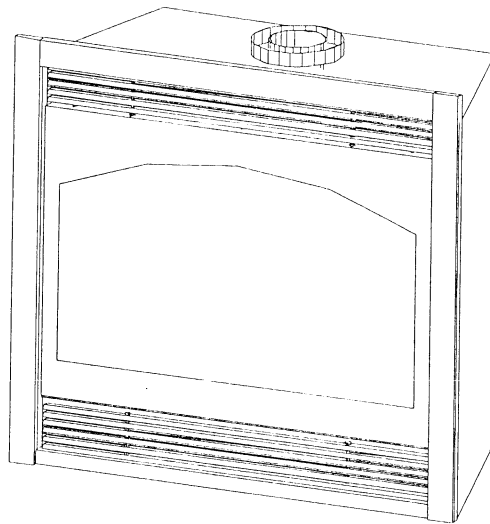


INSTALLATION & OPERATING MANUAL

MODELS:

#932 DIRECT VENT WALL-FURNACE

#936 DIRECT VENT WALL- FURNACE



U.S. Patents:

#5.931.154

#6.004.493

IMPORTANT:

READ INSTRUCTIONS CAREFULLY BEFORE INSTALLATION. FAILURE TO INSTALL THIS FIREPLACE CORRECTLY CAN CAUSE SERIOUS STRUCTURAL AND FIRE HAZARDS AND MAY VOID YOUR WARRANTY

GLOBAL POSITIONING: N43° 40.177' W095° 10.662'

www.kozyheat.com

Warnock Hersey



September 2002

INDEX

<u>DESCRIPTION</u>	<u>PAGE</u>
SAFETY REQUIREMENTS / SPECIFICATIONS	2-3
MINIMUM CLEARANCES	3
GAS CONVERSION KIT	3
PREPARE THE UNIT	4
DETERMINE LOCATION	4-5
ROUGH-IN CHIMNEY VENT DIMENSIONS	6
ROUGH-IN DIMENSIONS	6
VENTING REQUIREMENTS	7-10
DIRECT VENT KIT INSTALLATION	9
FAN INSTALLATION	11-12
GAS LINE SPECIFICATIONS	13-14
MILLIVOLT BOARD REMOVAL / INSTALLATION	14-15
LOG INSTALLATION	16-17
WALL SWITCH - THERMOSTAT - REMOTE CONTROL INSTALLATION	18
COMPLETE THE INSTALLATION	19-20
LIGHTING & SHUTDOWN	21-22
PRESSURE TESTING	23
CLEANING & MAINTENANCE REQUIREMENTS	24
TROUBLE SHOOTING	25-26
REPLACEMENT PARTS LISTS	27-28
WARRANTY POLICY	29-30

IMPORTANT:

READ THIS MANUAL BEFORE INSTALLING AND USING THIS FIREPLACE

MODELS #932 DV & #936 DV WALL FURNACE INSTALLATION INSTRUCTIONS

This appliance has been tested to and complies with ANSI Z21.88-1998•CSA 2.33-M98, "VENTED GAS FIREPLACE HEATER". Installation must conform with local building codes, or, in the absence of local building codes, with the national fuel gas code, ANSI Z223.1-1992 NFPA 54, or the Manufactured Home Construction and Safety Standard, Title 24 CFR, Part 3280.

The appliance may be installed in an aftermarket permanently located, manufactured (mobile) home, where not prohibited by local codes. This appliance is for use only with the type of gas indicated on the rating plate. This appliance is not convertible for use with other gases, unless a certified kit is used.

INSTALLATION AND/OR REPAIR OF THIS UNIT SHOULD ONLY BE DONE BY A QUALIFIED INSTALLER

WARNING: If the information in this manual is not followed exactly, a fire or explosion may result causing property damage, personal injury or loss of life.

WARNING: This Product Must Be Installed By A Licensed Plumber Or Gas Fitter When Installed Within The Commonwealth of Massachusetts.

FOR YOUR SAFETY: WHAT TO DO IF YOU SMELL GAS:

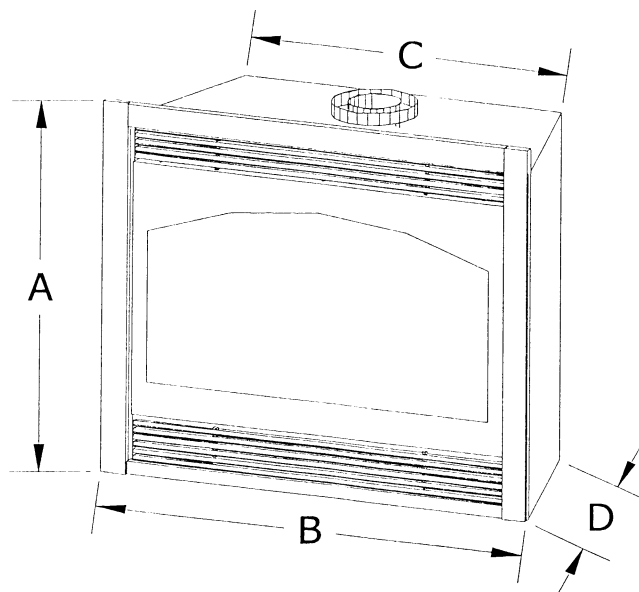
- Do not touch any electrical switches.
- Do not try to light any appliance.
- Do not use the phone in your building.
- Immediately call you gas supplier from a neighbor's phone.
- Follow the gas suppliers instructions.
- If you cannot reach your gas supplier, call the fire department.
- Do not store or use gasoline or other flammable vapors and liquids in the vicinity of this or any other appliance.

WARNING: Improper installation, adjustment, alteration, service or maintenance can cause injury or property damage. Refer to this manual. For assistance or additional information consult a qualified installer, service agency, or the gas supplier.

WARNING: Do not use this heater if any part has been under water. Immediately call a qualified service technician to inspect the appliance and to replace any part of the control system and any gas control which has been under water.

WARNING: DO NOT REPLACE THIS BURNER UNIT WITH ANY OTHER SIZED BURNER. REPLACEMENT WITH AN UNAUTHORIZED BURNER CAN RESULT IN TEMPERATURES EXCEEDING THE LIMITS FOR THIS UNIT, AND VOID YOUR WARRANTY.

UNIT SPECIFICATIONS -	#932DV	#936DV
Height (A):	25"	32"
Front width (B):	32"	36"
Back width (C):	22"	26"
Depth (D):	18 1/4"	18 1/4"
Face to front of 7" intake:	7 3/4"	7 3/4"
Face to center of 4" exhaust	11 1/4"	11 1/4"
Flue size: 4" exhaust, 7" intake		



IMPORTANT: THESE UNITS ARE APPROVED FOR USE ONLY WITH ONE OF THE FOLLOWING DIRECT VENT SYSTEMS :

- #745 DIRECT VENT TERMINATION KIT - for terminations 4' for less.

- #718 DIRECT VENT TERMINATION KIT - for terminations greater than 4' but less than 8'.

-#746 DIRECT VENT EXTENSION KIT - used in conjunction with #745 or #718. The extension kit is expandable to 6'.

- SIMPSON DURA-VENT DV-GS DIRECT VENT CHIMNEY SYSTEM: 4" x 6 5/8". For vertical terminations.

*Adaptor #923-C is required to adapt the flue collars to the Dura-Vent chimney system.

Refer to pages #7 - # 10 for complete venting installation instructions / requirements.

For visual inspection of proper vent connection; upon completion of installing the direct vent kit, remove the nuts and the baffle inside the unit to expose the lower end of the flue gas exit.

IMPORTANT: NON-COMBUSTIBLE FACING MATERIAL MAY BE APPLIED OVER THE FACE. TO PREVENT THE FACING MATERIAL FROM CRACKING AND FALLING OFF DUE TO EXPANSION OF THE FACE WHEN HEATED, DO NOT ATTACH FACING MATERIAL DIRECTLY TO THE FACE OF THE UNIT.

CLEARANCES

Minimum clearance to combustibles:

- From unit sides & back: 0"**
- From unit top stand-off: 0"**
- To flooring: 0"**
- From flue vent: 1"**
- From unit glazing to adjacent sidewall: 8"**
- From heat outlet to mantle: See figure 1.**

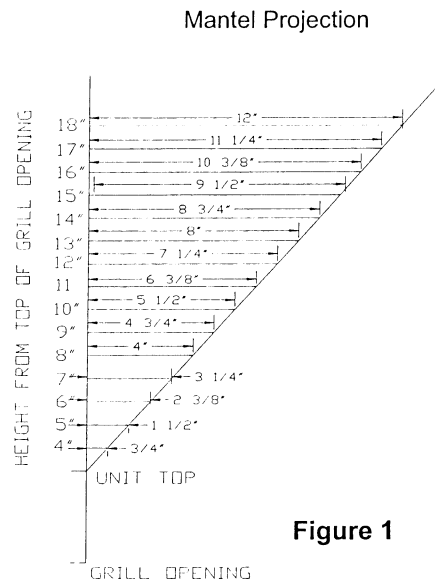


Figure 1

GAS CONVERSIONS

If a gas conversion is necessary, one of the following conversions kits must be used:

Natural Gas Conversion Kits - used to convert an LP millivolt board to natural gas.

Model #932 - OCK-338 Model #936 - #OCK-331

LP Gas Conversion Kits - used to convert a Natural Gas millivolt board to LP Gas.

Model #932 - OCK-353 Model #936 - #OCK-351

The conversion shall be carried out in accordance with the requirements of the provincial authorities having jurisdiction and in accordance with the requirements of the ANSI Z223.1 installation code.

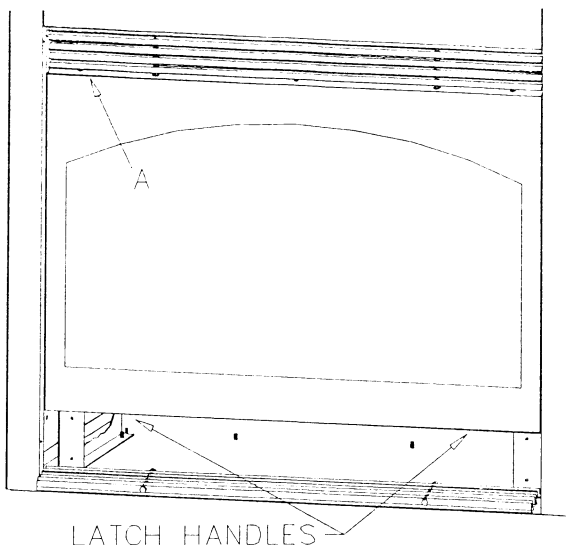
A) PREPARE THE UNIT

Figure 2

1. REMOVE THE GLASS ASSEMBLY.

See Figure 2.

- A. Locate the spring-loaded latch handles securing the glass assembly (under the firebox).
- B. Pull the handles out, then down to release the glass assembly.
- C. Pull the bottom of the glass assembly out and lift up off the tabs (at the top).
- D. Set aside where it will not be broken.
- E. Remove the log package from the firebox and set aside.



B) DETERMINE LOCATION. See Figures 3A & 3B.

1. Determine the exact position of your fireplace. If possible, place the fireplace in such a manner that the piping will be placed between two studs so additional framing is not necessary. Determine the width, depth and height of the (optional) hearth.

2. The unit may be installed on either the outside or inside of an exterior wall. **See Figures 3A & 3B, page 5** for various installation options.

The location of doors, windows, soffits/overhangs, etc. must be considered in relation to where the vent termination cap will be located. Refer to figure 5, page 8.

All clearances to combustible requirements must be maintained. Follow clearance requirements on page 3.

3. If the optional heat ducts are used, their location must be considered in relation to the fireplace.

The heat ducts may be vented into the same room as the fireplace or may be vented to other rooms. A maximum run of 20 ft. for each duct is recommended.

Venting should be completed before framing the unit it.

Refer to instructions included in the #970 duct kit for complete installation requirements.

4. If using the optional fan kit, 115V wiring should be run to the lower left of the unit by a qualified technician. A removable electrical box panel with romex connector is located on the left side of the fireplace. The wiring should be run prior to enclosing the sides of the unit.

CAUTION: COLD AIR TRANSFER AREA. THE SURROUNDING WOOD CHASE OF THE OUTSIDE WALL MUST BE INSULATED TO PREVENT COLD AIR FROM ENTERING THE ROOM.

NOTE: Due to high temperatures, this unit should be located out of traffic areas and away from furniture and draperies.

Figure 3A

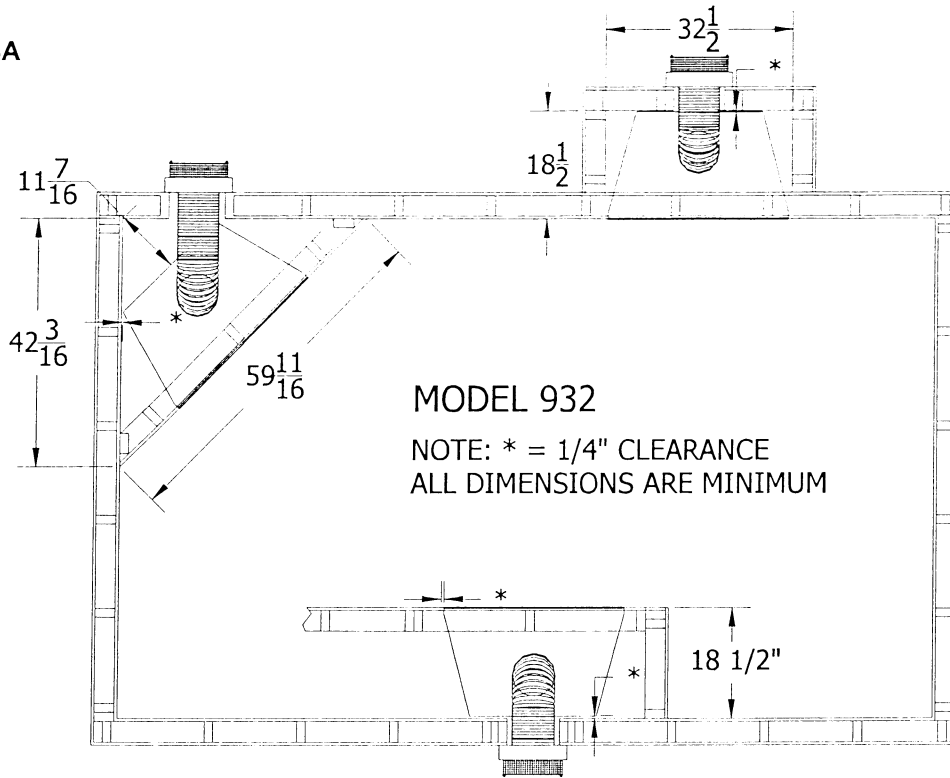
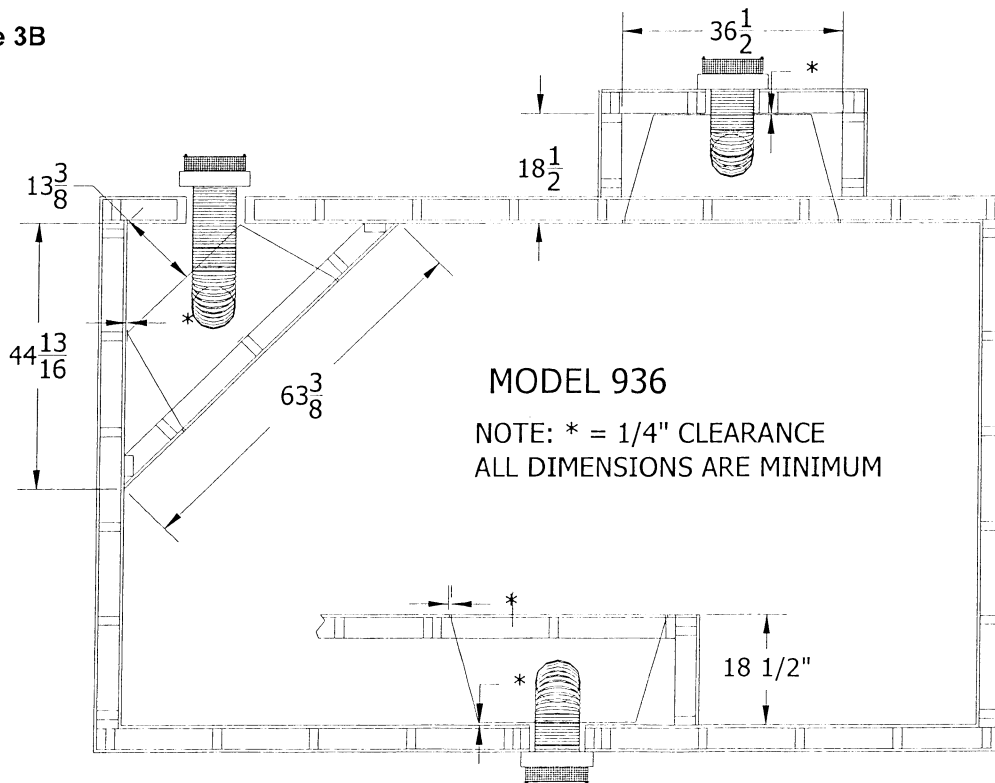


Figure 3B



5. Cut a hole for the firestop, 9 1/2" x 9 1/2".

The top of this hole must be a minimum of:

- 42 1/2" * (A) - Model #932 DV

- 49 1/2" * (A) - Model #936 DV

above the height of the hearth (optional).

See Figure 4A.

***Important:** This measurement is determined by the vertical height and horizontal length of the venting application desired. The measurement is to the top of the pipe. Please refer to pages #7 & #8 of this installation manual for requirements and restrictions.

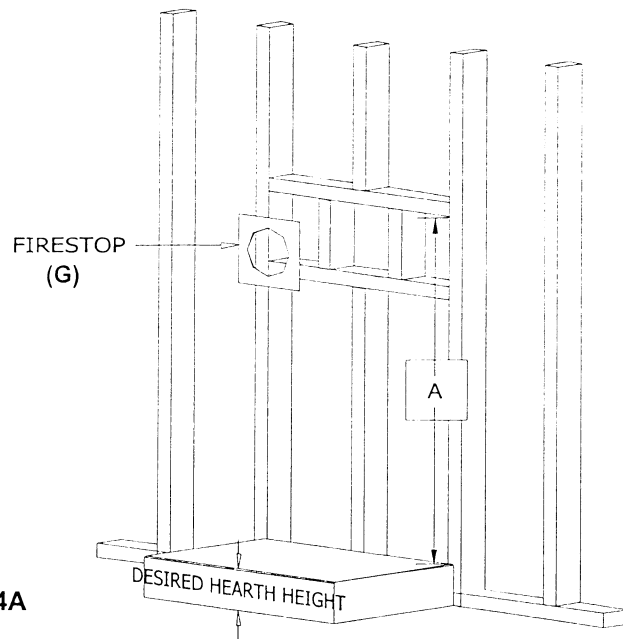


Fig. 4A

6. Rough in the wall enclosure. The minimum rough opening dimensions are:

Model #932 DV: 25 1/4" high (A)
32 1/2" wide (B)
18 1/2" deep

Model #936 DV: 32 1/4" high (A)
36 1/2" wide (B)
18 1/2" deep

Build the hearth to the desired size, and height. See Fig. 4B.

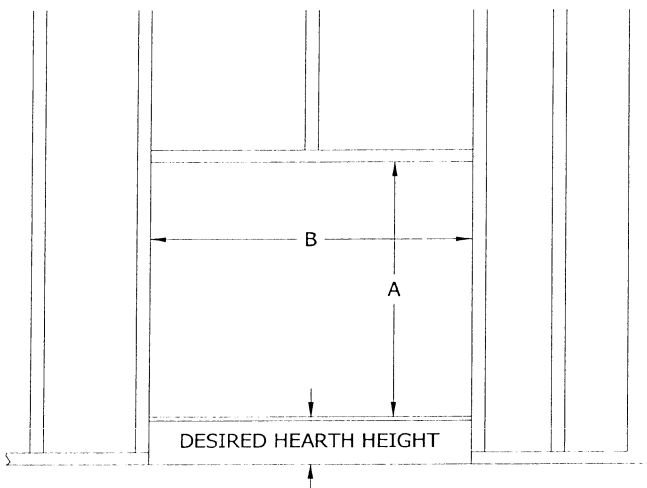


Figure 4B

NOTE: When the unit is installed directly on carpeting, tile, or other combustible materials other than wood flooring, it must be installed on a metal or wood panel extending the full width and depth of the unit. The minimum for the support platform under the unit is: **Model #932 DV:** 18 1/4" deep by 32" wide **Model #936 DV:** 18 1/4" deep by 36" wide. If masonry is to be used (optional), prepare the necessary foundation for the masonry load. When masonry construction is being used, a lintel must be used over the top of the unit to support the added weight.

NOTE: A non-combustible hearth extension is not required. If a hearth extension is desired, combustible materials may be used.

NOTE: Provide for a minimum of 6" of clearance in front of the lower grill. This will provide adequate space to open the lower grill and operate the controls.

Do not obstruct the upper and lower grill areas to allow proper ventilation air around the unit. Air enters the unit at the lower grill, and exits at the upper grill. Blocking these passages may result in overheating the fireplace creating a potentially hazardous situation.

5. Place the unit into position.

C) VENTING REQUIREMENTS

IMPORTANT: MODELS #932 DV & #936 DV ARE APPROVED FOR USE ONLY WITH THE FOLLOWING DIRECT VENT SYSTEMS:

HORIZONTAL TERMINATIONS

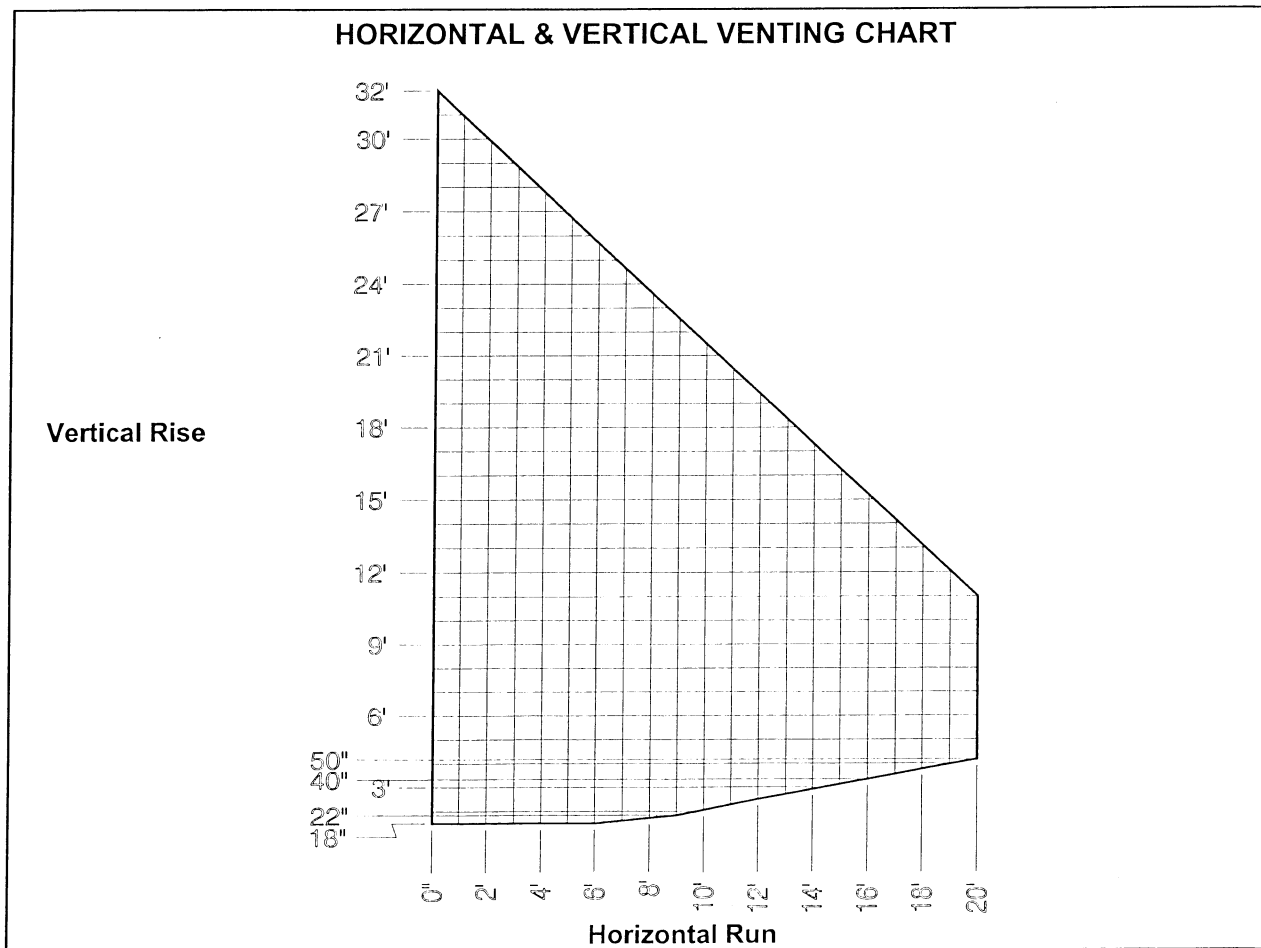
#700 SERIES DIRECT VENT TERMINATION KITS:

- #745 KOZY HEAT DIRECT VENT KIT - For terminations of 4' or less.
- #718 KOZY HEAT DIRECT VENT KIT - For terminations greater than 4' but less than 8'.
- #746 KOZY HEAT DIRECT VENT EXTENSION KIT - Used to extend the #745 or #718 kit an additional 6'. Used for horizontal terminations.

VERTICAL TERMINATIONS

-SIMPSON DURA-VENT DV-GS DIRECT VENT CHIMNEY SYSTEM (4" x 6 5/8").

- Used for vertical terminations only.
- Adaptor #923-C is required to adapt the flue collars on the unit to the Dura-Vent chimney system.
- Vent runs must be in compliance as outlined below.
- 45° elbows only - **Follow installation instructions included with the #923-C adaptor & chimney system.**



TERMINATION VENT CAP LOCATION

This gas appliance must not be connected to a chimney flue serving another type of appliance.

GENERAL:

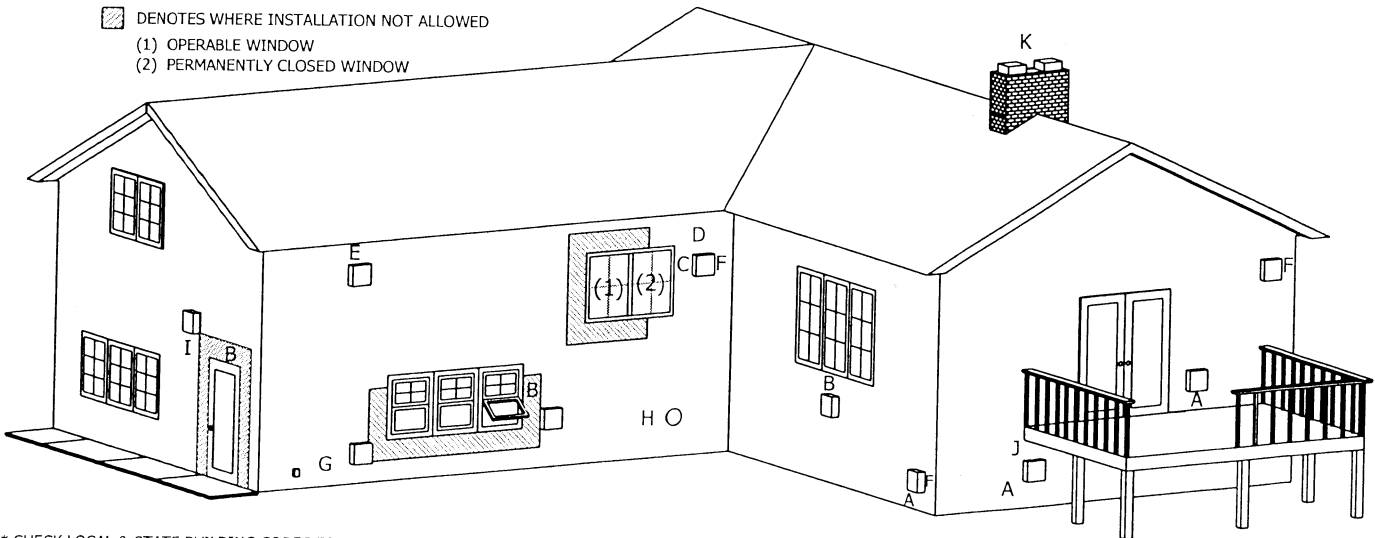
1. Terminations against vinyl siding must use a vinyl siding protector. Follow instructions included.
2. **DO NOT RECESS TERMINATION KIT INTO OUTSIDE BUILDING MATERIALS** - i.e.: brick, stone, etc.. If necessary, extend framing so that termination kit will be exposed once building materials are installed.
3. Vent termination must not be located where it will become plugged by snow or other material. The flow of combustion and ventilation air must be not obstructed.

LOCATION CLEARANCES:

- Above grade, veranda, porch, deck, balcony - 12". (A)
- Operable window - 12" (B)
- Permanently closed window - 12" (recommended to prevent condensation on window. (C)
- Ventilated soffit - 24" (D)
- Unventilated soffit - 12" (E)
- Outside / inside corner - 12" (F)
- Meter / Regulator: not to be installed above within 3 ft. horizontally from the center line of the regulator.
- Service regulator vent outlet - 6 ft. radius
- Electrical box - 3 ft. (G) **DO NOT INSTALL ABOVE AN ELECTRICAL BOX!** Non-mechanical air supply inlet to building - 12"
- Combustion air inlet to any other appliance - 12"
- Mechanical air supply inlet - 6 ft. (H)
- Above furnace exhaust or inlet - 12"
- Above paved side-walk or paved driveway located on public property - 7 ft. * (I)
- Under veranda, porch, deck, or balcony (must be fully opened on a min. of 2 sides) - 12" (J)
- Between two horizontal terminations - 12"
- Between two vertical terminations - 12" (K) - Note: May be the same height.

* A vent cannot be located directly above a side-walk or paved driveway that is located between two single family dwelling and serves both dwellings.

Figure 5



* CHECK LOCAL & STATE BUILDING CODES FOR ADDITIONAL REQUIREMENTS AND/OR RESTRICTIONS.

HORIZONTAL VENTING REQUIREMENTS

MINIMUM VERTICAL RISE* FROM TOP OF UNIT: 18 IN. (to top of 7" pipe)
 MINIMUM HORIZONTAL RUN: 6 IN.
 MAXIMUM HORIZONTAL RUN: 20 FT. (Horizontal runs must maintain 1/4" rise per ft.)

TOTAL HORIZONTAL & VERTICAL RUN MUST NOT EXCEED 32 FT.

*Minimum vertical rise directly off the top of the unit is determined by the length of the horizontal run. Refer to the venting diagram on page 7.

ELBOWS: For each additional elbow used after the first elbow, you must subtract 5 ft. from the maximum horizontal run allowed.

For example: A vertical rise of 18" directly off the top of the unit with a 90° elbow would be allowed to run 6' with 1/4" rise per ft.. If an additional elbow is used within this vent run, the maximum horizontal run allowed would be 1' with 1/4" rise per ft.. (6 ft - 5 ft. (for additional elbow) = 1 ft.)

VERTICAL VENTING REQUIREMENTS

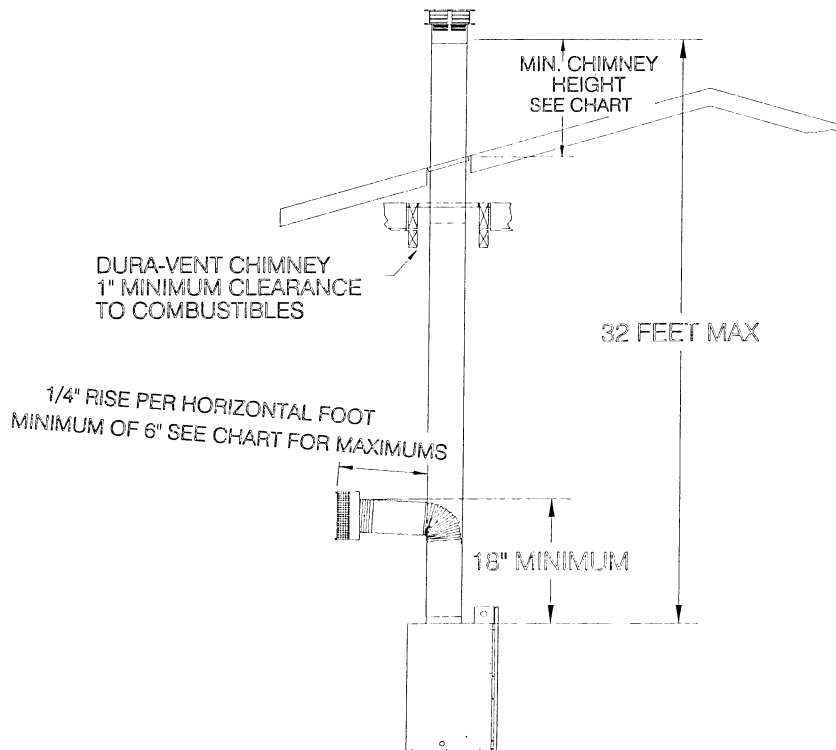
NOTE: MINIMUM VERTICAL RISE FROM TOP OF UNIT: 18 IN. (to top of 7" pipe)
 MAXIMUM VERTICAL RISE FROM TOP OF UNIT: 32 FT.
 ELBOWS: 45° only (Dura-Vent chimney systems)

MINIMUM CLEARANCE TO COMBUSTIBLES: 1"

WHEN VERTICALLY TERMINATING, THE MINIMUM CHIMNEY HEIGHT ABOVE THE ROOFLINE IS DETERMINED BY THE FOLLOWING CHART:

<u>Roof Pitch</u>	<u>Minimum Chimney Height</u>	<u>Roof Pitch</u>	<u>Minimum Chimney Height</u>
Flat to 6/12	1 ft.	13/12 to 16/12	6 ft.
6/12 to 9/12	2 ft.	17/12 to 21/12	8 ft.
10/12 to 12/12	4 ft.		

Figure 6



INSTALLATION OF THE #700 SERIES HORIZONTAL DIRECT VENT TERMINATION KIT(S).

NOTE: #700 Series vent kits must be supported every 3 ft. to maintain proper rise.

The flex pipe is permanently attached to the exterior wall plate. Do not attach the #745 or #718 termination kit to the stove (or extension kit) until it has passed through the wall. The termination plates should all be installed on the exterior of the outside wall.

1. If your chimney termination is 8' or less from the stove top and doesn't require an extension kit, proceed to step number 6.
2. If your chimney termination will require one or more extension kits (part #746), proceed with the following steps. Each #746 extension kit contains enough 4" & 7" flexible aluminum pipe to extend the chimney an additional 6'.
3. Using your extension kit pieces, place a bead of sealant outside the 4" flex pipe collar (C) - the end with the **EXTERNAL** notches - and slide it inside the 4" pipe on top of the stove (D). This is a snap lock connection. Secure with 3 evenly spaced screws.

NOTE: The snap lock connection is permanent, you will not be able to remove this pipe once applied without damage.

4. Place a bead of sealant outside the 7" flex pipe collar (E) - the end with the **EXTERNAL** notches - and slide it inside the 7" pipe on top of the stove (F). This is a snap lock connection. Secure with 3 evenly placed screws.
5. If additional extension kits are being used, repeat steps 3 and 4, placing the 4" & 7" pipes onto the previous extension kit.

Referring to figure 7:

6. Apply a liberal bead of exterior sealant around the outer edge of the termination kit box (A), and, from the outside, place the exterior wall assembly through the 9 1/2" square hole. Place screws through the four holes (B) securing it in place.

NOTE: Attachment brackets are included with the termination kit. These optional brackets should be screwed, or nailed (screws not provided) onto the top and bottom of the 9 1/2" square hole, on the exterior of the house. The termination plates then fit in between these brackets, and using the screws provided, screw the brackets to the termination kit box (A). Attach the vinyl siding protector.

- 7a. **OPTIONAL:** Place insulation between the 7" pipe and the wall studs.

- 7b. The flexible termination kit includes an interior firestop assembly (G) shown on figure 4A, page 6, which is installed on the inside wall (over wall materials), around the flexible pipe. Slide the firestop over the flex pipe with the spacer legs toward the wall. **OPTIONAL: Apply a liberal bead of sealant around the outside / wallside edge and place over the 9 1/2" square opening.**

- 7c. Secure each corner with a drywall screw.

8. Gently pull the 4" & 7" flexible aluminum down to the top of the extension kit, or the top of the unit if no extension kits were used.

9. Place a bead of sealant outside the 4" flex pipe collar (C) and slide it inside the 4" pipe on top of the stove (D). This is a snap lock connection. Secure with 3 evenly spaced screws.

NOTE: The snap lock is permanent, you will not be able to remove this pipe once applied without damage.

10. Place a bead of sealant outside the 7" flex pipe collar (E) and slide it inside the 7" pipe on top of the stove (F). This is a snap lock connection. Secure with 3 evenly spaced screws.

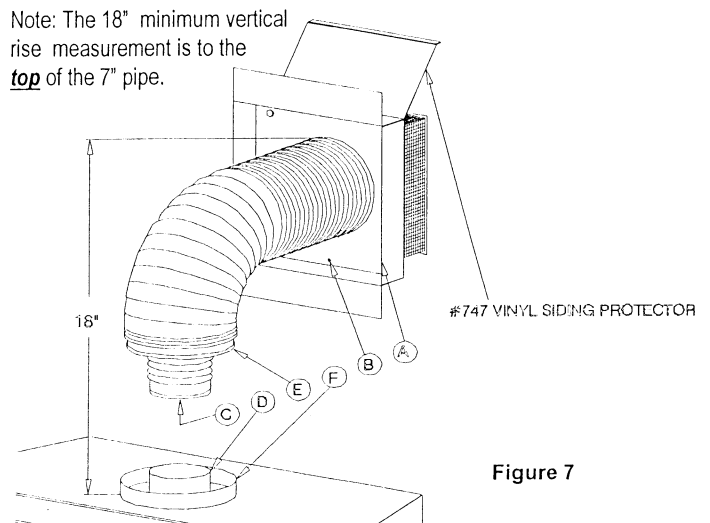


Figure 7

D) FAN INSTALLATION

INSTALLATION OF THIS FAN SHOULD BE DONE ONLY BY A QUALIFIED INSTALLER

IMPORTANT: IF A FAN IS GOING TO BE INSTALLED, IT MUST BE COMPLETED BEFORE THE MILLIVOLT BOARD IS CONNECTED TO THE GAS LINE.

NOTE: If a fan is going to be installed, the wiring must be done prior to enclosing the sides of the unit. An electrical box is pre-installed in the fireplace and a receptacle & cover is included in the fireplace components packet.

IMPORTANT: THE LOWER GRILL MUST BE REMOVED TO PROPERLY INSTALL THIS FAN.

This optional fan kit #932-028 (Model #932) or #600-1 (Model #936) includes:

1. Right and left fan assemblies with fans and magnetic limit switch already mounted.
2. Components Package: Includes speed control with mounting bracket, nut & knob*, (4) nuts, installation instructions.

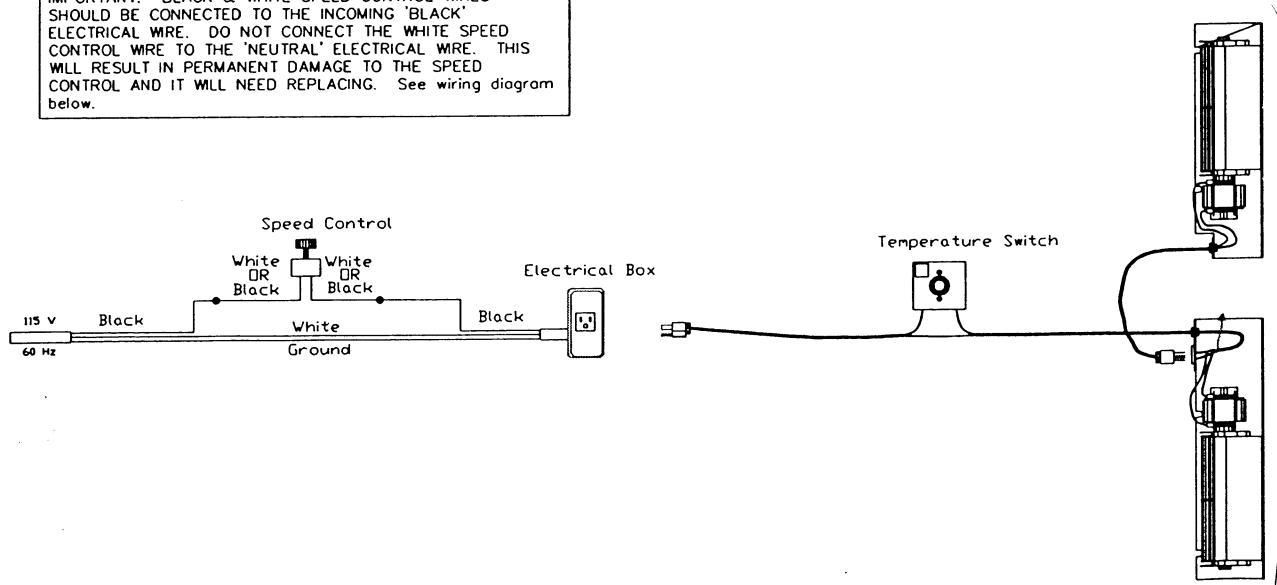
***NOTE:** To wall-mount the speed control, you will need to purchase: (1) Electrical box
(1) Cover / switch plate

MODEL #936 DV: To mount the speed control on the dashboard panel behind the lower grill, you will need part #600-087, which includes a speed control assembly and mounting bracket. Follow instructions included to properly mount this optional assembly.

NOTE: Code approved line voltage wiring 16 gauge or better must be used when wiring this system.

WARNING: This appliance is equipped with a three-prong (grounding) plug for protection against shock hazard and should be plugged directly into a properly grounded three-prong receptacle. Do not cut or remove the grounding prong from this plug.

IMPORTANT: BLACK & WHITE SPEED CONTROL WIRES SHOULD BE CONNECTED TO THE INCOMING 'BLACK' ELECTRICAL WIRE. DO NOT CONNECT THE WHITE SPEED CONTROL WIRE TO THE 'NEUTRAL' ELECTRICAL WIRE. THIS WILL RESULT IN PERMANENT DAMAGE TO THE SPEED CONTROL AND IT WILL NEED REPLACING. See wiring diagram below.



INSTALLATION INSTRUCTIONS. REFER TO THE FIGURE BELOW.

1. Slide the left fan (without receptacle) through the lower grill opening (rt. side of the valve) and place over the (2) left mounting studs (B) located towards the back of the unit.
2. Slide the right fan (with receptacle) (A) through the lower grill opening (rt. side of the valve) and place over the (2) right side mounting studs (B) located towards the back of the unit.
3. Place nuts on mounting studs and tighten.
4. Plug fans together by inserting the three-prong fan cord on the left fan assembly into the receptacle in the right fan assembly.
5. Install electrical box and mount the speed control on a wall, if desired.
6. Snap the receptacle into the cover (included with the fireplace components packet).
7. Insert 115V wiring (with ground) through the romex connector installed in the electrical box in the side of the unit and wire to the receptacle.
8. Place the cover on the electrical box (in the side of the unit) and secure with screws.
9. Place the magnetic limit switch (C) on the bottom of the unit, as close to the center as possible.
10. Plug cord (D) into receptacle in the electrical box.
11. Turn on/off speed control clockwise until it clicks.

NOTE: The fan will not operate unless the speed control has been turned on. Adjust fan to desired speed while it is running.

NOTE: The fan will not turn 'on' until sufficient heat is applied to the limit switch (C). The fan will turn 'on' and 'off' automatically when the fireplace heats and cools.

NOTE: This system, when installed, must be electrically grounded in accordance with local codes, or in the absence of local codes, with the National Electrical Code, ANSI/NFPA 70-Current edition.

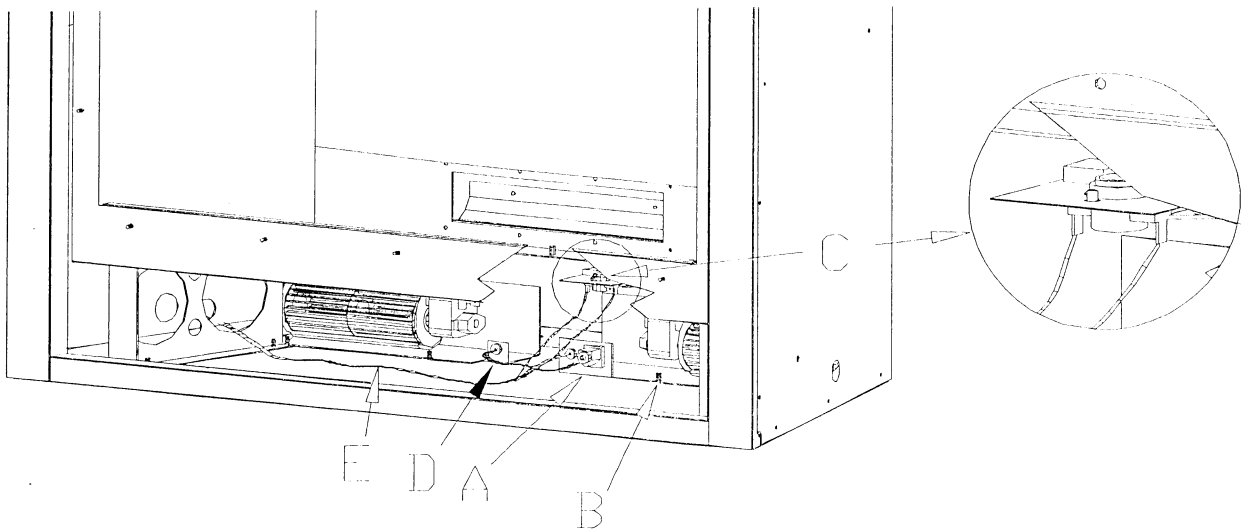


Figure 8

E) RUN THE GAS LINE.

CAUTION: Installation of the gas line must only be done by a qualified person in accordance with local building codes.

GAS CONVERSIONS:

If a gas conversion is necessary, one of the following conversion kits must be used:

MODEL #932

Natural Gas Conversion Kit #OCK-338 - used to convert an LP millivolt board to Natural Gas.

LP Gas Conversion Kit #OCK-353 - used to convert a Natural Gas millivolt board to LP Gas.

MODEL #936

Natural Gas Conversion Kit #OCK-331 - used to convert an LP millivolt board to Natural Gas.

LP Gas Conversion Kit #OCK-351 - used to convert a Natural Gas millivolt board to LP Gas.

NOTE: This unit is equipped with a flexible gas connector and manual shut off valve.

NOTE: The gas line should be run to the point of connection where the shut-off valve and flexible gas line will connect.

CAUTION: The manual shut-off valve or flexible gas tubing must not extend outside of the unit cavity. See the WARNING label affixed to the flexible tubing for additional installation instructions and warnings.

NATURAL GAS: The minimum inlet gas supply pressure: 7.0 inches W.C. (recommended)

The maximum inlet gas supply pressure: 10.5 inches W.C.

Manifold pressure: 3.5 inches W.C.

Manifold pressure (lo setting): 1.7 inches W.C.

Model #932 - Orifice size: 38 Input: 26,000 BTU's Efficiency: 71.2% AFUE: 64%

Model #936 - Orifice size: 31 Input: 36,000 BTU's Efficiency: 74% AFUE: 67%

LP GAS: The minimum inlet gas supply pressure: 11.0 inches W.C. (recommended)

The maximum inlet gas supply pressure: 13.0 inches W.C.

Manifold Pressure: 10.0 inches W.C.

Manifold Pressure (lo setting): 5.4 inches W.C.

Model #932 - Orifice size: 53 Input: 26, 000 BTU's Efficiency: 73% AFUE: 66.7%

Model #936 - Orifice size: 51 Input: 35,000 BTU'S Efficiency: 73% AFUE: 68%

The efficiency rating of this appliance is a product thermal efficiency rating determined under continuous operating conditions and was determined independently of any installed system.

NOTE: For high altitude installations consult the local gas distributor or the authority having jurisdiction for proper rating methods.

1. Run the gas line. An accessible shut off valve must be installed up stream from the regulator.
NOTE: Do not run the incoming gas line in a manner that would obstruct the operation of the fan.
2. This unit is designed to accept either a 3/8" or 1/2" gas line approved for gas appliances. Consult local building codes to properly size the gas supply line leading to a 3/8" reduction.
3. A gas line access hole is located on either side of the unit for gas line connection.
4. Connect the gas line to the manual shut-off valve.
5. Connect the flexible gas line (installed on the millivolt board valve) to the manual shut off valve.

**IMPORTANT:
ALL CONNECTIONS WHETHER FIELD OR FACTORY MADE MUST BE CHECKED FOR
LEAKS!**

NOTE: The appliance and its individual shutoff valve must be disconnected from the gas supply piping system during any pressure testing of that system at test pressures in excess of ½ psi.

NOTE: The appliance must be isolated from the gas supply piping system by closing its individual manual shutoff valve during any pressure testing of the gas supply piping system at test pressures equal to or less than ½ psi.

Pressure check taps for both the manifold (outgoing) & inlet (incoming) pressures are located in front of the gas valve. The top pressure tap is the manifold pressure and the bottom pressure tap is the incoming pressure. Follow instructions on page #23 for checking these pressures.

F) SECURE THE MILLIVOLT BOARD. See Figures 10A - 10C.

NOTE: The unit is equipped with the millivolt board & burner/cover assembly already installed. Ensure that all of the nuts are tightened, securing the board to firebox and the burner cover is properly secured. Follow these procedures in the event this assembly needs to be removed for service and/or maintenance.

MILLIVOLT BOARD REMOVAL. See figures 10A & 10B

1. Turn the control knob to "OFF".
2. Remove the upper grill, glass assembly, logs and burning embers.
3. Shut off the gas supply at the manual shut-off valve.
4. Disconnect gas line flex tube from the manual shut-off valve.
5. **MODEL #936 DV:** Remove the speed control and/or remote control receiver assembly from the dashboard panel, if installed, and remove the dashboard panel.
6. Disconnect any wall switch, remote control or thermostat wire from the valve.
7. **MODEL #936 DV:** Loosen and remove the (2) nuts securing the burner cover, fig. 10A.
8. Remove the burner cover and set aside.

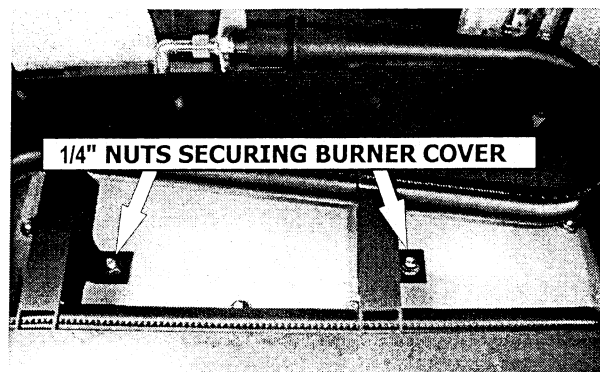
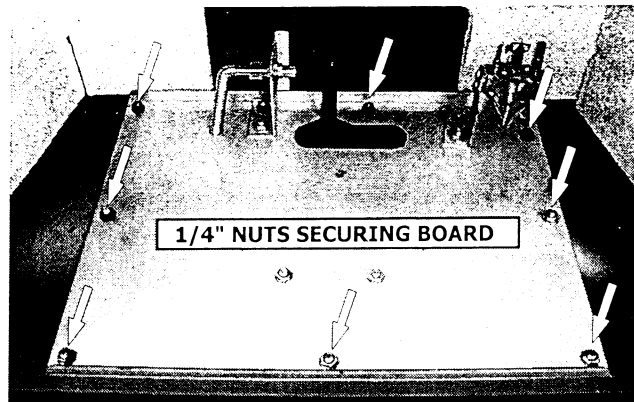


Figure 10A

- Loosen and remove the (8) 1/4" nuts and, while grasping the board, gently lift it off the (8) bolts and remove from the firebox.

Figure 10B



INSTALLING THE BOARD.

NOTE: This fireplace is fitted with a gasket to seal the millivolt board to the firebox. Make certain this gasket is properly placed around the opening before installing the millivolt board.

- Grasp the board with both hands and place into the unit, lining up the eight 1/4" holes in the board to the (8) mounting studs on the firebox bottom.

CAUTION: Before securing the board into place make sure that all of the wires (attached under the board) are clear and unobstructed.

- Attach the 1/4" nuts (included with the board assembly) and tighten.
- MODEL #932 DV:** Replace the burner cover assembly, properly seating the burner tube over the orifice. The burner cover should be 'inside' the flanges on the board.
MODEL #936 DV: Replace the burner cover assembly, properly seating the burner tube over the orifice and aligning the mounting holes in the burner brackets to the corresponding mounting studs on the bottom of the millivolt board.

IMPORTANT: Ensure that the burner tube is properly seated over the burner orifice.

- MODEL #936 DV:** Secure burner cover with the remaining (2) nuts previously removed.
- MODEL #936 DV:** To position the adjustable venturi collar into its mounting bracket, gently push the bracket back far enough to slip the flange on the collar into the slot on the bracket. Figure 10C.
- Reconnect the flexible gas line to the manual shut-off valve.
- Reconnect any wall switch, thermostat or remote control wires to the valve terminals.
- MODEL #936 DV:** Attach & secure the dashboard panel. Attach speed control assembly and/or remote receiver assembly to the dashboard panel, if used.
- Replace the logs and embers as described in section 'G'.
- Light the pilot and burner to ensure proper ignition and operation.
- Replace the glass assembly and upper grill.

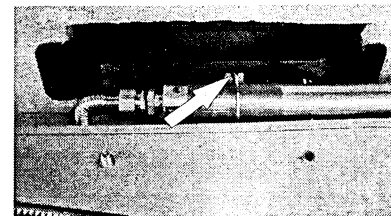


FIGURE 10C

IMPORTANT: CHECK ALL CONNECTIONS WHETHER FIELD OR FACTORY MADE FOR LEAKS.

G) #932 DV LOG INSTALLATION. See Figures 11A - 11C

This #932-500A log set includes:

(1) 'AD' log	(1) 'BI' log	(1) 'AJ' log
(1) 'AG' log	(2) 'M' logs	(1) 'C' log
(1) 'HA' log		

NOTE: THE 'AD', 'AG', & 'HA' LOGS HAVE ALIGNMENT HOLES INCORPORATED INTO THE BOTTOM AND SHOULD BE PLACED ONTO THE CORRESPONDING PINS IN THE BURNER COVER. THE 'BI' LOG IS NOTCHED AND SHOULD BE POSITIONED ONTO THE BURNER COVER PLACING THE NOTCHED OUT SECTIONS IN THE LOG TO THE BRACKETS IN THE CENTER OF THE BURNER COVER.

1. Place the 'BI' log onto the center of the burner cover aligning the notches in the bottom of the log to the brackets in the burner cover. Figure 11A.

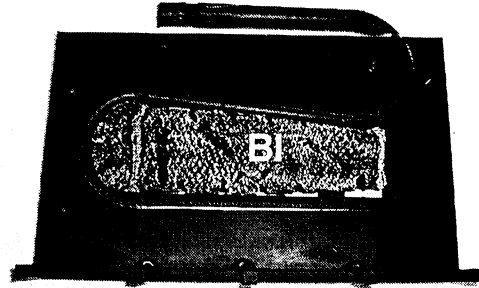


FIGURE 11A

2. Place the 'AD', 'AG', 'HA' & 'AJ' logs into position on the burner cover aligning the holes in the bottom of the logs to the corresponding pins in the burner cover. Figure 11B.

IMPORTANT: DO NOT ALLOW ANY PORTION OF THE LOGS TO COVER THE BURNER PORTS.

Place the burner embers between the 'AJ' log and 'BI' following instructions included with the embers.

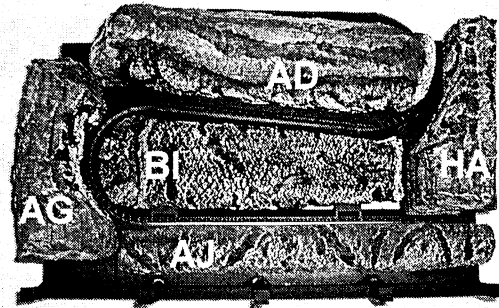


FIGURE 11B

3. Position top logs 'M' and 'C' onto the previously positioned logs as shown in figure 11C.

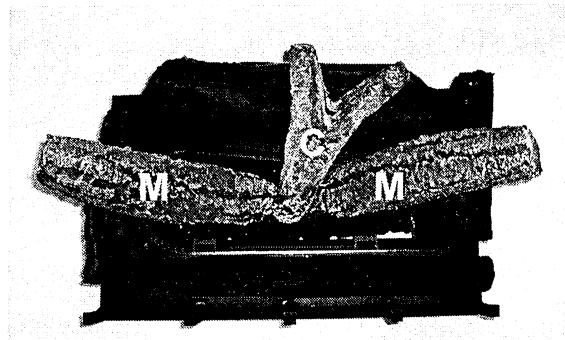


FIGURE 11C

INITIAL BURN PERIOD

Due to the makeup of the logs & refractory brick panels, the curing process may take up to 4 hours of burn time. During this period, the logs and refractory will discolor but will return to their true color once the curing process is complete. Do not burn this fireplace without the glass properly in place.

MAKE SURE THE HOMEOWNER IS AWARE OF THIS

#936 DV LOG INSTALLATION. See Figures 11D -11F.

This #936-50C log set includes:

(1) HA-Log	(1) AP-Log	(1) JA-Log
(1) AC - Log	(1) C - Log	(1) L - Log
(1) AO - Log	(1) N - Log	

NOTE:

THE 'N', 'L', AND 'HA' HAVE ALIGNMENT HOLES INCORPORATED INTO THE BOTTOM AND SHOULD BE PLACED ONTO THE CORRESPONDING PINS IN THE BURNER COVER. THE 'JA' LOG IS NOTCHED AND SHOULD BE POSITIONED ONTO THE BURNER COVER PLACING THE NOTCHED OUT SECTIONS IN THE LOG TO THE BRACKETS IN THE CENTER OF THE BURNER COVER.

1. Position the 'JA' log onto the center of the burner cover aligning the notches in the bottom of the log to the brackets in the burner cover. Figure 11D.

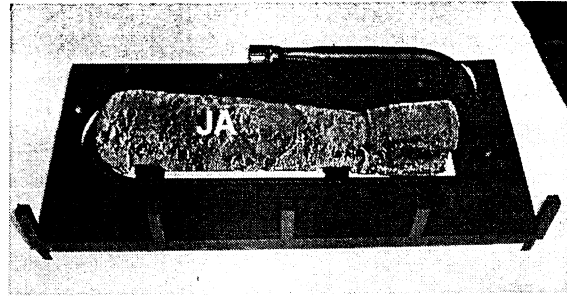


FIGURE 11D

2. Place the 'N', 'L', 'HA', and 'AC' logs into position on the burner cover aligning the holes in the bottom of the logs to the corresponding pins in the burner cover. Fig. 11E

Place the burning embers, included with the fireplace, between the 'JA' log and 'AC' log following instructions included with the embers.

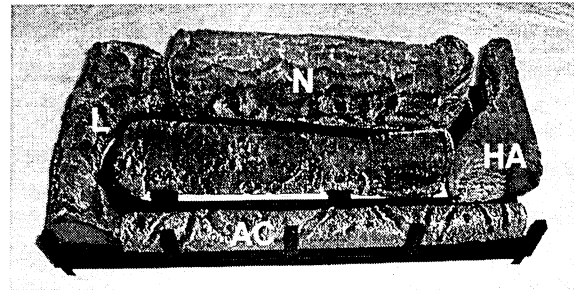


FIGURE 11E

3. Position top logs 'AO', 'C', and 'AP' onto the previously positioned logs as shown in figure 11F.

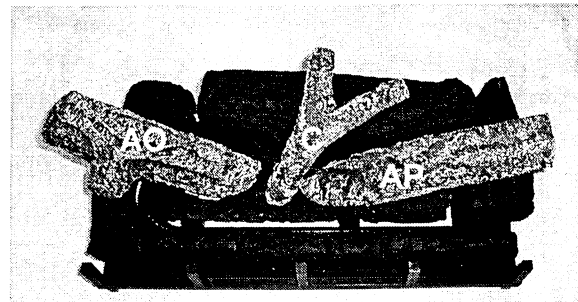


FIGURE 11F

INITIAL BURN PERIOD

Due to the makeup of the logs & refractory brick panels, the curing process may take up to 4 hours of burn time. During this period, the logs and refractory will discolor but will return to their true color once the curing process is complete. Do not burn this fireplace without the glass properly in place.

MAKE SURE THE HOMEOWNER IS AWARE OF THIS

H) THERMOSTAT - WALL SWITCH - REMOTE INSTALLATION (optional).

CAUTION: DO NOT connect high voltage (115 V) wire to the switch.

If desired, a thermostat, wall switch or remote control unit may be used to turn the unit off and on. **Only one of these may be installed.** Follow instructions included with each kit.

IMPORTANT: IF THE DASHBOARD PANEL HAS BEEN ATTACHED TO THE VALVE BRACKET, IT MUST BE REMOVED TO EXPOSE THE WIRE CONNECTIONS ON THE VALVE TERMINAL.

OPTIONAL: Disconnect the on/off rocker switch wires from the top & bottom terminals on the gas valve.

REMOTE CONTROL USERS - Model #936 DV: An optional remote control receiver bracket, part #791-2, is available to mount the receiver onto the right side of the dashboard panel behind the lower grill. For additional information or to purchase this kit, please contact your dealer.

NOTE: INSTALLATION OF A THERMOSTAT OR WALL SWITCH SHOULD ONLY BE DONE BY A QUALIFIED INSTALLER

WALL SWITCH / THERMOSTAT USERS:

Run **low-voltage** (thermostat) wire from the gas valve terminals behind the lower grill to the desired location of the thermostat or wall switch.

Do not run wire more than 30'. **NOTE:** If too heavy of wire is used or run more than 30', the electricity generated by the unit's generator will not be sufficient to make the regulator work properly.

IMPORTANT: No high voltage (115v) is required to operate any of these systems.

Attach the appropriate connector to each wall switch / thermostat wire and connect to the top and bottom terminals on the gas valve.

Thermostat Wiring Diagram

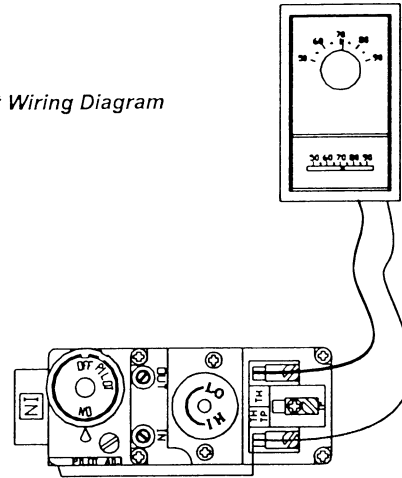


Figure 12A

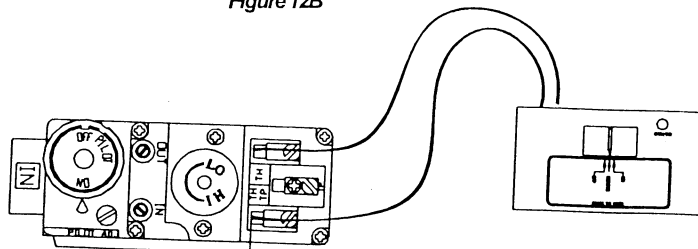
The on/off rocker switch on the millivolt board must be in the 'off' position for proper operation of these components.

If the rocker switch is 'on', the fireplace burner will operate until it is turned 'off' by the rocker switch. A wall switch, thermostat, or remote control will not turn the fireplace 'off' when it has been turned 'on' by the rocker switch.

Note: The fireplace must be turned 'on' and 'off' by the same method. For example: If the fireplace is turned 'on' by the remote, it must be turned 'off' by the remote.

Remote Control Wiring Diagram

Figure 12B



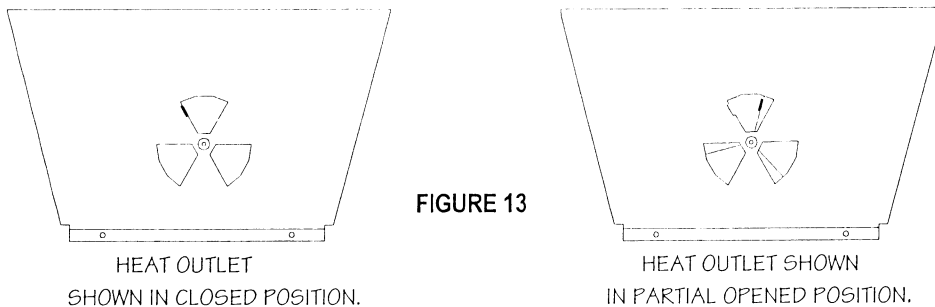
I) COMPLETE THE INSTALLATION

1. Complete the fireplace walls, and the unit facing.

CAUTION: THE SURROUNDING WOOD CHASE OF THE OUTSIDE WALL MUST BE INSULATED TO PREVENT COLD AIR FROM ENTERING THE ROOM.

2. **Seasonal Heat Dump:** This fireplace has been designed with an adjustable heat dump outlet located inside the fireplace (at the top). This will allow infinite control over the amount of heat emitted into the living area without affecting the flame height

INSTALLER: PLEASE INSTALL THIS FIREPLACE WITH THE ADJUSTABLE HEAT OUTLET DUMP IN ITS CLOSED POSITION. SEE FIGURE 13.



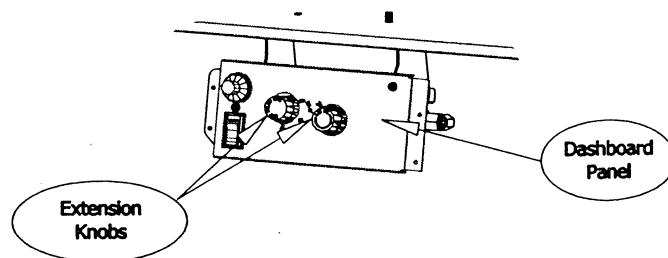
CAUTION: IF THE FIREPLACE HAS BEEN IN OPERATION, ALLOW AMPLE TIME FOR IT TO COOL BEFORE ADJUSTING THE HEAT OUTLET OPENING OR USE THE APPROPRIATE PROTECTION TO PREVENT SERIOUS BURNS.

- To adjust the heat outlet opening:**
- A. Remove the upper grill and glass assembly.
 - B. Open or close the outlet to desired position.
 - C. Replace the glass assembly and upper grill.

3. **DASHBOARD PANEL - Model #936 DV:** Attach the dashboard panel included in the components packet to the front of the gas valve behind the lower grill. This is accomplished by aligning the holes in the dashboard panel to the corresponding holes in the bracket. Secure with the (2) screws provided.

OPTIONAL: Affix the dashboard panel label to the front of the dashboard prior to attaching to the bracket.

4. **EXTENSION KNOBS - Model #936 DV:** Place the extension knobs included in the components packet through the corresponding holes in the dashboard panel and slide onto the control knobs on the gas valve, aligning the notches on the extension knobs to the notches on the control knobs.



5. **START-UP**

THIS STEP SHOULD ONLY BE DONE BY A QUALIFIED INSTALLER OR SERVICE TECHNICIAN:

- A) Perform lighting and shutdown procedures as described on page #21-#22. This should be done prior to replacing the glass so that any necessary adjustments can be made and proper operation verified.

6. **REPLACE THE GLASS.** Refer also to Figure 2, pg.4.

- A) Align the slots in the top of the glass assembly over the tabs on the fireplace.
- B) Place the glass assembly so it is flush with the front of the fireplace front.
- C) Secure the assembly to the fireplace by pushing the two spring loaded handles (located under the firebox) back, locking them into position.

WARNING: DO NOT OPERATE THIS FIREPLACE WITH THE GLASS ASSEMBLY REMOVED, CRACKED OR BROKEN. Replacement of the glass assembly should be done by a licensed or qualified service person.

7. **GRILLS**

Upper Grill - Install:

- A) Line the rods of the grill up with the upper holes.
- B) Place the rods in the holes and push up until the bottoms of the rods clear the glass frame.
- C) Place the bottom of the rods into the lower holes and release. The grill will set down into place.

Remove:

- A) Lift the upper grill up far enough to clear the bottom holes and pull bottom of grill out.

8. **Lower grill - See Figure 14**

Install:

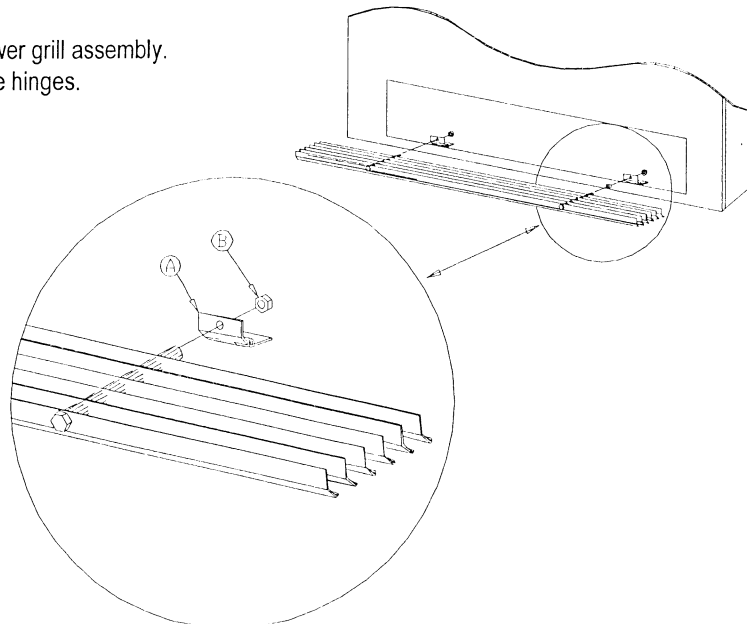
- A) Remove the 1/4" nuts (B) from the lower grill assembly.
- B) Slip the bolt through the hinge (A).
- C) Re-attach the 1/4" nut (B).
- D) Repeat "A" through "C" for the remaining hinge

The grill is now in place. The grill may be lowered for lighting purposes, etc.

Remove:

- A) Remove the 1/4" nuts (B) from the lower grill assembly.
- B) Pull the entire grill assembly out of the hinges.
- C) Re-attach the 1/4" nuts (B).

Figure 14



J) LIGHTING AND SHUTDOWN / PRESSURE TESTING

NOTE: Prior to lighting, check all fittings for leakage. This is accomplished by applying soapy water on all connections made. If there is any leakage, bubbles will appear at the point of connection. If bubbles occur, tighten the fittings until the bubbles no longer appear.

IMPORTANT: TEST ALL CONNECTIONS WHETHER FIELD OR FACTORY MADE.

NOTE: The appliance and its individual shutoff valve must be disconnected from the gas supply piping system during any pressure testing of that system at test pressures in excess of ½ psi.

NOTE: The appliance must be isolated from the gas supply piping system by closing its individual manual shut off valve during any pressure testing of the gas line at test pressures equal to or less than 1/2 psig (3.5 kPa).

Pressure check taps for the manifold (outgoing) and inlet (incoming) pressures are located in front of the gas valve. The top pressure tap is the manifold pressure and the bottom pressure tap is the incoming pressure. Follow instructions on page #23 for checking these pressures.

NOTE: Read 1-8 before lighting the unit for the first time.

1. Open the lower grill by grasping the center of the top louver, and pull out and down.
2. Set the thermostat, if used, to the lowest setting. (If installed.)
3. Turn off all electric power to the appliance. (Fan)
4. Push in control knob (A) slightly and turn clockwise ↻ to "OFF"

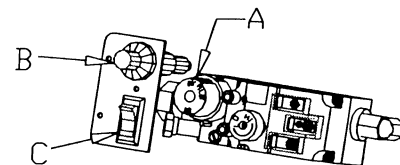
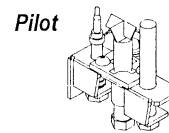


Figure 15A

NOTE: Knob cannot be turned from "PILOT" to "OFF" unless knob is pushed in slightly. Do not force.

5. Wait five (5) minutes to clear out any gas. If you then smell gas, **STOP!** Follow the safety information on page 2 of this installation manual. If you don't smell gas, go to the next step.
6. Find the pilot - follow metal tube from gas control.
The pilot is located at the back of the firebox behind the burner tube.



7. Turn the black knob (A) on gas control counterclockwise ↶ to "PILOT".
8. Push in the black control knob all the way and hold in. Press the **RED** igniter button (B). The pilot will generally light with two or three pushes on the igniter. Hold the knob in for about one (1) minute after the pilot is lit. Release knob and it will pop back out. Pilot should remain lit. If it goes out, repeat steps 4 through 8.

- * If knob does not pop out when released, stop and immediately call your service technician or gas supplier.
- * If the pilot will not stay lit after several tries, turn the gas control knob to "OFF" and call your service technician or gas supplier.

9. Turn gas control knob (A) counterclockwise ↶ to "ON".
10. Flip the ON/OFF switch (C) to the 'ON' position.

THERMOSTAT USERS: Leave the 'ON/OFF' switch in the 'OFF' position. Set thermostat to desired setting.

WALL SWITCH: If a wall switch has been installed, leave the ON/OFF switch in the 'OFF' position. Use the wall switch to turn the burner 'ON' and 'OFF'.

IMPORTANT: THE ON/OFF SWITCH MUST BE IN THE 'OFF' POSITION FOR PROPER THERMOSTAT / WALL SWITCH OPERATION.

11. Close the lower grill
12. Turn on electric power to the fireplace

NOTE: When the unit is initially lit, condensation will appear on the glass, this is normal in all gas fireplaces, and will disappear in one to three minutes.

TO TURN THE BURNER 'OFF':

13. If you wish to turn the burner 'OFF', open the lower grill to access the gas valve and depress the 'ON/OFF' switch to the 'OFF' position. Close the lower grill.

If a wall has been installed, simply turn it 'OFF'. If a thermostat has been installed, simply adjust temperature setting.

NOTE: The pilot will stay lit.

TO TURN GAS 'OFF' TO APPLIANCE':

1. Open the lower grill by grasping the center of the top louver, then pull out and down to access the gas control valve.
2. Set the thermostat to the lowest setting (If installed.)
3. Turn off all electric power to the appliance if service work is to be performed.
4. Push in control knob (A) slightly and turn clockwise to the "OFF" position. **DO NOT FORCE.**

INITIAL BURN PERIOD

AN ODOR WILL OCCUR DURING THE FIRST FEW HOURS OF BURNING. THIS IS THE PAINT CURING AND SUBSTANCES USED IN THE MANUFACTURING PROCESS. IT IS RECOMMENDED TO LEAVE THE FAN (IF INSTALLED) OFF DURING THIS PERIOD AS THIS WILL SPEED UP THE PAINT CURING PROCESS.

DUE TO THE MAKEUP OF THE LOGS & REFRACTORY, THEY WILL DISCOLOR DURING THE INITIAL BURN PERIOD. THIS MAY TAKE UP TO 4 HOURS OF BURN TIME. ONCE THE CURING PROCESS IS COMPLETE, THE TRUE COLOR WILL RETURN. DO NOT BURN THIS FIREPLACE WITHOUT THE GLASS PROPERLY IN PLACE.

****MAKE SURE THE HOMEOWNER IS AWARE OF THIS****

NOTE: THIS FIREPLACE MAY PRODUCE NOISES OF VARYING DEGREE AS IT HEATS AND COOLS DUE TO METAL EXPANSION AND CONTRACTION. THIS IS NORMAL AND DOES NOT AFFECT THE PERFORMANCE OR LONGEVITY OF THE FIREPLACE.

NOTE: Children and adults should be alerted to the hazards of high surface temperature and should stay away to avoid burns or clothing ignition. Young children should be carefully supervised when they are in the same room as the appliance.

Clothing or other flammable material should not be placed on or near the appliance.

PRESSURE TESTING MANIFOLD & INLET PRESSURE

IMPORTANT NOTICE: A pressure check tap for both the manifold (outgoing) and inlet (incoming) pressure has been incorporated into the valve by Robertshaw. The top pressure tap is the manifold pressure and the bottom pressure tap measures the incoming pressure. Follow the instructions below for proper pressure testing procedures.

IMPORTANT: THE DASHBOARD PANEL MUST BE REMOVED TO EXPOSE THE PRESSURE TAPS. LOOSEN AND REMOVE THE (2) SCREWS SECURING THE PANEL, REMOVE AND SET ASIDE.

TO CHECK THE MANIFOLD PRESSURE:

1. Light pilot .
2. Loosen the manifold pressure tap [D] by turning the screw counter-clockwise.
3. Attach manometer to pressure tap using a 5/16" I.D. hose [F].
4. Turn black control knob [A] to the 'on' position.
5. Turn the burner on by depressing the rocker switch [B] to expose the 'red' and note manometer reading.
6. Turn the rocker switch [C] to the 'off' position.
7. Disconnect manometer hose and tighten screw (clockwise).
Screw should be snug, do not over tighten.
8. Attach manometer to manifold pressure tap to verify that it is completely sealed.
Manometer should read no pressure when the rocker switch is turned on..

NOTE: If manifold pressure reading is within the normal range, an incoming pressure check is not necessary. A too high or too low pressure reading warrants an inlet (incoming) gas pressure check.

TO CHECK THE INLET PRESSURE:

1. Loosen Inlet pressure tap screw [E] by turning screw counter-clockwise.
2. Attach manometer using a 5/16" I.D. hose [F].
3. Light the pilot.
4. Turn the black control knob [A] to the 'on' position. (Burner should not come on) and note manometer reading.
5. Turn the rocker switch [B] to the 'on' position and check the pressure to ensure that it stays near the maximum inlet pressure.
6. Turn the rocker switch [C] to the 'off' position.
7. Turn the pilot to the 'off' position.
8. Disconnect hose and tighten screw (clockwise). Screw should be snug, do not over tighten.
9. Relight pilot and turn the control knob [A] to the 'on' position. Attach manometer to the inlet pressure tap to verify that it is completely sealed. Manometer should read no pressure.

NOTE: If Inlet pressure reading is too high or too low, contact the gas company. Only a qualified gas service technician should adjust the incoming gas pressure.

CAUTION: A LOW PRESSURE READING CAN CAUSE DELAYED IGNITION.

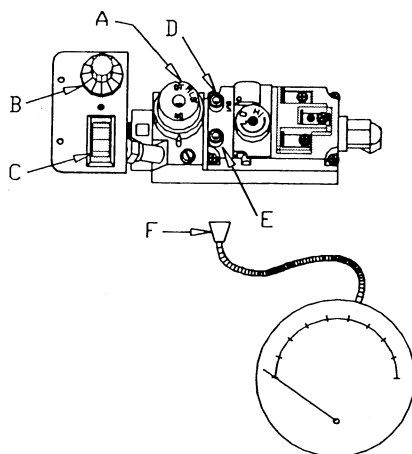


FIGURE 15B

K) MAINTENANCE REQUIREMENTS

1. The appliance should be inspected at least once a year by a professional service person.

NOTE: INSTALLATION AND REPAIR SHOULD BE DONE ONLY BY A QUALIFIED SERVICE PERSON. THE APPLIANCE SHOULD BE INSPECTED BEFORE USE AND AT LEAST ANNUALLY BY A QUALIFIED SERVICE PERSON. MORE FREQUENT CLEANING MAY BE REQUIRED DUE TO EXCESSIVE LINT FROM CARPETING, BEDDING MATERIALS, ETC. IT IS IMPERATIVE THAT CONTROL COMPARTMENTS, BURNERS AND CIRCULATION AIR PASSAGEWAYS OF THE APPLIANCE BE KEPT CLEAN.

2. The compartment below the firebox (behind the lower grill) must be cleaned at least once a year, more frequent cleaning may be required due to excessive lint from carpeting, bedding materials, or other fibrous materials. It is imperative that the burner be cleaned once a year.

FAN

The fan should be disconnected from electrical current, and cleaned (vacuumed) every six months. The bearings are sealed and require no oiling.

VENT SYSTEM

Annual examination of the venting system by a qualified agency is required.

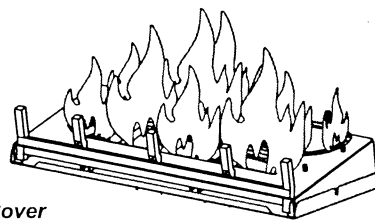
1. Remove the glass on the front of the unit.
2. For easier access, remove the logs.
3. Cover the millivolt board system.
4. Loosen the nuts securing the baffle at the back of the firebox and remove the baffle.
5. Examine proper sealing of the vent system.
6. Replace the baffle and secure the nuts.
7. Replace the logs, glass and upper grill.

IMPORTANT: ANY SAFETY SCREEN OR GUARD REMOVED FOR SERVICING MUST BE REPLACED PRIOR TO OPERATING THE APPLIANCE.

CAUTION: LABEL ALL WIRES PRIOR TO DISCONNECTION WHEN SERVICING CONTROLS. WIRING ERRORS CAN CAUSE IMPROPER AND DANGEROUS OPERATION. VERIFY PROPER OPERATION AFTER SERVICING.

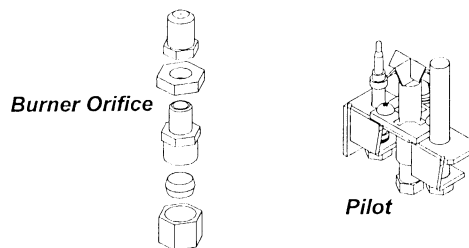
MILLIVOLT BOARD SYSTEM

1. Annual cleaning of the burner is required. The burner cover may be removed for easier access.
2. Remove the logs.
3. Loosen and remove the 2 nuts securing the burner cover. Remove the cover, sliding it off the burner orifice.
4. Visually check for blocked port holes, especially near the pilot. Blocked port holes may cause delayed ignition. Replace components by following the instructions included with the manual.



Burner Cover

5. Visually check the pilot light and burner when they are burning. **See Figures above and below.** The flames should be steady, not lifting or floating.



GLASS CLEANING & REPLACEMENT

- Clean glass only when cool and only with non-abrasive cleansers.
- **Do not** operate this fireplace with the glass/frame assembly remove, cracked or broken.
- The glass assembly, **Part #700-08T (Model #932) or #700-07T (Model #936) shall only be replaced as a complete unit**, as supplied by Hussong Mfg. Co., Inc.
- Replacement of the glass & gasket assembly, Part #700-08T - Model #932 or Part #700-07T - Model #936, must only be performed by a licensed or qualified service person. **DO NOT SUBSTITUTE MATERIALS.**
- **Do not** strike or slam glass door assembly.

CAUTION: KEEP THE APPLIANCE AREA CLEAR OF COMBUSTIBLE MATERIALS, SUCH AS GASOLINE AND OTHER FLAMMABLE VAPORS AND LIQUIDS.

L) TROUBLE SHOOTING GUIDE

NOTE: The millivolt board includes the following items: Valve, pilot assembly, piezo, electrode, rocker switch, burner, orifice and orifice holder. If any of these items are defective, contact your dealer for the appropriate repair / replacement procedures to follow.

WARNING: DO NOT ATTEMPT TO SERVICE THIS UNIT IF YOU ARE NOT A QUALIFIED INSTALLER OR REPAIRMAN.

1. If the unit fails to ignite a qualified service person should check the unit installation.
2. It is imperative that the control compartment, burner and circulation air passageways of the unit be kept clean. This is necessary to provide adequate combustion and ventilation air.
3. All of the working parts of this unit can be removed at one time. Before removing millivolt board, check for loose wires.

<u>PROBLEM</u>	<u>CAUSE</u>	<u>SOLUTION</u>
No spark when piezo button is depressed	The nut which holds the piezo in place is loose	Tighten nut.
	Wire on back of piezo button is loose or off	Put wire back into place.
	Wire from piezo to electrode is loose at electrode	Reconnect wire.
	Electrode moved out of position	Realign electrode with 1/8" space between it & the pilot.
Pilot won't light	Gas shut off	Turn Gas On
	Gas line not purged	Hold black control knob in long enough to purge line.
	Not holding black control knob in long enough.	Hold in longer
Pilot won't stay lit	Not holding black control knob in long enough.	Hold button in longer to heat thermocouple.
	Thermocouple wire loose at valve connection.	Check connection on valve.
	Pilot hood misdirecting pilot flame from thermocouple.	Check pilot flame location. Flame must be burning on generator and thermocouple.
	Refractory panels not positioned against firebox.	Secure refractory panels with high-temp sealant, especially around the intake duct.

PROBLEM

CAUSE

SOLUTION

Burner won't light

Pilot not lit

Relight pilot

Regulator valve not turned "on".

Turn valve to "on"

Rocker switch not turned "on".

Press bottom of switch

Rocker switch wire not connected

Check wiring diagram Figure 16 to ensure that all wires are secure.

Generator wires loose at regulator terminals

Reposition wire and tighten screws. See Figure 16 for wiring instructions.

Generator wire grounded out due to pinching of wires

Nuts on millivolt board may need loosening to remove pinched wire.

Generator is not producing enough millivolts to operate burner.

Replace generator.

Wall switch, remote control or thermostat not connected properly or turned to wrong setting. See figures 12A & 12B, page 19.

Connect properly or disconnect and use on/off switch only.

Burner won't stay lit

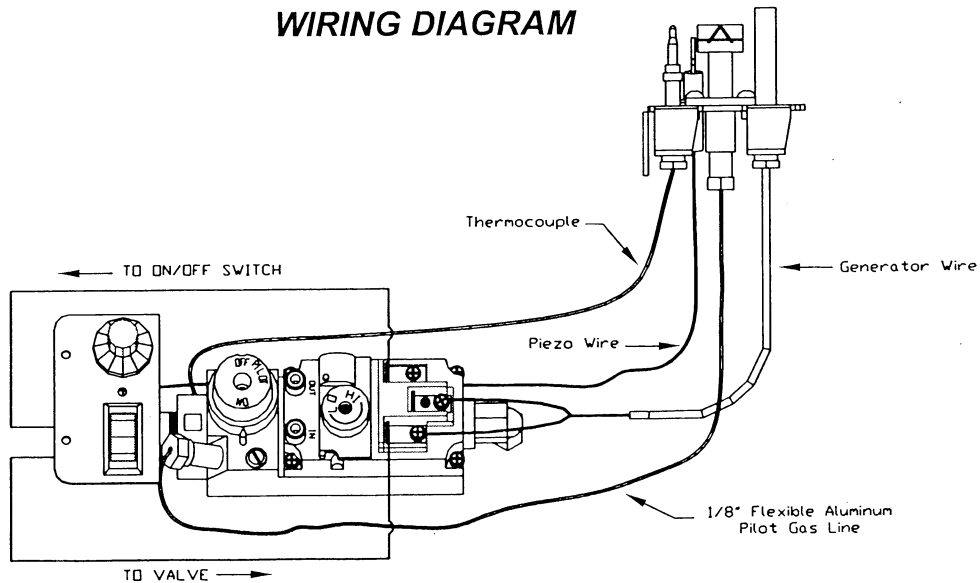
Wall switch, thermostat wire too thick or run more than 30 ft.

Disconnect wires from valve. If burner stays lit, change location or use on/off switch only.

Refractory panels not positioned against firebox.

Secure refractory panels with high-temp sealant, especially around the intake duct.

FIGURE 16



REPLACEMENT PARTS

Replacement parts are available through your local dealer. Contact them for availability and pricing.

MILLIVOLT BOARD AND PARTS

932-400A	#932 Millivolt Board - Natural Gas	700-224	3/8" Flexible Gas Line
932-401A	#932 Millivolt Board - LP Gas	700-231	#936 Natural Gas orifice - #31
936-400B	#936 Millivolt Board - Natural Gas	700-238	#932 Natural Gas orifice - #38
936-401B	#936 Millivolt Board - LP Gas	700-251	#936 LP Gas orifice - #51
700-032	Piezo Ignitor	700-253	#932 LP Gas orifice - #53
700-033	On/Off Rocker Switch	700-267	Natural Gas Pilot orifice
700-036	Millivolt Generator	700-266	LP Gas Pilot orifice
700-039	Hi/Lo Adjustable regulator (Natural Gas)	OCK-331	Natural Gas Conversion Kit - #936 DV
700-040	Hi/Lo Adjustable regulator (LP Gas)	OCK-338	Natural Gas Conversion Kit - #932 DV
700-053	NG -30 Sec. Dropout Valve	OCK-351	LP Gas Conversion Kit - #936 DV
700-054	LP - 30 Sec. Dropout Valve	OCK-353	LP Gas Conversion Kit - #932 DV
700-055	Pilot/Generator/Thermocouple Assembly-Nat. Gas	911-35BI	Burner Cover w/ 'BI' log - #932 DV
700-056	Pilot/Generator/Thermocouple Assembly-LP Gas	932-035	Burner Tube - #932 DV
700-059	Thermocouple (30-second)	911-135BI	Burner Cover w/ tube and 'BI' log - #932 DV
700-060	Pilot Tube with fitting (valve to pilot)	936-035	Burner Tube - #936 DV
700-203	Manual Shut off Valve	936-035A	Burner plate - #936 DV
700-212	12" Flexible Gas Line - #932 gas line connection	936-135	Burner Cover (plate & tube) - #936 DV
700-213	18" Flexible Gas Line - #936 gas line connection		

REPLACEMENT ONLY

932-028	#932 DV Fan Kit with Temperature limit switch & speed control
600-1	#936 DV Fan Kit with Temperature limit switch & speed control
404-4	Limit Switch Assembly
600085	Speed Control
600087	Speed Control Assembly - Dashboard (#936 DV only)

REMOTE CONTROLS / THERMOSTAT

791-2	Remote Bracket - Dashboard (#936 only)
796-1	Remote Control with thermostat
797-1	Remote Control
700-038	Wall-mount Thermostat

GLASS AND BRASS TRIM

700-08T	12" x 27" Glass with gasket - Model #932 DV
700-07T	17" x 30" Glass with gasket - Model #936 DV
900-006	Tadpole glass gasket w/ adhesive
500-932	Arched Frame Brass Trim (2 pc.) - #932 DV
500-936	Arched Frame Brass Trim (2 pc.) - #936 DV

GRILL SETS

500-342	Brass Grill Set - #932 DV
500-333	Brass Grill Set - #936 DV
500-344	Brass Accent Grill Set - #932 DV
500-334	Brass Accent Grill Set - #936 DV
500-362	Prairie Design Grill Set - #932 DV
500-356	Prairie Design Grill Set - #936 DV
500-358	Mission Design Grill Set - #936 DV
500-363	Chrome Grill Set - #936 DV
500-364	Chrome Accent Grill Set - #936 DV

UPPER GRILLS

932-200 Black Upper Grill - #932 DV
936-200 Black Upper Grill - #936 DV
932-20B Brass Upper Grill - #932 DV
936-20B Brass Upper Grill - #936 DV
301-112 Brass Accent Upper Grill - #932 DV
VF-200 Brass Accent Upper Grill - #936 DV
301-116 Prairie Design Upper Grill - #936 DV
301-119 Mission Design Upper Grill - #936 DV
301-120 Chrome Upper Grill - #936 DV
936-20C Chrome Accent Upper Grill - #936 DV

VENT SYSTEMS

745 Direct Vent Kit (for terminations up to 4')
718 Direct Vent Kit (for terminations up to 8')
746 Direct Vent Extension Kit (6' long)
747 Vinyl Siding Protector
923-C Dura-Vent Adaptor
745-060 Firestop
900-085 Convertible Restrictor

MISC.

617 44" Lintel Iron
932-080 Black Interior Trim - #932 DV
936-080 Black Interior Trim - #936 DV
932-081 Black Exterior Trim - #932 DV
936-081 Black Exterior Trim - #936 DV
936-082 Chrome Exterior 'T' Trim - #936 DV
936-083 Brass Exterior 'T' Trim - #936 DV
932-DOR Black Screen Doors - Model #932 DV
932PDOR Prairie Design Screen Doors - Model #932 DV
936-DOR Black Screen Doors - Model #936 DV
936PDOR Prairie Design Screen Doors - Model #936 DV

LOWER GRILLS

932-201 Black Lower Grill - #932 DV
936-201 Black Lower Grill - #936 DV
932-21B Brass Lower Grill - #932 DV
936-21B Brass Lower Grill - #936 DV
302-112 Brass Accent Lower Grill - #932 DV
VF-201 Brass Accent Lower Grill - #936 DV
302-116 Prairie Design Lower Grill - #936 DV
302-119 Mission Design Lower Grill - #936 DV
302-120 Chrome Lower Grill - #936 DV
936-021C Chrome Accent Lower Grill - #936 DV

LOG SETS & REFRACTORY

932-500A Log Set - #932 DV
936-50C Log Set - #936 DV
932-900 Refractory Panels (Back & Side) - #932 DV
936-900 Refractory Panels (Back & Side) - #936 DV

CONSULT YOUR DEALER FOR OTHER OPTIONS WHICH MAY BE AVAILABLE.

MODELS #932/#936 DV - US INSTALLATIONS ONLY
Revised 09/02

Manufactured by:
Hussong Mfg. Co., Inc.
204 Industrial Park Drive
Lakefield, MN 56150

KOZY HEAT LIMITED 10 YEAR WARRANTY

This Limited 10 Year Warranty will not become effective until the warranty registration form has been completed and mailed to Hussong Manufacturing Co., Inc., P.O. Box 577, Lakefield, MN 56150. This registration form must be received within 30 days of installation. Failure to do so may result in delayed warranty coverage and submission of proof of purchase will be required.

Hussong Manufacturing Co., Inc. warrants to the original purchaser of this Kozy Heat Fireplace, that it is free of defects in materials and workmanship at the time of manufacture.

Subject to the following conditions & requirements, Hussong Manufacturing Co., Inc. extends the following limited warranty under normal use and service, with respect to the Kozy Heat line of gas burning fireplaces.

YEAR 1: Subject to the following conditions & requirements listed below, within the first year from date of purchase, Hussong Manufacturing Co., Inc. shall, at its discretion, replace or repair any such defect in material or workmanship, at Hussong Manufacturing Co., Inc.'s expense, including reasonable labor costs to repair or replace the defective component, if a factory pre-authorization is given for the repair.

YEARS 2 - 10: Subject to the following conditions & requirements listed below, beginning with the first day of the second year and continuing through the tenth year, Hussong Manufacturing Co., Inc., will at its discretion, provide repair or replacement parts at current wholesale prices for any defect in material or workmanship of components, including optional components and accessories. Hussong Manufacturing Co., Inc. shall not be responsible for any installation, labor, transportation or other indirect costs.

LIMITATION OF LIABILITY

To make a claim under this warranty, the purchaser must first contact the dealer/installer from whom the fireplace was purchased.

This limited warranty will be void if the fireplace is not installed by a qualified installer and according to the installation instructions. Use of unauthorized components will make this warranty null and void.

This limited warranty also is void if the fireplace is not operated, at all times, according to the operating instructions furnished.

This warranty is limited to defects in material and workmanship. It does not apply to any product that has been subject to negligence, misapplication, improper installation. Products made by other manufactures are NOT covered by this Limited Warranty, regardless of whether they were purchase with the fireplace or later added.

No person is authorized to extend the time of this warranty or to accept on Hussong Manufacturing Co., Inc.'s behalf any additional obligation of liability connected with the unit.

It is expressly agreed and understood that this warranty is Hussong Manufacturing Co., Inc.'s sole obligation and purchaser's exclusive remedy for defective fireplace equipment. Hussong Manufacturing Co., Inc. shall not be liable for any consequential, incidental or contingent damages whatsoever. The foregoing warranty is exclusive and in lieu of all other expressed warranties. Hussong Manufacturing Co., Inc. shall not be held to implied warranties, including but not limited to the implied warranties or merchantability and fitness for a particular purpose. This warranty replaces all previous warranty policies.

Some states do not allow the exclusion or limitation of incidental or consequential damages or limitations on how long an implied warranty lasts, so the above limitations or exclusions may not apply to you. This warranty gives you specific legal rights and you may also have other rights which vary from state to state.

Hussong Manufacturing Co., Inc. reserves the right to make changes at any time, without notice, in design, material, specifications and prices. Hussong Manufacturing Co., Inc. reserves the right to discontinue models and products.

WARRANTY CONDITIONS & REQUIREMENTS:

1. You are the original purchaser. This warranty is not transferable.
2. Installation of the fireplace is performed by a qualified installer.
3. Installation and operation must comply with installation and operation instructions.
4. Paint and glass gaskets are covered for 30 days from date of purchase.
5. Components (including glass panels) broken, during shipping, careless handling of components, or defects resulting from improper installation, misuse of the fireplace and components are not covered under this warranty.
6. This warranty does not cover any part of the fireplace or any components which have been exposed to or submerged under water.
7. Hussong Manufacturing Co., Inc. must be notified by the dealer the fireplace was purchased from or a qualified installer or service technician of the defect.
8. Annual service of the fireplace as required in the installation manual, is performed by a qualified installer/service technician. (Copies of such service records may be required to claim a warranty.)
9. All previous warranty/service has been performed by a qualified installer or service technician. (Copies of such service records may be required to claim a warranty.)

K O Z Y  H E A T
 Quality Fireplaces For Life

LIFETIME WARRANTY

THIS LIFETIME WARRANTY COVERAGE WILL BE EXTENDED AS DESCRIBED BELOW PROVIDED ALL WARRANTY CONDITIONS AND REQUIREMENTS ARE MET AS OUTLINED IN THE 10 YEAR LIMITED WARRANTY POLICY.

LIFETIME WARRANTY COVERAGE

LIFETIME WARRANTY IS EXTENDED AS FOLLOWS: Hussong Manufacturing warranties to the original purchaser that the firebox, heat exchanger, fiber logs, burner tube and glass of this Kozy Heat fireplace will not be defective in material or workmanship under normal use and service for as long as you own this product. If any of these components fail due to defects in material or workmanship under normal use and service, Hussong Manufacturing Co., Inc. will, at its sole discretion, repair or replace the defective component. This LIFETIME WARRANTY does not cover any installation, labor, transportation or other indirect costs arising from defective components.

LIMITATION OF LIABILITY

This Lifetime warranty will be void if the fireplace is not installed by a qualified installer and according to the installation instructions. Use of unauthorized components will make this warranty null and void. This lifetime warranty also is void if the fireplace is not operated, at all times, according to the operating instructions furnished. This warranty is limited to defects in material and workmanship of components specified. It does not apply to any product that has been subject to negligence, misapplication, improper installation.

No person is authorized to extend the time of this Lifetime warranty or to accept on Hussong Manufacturing Co., Inc.'s behalf any additional obligation of liability connected with the unit.

Hussong Manufacturing Co., Inc. may fully discharge all obligations with respect to this Lifetime warranty by refunding the wholesale price of the defective component(s).

It is expressly agreed and understood that this Lifetime warranty is Hussong Manufacturing Co., Inc.'s sole obligation and original purchaser's exclusive remedy for defective fireplace equipment. Hussong Manufacturing Co., Inc. shall not be liable for any consequential, incidental or contingent damages whatsoever other than those incurred by Hussong Manufacturing Co., Inc. to repair or replace the defective component. The foregoing warranty is exclusive and in lieu of all other expressed warranties. Hussong Manufacturing Co., Inc. shall not be held to implied warranties, including but not limited to the implied warranties or merchantability and fitness for a particular purpose. This lifetime warranty replaces all previous lifetime warranty policies.

Hussong Manufacturing Co., Inc. reserves the right to make changes at any time, without notice, in design, material, specifications and prices. Hussong Manufacturing Co., Inc. reserves the right to discontinue models and products.

JUNE 1998

.....
 (CUT ALONG DOTTED LINE)

TO ACTIVATE THIS LIFETIME WARRANTY COVERAGE, THIS REGISTRATION CARD MUST BE COMPLETED AND MAILED WITH YOUR COMPLETED 10 YEAR LIMITED WARRANTY FORM WITHIN 30 DAYS OF INSTALLATION.

PURCHASER'S NAME: _____

INSTALLATION DATE: _____

ADDRESS: _____

MODEL#: _____ **SERIAL #:** _____

TELEPHONE # _____

INSTALLER NAME: _____

ADDRESS: _____

TELEPHONE # _____