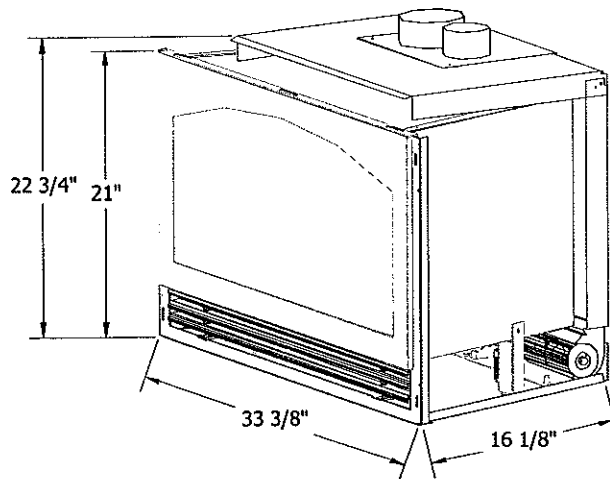




INSTALLATION AND OPERATING MANUAL

MODEL #911 XL DIRECT VENT INSERT



PATENT PENDING

PATENT #5.931.154

IMPORTANT:
READ ALL INSTRUCTIONS CAREFULLY BEFORE
INSTALLATION. FAILURE TO INSTALL THIS
FIREPLACE INSERT CORRECTLY CAN CAUSE SERIOUS
STRUCTURAL AND FIRE HAZARDS AND
MAY VOID YOUR WARRANTY.

Warnock Hersey



January 2000

**MODEL #911 XL
DIRECT VENT GAS BURNING FIREPLACE INSERT**

INSTALLATION & OPERATING INSTRUCTIONS

**IMPORTANT:
READ THIS MANUAL BEFORE INSTALLING AND USING THIS FIREPLACE**

This fireplace has been tested to and complies with ANSI Z21.88•CSA 2.33-M98 "DIRECT VENT GAS FIREPLACE". Installation must conform with local building codes or in the absence of local building codes, with the National Fuel Gas code, ANSI Z223.1 NFPA 54. FOR U.S. INSTALLATIONS ONLY.

WARNING: If the information in these instructions are not followed exactly, a fire or explosion may result causing property damage, personal injury or loss of life.

Do not store or use gasoline or other flammable vapors in the vicinity of this or any other appliance.

WHAT TO DO IF YOU SMELL GAS:

- ▶ Do not try to light any appliance.
- ▶ Do not touch electrical switches; do not use the phone in your building.
- ▶ Immediately call your gas supplier from a neighbor's phone. Follow the gas supplier's instructions.
- ▶ If you cannot reach your gas supplier, call the fire department.

Installation and service must be performed by a qualified installer, service agency or the gas supplier.

This appliance may be installed in an aftermarket permanently located, manufactured (mobile) home, where not prohibited by local codes.

This appliance is only for use with the type(s) of gas indicated on the rating plate. This appliance is not convertible for use with other gases, unless a certified kit is used.

WARNING: DO NOT REPLACE THIS BURNER UNIT WITH ANY OTHER SIZED BURNER. REPLACEMENT WITH AN UNAUTHORIZED BURNER CAN RESULT IN TEMPERATURES EXCEEDING THE LIMITS FOR THIS UNIT AND VOID YOUR WARRANTY.

DUE TO HIGH TEMPERATURES, THIS FIREPLACE SHOULD BE LOCATED OUT OF TRAFFIC AND AWAY FROM FURNITURE AND DRAPERIES

Do not use this fireplace if any part has been under water. Immediately call a qualified service technician to inspect this appliance and to replace any part of the control system and any gas control which has been under water.

YOUNG CHILDREN SHOULD BE CAREFULLY SUPERVISED WHEN THEY ARE IN THE SAME ROOM AS THIS FIREPLACE.

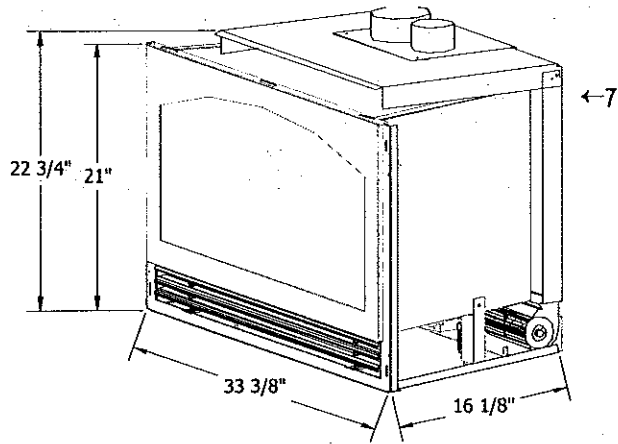
CHILDREN AND ADULTS SHOULD BE ALERTED TO THE HAZARDS OF HIGH SURFACE TEMPERATURE AND SHOULD STAY AWAY TO AVOID BURNS OR CLOTHING IGNITION.

CLOTHING OR OTHER FLAMMABLE MATERIAL SHOULD NOT BE PLACED ON OR NEAR THE APPLIANCE.

The efficiency rating of this appliance is a product thermal efficiency rating determined under continuous operating conditions and was determined independently of any installed system.

SPECIFICATIONS:

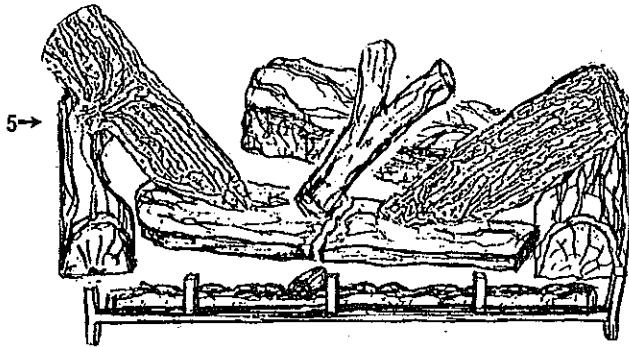
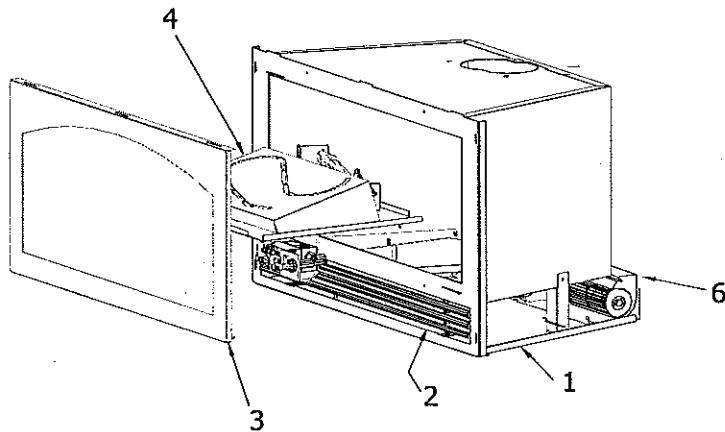
Height (top of firebox): 21"
Height (top of air duct): 22 3/4"
Width: 33 3/8"
Depth: 16 1/8"



Check the assembly diagram below to ensure you have all the necessary components to properly install this fireplace insert.

This insert includes the following:

1. Unit.
2. Grill Set.
3. Quick-latch glass assembly.
4. Millivolt board with burner & cover.
5. Log set.
6. 150 CFM fan with limit switch and speed control.
7. Co-linear air duct (shown above)
8. Masonry shell kit (not shown)



Additional components which are necessary for proper installation are:

1. Vent System:

Part #815-CL: For use with minimum 6" x 8" I.D. masonry or 8" I.D. Class 'A' metal chimneys - Includes 12 ft. compressed, expandable to 25 ft. co-linear 3" x 4" flexible chimney, and termination cap. If your existing chimney is higher than 25 ft. above the fireplace, an extension kit (Part #510) must be used to properly extend the 3" intake and 4" exhaust up to a maximum of 40 ft..

2. Shroud - 3 pc..

Two standard sizes are available and will fit most applications. Custom shrouds may be ordered on a non-returnable basis. When ordering a custom shroud, please specify existing opening height and width dimensions.

- This unit is designed to accept either a 3/8" or 1/2" gas line approved for gas appliances. Consult local building codes to properly size the gas supply line leading to a 3/8" reduction. Also, see the chart below for proper supply line sizing.
- Connect the manual shut off valve to the previous run gas line.
- The gas line will be connected to the millivolt board later in this manual.

IMPORTANT:
ALL CONNECTIONS WHETHER FIELD OR FACTORY MADE MUST BE CHECKED FOR LEAKS.

NOTE: This appliance and its individual shut off valve must be disconnected from the gas supply piping system during any pressure testing of that system at test pressures in excess of 1/2 psi.

NOTE: This appliance must be isolated from the gas supply piping system by closing its individual manual shut off valve during any pressure testing of the gas supply piping systems at test pressures equal to or less than 1/2 psi.

Pressure check taps for both the manifold (outgoing) and inlet (incoming) pressures are located in front of the gas valve. The top pressure tap is the manifold pressure and the bottom pressure tap is the incoming pressure. Follow instructions on page #19 for checking these pressures.

NATURAL GAS:

The minimum inlet gas supply pressure: 5.0 in. W.C.
 Recommended inlet gas supply pressure: 7.0 in. W.C.
 The maximum inlet gas supply pressure: 10.5 in. W.C.
 Manifold Pressure: 3.5 in. W.C.
 Manifold Pressure (lo setting): 1.7 in. W.C.
 Orifice size (0-2000 ft): 31 Input rating: 36,000 BTU's
 Minimum Input rating: 21,400 BTU's

LP GAS:

The minimum inlet gas supply pressure: 11.0 in. W.C.
 Recommended inlet gas supply pressure: 11.0 in. W.C.
 The maximum inlet gas supply pressure: 13.0 in. W.C.
 Manifold Pressure: 10.0 in. W.C.
 Manifold Pressure (lo setting): 5.4 in. W.C.
 Orifice size (0-2000 ft): 50 Input rating: 34,000 BTU's
 Minimum Input rating: 23,400 BTU's

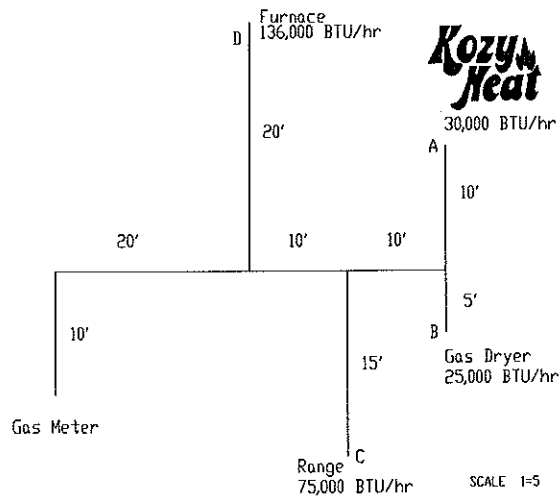
For high altitude installations, consult the local gas distributor or the authority having jurisdiction for proper rating methods.

<u>Tubing size</u>	<u>Maximum run</u>
3/8" I.D.	10'
1/2" I.D.	70'
5/8" I.D.	100'
3/4" I.D.	125'

SOLUTION TO EXAMPLE

(1) Maximum demand for outlet "A"	30 CFH
Maximum demand for outlet "B"	25 CFH
Maximum demand for outlet "C"	75 CFH
Maximum demand for outlet "D"	136 CFH

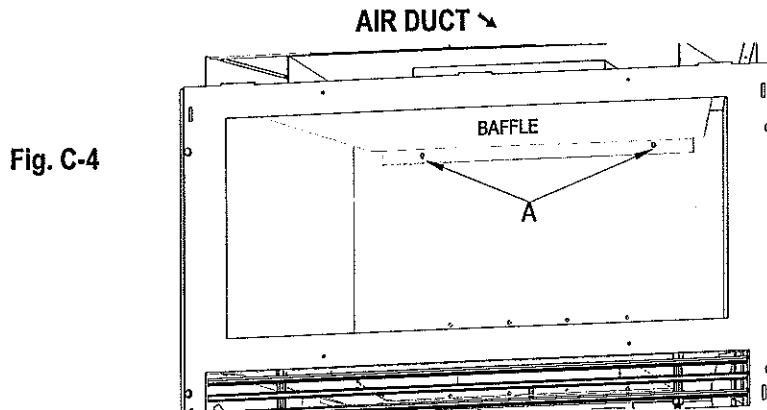
TOTAL DEMAND 266 CFH



- The length of pipe from the gas meter to the most remote outlet (outlet "A") is 60'. **THIS IS THE ONLY DISTANCE USED.**
- Using horizontal line marked 60', outlet "A" supplying 30 cubic feet an hour requires 1/2 inch pipe. Outlet "B" supplying 25 cubic feet an hour requires 1/2 inch pipe. Section 1 supplying outlets "A" & "B", 55 cubic feet an hour requires 1/2 inch pipe.

3. REMOVE THE BAFFLE AND AIR DUCT

1. From inside the fireplace, loosen and remove the 2 nuts securing the baffle (A).
2. Pull the baffle toward the front until the back of the baffle drops from the studs.
3. Remove from the firebox and set aside for later re-installation.
4. Lift the air duct (manifold) up from the top of the firebox and set aside.



D) INSTALLING THE INSERT

IMPORTANT: ALL STEPS IN SECTION 'A) PREPARE THE EXISTING FIREPLACE' MUST BE COMPLETED BEFORE CONTINUING WITH THIS INSTALLATION.

1. MASONRY SIDE PANEL INSTALLATION

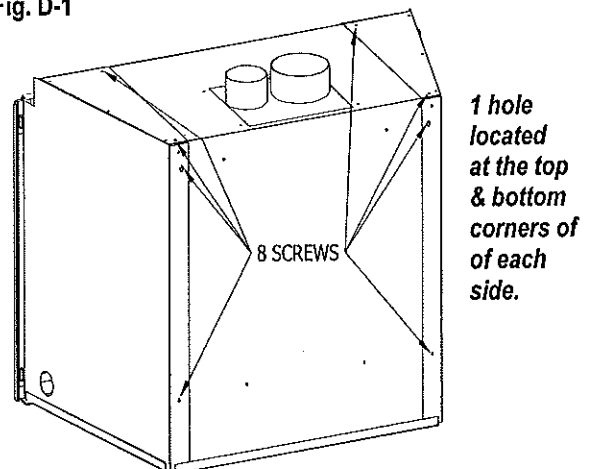
This unit includes optional masonry side panels (1 left panel & 1 right panel). These panels, if used, must be installed to the air duct (manifold) before the vent system is connected.

NOTE: You will need the 12 self-tapping screws included with the components packet included with the fireplace to secure the air duct.

A. SECURE THE PANELS TO THE AIR DUCT:

1. Align the 2 holes in the top and 2 holes in the back of the right side panel to the holes on the air duct (2 holes on the top / 2 holes on the back).
2. Secure the panel to the air duct with the self-tapping screws (2 on top / 2 on back).
3. Repeat for remaining left side panel.

Fig. D-1



3. RUN THE VENT SYSTEM THROUGH THE EXISTING CHIMNEY

* OPTIONAL: We recommend wrapping the first 3 ft. of the vent system below the termination cap with non-faced fiberglass insulation (secure with wire) before running it through the existing chimney. This will prevent cold air from coming down the existing chimney.

NOTE: If there are offsets in the existing chimney, it may be easier to place a weighted rope around the end of the 4" pipe and another weighted rope around the 3" pipe to guide them through it.

DO NOT ATTEMPT TO TIE ONE ROPE AROUND BOTH PIPES.

A. Guide the rope, if used, and flexible pipes down the existing chimney.

B. To secure the chimney termination cap to the existing chimney, apply a liberal bead of sealant (provided) around the top of the existing chimney. Set the termination cap into position.

C. From inside the opening, grasp the ropes and CAREFULLY pull the ropes until the 3" combustion air intake and 4" exhaust pipe is down into the existing fireplace.

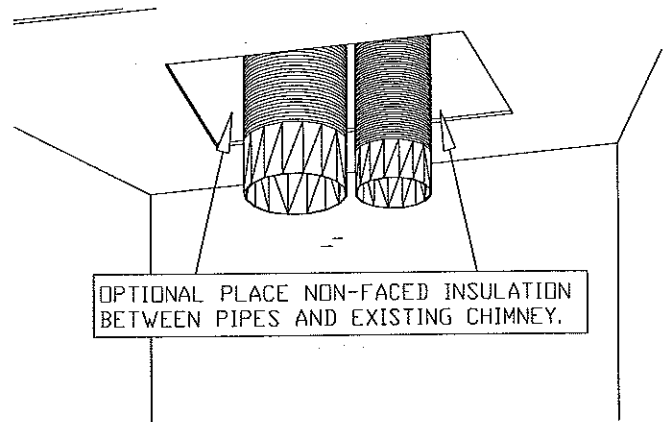


FIGURE D-3

* OPTIONAL: We recommend placing non-faced fiberglass batting insulation between the pipes and existing chimney to prevent heat loss up the chimney. (SEE FIGURE D-3)

4. CONNECT THE VENT SYSTEM TO THE AIR DUCT

A. Place the air duct into the existing fireplace opening.

B. Place a bead of sealant (provided) around the 4" exhaust pipe and slide it inside the 4" collar on the duct. Apply additional sealant around the joint to ensure an air tight seal.

C. Apply a liberal bead of sealant (provided) around the 3" collar on the air duct. Slide the 3" combustion intake pipe over the collar. To ensure an air-tight seal, apply additional sealant around the joint.

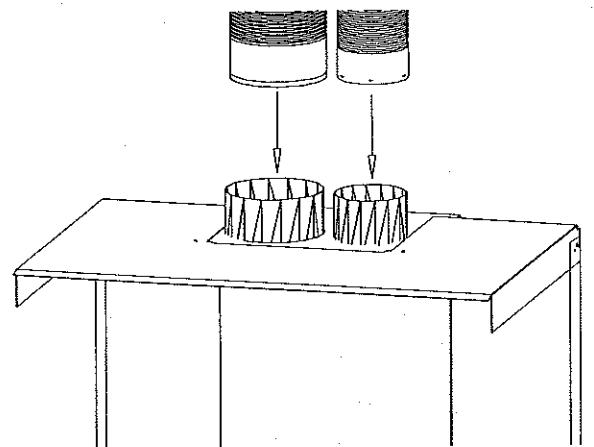


FIGURE D-4

G. REINSTALL MILLIVOLT BOARD INSTALLATION. See Figures G-1 & G-2.

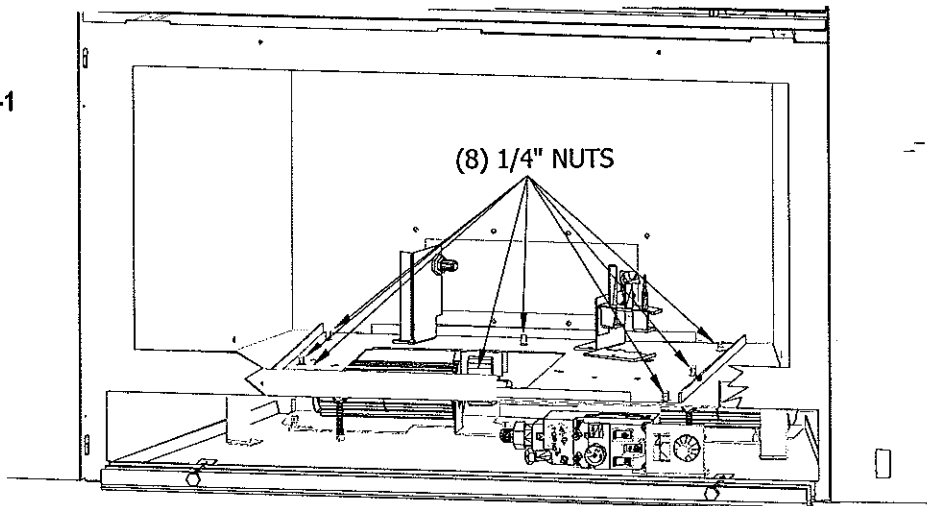
NOTE: The millivolt board must be fitted with a gasket, (included) to seal the board. Make certain this gasket is properly placed around the opening before installing the millivolt board.

1. Grasp the millivolt board with both hands and place into the unit, lining up the eight 1/4" holes.

CAUTION: BEFORE SECURING THE BOARD INTO PLACE, MAKE CERTAIN THAT ALL OF THE WIRES (ATTACHED UNDER THE BOARD) ARE CLEAR AND UNOBSTRUCTED.

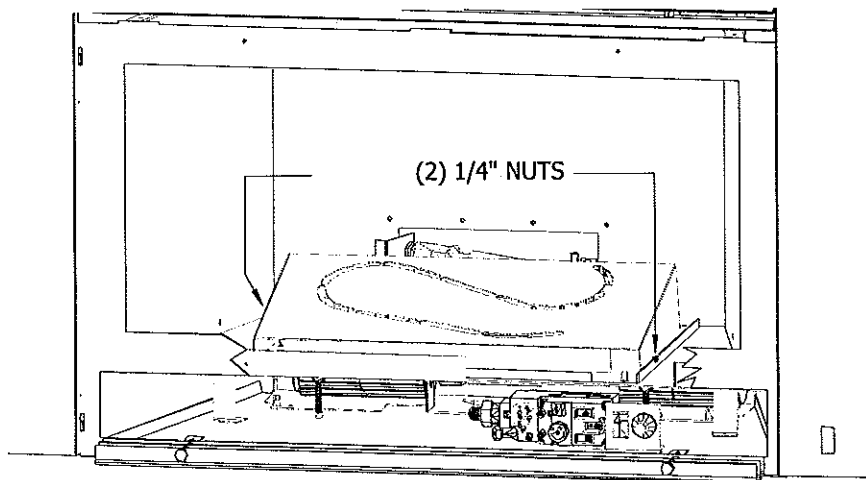
2. Attach the (8) nuts (included with the board assembly) and tighten.

Figure G-1



2. Place the burner / cover assembly onto the board, properly seating the burner tube over the orifice and aligning the slots in the board to the studs in the cover. Secure with the (2) nuts.
4. Connect the flexible gas line to the manual shut off valve.
5. Connect any remote control, wall switch or thermostat wires.

Figure G-2



IMPORTANT: CHECK ALL CONNECTIONS, WHETHER FIELD OR FACTORY MADE, FOR LEAKS.

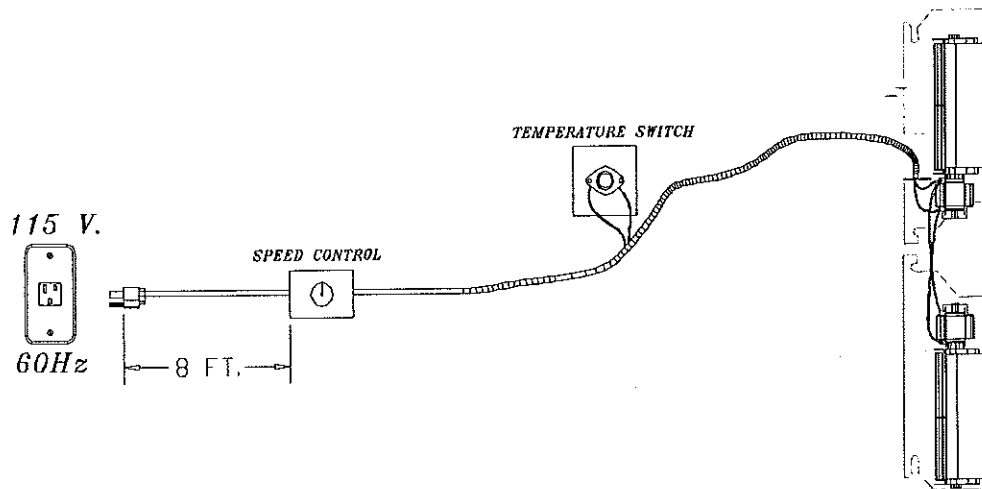
I. COMPLETE THE FAN INSTALLATION:

This insert comes complete with a fan, speed control and temperature limit switch assembly already installed. This fan is equipped with a three-prong (grounding) plug attached to the end of the 8 ft. fan electrical cord for protection against shock hazard and should be plugged directly into a properly grounded three-prong receptacle. Do not remove the grounding prong from the plug. Do not allow any excess fan cord to touch the firebox.

1. Attach the limit switch on the left side of the millivolt board under the firebox.
2. Plug fan cord into the nearest, properly grounded receptacle.

Note: The fan will not operate unless the speed control has been turned on. The fan will not turn on until sufficient heat is applied to the thermostatic control switch. The fan will then turn on and off automatically when the fireplace heat and cools. Adjust fan to desired speed while it is running.

NOTE: THIS FAN SYSTEM, WHEN INSTALLED, MUST BE ELECTRICALLY CONNECTED AND GROUNDED IN ACCORDANCE WITH LOCAL BUILDING CODES, OR IN THE ABSENCE OF LOCAL BUILDING CODES, WITH THE NATIONAL ELECTRICAL CODE, ANSI/NFPA 70.

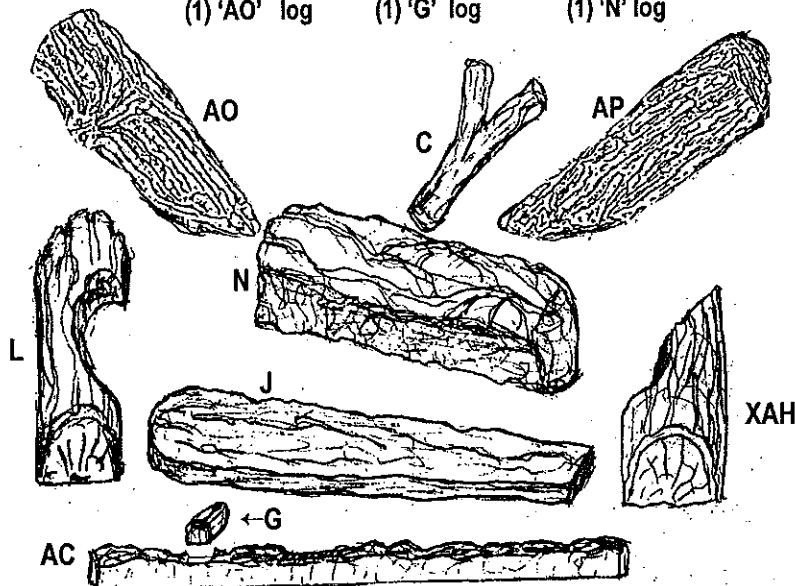


J. LOG INSTALLATION. See Figures J-1 & J-2.

This log set includes:

- | | | |
|---------------|--------------|---------------------|
| (1) 'XAH' log | (1) 'AP' log | (1) 'J' log (2 pc.) |
| (1) 'AC' log | (1) 'C' log | (1) 'L' log |
| (1) 'AO' log | (1) 'G' log | (1) 'N' log |

Figure J-1



K. COMPLETE THE INSTALLATION

1. THIS STEP SHOULD ONLY BE DONE BY A QUALIFIED INSTALLER OR SERVICE TECHNICIAN:

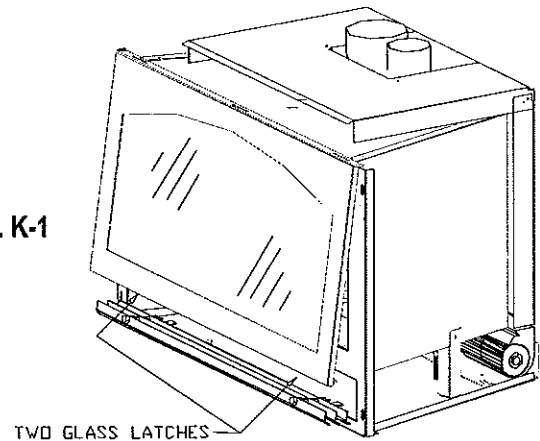
- A) Perform lighting and shutdown procedures as described on pages #17-18. This should be done prior to replacing the glass so that any necessary adjustments can be made and proper operation and log position verified.

2. Replace the glass / black frame assembly. Refer also to Figure K-1.

WARNING: DO NOT OPERATE THIS FIREPLACE WITH THE GLASS ASSEMBLY REMOVED, CRACKED, OR BROKEN. Replacement of the glass assembly should be done by a licensed or qualified service person.

- A. Align the 3 slots in the top of the glass assembly over the 3 tabs on the fireplace (at the top).
- B. Place the glass assembly so it is flush with the front of the fireplace front.
- C. While holding the glass assembly, pull the latches out and secure over the glass latch clips on the bottom of the glass frame locking it in place.

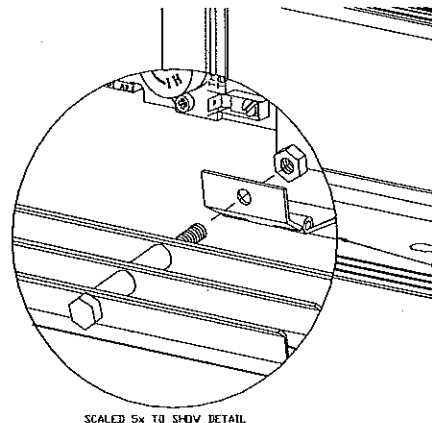
Fig. K-1



3. Install the lower grill. Refer to Figure K-2.

- A) Place the bolts through the hinges in the lower grill opening.
- B) Attach the 1/4" nuts.
- C) Tighten both 1/4" nuts.

Figure K-2



M. LIGHTING & SHUTDOWN

NOTE: Prior to lighting, check all fittings for leakage. This is accomplished by lightly spraying soapy water on all connections made. If there is any leakage, bubbles will appear at the point of connection. If bubbles occur, tighten the fittings until the bubbles no longer appear.

IMPORTANT: TEST ALL CONNECTIONS WHETHER FIELD OR FACTORY MADE.

NOTE: The appliance and its individual shut off valve must be disconnected from the gas supply piping system during any pressure testing of that system at test pressures in excess of ½ psi.

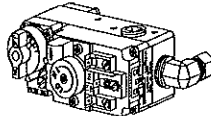
NOTE: The appliance must be isolated from the gas supply piping system by closing its individual manual shut off valve during any pressure testing of the gas line at test pressures equal to or less than 1/2 psig (3.5 kPa).

Pressure check taps for the manifold (outgoing) and inlet (incoming) pressures are located in front of the gas valve. The top pressure tap is the manifold pressure and the bottom pressure tap is the incoming pressure. Follow instructions on page 19 for checking these pressures.

NOTE: Read 1-8 before lighting the unit for the first time. Refer to figure M-1, page 18.

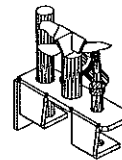
1. Open the lower grill by grasping the center of the top louver, and pull out and down.
2. Set the thermostat, if used, to the lowest setting
3. Turn off all electric power to the appliance.
4. Push in control knob (A) slightly and turn clockwise to "OFF"

Gas control knob
shown in "on" position



NOTE: Knob cannot be turned from "PILOT" to "Off" unless knob is pushed in slightly. Do not force.

5. Wait five (5) minutes to clear out any gas. If you then smell gas, STOP! Follow the safety information on page 1 of this installation manual. If you don't smell gas, go to the next step.



6. Find the pilot - follow metal tube from gas control. The pilot is behind the burner tube.
7. Turn the black knob on gas control counterclockwise to "PILOT".
8. Push in the black control knob all the way and hold in. Press the RED igniter button (C). The pilot will generally light with two or three pushes on the igniter. Hold the knob in for about one (1) minute after the pilot is lit. Release knob and it will pop back out. Pilot should remain lit. If it goes out, repeat steps 4 through 8.

- * If knob does not pop out when released, stop and immediately call your service technician or gas supplier.
 - * If the pilot will not stay lit after several tries, turn the gas control knob to "OFF" and call your service technician or gas supplier.
9. Turn gas control knob counterclockwise to "ON".
 10. Flip the on/off switch (B) to the "on" position.
 11. Set thermostat, if used, to desired setting.

PRESSURE TESTING MANIFOLD & INLET PRESSURE

IMPORTANT NOTICE: A pressure check tap for both the manifold (outgoing) and inlet (incoming) pressure has been incorporated into the valve by Robertshaw. The top pressure tap is the manifold pressure and the bottom pressure tap measures the incoming pressure. Follow the instructions below for proper pressure testing procedures.

TO CHECK THE MANIFOLD PRESSURE:

1. Light pilot .
2. Loosen the manifold pressure tap [C] by turning the screw counter-clockwise.
3. Attach manometer to pressure tap using a 5/16" I.D. hose [E].
4. Turn black control knob [A] to the 'on' position.
5. Turn the burner on by depressing the rocker switch [B] and note the manometer reading.
5. Turn the rocker switch [B] to the 'off' position.
6. Disconnect manometer hose and tighten screw (clockwise).

Screw should be snug, do not over tighten.

7. Attach manometer to manifold pressure tap to verify that it is completely sealed.

Manometer should read no pressure when the rocker switch is turned on.

NOTE: If manifold pressure reading is within the normal range, an incoming pressure check is not necessary. A too high or too low pressure reading warrants an inlet (incoming) gas pressure check.

TO CHECK THE INLET PRESSURE:

1. Loosen Inlet pressure tap screw [D] by turning screw counter-clockwise.
2. Attach manometer using a 5/16" I.D. hose [E].
3. Light the pilot.
4. Turn the black control knob [A] to the 'on' position. (Burner should not come on) and note manometer reading.
5. Turn the rocker switch [B] to the 'on' position and check the pressure to ensure that it stays near the maximum inlet pressure.
6. Turn the rocker switch [B] to the 'off' position.
7. Turn the pilot to the 'off' position.
8. Disconnect hose and tighten screw (clockwise). Screw should be snug, do not over tighten.
9. Relight pilot and turn the control knob [A] to the 'on' position. Attach manometer to the inlet pressure tap to verify that it is completely sealed. Manometer should read no pressure.

NOTE: If Inlet pressure reading is too high or too low, contact the gas company. Only a qualified gas service technician should adjust the incoming gas pressure.

CAUTION: A LOW PRESSURE READING CAN CAUSE DELAYED IGNITION.

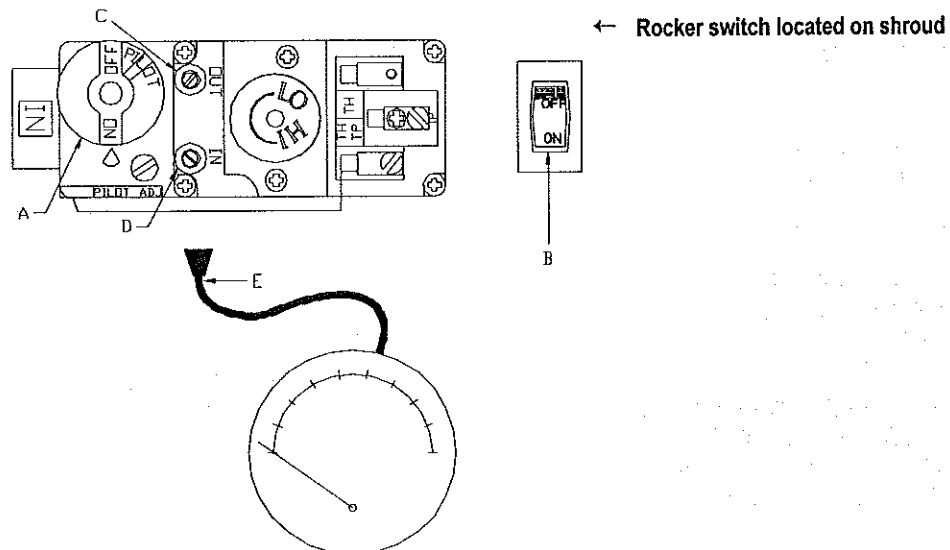


FIGURE M-2

O) TROUBLE SHOOTING GUIDE

NOTE: The millivolt board includes the following items: Regulator, generator, pilot, thermocouple, piezo, electrode, burner & cover assembly, orifice and orifice holder. If any of these items are defective, contact your dealer for the appropriate repair / replacement procedures to follow.

WARNING: DO NOT ATTEMPT TO SERVICE THIS UNIT IF YOU ARE NOT A QUALIFIED INSTALLER OR REPAIRMAN.

1. If the unit fails to ignite a qualified service person should check the unit installation.
2. It is imperative that the control compartment, burner and circulation air passageways of the unit be kept clean. This is necessary to provide adequate combustion and ventilation air.
3. All of the working parts of this unit can be removed at one time. Before removing regulator board, check for loose wires.

<u>PROBLEM</u>	<u>CAUSE</u>	<u>SOLUTION</u>
No spark when piezo button is depressed	The nut which holds the piezo in place is loose	Tighten nut.
	Wire on back of piezo button is loose or off	Put wire back into place.
	Wire from piezo to electrode is loose at electrode	Replace electrode assembly.
	Electrode moved out of position	Realign electrode with 1/8" space between it and pilot.
Pilot won't light	Gas shut off	Turn Gas On
	Gas line not bled out	Hold valve knob in long enough to bleed out line.
	Not holding regulator valve in long enough	Hold in longer
Pilot won't stay lit	Not holding pilot button in long enough	Hold button in longer to heat generator
	Thermocouple wire loose at valve connection.	Check connection on valve.
	Pilot hood misdirecting pilot flame from thermocouple.	Check pilot flame location.. Flame must be burning on generator and thermocouple.

GAS CONVERSION KIT INSTRUCTIONS

IMPORTANT: CONVERSION OF THIS OR ANY GAS APPLIANCE SHOULD BE DONE ONLY BY A QUALIFIED SERVICE TECHNICIAN.

This conversion kit shall be installed by a qualified service agency in accordance with the manufacturer's instructions and all applicable codes and requirements of the authorization have jurisdiction. If the information in these instructions is not followed exactly, a fire, explosion or production of carbon monoxide may result, causing property damage, personal injury or loss of life. The qualified agency is responsible for the proper installation of this kit. The installation is not proper and complete until operation of the converted appliance is checked as specified in the owner instructions supplied with the kit.

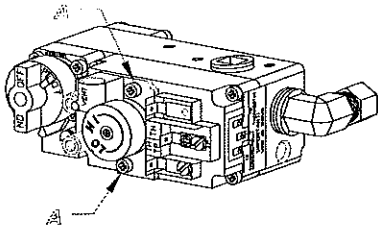
This kit includes:

(1) Hi/Lo Regulator (LP or Natural)	(1) Tube Sealant
(1) Main Burner orifice	(1) 'Gas Type' label
(1) Pilot Orifice (#21 Natural or #11 LP)	(1) 'Gas Conversion' label
(1) Pilot tubing with fittings	

IMPORTANT: All of these items, except the pilot tubing, must be replaced when you are converting a Kozy Heat fireplace from one type of gas to another. Replacement of the pilot tubing is optional.

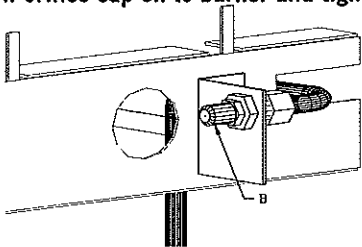
To replace the hi/lo regulator:

1. Turn off the unit by depressing and turning the 'black' control knob to 'off'.
2. Remove existing hi/lo regulator and gasket from control by removing the two screws [A]. Discard.
3. Install new hi/lo regulator and new gasket with screws from this kit. Tighten screws securely.



To replace the burner orifice:

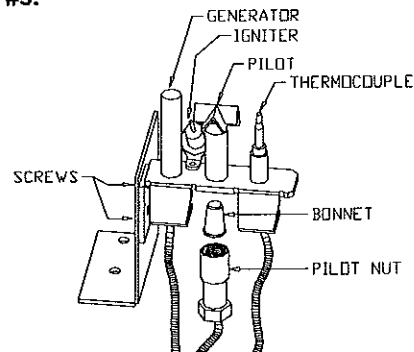
1. Remove upper grill, glass assembly and logs. Refer to the unit installation manual for instructions.
2. Remove burner/cover assembly to expose the burner orifice. Loosen and remove the orifice 'cap' [B].
3. Thread new orifice cap on to burner and tighten.



To replace the pilot bonnet:

1. Locate the pilot assembly.
2. Loosen the pilot nut assembly and thermocouple nut. Pull the nuts down, releasing the components.
3. Loosen and remove the (2) screws securing the pilot assembly.
4. Carefully pull the pilot assembly up and slightly tilt back to expose the pilot bonnet. Replace the existing pilot bonnet with the one included in this kit.

5. Replace the pilot nut assembly and thermocouple nut and tighten.
6. Secure the pilot assembly with the (2) screws removed in step #3.



COMPLETE THE CONVERSION

1. Replace the burner/cover assembly. Make sure it is properly positioned over the orifice.
2. Light the pilot and turn the burner on.
3. Check for leaks at all connections, whether field or factory made.
4. Test the manifold (outgoing) pressure. Make sure it is within the proper range for the gas type converted to.
5. Turn the burner and pilot off.
6. Complete conversion sticker and affix to the board assembly.
7. Affix proper 'gas type only' oval label over the existing label.
8. Replace the logs and glass.
9. Light the pilot and turn the burner on.
10. Verify proper log positioning.
11. Verify proper operation and ignition of unit at both the 'high' and 'low' settings.
12. Replace the upper grill / shroud assembly.
13. Complete and affix 'Gas Conversion' label behind lower grill by certification label.

This conversion shall be carried out in accordance with the requirements of the provincial authorities having jurisdiction and in accordance with the requirements of the ANSI Z223.1 installation code.

KOZY HEAT LIMITED 10 YEAR WARRANTY

This Limited 10 Year Warranty will not become effective until the warranty registration form has been completed and mailed to Hussong Manufacturing Co., Inc., P.O. Box 577, Lakefield, MN 56150. This registration form must be received within 30 days of installation. Failure to do so may result in delayed warranty coverage and submission of proof of purchase will be required.

Hussong Manufacturing Co., Inc. warrants to the original purchaser of this Kozy Heat Fireplace, that it is free of defects in materials and workmanship at the time of manufacture.

Subject to the following conditions & requirements, Hussong Manufacturing Co., Inc. extends the following limited warranty under normal use and service, with respect to the Kozy Heat line of gas burning fireplaces.

YEAR 1: Subject to the following conditions & requirements listed below, within the first year from date of purchase, Hussong Manufacturing Co., Inc. shall, at its discretion, replace or repair any such defect in material or workmanship, at Hussong Manufacturing Co., Inc.'s expense, including reasonable labor costs to repair or replace the defective component, if a factory pre-authorization is given for the repair.

YEARS 2 - 10: Subject to the following conditions & requirements listed below, beginning with the first day of the second year and continuing through the tenth year, Hussong Manufacturing Co., Inc., will at its discretion, provide repair or replacement parts at current wholesale prices for any defect in material or workmanship of components, including optional components and accessories Hussong Manufacturing Co., Inc. shall not be responsible for any installation, labor, transportation or other indirect costs.

LIMITATION OF LIABILITY

To make a claim under this warranty, the purchaser must first contact the dealer/installer from whom the fireplace was purchased.

This limited warranty will be void if the fireplace is not installed by a qualified installer and according to the installation instructions. Use of unauthorized components will make this warranty null and void.

This limited warranty also is void if the fireplace is not operated, at all times, according to the operating instructions furnished.

This warranty is limited to defects in material and workmanship. It does not apply to any product that has been subject to negligence, misapplication, improper installation. Products made by other manufactures are NOT covered by this Limited Warranty, regardless of whether they were purchase with the fireplace or later added.

No person is authorized to extend the time of this warranty or to accept on Hussong Manufacturing Co., Inc.'s behalf any additional obligation of liability connected with the unit.

It is expressly agreed and understood that this warranty is Hussong Manufacturing Co., Inc.'s sole obligation and purchaser's exclusive remedy for defective fireplace equipment. Hussong Manufacturing Co., Inc. shall not be liable for any consequential, incidental or contingent damages whatsoever. The foregoing warranty is exclusive and in lieu of all other expressed warranties. Hussong Manufacturing Co., Inc. shall not be held to implied warranties, including but not limited to the implied warranties of merchantability and fitness for a particular purpose. This warranty replaces all previous warranty policies.

Some states do not allow the exclusion or limitation of incidental or consequential damages or limitations on how long an implied warranty lasts, so the above limitations or exclusions may not apply to you. This warranty gives you specific legal rights and you may also have other rights which vary from state to state.

Hussong Manufacturing Co., Inc. reserves the right to make changes at any time, without notice, in design, material, specifications and prices. Hussong Manufacturing Co., Inc. reserves the right to discontinue models and products.

WARRANTY CONDITIONS & REQUIREMENTS:

1. You are the original purchaser. This warranty is not transferable.
2. Installation of the fireplace is performed by a qualified installer.
3. Installation and operation must comply with installation and operation instructions.
4. Paint and glass gaskets are covered for 30 days from date of purchase.
5. Components (including glass panels) broken, during shipping, careless handling of components, or defects resulting from improper installation, misuse of the fireplace and components are not covered under this warranty.
6. This warranty does not cover any part of the fireplace or any components which have been exposed to or submerged under water.
7. Hussong Manufacturing Co., Inc. must be notified by the dealer the fireplace was purchased from or a qualified installer or service technician of the defect.
8. Annual service of the fireplace as required in the installation manual, is performed by a qualified installer/service technician. (Copies of such service records may be required to claim a warranty.)
9. All previous warranty/service has been performed by a qualified installer or service technician. (Copies of such service records may be required to claim a warranty.)

K O Z Y H E A T Quality Fireplaces For Life

LIFETIME WARRANTY

THIS LIFETIME WARRANTY COVERAGE WILL BE EXTENDED AS DESCRIBED BELOW PROVIDED ALL WARRANTY CONDITIONS AND REQUIREMENTS ARE MET AS OUTLINED IN THE 10 YEAR LIMITED WARRANTY POLICY.

LIFETIME WARRANTY COVERAGE

LIFETIME WARRANTY IS EXTENDED AS FOLLOWS: Hussong Manufacturing warranties to the original purchaser that the firebox, heat exchanger, fiber logs, burner tube and glass of this Kozy Heat fireplace will not be defective in material or workmanship under normal use and service for as long as you own this product. If any of these components fail due to defects in material or workmanship under normal use and service, Hussong Manufacturing Co., Inc. will, at its sole discretion, repair or replace the defective component. This LIFETIME WARRANTY does not cover any installation, labor, transportation or other indirect costs arising from defective components.

LIMITATION OF LIABILITY

This Lifetime warranty will be void if the fireplace is not installed by a qualified installer and according to the installation instructions. Use of unauthorized components will make this warranty null and void. This lifetime warranty also is void if the fireplace is not operated, at all times, according to the operating instructions furnished. This warranty is limited to defects in material and workmanship of components specified. It does not apply to any product that has been subject to negligence, misapplication, improper installation.

No person is authorized to extend the time of this Lifetime warranty or to accept on Hussong Manufacturing Co., Inc.'s behalf any additional obligation of liability connected with the unit.

Hussong Manufacturing Co., Inc. may fully discharge all obligations with respect to this Lifetime warranty by refunding the wholesale price of the defective component(s).

It is expressly agreed and understood that this Lifetime warranty is Hussong Manufacturing Co., Inc.'s sole obligation and original purchaser's exclusive remedy for defective fireplace equipment. Hussong Manufacturing Co., Inc. shall not be liable for any consequential, incidental or contingent damages whatsoever other than those incurred by Hussong Manufacturing Co., Inc. to repair or replace the defective component. The foregoing warranty is exclusive and in lieu of all other expressed warranties. Hussong Manufacturing Co., Inc. shall not be held to implied warranties, including but not limited to the implied warranties of merchantability and fitness for a particular purpose. This lifetime warranty replaces all previous lifetime warranty policies.

Hussong Manufacturing Co., Inc. reserves the right to make changes at any time, without notice, in design, material, specifications and prices. Hussong Manufacturing Co., Inc. reserves the right to discontinue models and products.

JUNE 1998

.....
(CUT ALONG DOTTED LINE)

TO ACTIVATE THIS LIFETIME WARRANTY COVERAGE, THIS REGISTRATION CARD MUST BE COMPLETED AND MAILED WITH YOUR COMPLETED 10 YEAR LIMITED WARRANTY FORM WITHIN 30 DAYS OF INSTALLATION.

PURCHASER'S NAME: _____

ADDRESS: _____

INSTALLER NAME: _____

ADDRESS: _____

INSTALLATION DATE: _____

MODEL #: _____ SERIAL #: _____

TELEPHONE # _____

TELEPHONE # _____