

QUALITY FIREPLACES FOR LIFE.

KOZY HEAT FIREPLACES | ALPHA 36S



Alpha 36S with an Arched finishing frame, Arched Mission Design screen front, Traditional Brick refractory and optional Circle andirons

KOZY HEAT
FIREPLACES

ALPHA 36S

DIRECT VENT GAS FIREPLACE

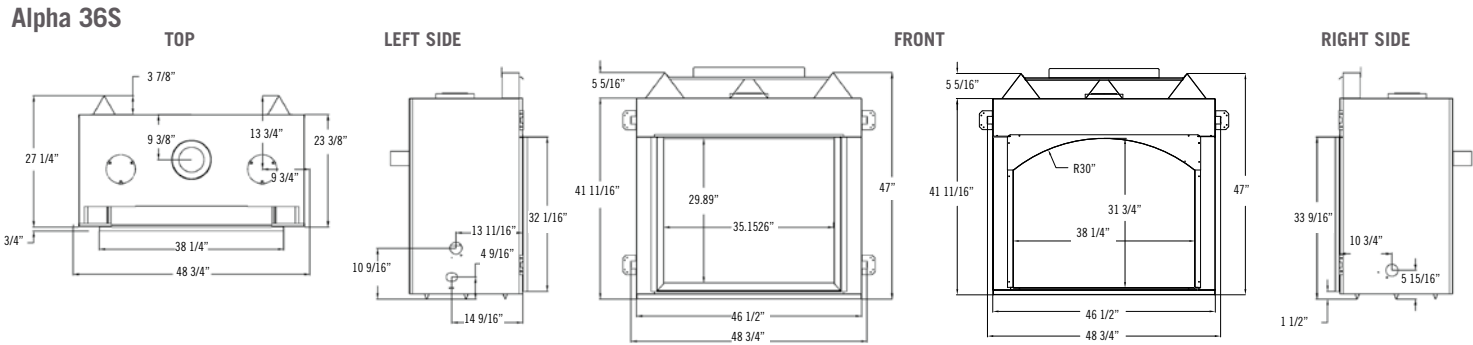
OPTIONS & SPECIFICATIONS

Model	Alpha 36S
Height	41-11/16"
Width	46-1/2"
Back Width	46-1/2"
Depth	23-3/8"
Weight	350lbs
Viewing Area	35.1526" x 29.89"
NG High/Low	48,000 / 24,000
LP High/Low	46,500 / 24,000
Efficiencies NG/LP	74.36% / 76.38%
ENGERGUIDE P.4	74.36% / 76.38%
Valve System	IPI
Refractory Options (Required)	Herringbone, Traditional Brick, Enamel
Accent Light Kit	Standard
Fan Kit	Standard
Screen Front	Required
Heat Duct Kit(s)	Optional

Features, Options & Specifications are subject to change.

Refer to the installation manuals for complete installation & venting requirements. See additional mantel clearance configurations in the installation manual.

The Alpha 36S is a clean-face traditional looking fireplace, removing the conventional framed face offers an unobstructed view of the fire that provides the most realistic classic woodburning look available, and the benefit of enhanced radiant heat and efficiency. The Alpha 36S comes with the Komfort Kontrol remote. The Alpha 36S is available in an arched or rectangular opening and has multiple design options to customize your fireplace.



Fronts



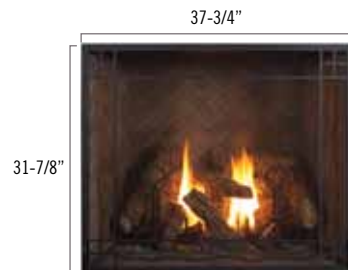
31-7/8"

Décor Design screen front with Herringbone refractory and optional Diamond andirons



31-9/16"

Arched Décor Design screen front with Traditional Brick refractory and optional Circle andirons



31-7/8"

Rectangular Mission Design screen front with Herringbone refractory and optional Diamond andirons



31-9/16"

Arched Mission Design screen front with Traditional Brick refractory and optional Circle andirons

Refractory Options



Herringbone



Traditional Brick



Enamel

Finish Options



Black

Vent System Approval & Requirements

This fireplace is manufactured to accept 5" x 8" pipe only.

- Simpson Dura-Vent™ DV-PRO Pipe - 5" x 8"
- Selkirk Metalbestos™ Direct Chimney System - 5" x 8"
- Ameri-Vent/American Metal™ Direct Chimney System - 5" x 8"
- Metal Fab™ 5" x 8"
- Security™ 5" x 8"
- ICC™ 5" x 8"
- Kozy Heat™ Flexible #800 series Vent Kits* - 5" x 8"
- BDM™ Direct Vent Chimney System - 5" x 8"
- RLH™ Direct Vent Chimney System (vertical only) - 5" x 8"

IMPORTANT: Kozy Heat part #800-WPT or #800-WPT2, must be used on ALL Horizontal vent runs. The included Horizontal Vent Heat Shield must be installed when incorporating minimum horizontal venting. This applies to NG and LP minimum horizontal venting configurations.

Elbows: For each additional 90° elbow used after the first elbow, 3' must be subtracted from the maximum venting allowed. For each additional 45° elbow used after the first elbow, 1½' must be subtracted from the maximum venting allowed.

Note: (2) 45° elbows = (1) 90° elbow.

Horizontal Terminations

Minimum: 18" min vertical rise + 90° elbow + 9" minimum + vent cap

Maximum: 18" min vertical rise + 90° elbow + 20' maximum + vent cap

Vertical Terminations

Minimum: 4' + vent cap
Maximum: 50' + vent cap

Clearances

Model	Alpha 36S
From fireplace top to framing	5-5/16"
From fireplace left & Right sides & back standoffs	0"
Fireplace bottom standoffs to flooring	0"
Fireplace top to ceiling	30-5/16"
Fireplace side to adjacent sidewall	6"
Fireplace front to combustibles	36"
Mantel 9" deep from floor fireplace is sitting on	47"

Every unit factory tested

In order to continually provide the highest quality product available, features/options, specifications & dimensions are subject to change. Refer to the unit installation manual for complete installation instructions. Installation must conform with local building codes. **In some regions it may be possible that this appliance qualifies for an energy rebate. See your local dealer for details regarding promotions and qualifications.**

Manufactured by Hussong Mfg. Co., Inc.
204 Industrial Park Drive, Lakefield, MN 56150
Phone 1-800-253-4904 www.kozyheat.com

9-16



Product Line:



For complete information on the Kozy Heat product line, please contact us at: