

**KOZY HEAT**
FIREPLACES

Z 42 & Z 42-CD

EPA/WA Certified Zero Clearance
Woodburning Fireplaces



Z 42 CD (cast doors) shown
w/optional black grills

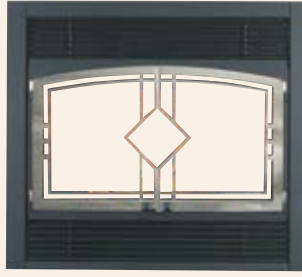
Warmth, coziness, style and quality. . .
From our family to yours.

Designer Options & Accessories

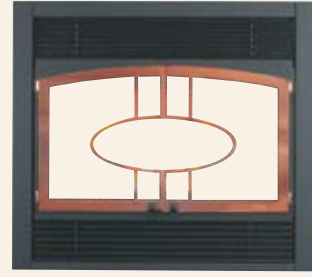
Doors



Black onyx Mission design



Brushed nickel diamond pattern

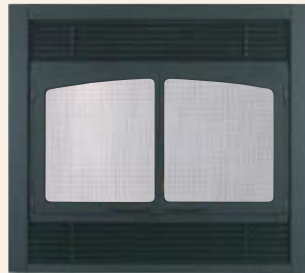


Antique copper oval pattern

*These decorative doors are for use with model #Z 42 single door only.
The above door styles are available in the three finishes shown, only black contains screen.*



Black Prairie screen door



Black screen door



Moose pattern

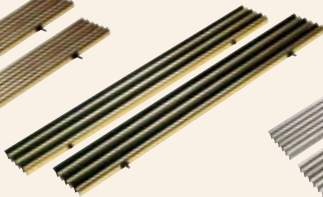


Deer w/broken tree pattern

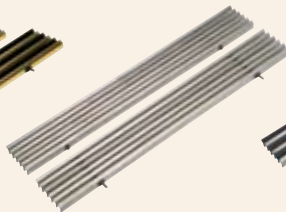
Grill Sets



Brass grills



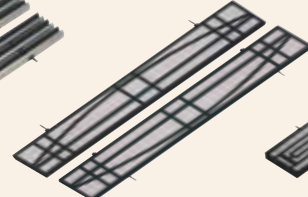
Brass accent grills



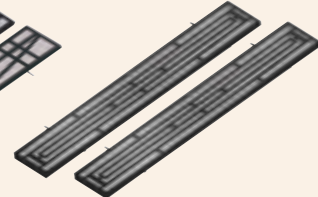
Brushed nickel grills



Brushed nickel
accent grills



Mission design grills



Prairie design grills

Black, chrome and chrome accent grills not shown



*Z 42 CD (cast doors)
with optional Mission
design grills*



Z 42 shown w/optional Prairie design screen doors and black grills



Z 42 shown standard with optional black grills



Z 42 shown w/optional black diamond doors and black grills

Good for the environment. . .

For a wood-fired hearth that's at home anywhere, look no further than Kozy Heat's Z 42 EPA Certified Fireplace. Kozy Heat's Z 42 Non-Catalytic fireplace decreases flammable creosote within the chimney by 90%, and burns up to 33% less fuel. The end result is a clean burn, more warmth with less wood. So relax, kick back and enjoy the flames, knowing you've done your part, not just for the environment, but for your fuel budget.

Model	Fuel Option	High	Low	Efficiency
Z 42	Wood	60,000	8,000	63%
Z 42-CD*	Wood	60,000	8,000	63%

*Cast Doors

Standard Features

- EPA/WA Certified/Non-Catalytic (EPA emissions rate 3.34 g/hr.)
 - High quality pyro-ceram glass 15-1/2" x 28" (Z42) 12" x 14" (Z42-CD)
 - Arched glass valance (Z42)
 - Large burning area - fits up to 22" logs
 - Air-seal 10 ga. steel door (Z42)
 - Twin air-seal cast iron doors (Z42-CD)
 - Adapts to 6" Class "A" HT-Type (2,100") all fuel chimney
 - Zero clearance
 - 10 year limited warranty
 - (2) heat duct knock-outs for optional ducting (#970 kit required)
 - Air-wash system (keeps viewing area cleaner)*
- *Although the air wash system assists in keeping the glass cleaner, regular cleaning and maintenance are required.

Optional Features

- Decorative grills (several styles/finishes available)
- Decorative screen doors (several styles/finishes available) Z42 only
- Fan kit with variable speed (2 - 110 CFM)
- 44" lintel iron
- 6" flexible heat duct kit

Safety

- Tested by Intertek Testing Services (formerly Warnock Hersey) Complies with U.L. 127 - U.L. Standard for Safety, Factory Built Fireplaces (6/98)
- U.L. 127 - 1999/CAN/ULC S610-M98 For US and Canadian Installations
- EPA certified
- Non-catalytic
- Sealed combustion chamber
- Uses 100% outside air for combustion
- High quality pyro-ceram glass

Specifications

- Height - 38"
- Width - 42"
- Depth - 26"
- Weight - 525 lbs.
- 2.98 cu. ft. firebox

Clearances

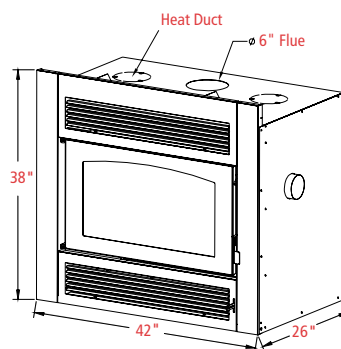
Within Enclosure Area:

- Unit to back wall 0"
- Unit to side wall 0"
- Duct boots to framing 0"
- Top stand-off to header 0"

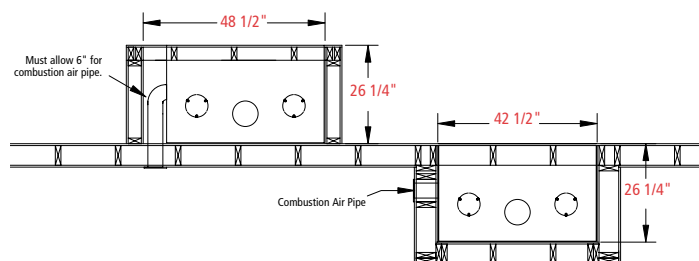
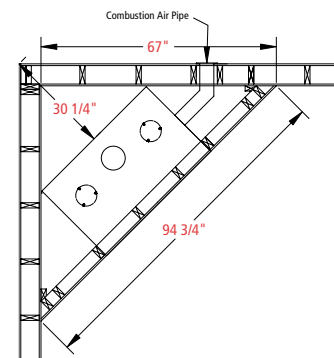
Exposed Area:

- Wallboard to faceplate top edge/sides** 0"
- Fuel door to an adjacent sidewall 8"
- Unit front 36"
- Top of fireplace face to an 8" mantel** 12"
- Remote outlet air grill to ceiling 2"

**Refer to the Mantel Projection Chart on pg. 2 of installation manual



(Model Z 42)



For complete information and installation instructions, contact your Kozy Heat Dealer at:



Manufactured by Hussong Mfg. Co. Inc.
204 Industrial Park Drive, Lakefield, MN 56150
Phone 1-800-253-4904 www.kozyheat.com