



KOZY HEAT
FIREPLACES

Model #OLV-PC Olivia
Corn / Pellet Stove

INSTALLATION MANUAL



Please read this entire manual before installation and use of the corn / pellet fuel burning room heater. Failure to follow these instructions could result in property damage, bodily injury or even death.

This stove must only be installed with factory approved and tested components. Use of components not tested and approved for use with this stove or using another manufacturer's components may result in a fire or safety hazard and voids all warranty.

Contact local building or fire officials about restrictions and installation inspection requirements in your area.

SAVE THESE INSTRUCTIONS

INDEX

Safety Testing	1-2
Approved Venting Components	2-5
Mobile Home Installations	5
Specifications	6
Clearance to Combustibles	7
Venting Illustrations	8
Venting Termination Requirements	9
Minimum Clearance Locations from Exhaust Terminations	10
Combustion Air Requirements	11
Electrical Components & Wiring Schematic	12
Thermostat Installation (Optional)	13
Completing the Installation: Negative Pressure Check	14
Warranty Information	14
Homeowner Training Session	14
Warranty Policy	15

SAFETY TESTING

The corn/pellet stove, Model #OLV-PC 'Olivia', has been tested and certified by OMNI-Test Laboratories, Inc., Beaverton, Oregon, to comply with ASTM E1509-04, ULC-C1482, ULC-S627 'Tested & Certified Room Heater, Pellet Fuel-Burning Type'. Also for use in Mobile Homes. Installation must conform with applicable requirements of NFPA 211, and applicable building & mechanical codes. In Canada, installation must conform with the CAN/CSA B365, Installation Code for Solid Fuel Burning Appliances and Equipment and applicable building codes.

SAFETY & INSTALLATION PRECAUTIONS

- ◆ DO NOT CONNECT THIS UNIT TO A CHIMNEY FLUE SERVING ANOTHER APPLIANCE.
- ◆ DO NOT INSTALL A FLUE DAMPER IN THE EXHAUST VENTING SYSTEM OF THIS UNIT.
- ◆ This stove's exhaust system operates under negative pressure in the combustion chamber and positive pressure in the chimney. It is imperative that the vent system used on this stove is properly installed and airtight. Do not install a damper in the exhaust system of this stove.
- ◆ Smoke detectors installed in the same room as this stove may activate if smoke from the firebox is allowed to enter the room or if the ash drawer is smoking when it is emptied.
- ◆ When installed in a manufactured home:

CAUTION: THE STRUCTURAL INTEGRITY OF THE MANUFACTURED HOME FLOOR, WALL, AND CEILING/ROOF MUST BE MAINTAINED.

WARNING: DO NOT INSTALL IN SLEEPING ROOM.

- ◆ **CANADIAN INSTALLATIONS:** Clearances may only be reduced by means approved by the regulatory authority.
- ◆ Contact the local building official to obtain a permit and information on any local installation restrictions and inspection requirements.
- ◆ This stove is approved for U.S. & Canadian conventional & mobile home installations.

VENT SYSTEM REQUIREMENTS

- ◆ Type 'L' vent systems must be used. Follow vent manufacturer's clearance requirements. Refer to local building codes, appliance and vent system manufacturer's instructions for precautions required when passing through a combustible wall or ceiling.
- ◆ This stove utilizes 3" exhaust pipe. Use the appropriate adaptor for proper connection to the 3" exhaust collar at the back of the stove.
- ◆ Outside air is required for proper operation of this stove. The connection at the back of the stove is 2" O.D. Use the appropriate adaptor to properly reduce the outside air pipe for connection at the back of the stove.

- ◆ All joints for connector pipe shall be required to be fastened with at least (3) screws. If vented horizontally, joints shall be made gas tight using high temp sealant, RTV, or metal tape at each joint.
- ◆ A clean out 'tee' must be installed directly to the stove and at the bottom of each vertical run of the vent (exhaust) system. The tees will provide easy access for cleaning the vent system. Single or double clean-out tee may be used. THE EXHAUST SYSTEM MUST BE INSTALLED SO THE ENTIRE SYSTEM MAY BE CLEANED WITHOUT DISASSEMBLY.
- ◆ **CANADIAN INSTALLATIONS:** CAUTION: DO NOT CONNECT TO ANY AIR DISTRIBUTION DUCT OR SYSTEM.
- ◆ **CANADIAN INSTALLATIONS:** Where passage through a wall or partition of combustible construction is desired, the installation shall conform to CAN/CSA-B365.
- ◆ **CAUTION:** DO NOT BURN GARBAGE OR FLAMMABLE FLUIDS SUCH AS GASOLINE, NAPHTHA OR ENGINE OIL.
- ◆ Inspect and clean exhaust venting system frequently.
- ◆ It is recommended that the vent system be installed with a minimum vertical rise of 3 feet above the stove exhaust connection.

Failure to provide adequate natural draft (vertical rise) may result in smoke being released into the house when electricity to the stove is interrupted while burning or smoldering corn remains in the burn pot.

- ◆ Increasing the vertical exhaust system is recommended when: Using more than (1) elbow or tee
Horizontal run is over (3) feet.
- ◆ Horizontal terminations: The exhaust pipe must be terminated by a listed end cap or a 'L' vent elbow (45 or 90 degree). End caps or elbows must vent exhaust gases away from the building.
- ◆ Terminations above the roof line require a rain cap.

APPROVED VENTING COMPONENTS:

This stove has been tested and approved for use with the Type 'L' Simpson Dura-Vent Corn vent system and Selkirk Metalbestos Direct-Temp direct vent system. Alternate brands may be used provided they are approved by a certified testing agency as a Type 'L' system.

Simpson Dura-Vent Pellet vent system components:



Single Tee with Clean-out Tee Cap -
Creates 90° offset with clean-out access.



**Stove pipe adaptor
& adapter/increaser**



Double Tee with Clean-out cap
Allows clean-out access for horizontal
and vertical installations.



Straight Pipe Length - Available in 6", 1', 2', 3, and 5' lengths.



Adjustable Length Pipe - Provides 3" - 10" of adjustment when used with rigid sections of pipe.



Wall Thimble



45° Elbow



90° Elbow



Ceiling Support Firestop Spacer



Square Horizontal Cap



Round Horizontal Cap



Attic Insulation Shield - Used for installations that pass through an attic. Note: In Canada, Attic insulation shield does not provide sufficient clearance - 3" is required.



Tee Support Bracket



Storm Collar

Selkirk Metalbestos Direct Temp vent system components:



Pellet Stove Adaptor - Allows pellet stove to connect to Direct-Temp vent system.



Pellet Stove Termination Adapter - Used in conjunction with horizontal exit cap, decorative cap, or vertical cap.



Tee with Tee cap



45° Horizontal Termination Elbow - Used in conjunction with the exit cap or decorative cone cap.



Decorative Cone Cap



Exit Cap



Vertical Cap



45° Elbow



90° Elbow



Wall Thimble



Combustion Air Kit



Pipe Section
Adjustable pipe section

IMPORTANT: Installation must comply with the vent pipe manufacturer's installation instructions, the requirements / restrictions as outlined in this installation manual and local building codes.

MOBILE HOME INSTALLATIONS

The stove may be installed in a permanently located, manufactured or mobile home where not prohibited by local codes.

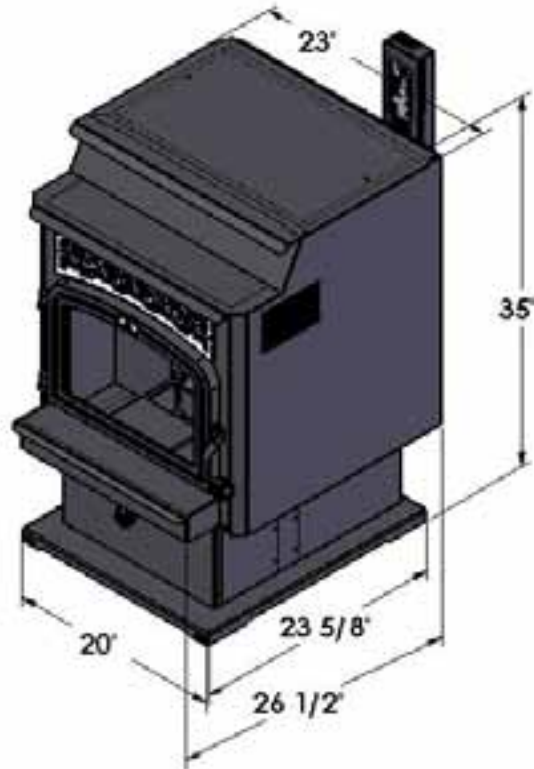
The following requirements must be followed:

1. Outside combustion air for all installation types is required for proper operation of this stove.
2. Do not over fire this stove and use highly volatile fuel or combustible material in this stove.
2. **WARNING:** DO NOT INSTALL IN A SLEEPING ROOM.
3. **CAUTION:** THE STRUCTURAL INTEGRITY OF THE FLOORS, WALLS, CEILINGS AND ROOF MUST BE MAINTAINED.
4. Permanently bolt the stove to the floor. Floor protection requirements must be followed.
5. Electrically ground the stove and pedestal to the metal chassis of the home. Use a number 18 gauge or larger copper wire.
6. Maintain an effective vapor barrier at location where 'L' vent exits the structure.
7. Check local codes for additional requirements / restrictions concerning mobile home installations.
8. 'L' Vent must be used for exhaust venting. (Single wall vent is not allowed.) Follow 'L' Vent manufacturer's installation directions and observe all listed clearances to combustibles.

SPECIFICATIONS:

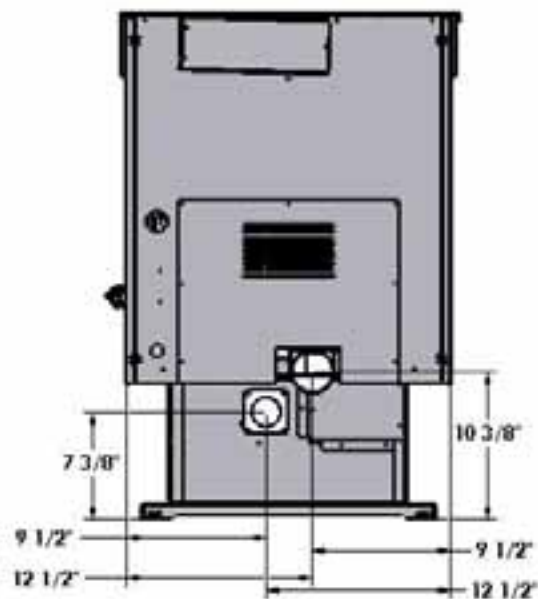
Height : 35"
Width: 23"
Depth: 26 1/2"

Base width: 20"
Base depth: 23 5/8"



Center of intake collar from right side: 12 1/2"
Center of intake collar from left side: 9 1/2"
Center of intake collar from floor: 7 3/8"

Center of exhaust collar from right side: 9 1/2"
Center of exhaust collar from left side: 12 1/2"
Center of exhaust collar from floor: 10 3/8"



CLEARANCE TO COMBUSTIBLE MATERIALS:

The installation of this free-standing stove must meet the following minimum clearance requirements:

- Sides of stove: 3"
- Back of Stove 3"
- Corner of stove 3"
- Stove to mantel

- From Dura-Vent Pellet Vent pipe 1"
- From Selkirk Metalbestos Vent pipe 1"

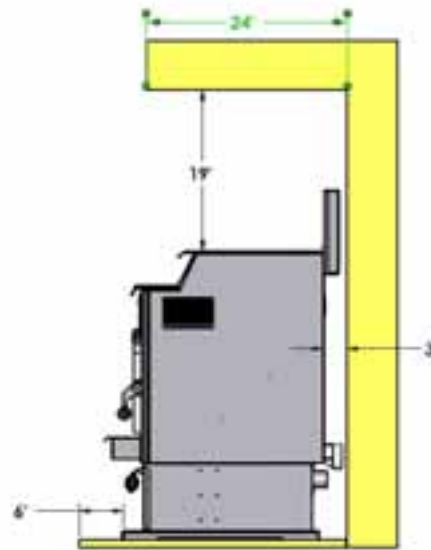
NOTE: INSTALL VENT AT CLEARANCES SPECIFIED BY THE VENT MANUFACTURER.

- Floor protection; Front (from faceplate) 6"
- Floor protection from sides from door opening 3"
- Floor protection from back of stove -
 - * Must extend to wall if vent system horizontally exits thru wall.

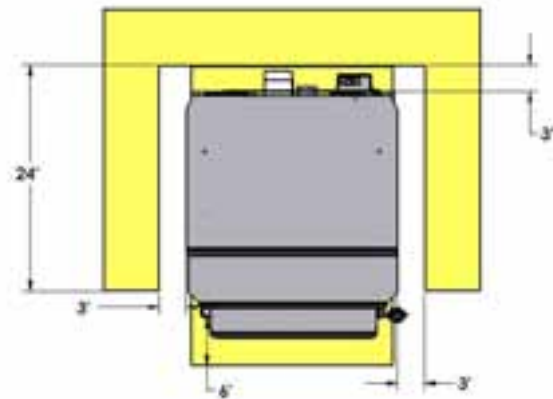
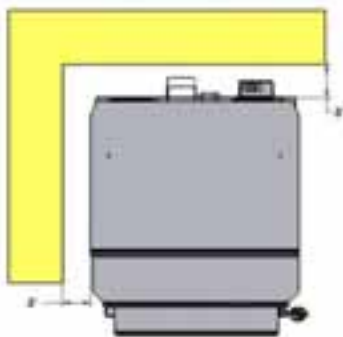
- * Must extend under 'tee' if vertical pipe is on the interior.

Alcove Installations:

- Minimum height from top of stove: 19"
- Alcove: side, back 3"
- Maximum Alcove depth 24"



Alcove Installation

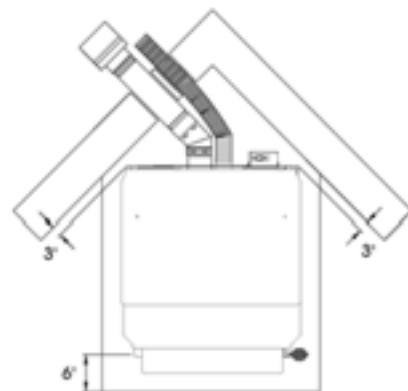


Alcove Installation

FLOOR PROTECTION:

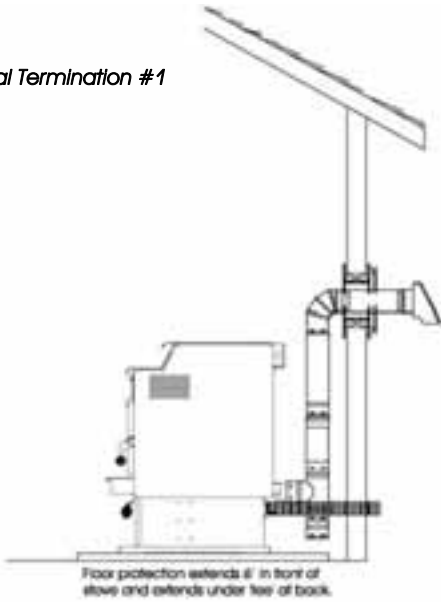
- ◆ This stove must be installed on non-combustible material and:
 - Extends 6" beyond the front of the faceplate
 - Extends to the wall if vent system horizontally exits thru wall.
 - Extends under 'tee' if vertical pipe is on the interior.

Refer to page #8 for illustrations.

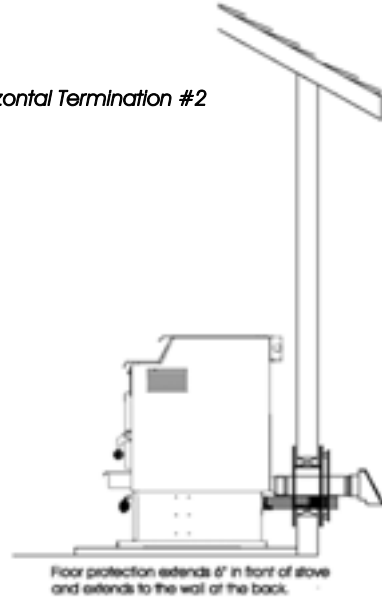


VENTING ILLUSTRATIONS:

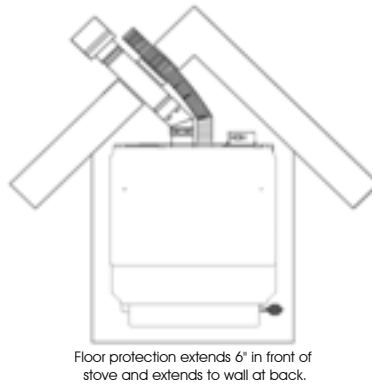
Horizontal Termination #1



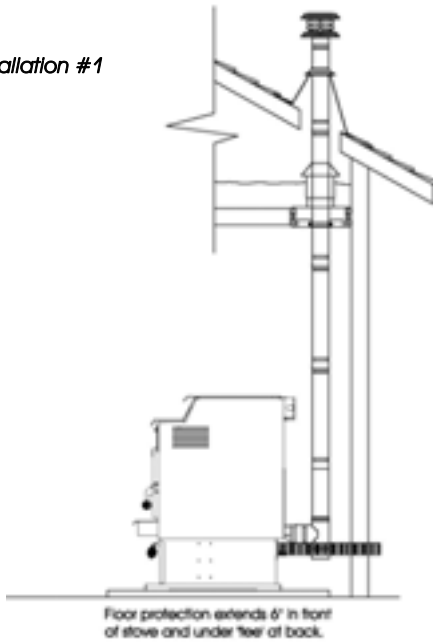
Horizontal Termination #2



Typical Corner Installation

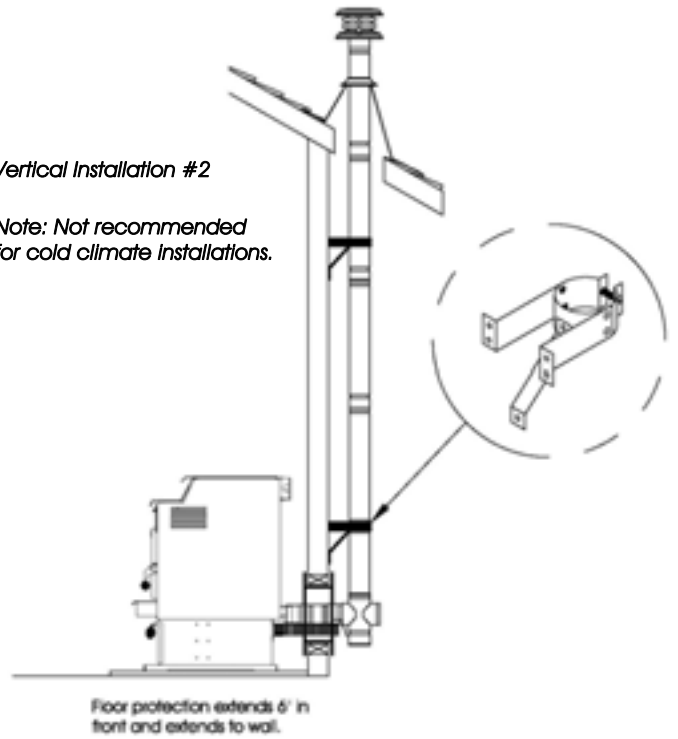


Vertical Installation #1



Vertical Installation #2

Note: Not recommended for cold climate installations.



VENTING TERMINATION REQUIREMENTS:

MAXIMUM HORIZONTAL RUN: 9 FT.

MAXIMUM VERTICAL RUN: 36 FT.

Determine the best location for the vent termination cap. Items to consider:

- ◆ **Distances from air inlets** - Installation must comply with the requirements in this installation manual, the requirements of the vent system you are using and local building codes.
- ◆ **Prevailing winds** - When terminating where prevailing winds would blow against the termination cap, sporadic operation of this stove may result which may include excessive smoking inside the firebox.
- ◆ **Location of adjacent structures** - Installation must comply with the requirements in this installation manual, the requirements of the vent system you are using and local building codes.
- ◆ **Local code requirements** - Check local building codes for additional requirements and/or restrictions concerning installation of a corn / pellet burning stove.

Exhaust must terminate above the combustion air inlet.

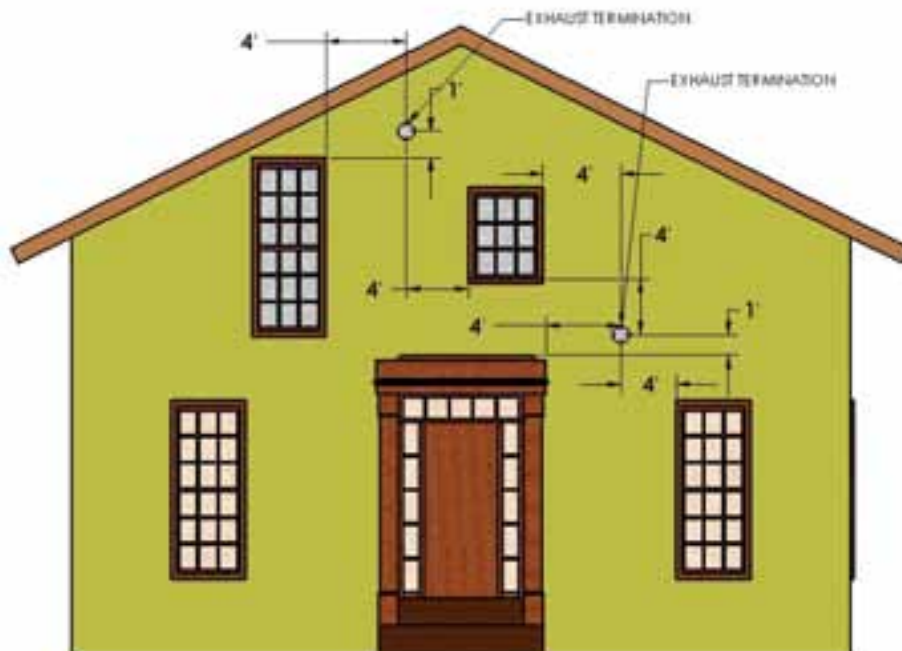
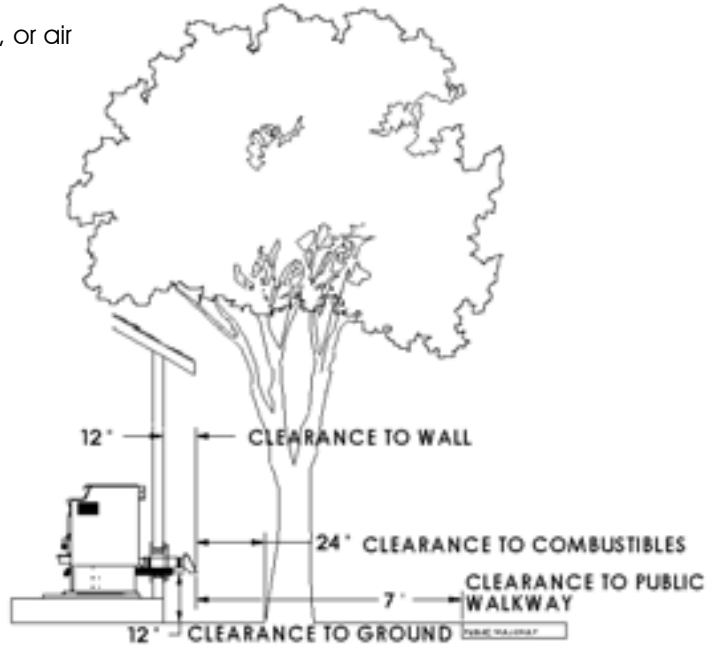
Do not terminate vent in any enclosed or semi-enclosed area (i.e. Garage, Attic, Crawl space, etc.) or any area which would build up a concentration of fumes.

Vent surface can get hot enough to cause burns if touched by children. Use non-combustible guards or shields if necessary.

Combustion air must be connected to an outside source and not drawn from the indoor living environment, garage, attics, crawl spaces and the like.

MINIMUM CLEARANCE LOCATION FROM EXHAUST TERMINATION:

1. Above ground level: 12" (305 mm)
2. From a public walkway: 7' (2.1 m)
3. From the wall penetration point: 12" (305 mm)
4. From any adjacent combustibles - i.e.: fences, adjacent buildings, protruding parts of the structure, roof eaves or overhangs, plants, shrubs: 24" (610 mm)
5. Below a door, window, cavity, or air vent: 4' (1.2 m)
6. Horizontally from a door, window, cavity, or air vent: 4' (1.2 m)
7. Above a door, window, cavity, or air vent: 12" (305 mm)



NOTE: The clearances listed above have been pre-determined by the ASTM Safety Standard and pertain to all similar products.

COMBUSTION AIR REQUIREMENTS

This stove requires the use of outside air for combustion. A 2" diameter aluminum flex pipe 4 ft. long is included with this stove to connect to the 2" collar located at the back.

WARNING: THE COMBUSTION AIR PIPE MUST BE PROPERLY CONNECTED AND TERMINATED TO THE OUTDOORS FOR PROPER PERFORMANCE.

- ◆ Attach the 2" aluminum flex pipe over the collar at the back of the fireplace. Seal the connection.
- ◆ Do not crush or bend the aluminum flex pipe with too small a radius as this will block the flow of combustion air and result in poor operation of the stove.
- ◆ Use of a hood for protection against wind and weather is recommended.
- ◆ An open mesh screen, no smaller than 1/4" x 1/4" should be placed over the outside air pipe opening to prevent birds, rodents or insects entering the opening.
- ◆ Locate the outside air pipe termination (and hood) above maximum snow depth.
- ◆ Terminate the shortest distance possible. If the combustion air pipe length is over 10 ft., it is suggested to increase to a 3" diameter pipe.
- ◆ The outside air must terminate below the exhaust outlet.

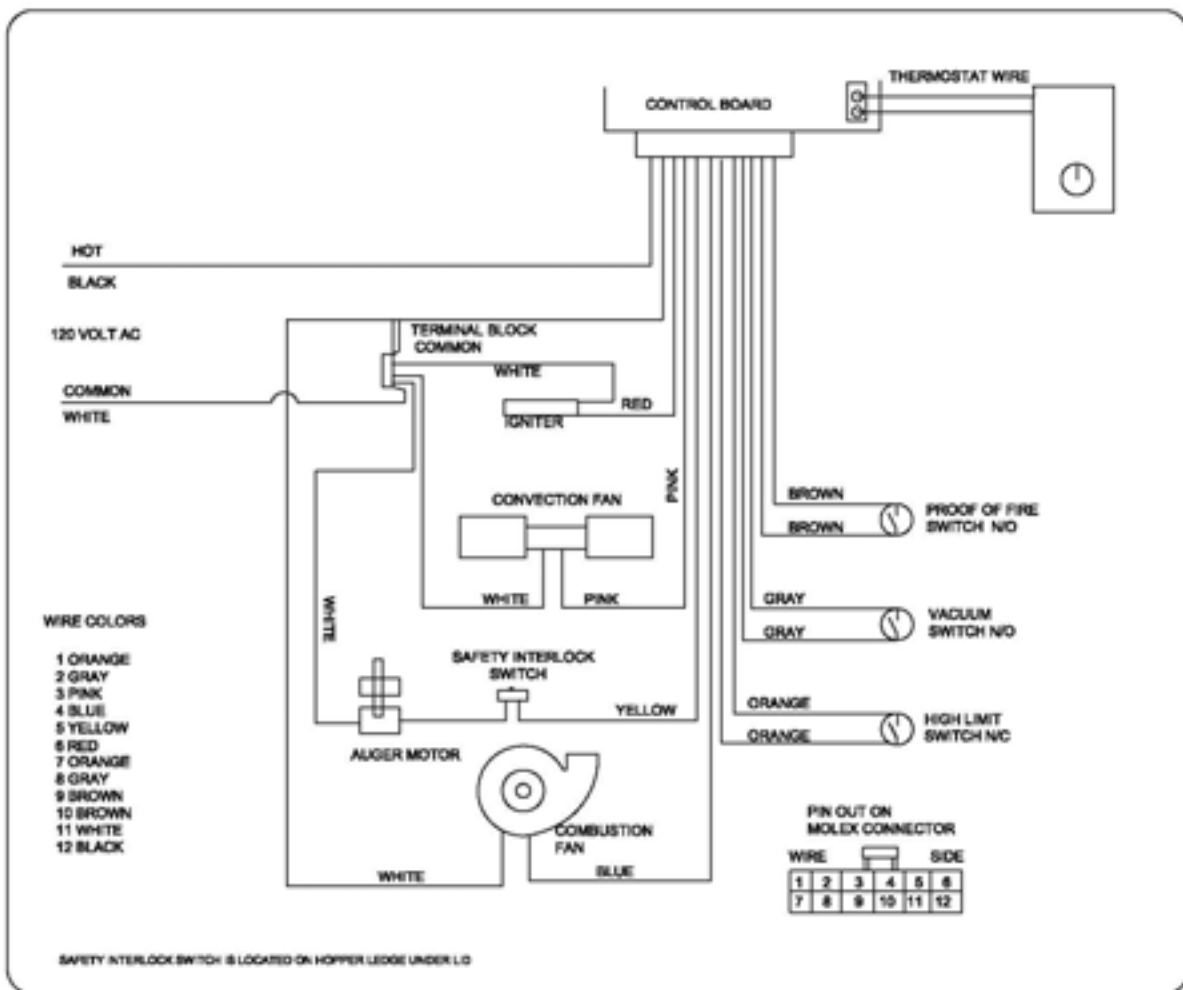
ELECTRICAL COMPONENTS

This stove includes a combustion fan and room air fan with a 3-prong (grounding) plug. The fan must be plugged into a properly ground 3-prong outlet. The current required is approximately 3 amps (5 amps with the igniter is in operation).

Run the power cord to the nearest outlet. Do not allow fan cord to come in contact with any hot or sharp surfaces on the stove.

When this stove is installed in a mobile home, it must be electrically grounded to the steel chassis of the home and bolted to the floor, according to building code requirements.

Canadian Installations: The electrical installation must be in compliance with the applicable requirements of CSA C22.2.



Wiring Schematic

THERMOSTAT INSTALLATION (Optional)

An optional thermostat is available for use on this stove. A thermostat will maintain a constant level of heat, resulting in optimal fuel consumption, ultimately lowering heat costs.

This stove is pre-wired and capable of operating on a thermostat. A feature has been built into the circuit control board which delays the time between each heat setting to allow for the stove to react at each subsequent level. It will take the stove approximately 2-5 minutes for the control board to operate at the full capacity for the heat level it has been set to.

As the room temperature falls below the thermostat temperature setting, the stove will operate at one of the (5) settings previously chosen. When the room temperature reaches the thermostat set temperature, the stove will automatically operate at the lowest setting (#1).

THERMOSTAT HOOK-UP:

1. Install the thermostat by connecting the wires from the thermostat to the external wire terminal block on the back of the stove

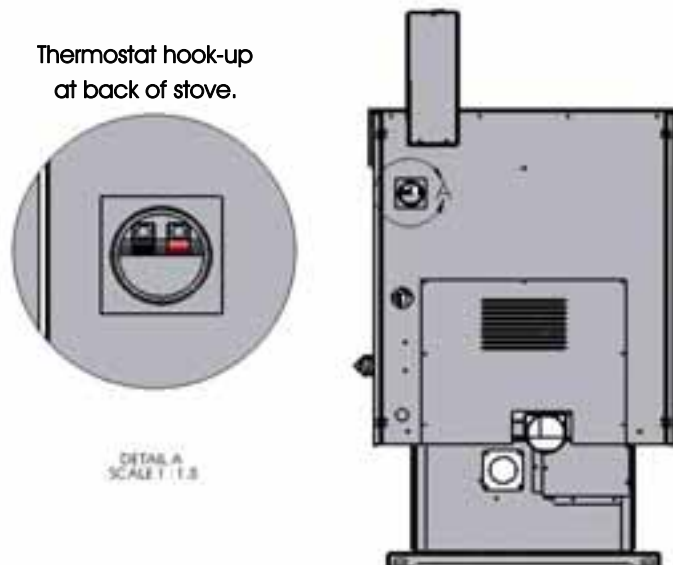
The external terminal has been pre-wired to the thermostat wire hook-up on the back of the control board.

Do not remove the jumper if a thermostat is not being used. If the jumper has been removed and the control circuit board is set the 'thermostat' the stove will only operate on low even though it is set on high.

2. NOTE: Installer must determine a neutral location of where to mount the thermostat panel in order for accurate room temperature readings.

Thermostat settings:

1. Set the thermostat to desired setting, once the stove has been successfully lit.
2. Set the heat selector on the control board so that the room temperature will rise above the thermostat setting.



COMPLETING THE INSTALLATION

Negative Pressure check: A negative pressure check must be completed to verify proper operating conditions have been met. This reading must be written on the warranty card to validate the warranty.

Procedure:

1. Open the right side and panel to access the vacuum switch and connections.

NOTE: The side panels are removable for easier access. Open the panel approximately 12" and lift the panel off the hinges at the back.

2. Disconnect the black hose from the fitting at the side of the stove.
2. Attach manometer hose to the fitting. The pressure should read '0'.
3. Press on the 'On/Off' button on the control board. You will have approximately 30 seconds to obtain the water column reading on the manometer.

NOTE: The reading should be .10" w.c. or more negative pressure. Once draft is established, the reading will be 0.24" w.c. or higher negative pressure.

IMPORTANT: The negative pressure must always be above 0.05" w.c. for operation of the control circuit board.

4. The #2 LED light will turn on. This is because the vacuum switch has been temporarily disconnected.
5. Depress the 'On/Off' button the control circuit board. The board will then reset when it is depressed to the 'On' position when lighting the stove.
6. Disconnect manometer hose from the fitting.
7. Attach black hose from vacuum switch to the fitting.

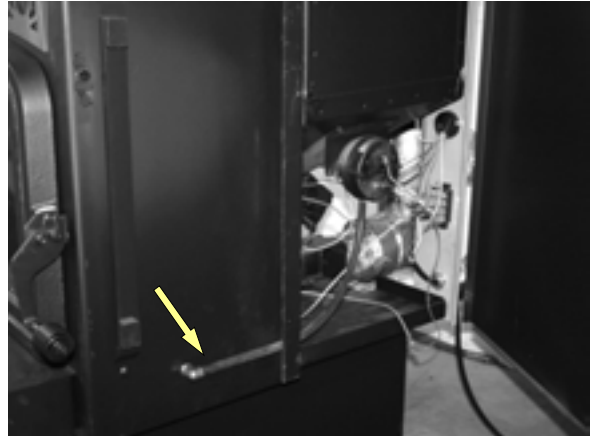
NEGATIVE PRESSURE READING: _____

____ Warranty information completed:

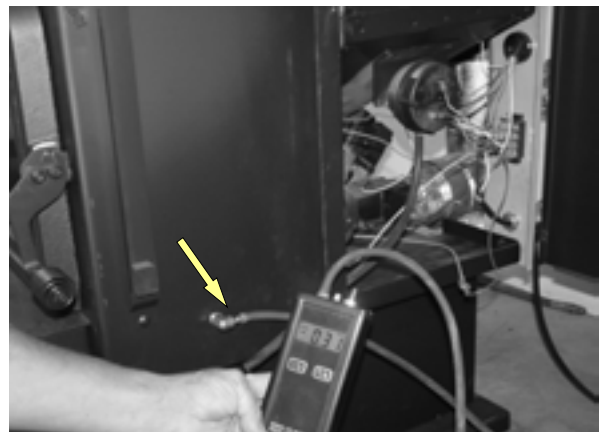
____ Homeowner training session completed.

Serial # _____

Date of Purchase: _____



Disconnect black hose from the fitting.



Attach manometer hose to the fitting.



6 YEAR LIMITED WARRANTY

This 6 Year Limited Warranty, subject to the conditions, exclusions and requirements listed below, will not become effective until the warranty registration form has been completed and mailed to Hussong Manufacturing Co., Inc., P.O. Box 577, Lakefield, MN 56150. This registration form must be received within 30 days of installation. Failure to do so may result in delayed warranty coverage.

Hussong Manufacturing Co., Inc. warrants to the original purchaser of the Kozy Heat Model #OLV-PC 'Olivia' Corn/Pellet Stove, that it is free of defects in materials and workmanship at the time of manufacture.

1 YEAR: This stove is warranted for the first year from date of purchase against defects and workmanship on all steel components, . Hussong Manufacturing Co., Inc. shall, at Hussong Manufacturing Co., Inc.'s expense, including reasonable labor costs, repair or replace any defective component, if a factory pre-authorization is given for the repair.

2 YEARS: Electrical Components: This stove's electrical components is warranted against defects and failures for 2 years from date of purchase. Hussong Manufacturing Co., Inc., will at its discretion, replace or repair any such defect of electrical components, including optional components. Hussong Manufacturing Co., Inc. shall not be responsible for any installation, labor, transportation or other indirect costs after the first year from date of purchase.

YEARS 2-6: From the first day of the second year through the 6th year, , Hussong Manufacturing Co., Inc. shall, at it's discretion, repair or replace any defective component, if a factory pre-authorization is given for the repair or replacement. Hussong Manufacturing Co., Inc. shall not be responsible for any installation, labor, transportation or other indirect costs .

LIMITATION OF LIABILITY

To make a claim under this warranty, the purchaser must first contact the dealer/installer from whom this stove was purchased.

This limited warranty will be void if this stove is not installed, according to the installation instructions provided. This limited warranty is also void if the stove is not operated and maintained according to the Operating & Maintenance manual provided with this stove. Use of unauthorized components will make this warranty null and void.

This warranty is limited to defects in material and workmanship. It does not apply to any product that has been subject to negligence, misapplication, improper installation. Products made by other manufactures are NOT covered by this Limited Warranty, regardless of whether they were purchase with the fireplace or later added.

No person is authorized to extend the time of this warranty or to accept on Hussong Manufacturing Co., Inc.'s behalf any additional obligation of liability connected with the unit.

It is expressly agreed and understood that this warranty is Hussong Manufacturing Co., Inc.'s sole obligation and purchaser's exclusive remedy for defective stove equipment. Hussong Manufacturing Co., Inc. shall not be liable for any consequential, incidental or contingent damages whatsoever. The foregoing warranty is exclusive and in lieu of all other expressed warranties. Hussong Manufacturing Co., Inc. shall not be held to implied warranties, including but not limited to the implied warranties or merchantability and fitness for a particular purpose. This warranty replaces all previous warranty policies.

Some states do not allow the exclusion or limitation of incidental or consequential damages or limitations on how long an implied warranty lasts, so the above limitations or exclusions may not apply to you. This warranty gives you specific legal rights and you may also have other rights which vary from state to state.

Hussong Manufacturing Co., Inc. reserves the right to make changes at any time, without notice, in design, material, specifications and prices. Hussong Manufacturing Co., Inc. reserves the right to discontinue models and products.

WARRANTY CONDITIONS, EXCLUSIONS & REQUIREMENTS:

1. You are the original purchaser. This warranty is not transferable.
2. Installation, operation and maintenance must comply with the installation instructions and operation & maintenance manual provided with this stove.
3. Glass is covered for 1 year from date of purchase.
4. Paint and glass gaskets are covered for 30 days from date of purchase.
5. The optional log set shall be covered under the 6 year limited warranty. Labor coverage for log replacement is 1 year from date of purchase.
6. Components (including glass panel) broken, during shipping, careless handling of components, or defects resulting from improper installation, misuse of the fireplace and components are not covered under this warranty.
7. This warranty does not cover any parts or components which have been exposed to or submerged under water.
8. Hussong Manufacturing Co., Inc. must be notified by the dealer this stove was purchased from or a service technician of the defect.
9. All previous warranty/service has been performed by a qualified service technician. (Copies of such service records may be required to claim a warranty.)

