



Shown w/Arched Prairie pattern full door shroud

Warmth, coziness, style and quality. . .
From our family to yours.

Designer Options & Accessories

Three Piece Shrouds/Door Shrouds



Standard three piece shroud



Colonial shroud



Colonial shroud w/three piece magnetic appliques



Drake pattern full door shroud



Arched Drake pattern full door shroud



Arched Prairie pattern full door shroud



Rectangular Prairie pattern full door shroud



Mission bifold doors



Mission design doors



Mission design doors antique copper



Mission design doors brushed nickel

The above door finishes are lightened in this literature to show distinct details of each face.

Controls



Wall mount thermostat



Wireless wall mount thermostat



Wireless wall switch



Remote control



Kozy kontrol

Refractories



Brick refractory



Red brick refractory (optional)

Door Finishes



Titanium finish



Rust finish



Shown w/Mission bifold doors



Shown w/Mission design doors



*Shown w/Rectangular
Prairie pattern full
door shroud*

Chaska Series Gas Inserts

Quality Fireplaces for Life

Model	Fuel Option	High	Low
Chaska	NG	27,500	19,000
Chaska	LP	28,000	20,400
Chaska XL	NG	36,500	22,000
Chaska XL	LP	36,000	22,000

Chaska Radiant* and Chaska XL Radiant*

*Radiant models do not include fan

Standard Features

- Efficiency rating: NG - 79% LP - 79% (Chaska)
- Efficiency rating: NG - 75% LP - 80% (Chaska XL)
(Steady state efficiency at high burn, In-House testing)
- Canada P-4 approved
- High quality lifetime ceramic glass: 14 1/4" x 29" (Chaska)
- High quality lifetime ceramic glass: 18" x 32" (Chaska XL)
- Refractory brick lining
- Quick-latch glass / pressure relief system
- Co-linear vent system - 3" combustion air / 3" exhaust
- Innovative vent connection system
- Engineer-designed burner system
- Fan kit with variable speed control (2 - 75 CFM) except Radiant models
- RF models only - modulating valve system w/fan and flame adjustment, remote control (Kozy control)
- Upper grill/hood and lower grill (black) included
- Minnesota Energy Code compliant to 50 pascals

Optional Features

- Full door shroud designs
- Three (3 pc.) standard size shrouds and custom shrouds
- Chaska surrounds available: 25" x 38"; 27 1/2" x 42"; and 30" x 44"
- Chaska XL surrounds available: 27" x 40"; 30" x 44"; and 33" x 46"
- Mission design doors - also available in antique copper and brushed nickel
- Available finishes black, rust or titanium
- Non-RF units only: remote control or thermostatic remote control
- Non-RF units only: wall thermostat / wireless wall mount thermostat
- Red brick refractory

Safety

- Each unit factory tested!
- Tested by OMNI-Test Laboratories complies with ANSI-Z21.88a-2007•CSA 2.33a-2007 'Vented Gas Fireplace Heaters'
- U.S. & Canadian installation approved
- Sealed combustion chamber with standing pilot ignition
- Removable millivolt board with 30-second safety pilot
- Requires NO ELECTRICITY to operate - excluding fan
- Automatic pressure relief glass system
- Bedroom & mobile home approved

Minimum Dimensions

Chaska

Existing Fireplace Opening:

- Height: 19 1/2"
- Width: 31"
- Depth: 15 1/4"

Existing Chimney:

- Class 'A' metal chimney or masonry chimney: 7" I.D.
- Minimum chimney height: 12'
- Maximum chimney height: 30'

Chaska XL

Existing Fireplace Opening:

- Height: 23 1/2"
- Width: 33 1/2"
- Depth: 16 1/2"

Existing Chimney:

- Class 'A' metal chimney or masonry chimney: 7" I.D.
- Minimum chimney height: 12'
- Maximum chimney height: 35'

Specifications

Chaska

- Height: 19 1/4"
- Depth: 14 1/2"
- Width: 30 7/8"
- Weight: 140 lbs.
- Back Width: 23 1/8"

Chaska XL

- Height: 23"
- Depth: 16"
- Width: 33 3/8"
- Weight: 158 lbs.
- Back Width: 24 3/8"

Clearances

Chaska

- From insert bottom to combustible floor in front. 3 1/2"
- From insert bottom underneath to combustible floor, using Kozy Heat insulation shield 0"
- From insert to sidewall 10"
- Insert top to 3/4" trim 8"
- Mantel 10" deep from top of insert* 13"

Chaska XL

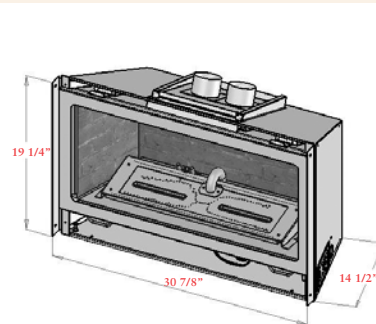
- From insert bottom to combustible floor in front. 6"
- From insert bottom underneath to combustible floor 0"
- From insert to sidewall 12"
- Insert top to 3/4" trim 12"
- Mantel 9" deep from top of insert* 16"

Vent System Approval & Requirements

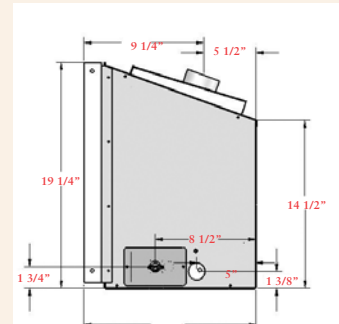
This fireplace is approved for use with the following co-linear flexible vent systems:

- Simpson Dura-Vent™ DV-GS - 3" x 3"
- Selkirk Metalbestos™ Direct Chimney System - 3" x 3"
- American Metal Products™ Ameri-Vent System - 3" x 3"
- Kozy Heat™ #816 co-linear vent flexible termination kit

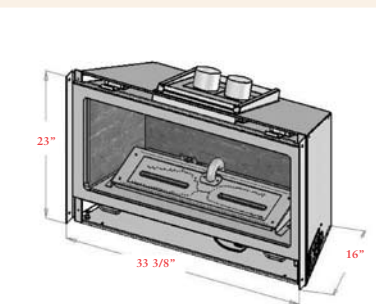
*Refer to the installation manual for complete installation and venting requirements.



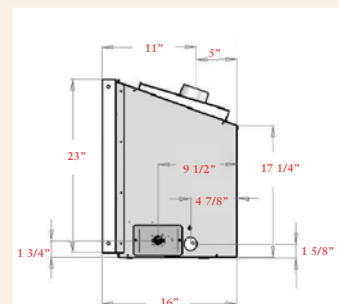
Chaska



Chaska



Chaska XL



Chaska XL



For complete information and installation instructions, contact your Kozy Heat Dealer at:

Manufactured by Hussong Mfg. Co. Inc.
204 Industrial Park Drive, Lakefield, MN 56150
Phone 1-800-253-4904 www.kozyheat.com

In order to continually provide the highest quality product available, specifications and dimensions are subject to change. Refer to the unit installation manual for complete installation instructions. Installation must conform with local building codes.