



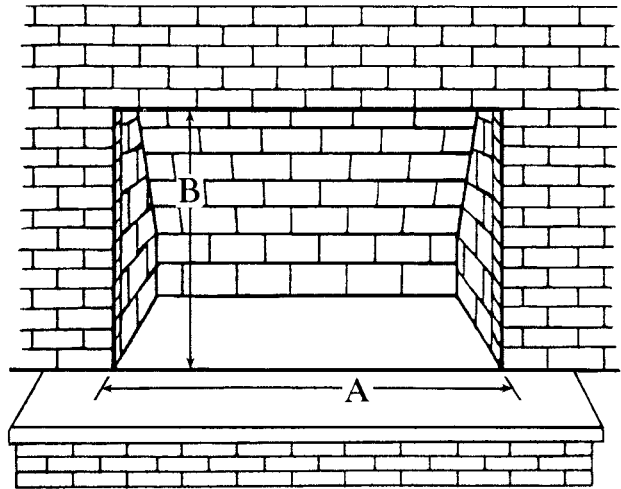
Air-Seal Door System

Air-Seal Cast Iron Door System

If your conventional masonry fireplace is giving you the cold shoulder, then Kozy Heat has the answer to your chilling dilemma. Kozy Heat's Air-Seal Door System seals masonry fireplaces. These airtight doors stop cold air drafts from invading your home and capture the warm air from your fireplace and prevent it from being lost up the chimney.

Features

- Cast iron doors-with positive locking spring handles
- Borofloat glass-engineered to withstand high temperatures
- High temperature rope gasket-ensuring a tight seal
- 1/4" plate steel face-with built-in flange and bolts for easy, safe installation
- Door systems include cast iron doors and mounting brackets, available with or without vents
- Doors without vents require another outside air source



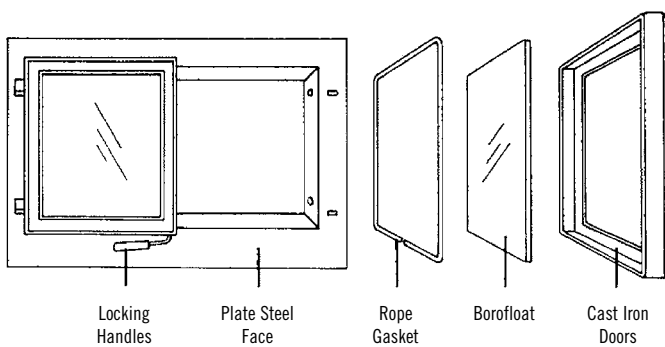
Choosing the Right Door System

For Masonry Fireplaces Only!

Measure your existing masonry fireplace.

Measurements are: _____" Wide (A)

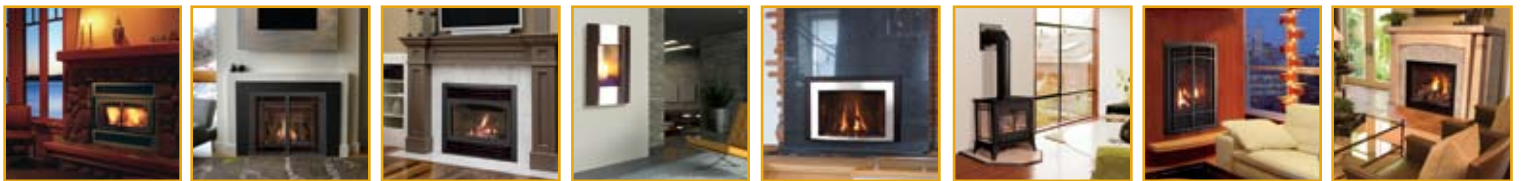
_____ " High (B)



Your Fireplace Dimensions	Air-Seal Door System will fit your fireplace if your dimensions are:							
	Model 632		Model 634		Model 635		Model 636	
	At Least	Less Than	At Least	Less Than	At Least	Less Than	At Least	Less Than
A	30"	35 1/2"	31 1/2"	36 1/2"	31 1/2"	36 1/2"	35 1/4"	43"
B	19 1/2"	22 1/2"	22 1/2"	24 1/2"	24"	27 1/2"	23 7/8"	29 1/2"

Custom size faces also available - contact your local dealer.

Kozy Heat Product Line



In order to continually provide the highest quality product available, features/options, specifications & dimensions are subject to change. Refer to the unit installation manual for complete installation instructions. Installation must conform with local building codes.

Manufactured by Hussong Mfg. Co. Inc.
204 Industrial Park Drive, Lakefield, MN 56150
8-11 Phone 1-800-253-4904 www.kozyheat.com

