



# #231 ZC & #241 ZC

Zero Clearance Woodburning Fireplaces  
(with optional gas conversion)



Warmth, coziness, style and quality. . .

*From our family to yours.*

# Designer Options & Accessories

Doors



Gold door



Black door



Nickel door

Three door models available - Arched door only

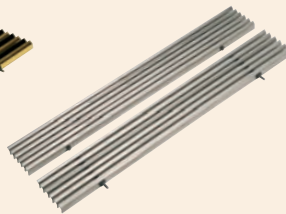
Grill Sets



Brass grills



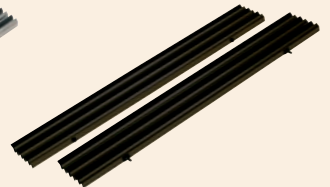
Brass accent grills



Brushed nickel grills



Brushed nickel accent grills



Black grills



Gas log conversion kit (optional)



Ash drawer (optional)



231 ZC Black door with black grills



231 ZC Nickel door with nickel grills

# A fireplace for almost any place. . .

A perfect fit. For both your space and your lifestyle. These Kozy Heat fireplaces bring you the best of both worlds. Because they're zero clearance, you can install them almost anywhere. Available as a traditional woodburning fireplace with optional gas conversion - whatever your lifestyle demands.

Kozy Heat... Quality Fireplaces for Life.



Model	Fuel Option	High BTUs	Efficiency
231 ZC and 241 ZC Wood	Wood	65,000	73%
KLS-2000 Gas Conversion	NG or LP	45,000	-

### Standard Features

- Secondary combustion chamber
- High quality Pyro-Ceram™ glass 16 1/2" x 11" (231 ZC) 12" x 14" (241 ZC)
- Air-wash system (keeps viewing area clean)
- Air-seal cast iron doors
- Zero clearance
- Large burning area – fits up to 22" logs
- Adapts to an 8" HT class A insulated chimney
- 10-year limited warranty
- 3.19 cu. ft. firebox

### Optional Features

- Three (3) door models available (black, gold or nickel doors - arched door only)
- Outside air kit - closure and non-closure vents available
- Decorative grills (several styles/finishes available)
- Arched door trim - brass
- Arched face trim - brass
- Outer face trim - brass (241 ZC)
- Fan kit (2 - 110 CFM)
- Arched lintel iron
- 8" B-vent heat duct kit
- Expanded metal face (for use with facing material)
- Grill extension
- Ash drawer
- KLS gas log conversion kit

### Safety

- Tested by Warnock Hersey and complies with U.L. standard 127 (7/90) and CAN/ULC-S610-M87
- EPA exempt
- Air seal cast iron doors
- Pyro-Ceram™ glass
- Intake and exhaust air dampers
- Uses 100% outside air for combustion

### Chimney Termination

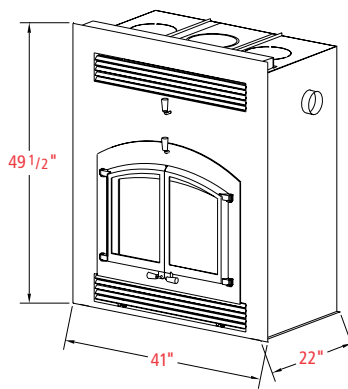
- 8" diameter, class A, 2100°, insulated double-wall metal chimney
- Minimum chimney height - 10'
- Maximum 30° elbows
- Optional 8" B-vent heat ducts - maximum - 10' in any direction (except down, this will cause a heat sink)

### Combustion Air Termination

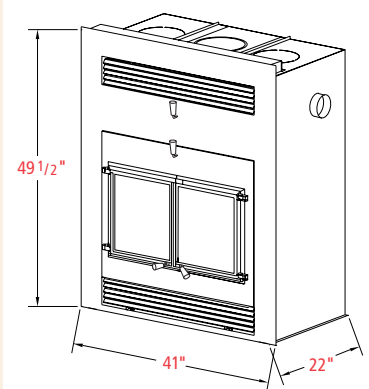
- 4" diameter 30 ga galvanized pipe (minimum thickness)
- Maximum termination - 26'
- Runs up to 10' - pipe size - 4"
- Runs between 10' - 26' - pipe size - 6"
- Elbows - maximum - 3
- Do not terminate into attic or garage
- Clearance 3' below chimney if terminating beside chase

### Clearances

- Unit back to wood enclosure - 1/2"
- Unit sides to wood enclosure - 1/2"
- Unit door to an adjacent wall - 16"
- Heat vents to ceiling - 10"
- Flooring (hearth)
  - Depth - front of fuel opening (non-raised hearth) - 24"
  - front of fuel opening (raised hearth 8") - 16"
  - Width - from sides of fuel opening - 8"
  - from heat duct - 8" vents - 2"
- Top of grill opening to mantel using both 8" heat ducts - 6" not using 8" heat ducts - 11"



**#231 ZC Model**  
Weight - 542 lbs.



**#241 ZC Model**  
Weight - 542 lbs.



Manufactured by Hussong Mfg. Co. Inc.  
204 Industrial Park Drive, Lakefield, MN 56150  
Phone 1-800-253-4904 www.kozyheat.com

In order to continually provide the highest quality product available, specifications and dimensions are subject to change. Refer to the unit installation manual for complete installation instructions. Installation must conform with local building codes.

**10 Year Warranty**

**For complete information and installation instructions, contact your Kozy Heat Dealer at:**